

Ice-O-Matic[®]

SERVICE PARTS MANUAL

ICE SERIES CUBERS

MODEL-ICE0250A1,A2,A3-T1,T2,T3-W1,W2,W3

MODEL-ICE0400A1,A2-T1,T2-W1,W2

MODEL-ICE0500A1,A2-T1,T2-W1,W2-R1,R2,R3

MODEL-ICE0606A1,A2-T1,T2-W1,W2-R1,R2,R3



Ice-O-Matic
11100 East 45th Ave
Denver, Colorado 80239

14-1006

Date 11/4/15

ICE Series Service Parts

This parts list contains the service parts available for the ICE Series icemakers.

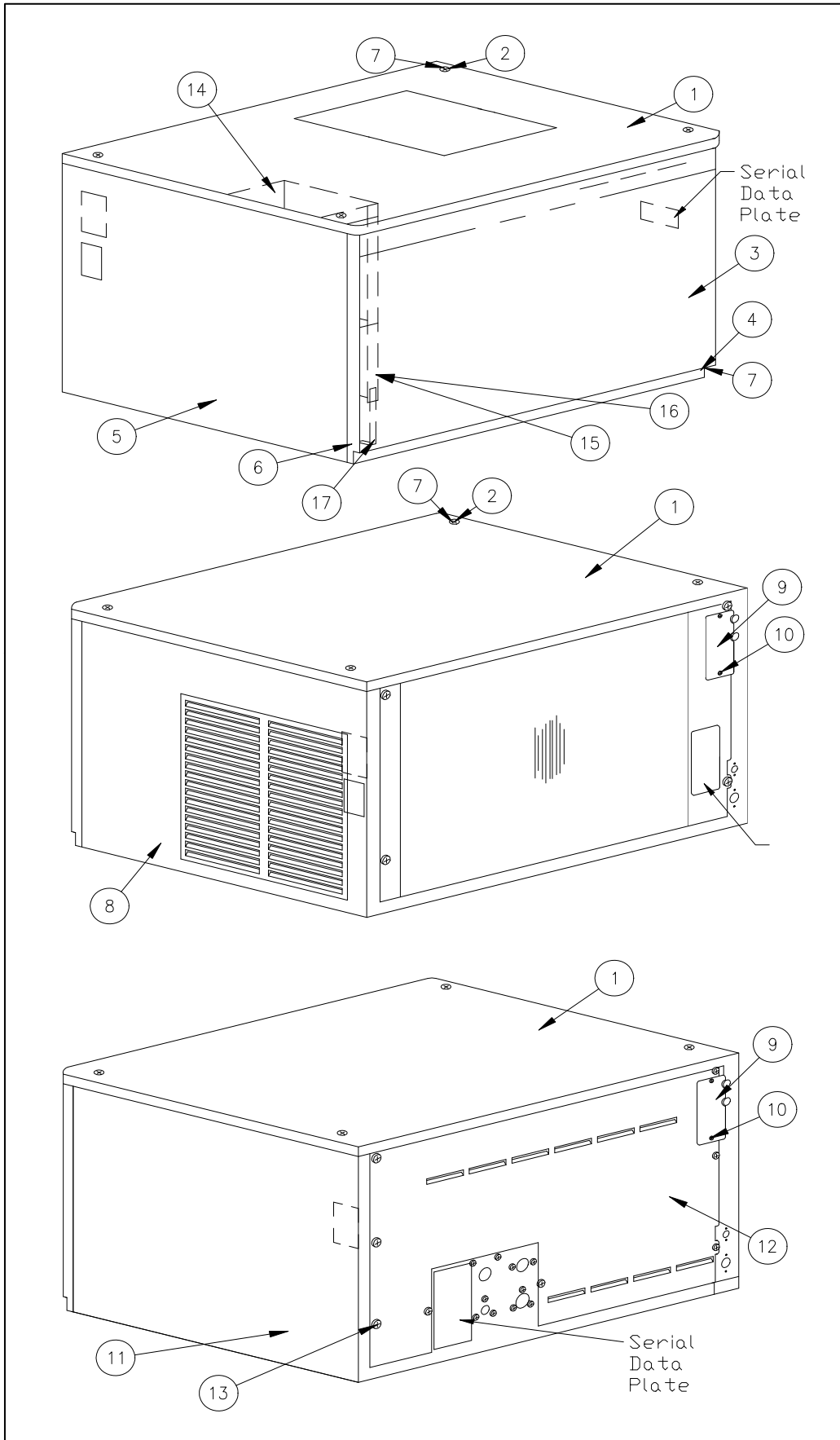
Check the model number on the data plate and refer to the correct listing for the specific component.

Check carefully that the correct part is identified and ordered.

Table of Contents	Page 1
Exterior Components	Page 2 - 3
Interior Components-Front View	Page 4 - 5
Air Cooled	Page 6 - 7
Water Cooled	Page 8 - 9
Remote	Page 10 - 11
Control Box	Page 12 - 13
Specific Compressor Components	Page 13
Harvest Assist Assembly	Page 14 - 15
Remote Condenser	Page 16 - 17

The ICE Series Service manual is available separately, Part number 9081270-01

Ice-O-Matic
11100 East 45th Ave.
Denver Co. 80239
800-423-3367



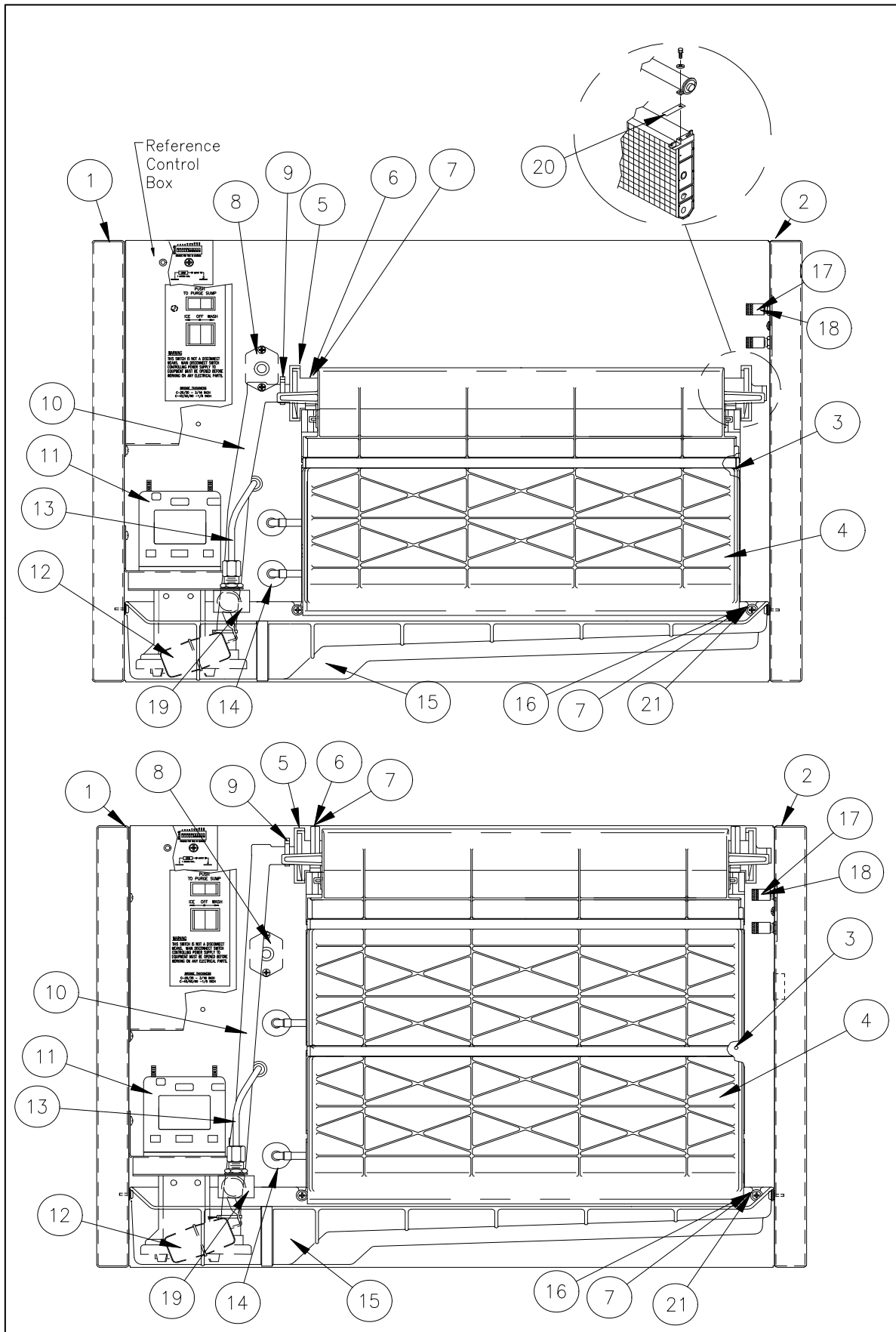
ICE Series Service Parts

Exterior Components

Item	Model Number					Description
No.	ICE0250	ICE0400	ICE0406	ICE0500	ICE0606	
1	2101285-01	2101285-01	2101285-01	2101285-01	2101285-01	*Top Panel NLA
1	2101280-01	2101280-01	2101280-01	2101280-01	2101280-01	*Top Panel- Top Discharge NLA
2	9031098-02	9031098-02	9031098-02	9031098-02	9031098-02	Top Panel Screw
3	2031465-01	2031465-01	2031465-01	2031465-01	2031465-01	*Front Panel NLA
4	9031098-02	9031098-02	9031098-02	9031098-02	9031098-02	Front Panel Screw
5	3021770-01	3021770-01	3021770-01	3021770-01	3021770-01	*LH Side Panel NLA
6	9031046-02	9031046-02	9031046-02	9031046-02	9031046-02	Side Panel Screws
7	9031141-01	9031141-01	9031141-01	9031141-01	9031141-01	Plastic Nut Insert
8	2031468-01	2031468-01	2031468-01	2031468-01	2031468-01	*RH Side Panel- Louvered NLA
9	3012681-01	3012681-01	3012681-01	3012681-01	3012681-01	Junction Box Cover
10	9031046-01	9031046-01	9031046-01	9031046-01	9031046-01	Junction Box Cover Screw
11	3021774-01	3021774-01	3021774-01	3021774-01	3021774-01	*RH Side Panel NLA
12	3021742-01	3021742-01	3021742-01	3021742-01	3021742-01	Rear Panel
13	9031046-01	9031046-01	9031046-01	9031046-01	9031046-01	Rear Panel Screw
14	3012905-01	3012905-01	3012905-01	3012905-01	3012905-01	Control Box Top Cover
15	3012904-01	3012904-01	3012904-01	3012904-01	3012904-01	Control Box Side Cover
16	9031046-01	9031046-01	9031046-01	9031046-01	9031046-01	Control Box Screws
17	3012893-01	3012893-01	3012893-01	3012893-01	3012893-01	Water Trough Support

Item	Model Number			Description
No.	ICE0305	ICE0405	ICE0605	
1	2101285-01	2101285-01	2101285-01	*Top Panel NLA
1	2101280-01	2101280-01	2101280-01	*Top Panel- Top Air NLA
2	9031098-02	9031098-02	9031098-02	Top Panel Screw
3	2031465-01	2031465-01	2031465-01	*Front Panel NLA
4	9031098-02	9031098-02	9031098-02	Front Panel Screw
5	3021770-01	3021770-01	3021770-01	*LH Side Panel NLA
6	9031046-02	9031046-02	9031046-02	Side Panel Screws
7	9031141-01	9031141-01	9031141-01	Plastic Nut Insert
8	2031468-01	2031468-01	2031468-01	*RH Panel- Louvered NLA
9	3012681-01	3012681-01	3012681-01	Junction Box Cover
10	9031046-01	9031046-01	9031046-01	Junction Box Cover Screw
11	3021774-01	3021774-01	3021774-01	*RH Side Panel NLA
12	3021742-01	3021742-01	3021742-01	Rear Panel
13	9031046-01	9031046-01	9031046-01	Rear Panel Screw
14	3012905-01	3012905-01	3012905-01	Control Box Top Cover
15	3012904-01	3012904-01	3012904-01	Control Box Side Cover
16	9031046-01	9031046-01	9031046-01	Control Box Screws
17	3012893-01	3012893-01	3012893-01	Water Trough Support

***Note: Cabinet Panels are NO LONGER AVAILABLE**

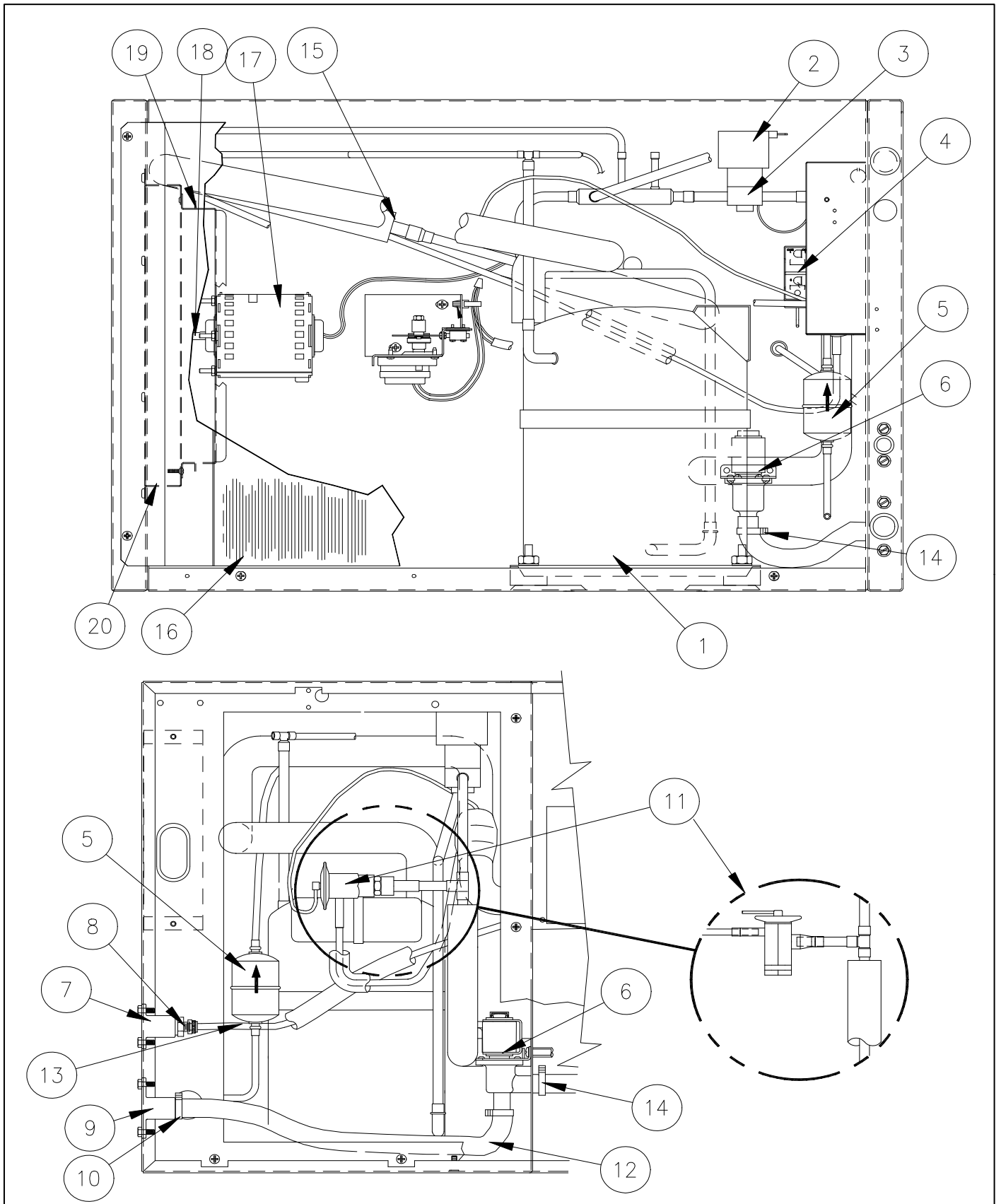


ICE Series Service Parts

Front Interior

Item		Model Number				Description
No.	ICE0250	ICE0400	ICE0406	ICE0500	ICE0606	
1	2021524-01	2021524-01	2021524-01	2021524-01	2021524-01	Left Hand Frame Panel
2	2021523-01	2021523-01	2021523-01	2021523-01	2021523-01	Right Hand Frame Panel
3	2051156-81	2051148-81	2051148-81	2051148-81	2051148-81	Evaporator-Full Cube
3	2051156-82	2051148-82	2051148-82	2051148-82	2051148-82	Evaporator-Half Cube
4	9051154-07	9051154-08	9051154-08	9051154-08	9051154-08	Evaporator Splash Curtain
5	2041338-01	2041338-01	2041338-01	2041338-01	2041338-01	Water Distribution Tube
6	9031122-01	9031122-01	9031122-01	9031122-01	9031122-01	Thumb Screw
7	9031004-19	9031004-19	9031004-19	9031004-19	9031004-19	Rubber Washer
8	9041051-04	9041051-04	9041051-04	9041051-04	9041051-04	High Pressure Control
9	9021010-04	9021010-04	9021010-04	9021010-04	9021010-04	Clamp
10	9051142-02	9051142-01	9051142-01	9051142-01	9051142-01	Water Pump Tube
11	9161076-01	9161076-01	9161076-02	9161076-01	9161076-02	Water Pump
	3012509-01	3012509-01	3012509-01	3012509-01	3012509-01	Water Pump Bracket
12	9131111-101	9131111-101	9131111-101	9131111-101	9131111-101	Float, Includes Fittings
13	6021032-01	6021032-01	6021032-01	6021032-01	6021032-01	Water Float Tube (26")
14	9051001-09	9051001-09	9051001-09	9051001-09	9051001-09	Snap Bushing
15	9051537-01	9051537-01	9051537-01	9051537-01	9051537-01	Water Return Trough
16	9031046-24	9031046-24	9031046-24	9031046-24	9031046-24	Water Return Trough Screw
17	9091086-02	9091086-02	9091086-02	9091086-02	9091086-02	Valve Core
18	9091086-03	9091086-03	9091086-03	9091086-03	9091086-03	Valve Cap
19	9131026-02	9131026-02	9131026-02	9131026-02	9131026-02	Caplug
20	3012747-01	N/A	N/A	N/A	N/A	Bracket Curtain Stopper
21	9031141-01	9031141-01	9031141-01	9031141-01	9031141-01	Plastic Nut Insert

Item		Model Number			Description
No.	ICE0305	ICE0405	ICE0605		
1	2021524-01	2021524-01	2021524-01	Left Hand Frame Panel	
2	2021523-01	2021523-01	2021523-01	Right Hand Frame Panel	
3	2051156-81	2051148-81	2051148-81	Evaporator-Full Cube	
3	2051156-82	2051148-82	2051148-82	Evaporator-Half Cube	
4	9051154-07	9051154-08	9051154-08	Evaporator Splash Curtain	
5	2041338-01	2041338-01	2041338-01	Water Distribution Tube	
6	9031122-01	9031122-01	9031122-01	Thumb Screw	
7	9031004-19	9031004-19	9031004-19	Rubber Washer	
8	9041051-04	9041051-04	9041051-04	High Pressure Control	
9	9021010-04	9021010-04	9021010-04	Clamp	
10	9051142-02	9051142-01	9051142-01	Water Pump Tube	
11	9161076-02	9161079-03	9161079-03	Water Pump	
	3012509-01	3012509-01	3012509-01	Water Pump Bracket	
12	9131111-101	9131111-101	9131111-101	Float, Includes Fittings	
13	6021032-01	6021032-01	6021032-01	Water Float Tube (26")	
14	9051001-09	9051001-09	9051001-09	Snap Bushing	
15	9051537-01	9051537-01	9051537-01	Water Return Trough	
16	9031046-24	9031046-24	9031046-24	Water Return Trough Screw	
17	9091086-02	9091086-02	9091086-02	Valve Core	
18	9091086-03	9091086-03	9091086-03	Valve Cap	
19	9131026-02	9131026-02	9131026-02	Caplug	
20	3012747-01	N/A	N/A	Curtain Stopper	
21	9031141-01	9031141-01	9031141-01	Plastic Nut Insert	



ICE Series Service Parts

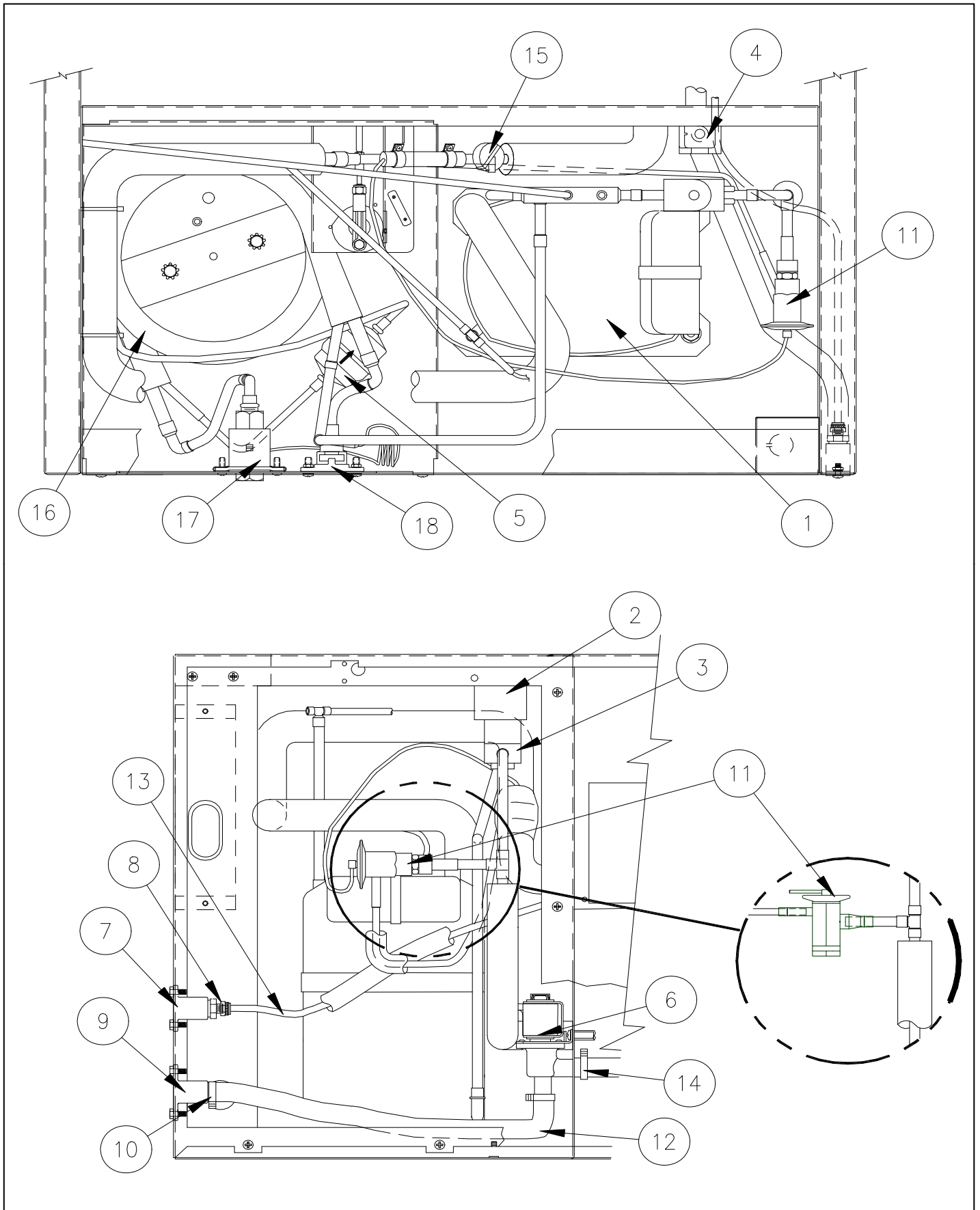
Air Cooled

Item No.	Model Number					Description
	ICE0250	ICE0400	ICE0406	ICE0500	ICE0606	
1	9181117-11	9181086-11	9181086-12	9181085-12	9181112-11	Compressor Bold=NLA
1	9181121-11					Compressor Beg. Rev 2
2	9151123-03	9151123-03	9151123-04	9151123-03	9151123-04	Hot Gas Valve Coil
3	9151123-01	9151123-01	9151123-01	9151123-01	9151123-01	Hot Gas Valve Body
4	9041104-101A	9041104-101A	9041104-101A	9041104-101A	9041104-101A	Low Pressure Control
5	9151163-01	9151163-01	9151163-01	9151163-01	9151163-01	Filter Drier
6	9041105-01	9041105-01	9041105-02	9041105-01	9041105-02	Purge Valve - 9041086 is NLA
6.1	9041105-101	9041105-101	9041105-101	9041105-101	9041105-101	Purge Valve Mounting Bracket
7	9091074-01	9091074-01	9091074-01	9091074-01	9091074-01	Drop Adapter
8	9091083-01	9091083-01	9091083-01	9091083-01	9091083-01	Water Inlet Fitting
9	9091140-01	9091140-01	9091140-01	9091140-01	9091140-01	Purge Drain Fitting
10	9021010-04	9021010-04	9021010-04	9021010-04	9021010-04	Clamp (9021010-03 is NLA)
11	9151006-16	9151006-08	9151006-08	9151006-08	9151006-08	Expansion Valve
11	9151154-101					Expansion Valve (Beg. Ser. F3)
11		9151149-101	9151149-101	9151149-101		Expansion Valve (Beg. Ser. K1)
11					9151151-101	Expansion Valve (Beg. Ser. B2)
12	9051280-01	9051280-01	9051280-01	9051280-01	9051280-01	Purge Drain Hose
13	6021032-01	6021032-01	6021032-01	6021032-01	6021032-01	Tube (2.17 Ft.)
14	9021010-04	9021010-04	9021010-04	9021010-04	9021010-04	Clamp
15	9041087-03	9041087-03	9041087-03	9041087-03	9041087-03	High Temp Safety
16	9141104-01	9141106-01	9141106-01	9141113-01	9141113-01	Air Condenser
16				9141120-01		Air Cond Beg Ser E217-07212-Z
16					9141120-01	Air Cond Beg Ser F2
17	1051209-01	1051209-01		1051209-01		Fan Motor 9161089-02 is NLA AO Smith
17			1051209-03		1051209-03	Fan Motor 9161089-03 is NLA AO Smith
18	9131332-02	9131332-02	9131332-02	9131332-02	9131332-02	Fan Blade For 9161089 Fan Motor
19	3012527-01	3012527-01	3012527-01	3012527-01	3012527-01	Fan Motor Bracket For 9161089 Motor
17	9161124-01	9161124-01	9161124-03	9161124-01	9161124-03	Fan Motor In Kit, EM&S, 1051209
18	9131383-01	9131383-01	9131383-01	9131383-01	9131383-01	Fan Blade in Kit, 1051209
19	3013252-01	3013252-01	3013252-01	3013252-01	3013252-01	Fan Motor Bracket in Kit, 1051209
20	3012526-01	3012526-01	3012526-01	3012526-01	3012526-01	Fan Shroud

Note: When installing a 9041105 Series Purge Valve the 9041105-101 Mounting Bracket is required.

No.	ICE0305	ICE0405	ICE0605	Description
1	9101088-11	9181088-11	9181112-12	Compressor Bold=NLA
2	9151123-04	9151123-04	9151123-04	Hot Gas Valve Coil
3	9151123-01	9151123-01	9151123-01	Hot Gas Valve Body
4	9041104-101A	9041104-101A	9041104-101A	Low Pressure Control
5	9151163-01	9151163-01	9151163-01	Filter Drier
6	9041105-02	9041105-02	9041105-02	Purge Valve - 9041086 is NLA
6.1	9041105-101	9041105-101	9041105-101	Purge Valve Mounting Bracket
7	9091074-01	9091074-01	9091074-01	Drop Adapter
8	9091083-01	9091083-01	9091083-01	Water Inlet Fitting
9	9091140-01	9091140-01	9091140-01	Purge Drain Fitting
10	9021010-04	9021010-04	9021010-03	Clamp (9021010-03 is NLA)
11	9151006-16	9151006-08	9151006-08	Expansion Valve
11	9151154-101			Expansion Valve (Beg. Ser. F3)
11		9151149-101		Expansion Valve (Beg. Ser. K1)
11			9151151-101	Expansion Valve (Beg. Ser. B2)
12	9051280-01	9051280-01	9051280-01	Purge Drain Hose
13	6021032-01	6021032-01	6021032-01	Tube (2.17 Ft.)
14	9021010-04	9021010-04	9021010-04	Clamp
15	9041087-03	9041087-03	9041087-03	High Temp Safety
16	9141106-01	9141106-01	9141113-01	Air Condenser
16	9141104-01			Air Cond Beg Rev 2
17	9161108-03	9161089-03	9161089-03	Fan Motor
18	9131333-01	9131332-02	9131332-02	Fan Blade
19	3012527-01	3012527-01	3012527-01	Fan Motor Bracket
20	3012526-01	3012526-01	3012526-01	Fan Shroud

Note: When installing a 9041105 Series Purge Valve the 9041105-101 Mounting Bracket is required.



ICE Series Service Parts

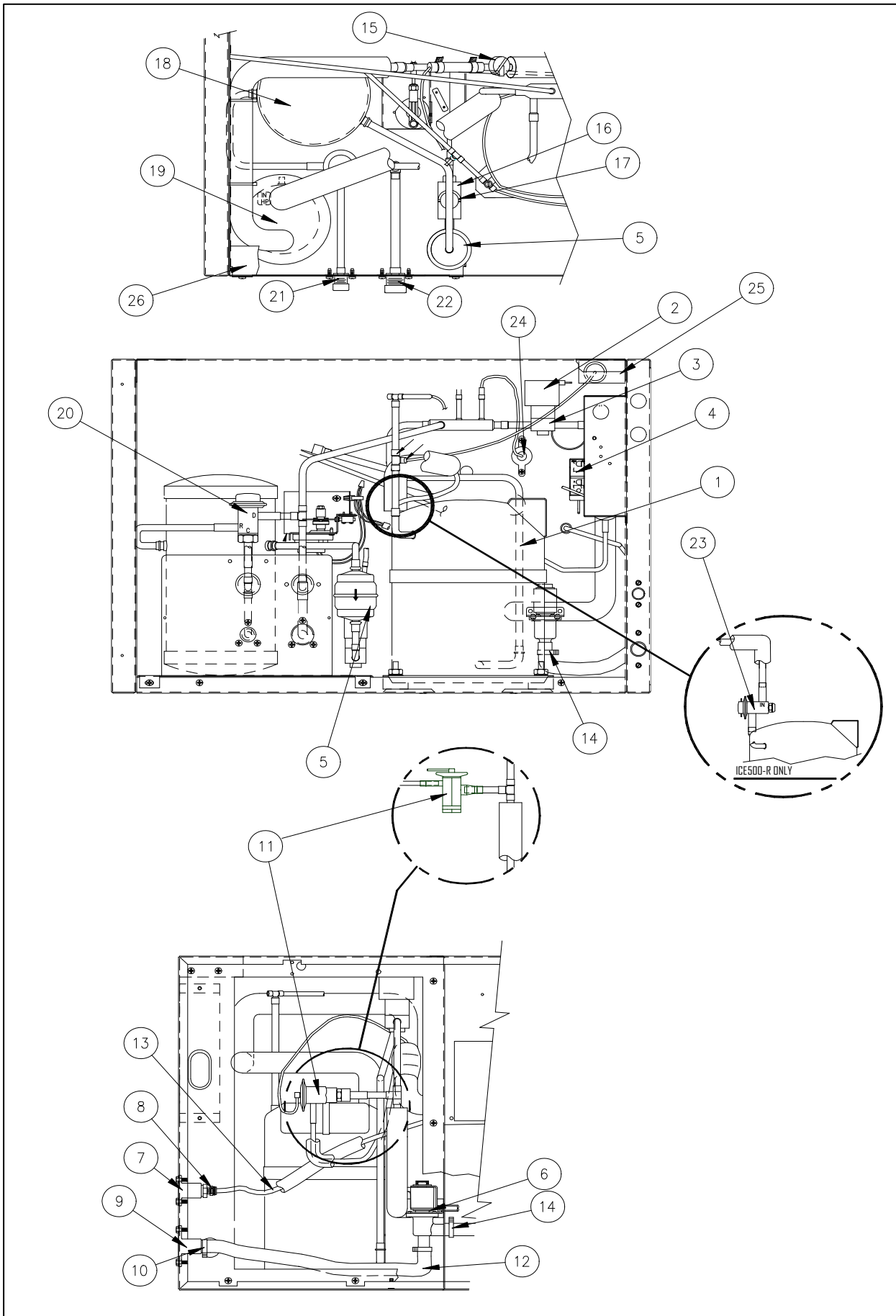
Water Cooled

Item		Model Number				Description
No.	ICE0250	ICE0400	ICE0406	ICE0500	ICE0606	
1	9181117-11	9181086-11	9181086-12	9181085-12	9181112-11	Compressor Bold=NLA
1	9181121-11					Compressor Beg. Rev 2
2	9151123-03	9151123-03	9151123-04	9151123-03	9151123-04	Hot Gas Valve Coil
3	9151123-01	9151123-01	9151123-01	9151123-01	9151123-01	Hot Gas Valve Body
4	9041104-101A	9041104-101A	9041104-101A	9041104-101A	9041104-101A	Low Pressure Control
5	9151163-01	9151163-01	9151163-01	9151163-01	9151163-01	Filter Drier
6	9041105-01	9041105-01	9041105-02	9041105-01	9041105-02	Purge Valve - 9041086 is NLA
6.1	9041105-101	9041105-101	9041105-101	9041105-101	9041105-101	Purge Valve Mounting Bracket
7	9091074-01	9091074-01	9091074-01	9091074-01	9091074-01	Drop Adapter
8	9091083-01	9091083-01	9091083-01	9091083-01	9091083-01	Water Inlet Fitting
9	9091119-01	9091119-01	9091119-01	9091119-01	9091119-01	Purge Drain Fitting
10	9021010-04	9021010-04	9021010-04	9021010-04	9021010-04	Clamp (9021010-03 is NLA)
11	9151006-21	9151006-08	9151006-08	9151006-08	9151006-08	Expansion Valve
11	9151154-101					Expansion Valve (Beg. Ser. F3)
11		9151149-101	9151149-101	9151149-101		Expansion Valve (Beg. Ser. K1)
11					9151151-101	Expansion Valve (Beg. Ser. B2)
12	9051280-01	9051280-01	9051280-01	9051280-01	9051280-01	Purge Drain Hose
13	6021032-01	6021032-01	6021032-01	6021032-01	6021032-01	Tube (2.17 Ft.)
14	9021010-04	9021010-04	9021010-04	9021010-04	9021010-04	Clamp
15	9041087-03	9041087-03	9041087-03	9041087-03	9041087-03	High Temp Safety
16	9141061-01	9141023-01	9141024-01	9141024-01	9141024-01	Water Condenser
17	9041059-01	9041059-01	9041059-01	9041059-01	9041059-01	Water Valve
18	9091063-02	9091063-02	9091063-02	9091063-02	9091063-02	Drop Adapter 1/2"

Note: When installing a 9041105 Series Purge Valve the 9041105-101 Mounting Bracket is required.

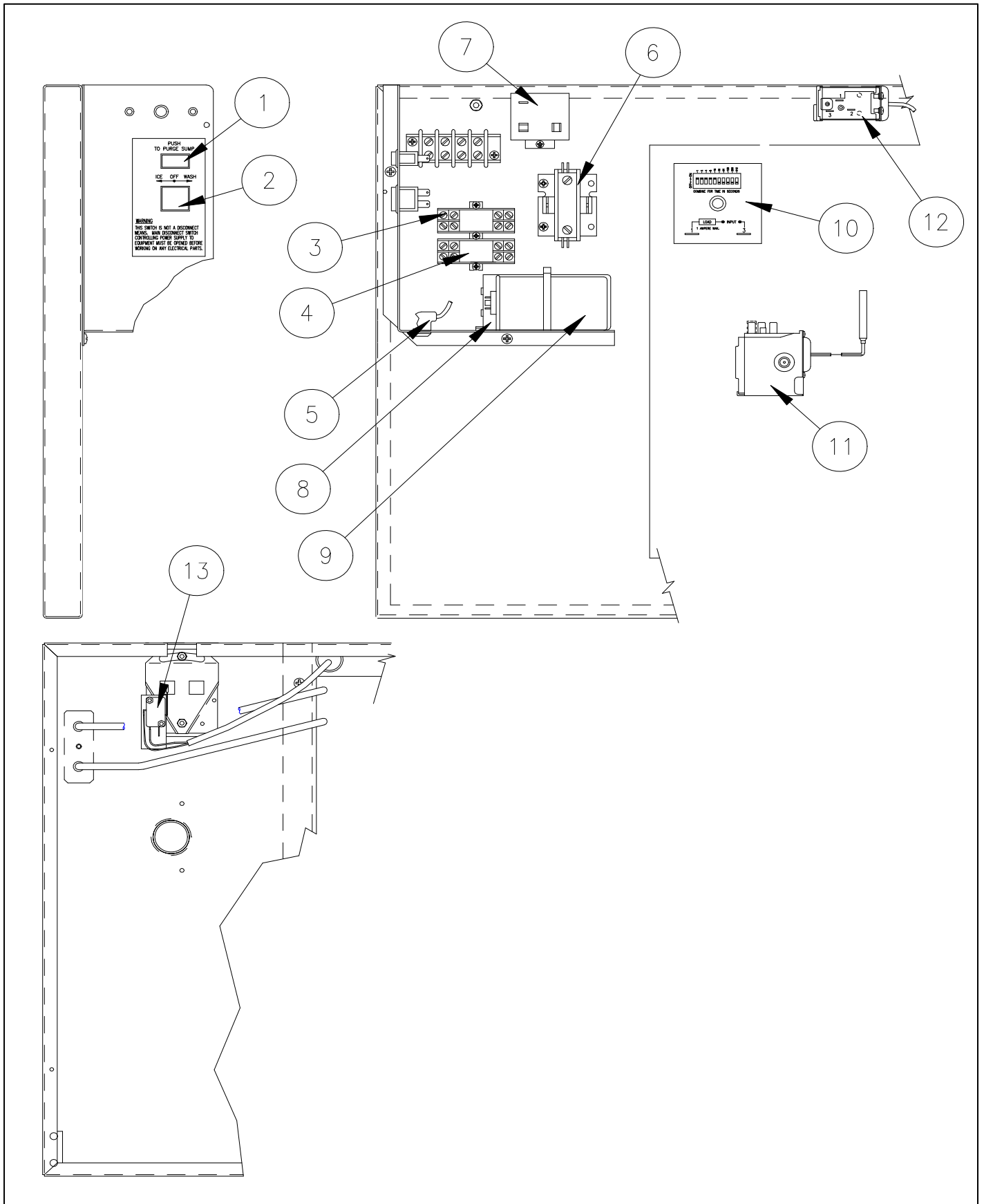
Item		Model Number			Description
No.	ICE0305	ICE0405	ICE0605		
1	9101088-11	9181088-11	9181112-12		Compressor Bold=NLA
2	9151123-04	9151123-04	9151123-04		Hot Gas Valve Coil
3	9151123-01	9151123-01	9151123-01		Hot Gas Valve Body
4	9041104-101A	9041104-101A	9041104-101A		Low Pressure Control
5	9151163-01	9151163-01	9151163-01		Filter Drier
6	9041105-02	9041105-02	9041105-02		Purge Valve - 9041086 is NLA
6.1	9041105-101	9041105-101	9041105-101		Purge Valve Mounting Bracket
7	9091074-01	9091074-01	9091074-01		Drop Adapter
8	9091083-01	9091083-01	9091083-01		Water Inlet Fitting
9	9091119-01	9091119-01	9091119-01		Purge Drain Fitting
10	9021010-04	9021010-04	9021010-04		Clamp (9021010-03 is NLA)
11	9151006-16	9151006-08	9151006-08		Expansion Valve
11	9151154-101				Expansion Valve (Beg. Ser. F3)
11		9151149-101			Expansion Valve (Beg. Ser. K1)
11			9151151-101		Expansion Valve (Beg. Ser. B2)
15	9041087-03	9041087-03	9041087-03		High Temp Safety
16	9141061-01	9141024-01	9141024-01		Water Condenser
17	9041059-01	9041059-01	9041059-01		Water Valve
18	9091063-02	9091063-02	9091063-02		Drop Adapter 1/2"

Note: When installing a 9041105 Series Purge Valve the 9041105-101 Mounting Bracket is required.



Item		Model Number			Description
No.	ICE0500	ICE0605	ICE0606		
1	9181085-12	9181112-12	9181112-11	Compressor Bold=NLA	
2	9151123-03	9151123-04	9151123-04	Hot Gas Valve Coil	
3	9151123-01	9151123-01	9151123-01	Hot Gas Valve Body	
4	9041104-101A	9041104-101A	9041104-101A	Low Pressure Control	
5	9151163-03	9151163-03	9151163-03	Filter Drier	
6	9041105-01	9041105-02	9041105-02	Purge Valve - 9041086 is NLA	
6.1	9041105-101	9041105-101	9041105-101	Purge Valve Mounting Bracket	
7	9091074-01	9091074-01	9091074-01	Drop Adapter	
8	9091083-01	9091083-01	9091083-01	Water Inlet Fitting	
9	9091140-01	9091140-01	9091140-01	Purge Drain Fitting	
10	9021010-04	9021010-04	9021010-04	Clamp (9021010-03 is NLA)	
11	9151006-08	9151006-08	9151006-08	Expansion Valve	
11	9151149-101			Expansion Valve (Beg. Ser. K1)	
11		9151151-101	9151151-101	Expansion Valve (Beg. Ser. B2)	
12	9051280-01	9051280-01	9051280-01	Purge Drain Hose	
13	6021032-01	6021032-01	6021032-01	Tube (2.17 Ft.)	
14	9021010-04	9021010-04	9021010-04	Clamp	
15	9041087-03	9041087-03	9041087-03	High Temp Safety	
16	9151123-02	9151123-02	9151123-02	Liquid Line Solenoid Body	
17	9151123-03	9151123-04	9151123-04	Liquid Line Solenoid Coil	
18	9151074-01	9151074-01	9151074-01	Receiver	
19	2091197-01	N/A	N/A	Accumulator	
20	9151027-04	9151027-04	9151027-04	Mixing Valve	
21	9091001-11	9091001-11	9091001-11	Remote Fitting 3/8"	
22	9091001-12	9091001-12	9091001-12	Remote Fitting 1/2"	
23	9151146-01	N/A	N/A	CPR Valve (9151086-01 is NLA)	
24	9041051-04	9041051-04	9041051-04	High Pressure Control	
25	9041092-02	9041092-02	9041092-02	Pump Down Control (9041040-01 is NLA)	
26	3012724-01	3012724-01	3012724-01	Rear Brace	

Note: When installing a 9041105 Series Purge Valve the 9041105-101 Mounting Bracket is required.



Item	Model Number					Description
No.	ICE0250	ICE0400	ICE0406	ICE0500	ICE0606	
1	1051208-01	1051208-01	1051208-01	1051208-01	1051208-01	Purge Switch 9101139-03 is NLA
2	9101349-01	9101349-01	9101349-01	9101349-01	9101349-01	ON-OFF-WASH Switch*
3	9101083-01	9101083-01	9101083-01	9101083-01	9101083-01	Relay Socket
4	9101084-01	9101084-01	9101084-02	9101084-01	9101084-02	Relay
5	9101218-12	9101218-12	9101218-12	9101218-12	9101218-12	Water Pump Cord
6	9101002-07	9101002-03	9101002-04	9101002-03	9101002-04	Contactator
7	9181004-27	9181010-14	9181004-07	9181010-12	9181010-12	Compressor Start Relay
8	9181003-39	9181003-17	9181003-05	9181003-26	9181003-26	Start Capacitor
9	N/A	N/A	N/A	9181009-17	9181009-11	Run Capacitor
10	9101148-01	9101148-01	9101148-01	9101148-01	9101148-01	Timer
11	9041104-101A	9041104-101A	9041104-101A	9041104-101A	9041104-101A	Low Pressure Timer Initiate
12	N/A	N/A	N/A	9041092-02	9041092-02	Pump Down Control**
13	9101124-02	9101124-02	9101124-02	9101124-02	9101124-02	Bin Switch

Note* 9101195-01 ON-OFF-WASH switch is NLA

Note** 9041040-01 is NLA, replace by 9041092-02

Item	Model Number			Description
No.	ICE0305	ICE0405	ICE0605	
1	1051208-01	1051208-01	1051208-01	Purge Switch 9101139-03 is NLA
2	9101349-01	9101349-01	9101349-01	ON-OFF-WASH Switch* 9101195-01 is NLA
3	9101083-01	9101083-01	9101083-01	Relay Socket
4	9101084-02	9101084-02	9101084-02	Relay
5	9101218-12	9101218-12	9101218-12	Water Pump Cord
6	9101002-04	9101002-04	9101002-04	Contactator
7	9181004-04	9181004-04	9181010-10	Compressor Start Relay
8	9181003-08	9181003-08	9181003-33	Start Capacitor
9	N/A	N/A	9181009-11	Run Capacitor
10	9101148-01	9101148-01	9101148-01	Timer
11	9041104-101A	9041104-101A	9041104-101A	Low Pressure Timer Initiate
12	N/A	N/A	9041092-02	Pump Down Control**
13	9101124-02	9101124-02	9101124-02	Bin Switch

Note* 9101195-01 ON-OFF-WASH switch is NLA

Note** 9041040-01 is NLA, replace by 9041092-02

Compressor Components **Bold=NLA**

Model Number					Description
ICE0250	ICE0400	ICE0406	ICE0500	ICE0606	
9181121-11	9181086-11	9181086-12	9181085-12	9181112-11	Compressor
9181005-37	9181005-12	9181005-26	9181005-22	Internal	Overload
9181004-27	9181010-14	9181004-07	9181010-12	9181010-12	Relay
9181003-39	9181003-17	9181003-05	9181003-26	9181003-26	Start Capacitor
N/A	N/A	N/A	9181009-17	9181009-11	Run Capacitor

Model Number			Description
ICE0305	ICE0405	ICE0605	
9181088-11	9181088-11	9181112-12	Compressor
9181005-26	9181005-26	Internal	Overload
9181004-04	9181004-04	9181010-10	Relay
9181003-08	9181003-08	9181003-33	Start Capacitor
N/A	N/A	9181009-11	Run Capacitor



1051210-XXA Reference Page 15 for Specific Model Number and Part Number

- The **1051210-XXA** assembly will fit all ICE Models from October 1999 and EC Models.
- Units installed with a double cam switch, either Field installed or Factory installed will require the complete assembly and a potential wiring change as per the New Wiring Diagram included with the assembly.
- Individual component parts are not available for the **1051210-XXA** assembly.
- Individual component parts are No Longer Available for previous version of the Harvest Assist Assembly
- Parts for the **2061962-XX** Harvest Assist Assembly are not compatible with **1051210-XXA** Harvest Assist Assembly.
- Proper assembly and alignment of the parts is critical to proper operation, this includes cam and probe alignment.
- If a **1051210-XXA** assembly fails, it must be returned to Ice-O-Matic.

ICE Series Service Parts

Harvest Assist Assembly

Reference the Model Numbers below for the specific Harvest Assist Assembly

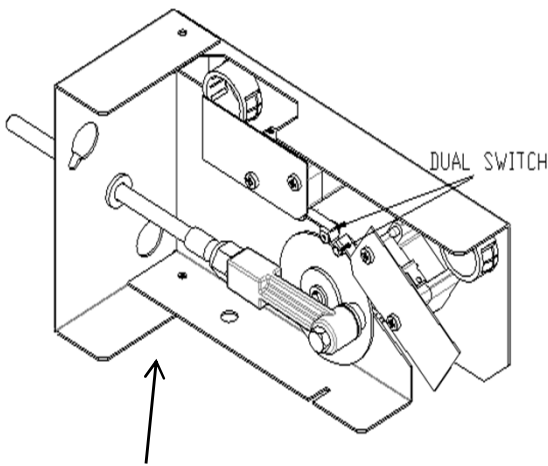
Item No.	Model Number					Description
	ICE0250	ICE0400	ICE0406	ICE0500	ICE0606	
1	1051210-01A	1051210-01A	1051210-02A	1051210-01A	1051210-02A	Complete Assembly
	2061962-01S	2061962-01S	2061962-02S	2061962-01S	2061962-02S	No Longer Available

Item No.	ICE0305	ICE0405	ICE0605	Description
	1	1051210-02A	1051210-02A	
	2061962-02S	2061962-02S	2061962-02S	No Longer Available

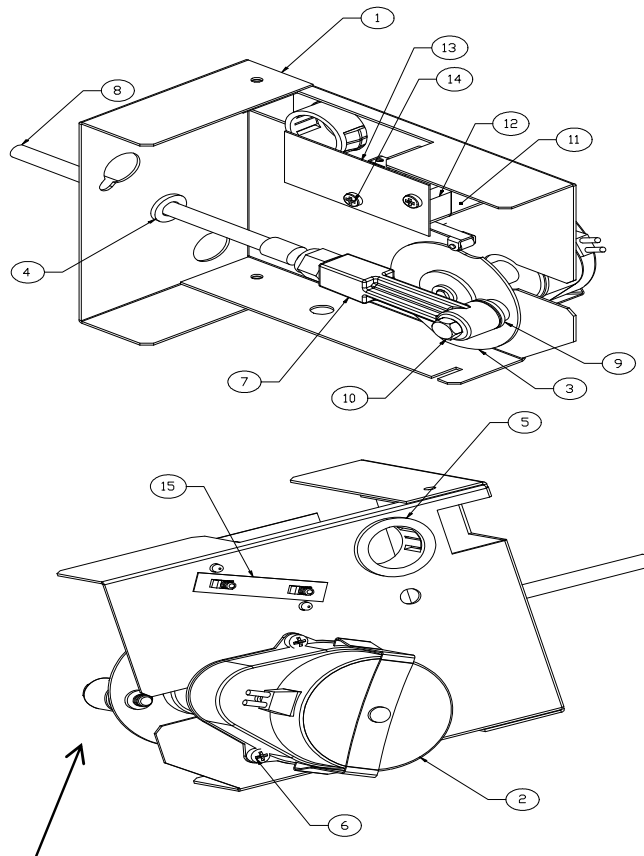
1051210-XXA are only supplied as complete assemblies, individual components are not available.

Please reference the above Model Numbers to insure the correct assembly is supplied

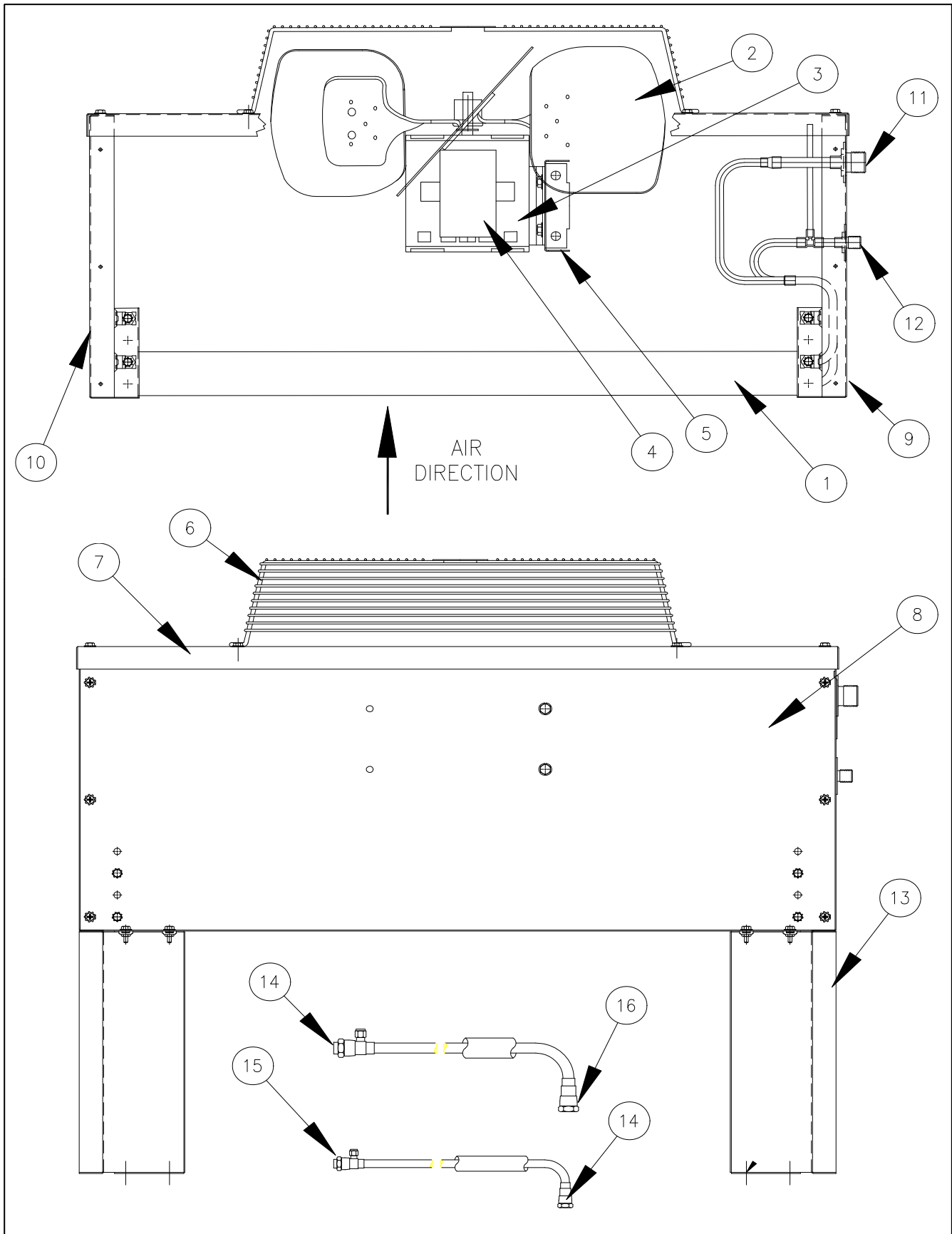
THE DUAL CAM SWITCH HARVEST ASSIST ASSEMBLIES ARE NO LONGER AVAILABLE



1051199-01	No Longer Available
1051200-01	No Longer Available
1051201-01	No Longer Available
1051202-01	No Longer Available
1051207-01	No Longer Available



2061962-01S	No Longer Available
2061962-02S	No Longer Available



ICE Series Service Parts

Remote Condenser

Item		Model Number			Description
No.	ICE0605		ICE0500	ICE0606	
	ERC1062		ERC1002	ERC1062	
1	9141108-01		9141108-01	9141108-01	Condenser
2	9131357-01		9131357-01	9131357-01	Fan Blade
3	9161110-02		9161110-01	9161110-02	Fan Motor
4	9161110-92		9161110-91	9161110-92	Capacitor
5	3012802-01		3012802-01	3012802-01	Fan Motor Brace
6	9131356-01		9131356-01	9131356-01	Fan Guard
7	3012806-01		3012806-01	3012806-01	Top Panel
8	3012793-01		3012793-01	3012793-01	Side Panel
9	3012804-01		3012804-01	3012804-01	Front Panel
10	3012805-01		3012805-01	3012805-01	Rear Panel
11	9091001-07		9091001-07	9091001-07	Coupling Half-Bulkhead-1/2"
12	9091001-01		9091001-01	9091001-01	Coupling Half-Bulkhead-3/8"
13	3012795-01		3012795-01	3012795-01	Mounting Leg
14	9091001-10		9091001-10	9091001-10	Lineset Fitting with Port 1/2"
15	9091001-04		9091001-04	9091001-04	Lineset Fitting with Port 3/8"
16	9091001-08		9091001-08	9091001-08	Lineset Fitting without Port 1/2"
17	9091001-02		9091001-02	9091001-02	Lineset Fitting without Port 3/8"