

Ice-O-Matic[®]

SERVICE PARTS MANUAL

ICE SERIES CUBERS

MODEL - ICE0806A3,A4,A5-W3,W4,W5-R4,R5

MODEL - ICE1006A3-A4,A5-W3,W4-R4-5

Includes 50Hz. and 3 Phase Units



This parts list contains the service parts available for the ICE Series icemakers listed below:

ICE0806 A3,A4,A5-W3,W4,W5 and R4,R5 Includes 50 hz. Models

ICE1006 A3,A4,A5-W3,W4 and R4-5, Includes 50 hz.and 3 Phase Models

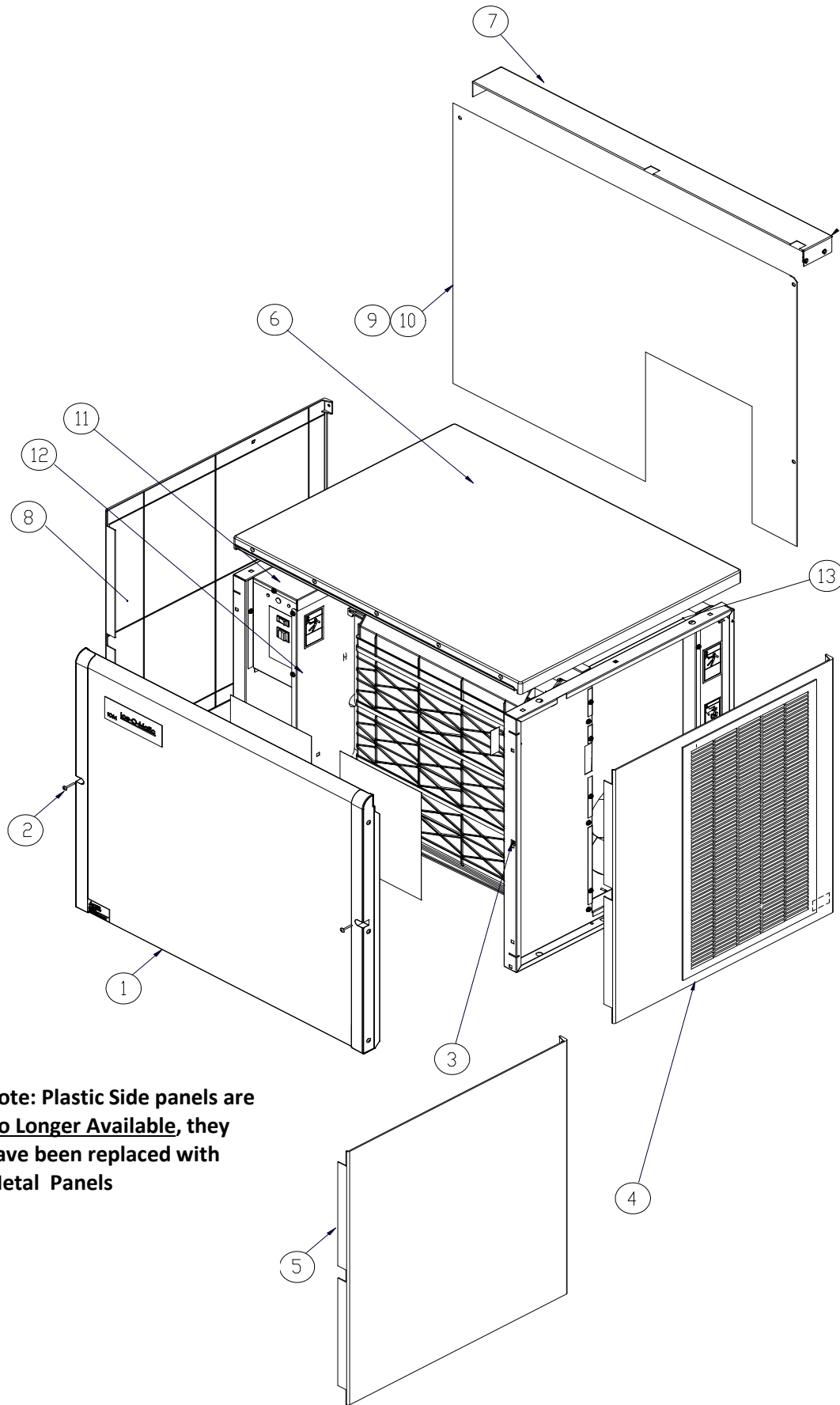
Check the model number on the data plate and refer to the correct listing for the specific component.

Check carefully that the correct part is identified and ordered.

Table of Contents	Page 1
Cabinet Assembly	Page 2 - 3
Evaporator/Water System	Page 4 - 5
Air Cooled and Top Discharge	Page 6 - 7
Water Cooled	Page 8 - 9
Remote	Page 10 - 11
Control Box	Page 12 - 13
Harvest Assist Assembly	Page 14 - 15
Remote Condenser	Page 16 - 17
Compressor Information	Page 18

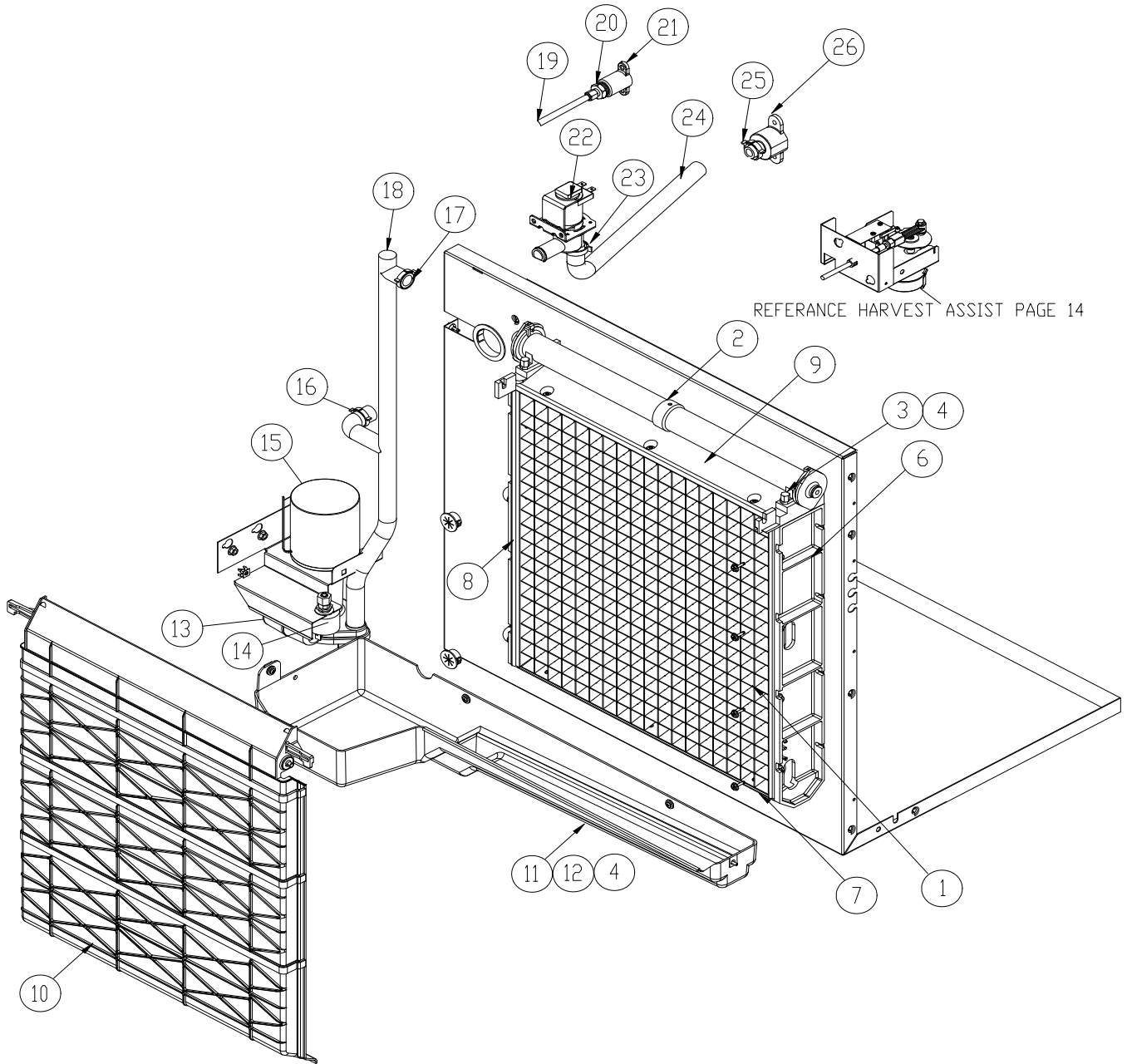
The ICE Series Service Manual is available separately, Part number 9081270-01

Ice-O-Matic
11100 East 45th Ave.
Denver Co. 80239
800-423-3367



**Note: Plastic Side panels are
No Longer Available, they
have been replaced with
Metal Panels**

Item No.	Model Number					Description
	ICE0805	ICE0806	ICE1005	ICE1006	ICE1007	
1	2031511-02S	2031511-02S	2031511-02S	2031511-02S	2031511-02S	Front Panel
	9051562-03	9051562-03	9051562-03	9051562-03	9051562-03	Front Panel End Cap, Right Hand
	9051562-04	9051562-04	9051562-04	9051562-04	9051562-04	Front Panel End Cap, Left Hand
2	9031098-04	9031098-04	9031098-04	9031098-04	9031098-04	Front Panel Screws
3	9031141-01	9031141-01	9031141-01	9031141-01	9031141-01	Plastic Nut
4	2101483-02S	2101483-02S	2101483-02S	2101483-02S	2101483-02S	Right Side Panel-Air Cooled Only (Metal)
5	3021969-02	3021969-02	3021969-02	3021969-02	3021969-02	Right Side Panel-Water/Remote Only (Metal)
6	2101425-01S	2101425-01S	2101425-01S	2101425-01S	2101425-01S	Top Panel Water and Remote
	2101425-05S	2101425-05S	2101425-05S	2101425-05S	2101425-05S	Top Panel Air Cooled
7	3012724-01	3012724-01	3012724-01	3012724-01	3012724-01	Rear Brace
8	3021969-02	3021969-02	3021969-02	3021969-02	3021969-02	Left Side Panel (Metal)
9	3021740-01	3021740-01	3021740-01	3021740-01	3021740-01	Rear Panel
10	9031046-01	9031046-01	9031046-01	9031046-01	9031046-01	Rear Panel Screws
11	3012905-01	3012905-01	3012905-01	3012905-01	3012905-01	Control Box Top Cover
12	3012891-01	3012891-01	3012891-01	3012891-01	3012891-01	Control Box Side Cover
13	3012931-01	N/A	3012931-01	N/A	N/A	Machine Compartment Cover

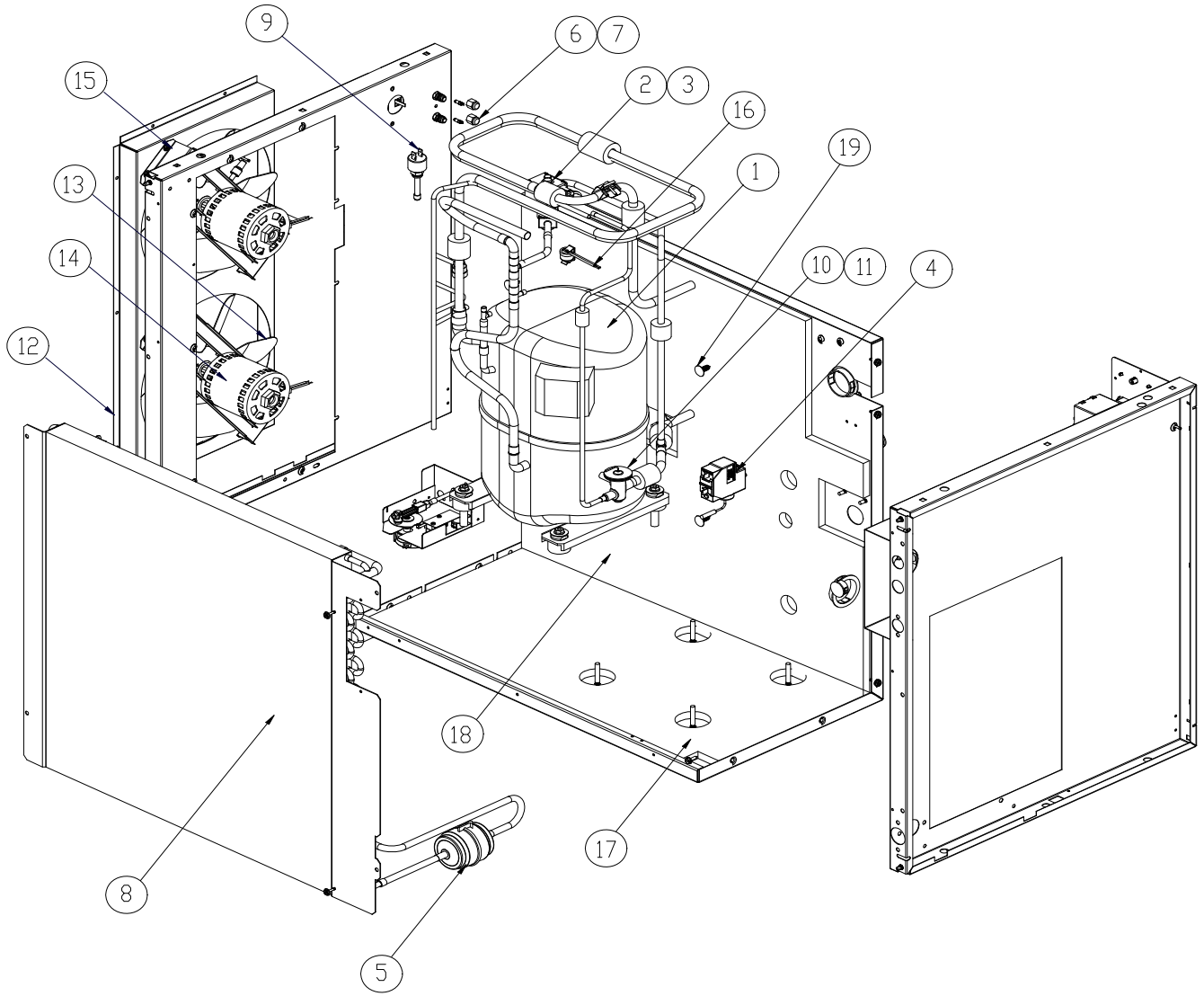


ICE Series Service Parts

Evaporator/Water System

Item No.	Model Number					Description
	ICE0805	ICE0806	ICE1005	ICE1006	ICE1007	
1	2051250-81	2051250-81	2051250-81	2051250-81	2051250-81	Evaporator Full Cube (Replaces 2051239-81)
1	2051250-82	2051250-82	2051250-82	2051250-82	2051250-82	Evaporator Half Cube (Replaces 2051239-82)
2	2041338-01	2041338-01	2041338-01	2041338-01	2041338-01	Water Distribution Tube
3	9031122-01	9031122-01	9031122-01	9031122-01	9031122-01	Thumb Screw
4	9031004-19	9031004-19	9031004-19	9031004-19	9031004-19	Rubber Washer
5	N/A	N/A	N/A	N/A	N/A	Curtain Stopper
6	9051170-03	9051170-03	9051170-03	9051170-03	9051170-03	Evaporator Mounting Panel Right Side
7	9051135-04	9051135-04	9051135-04	9051135-04	9051135-04	Evaporator Water Return
8	9051170-04	9051170-04	9051170-04	9051170-04	9051170-04	Evaporator Mounting Panel Left Side
9	9051135-05	9051135-05	9051135-05	9051135-05	9051135-05	Evaporator Spillway
10	9051154-12	9051154-12	9051154-12	9051154-12	9051154-12	Evaporator Splash Curtain
11	9051537-01	9051537-01	9051537-01	9051537-01	9051537-01	Water Return Trough
12	9031046-24	9031046-24	9031046-24	9031046-24	9031046-24	Water Return Trough Screw
13	9131111-01	9131111-01	9131111-01	9131111-01	9131111-01	Float
14	9131026-02	9131026-02	9131026-02	9131026-02	9131026-02	Caplug (Float Deflector)
15	9161079-03	9161079-03	9161079-03	9161079-03	9161079-03	Water Pump
	3012509-01	3012509-01	3012509-01	3012509-01	3012509-01	Water Pump Bracket
16	9021010-04	9021010-04	9021010-04	9021010-04	9021010-04	Clamp
17	9021010-04	9021010-04	9021010-04	9021010-04	9021010-04	Clamp
18	9051472-01	9051472-01	9051472-01	9051472-01	9051472-01	Water Pump Tube
19	3032898-26	3032898-26	3032898-26	3032898-26	3032898-26	Water Float Tubing (26 Inches required)
20	9091083-01	9091083-01	9091083-01	9091083-01	9091083-01	Water Inlet Fitting
21	9091074-01	9091074-01	9091074-01	9091074-01	9091074-01	Drop Adapter
22	9041105-02	9041105-02	9041105-02	9041105-02	9041105-02	Purge Valve - 9041086-02 is NLA
	9041105-101	9041105-101	9041105-101	9041105-101	9041105-101	Purge Valve Mounting Bracket
23	9021010-04	9021010-04	9021010-04	9021010-04	9021010-04	Clamp
24	3051222-18	3051222-18	3051222-18	3051222-18	3051222-18	Purge Drain Hose
25	9021010-03	9021010-03	9021010-03	9021010-03	9021010-03	Clamp
26	9091140-01	9091140-01	9091140-01	9091140-01	9091140-01	Purge Drain Fitting

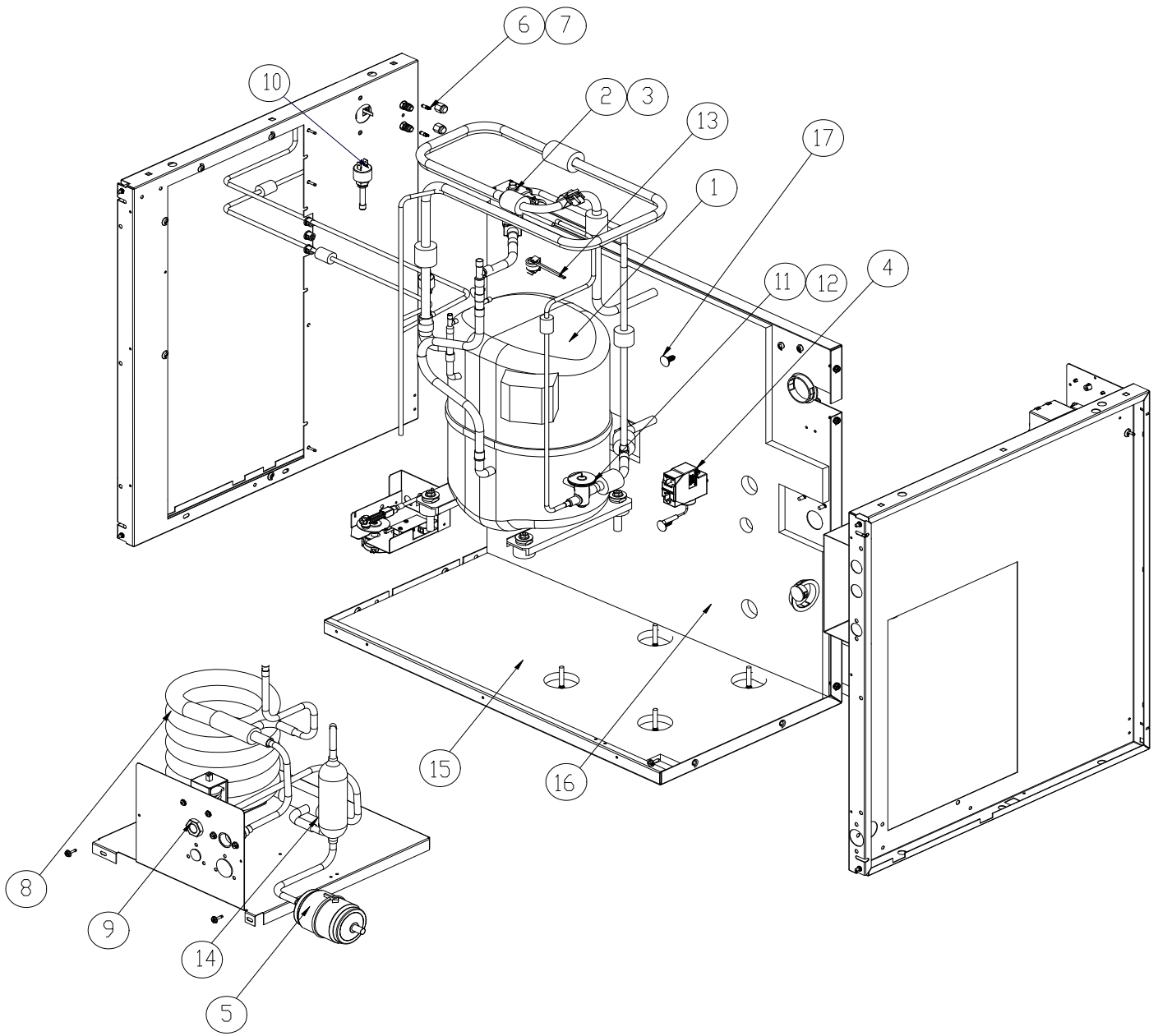
Note: When installing a 9041105 Series Purge Valve the 9041105-101 Mounting Bracket is required.



Item No.	Model Number					Description
	ICE0805	ICE0806	ICE1005	ICE1006	ICE1007	
1	9181140-12	9181139-11	9181142-12	9181140-11	9181140-13	Compressor Kit * See Notes Below
2	9151123-02	9151123-02	9151123-02	9151123-02	9151123-02	Hot Gas Valve Body
3	9151123-04	9151123-04	9151123-04	9151123-04	9151123-04	Hot Gas Valve Coil
4	9041104-101	9041104-101	9041104-101	9041104-101	9041104-101	Low Pressure Control (Replaces 9041094-01)
5	9151163-03	9151163-03	9151163-03	9151163-03	9151163-03	Filter Drier (Replaces 9151004-04)
6	9091086-02	9091086-02	9091086-02	9091086-02	9091086-02	Service Valve Core
7	9091086-03	9091086-03	9091086-03	9091086-03	9091086-03	Service Valve Cap
8	9141122-01	9141122-01	9141122-01	9141122-01	9141122-01	Condenser
9	9041096-01	9041096-01	9041096-01	9041096-01	9041096-01	Fan Control
10	9151147-01	9151147-01	9151147-01	9151147-01	9151147-01	Expansion Valve
11	9131465-01	9131465-01	9131465-01	9131465-01	9131465-01	Insulation-Danfoss Expansion Valve
12	3012742-01	3012742-01	3012741-01	3012741-01	3012741-01	Fan Shroud
13	9131383-01	9131332-02	9131383-01	9131333-01	9131333-01	Fan Blade
				9131383-01	9131383-01	Fan Blade (From SN 11071280011083)
14	9161078-02	9161089-03	9161078-02	9161089-03	9161089-03	Fan Motor
				9161078-03	9161078-03	Fan Motor (From SN 11071280011083)
15	2021612-01	3012527-01	2021612-01	3012527-01	3012527-01	Fan Motor Bracket
				3013252-01	3013252-01	Fan Motor Brkt (From SN 11071280011083)
16	9041098-01	9041098-01	9041098-01	9041098-01	9041098-01	High Temperature Safety Control
17	9131353-02	9131353-02	9131353-02	9131353-02	9131353-02	Insulation Panel Bottom
18	9131456-01	9131456-01	9131456-01	9131456-01	9131456-01	Insulation Panel Top Divider
19	9031154-01	9031154-01	9031154-01	9031154-01	9031154-01	Insulation Clip

Note: The ICE800 series has 1 fan motor, the ICE1000 series has 2 fan motors.

- * **Note ICE0806 Air Cooled Compressor 9181106-11 is NLA, Reference Service Bulletin 12-10**
- * **Note ICE1006 Air Cooled Compressor 9181107-11 is NLA, Reference Service Bulletin 12-05**
- * **Note ICE0805 Air Cooled Compressor 9181107-12 is NLA, Reference Service Bulletin 12-11**
- * **Note ICE1005 Air Cooled Compressor 9181090-12 is NLA, Reference Service Bulletin 12-15**
- * **Note ICE1007 Remote Cooled Compressor 9181107-13 is NLA, Replaced by 9181140-13 (Aug 2013)**



Item No.	Model Number					Description
	ICE0805	ICE0806	ICE1005	ICE1006	ICE1007	
1	9181140-12	9181139-11	9181141-12	9181140-11	9181140-13	Compressor Kit * See Notes Below
2	9151148-01	9151148-01	9151148-01	9151148-01	9151148-01	Hot Gas Valve Body
3	9151123-04	9151123-04	9151123-04	9151123-04	9151123-04	Hot Gas Valve Coil
4	9041104-101	9041104-101	9041104-101	9041104-101	9041104-101	Low Pressure Control (Replaces 9041094-01)
5	9151163-02	9151163-02	9151163-02	9151163-02	9151163-02	Filter Drier (Replaces 9151004-03)
6	9091086-02	9091086-02	9091086-02	9091086-02	9091086-02	Service Valve Core
7	9091086-03	9091086-03	9091086-03	9091086-03	9091086-03	Service Valve Cap
8	9141061-02	9141061-02	9141061-02	9141061-02	9141061-02	Condenser
9	9041059-01	9041059-01	9041059-01	9041059-01	9041059-01	Water Valve
10	9041091-01	9041091-01	9041091-01	9041091-01	9041091-01	High Pressure Control
11	9151147-01	9151147-01	9151147-01	9151147-01	9151147-01	Expansion Valve
12	9131465-01	9131465-01	9131465-01	9131465-01	9131465-01	Insulation-Danfoss Expansion Valve
13	9041098-01	9041098-01	9041098-01	9041098-01	9041098-01	High Temperature Safety Control
14	9151155-01	9151155-01	9151155-01	9151155-01	9151155-01	Accumulator
15	9131353-02	9131353-02	9131353-02	9131353-02	9131353-02	Insulation Panel Bottom
16	9131456-01	9131456-01	9131456-01	9131456-01	9131456-01	Insulation Panel Top Divider
17	9031154-01	9031154-01	9031154-01	9031154-01	9031154-01	Insulation Clip

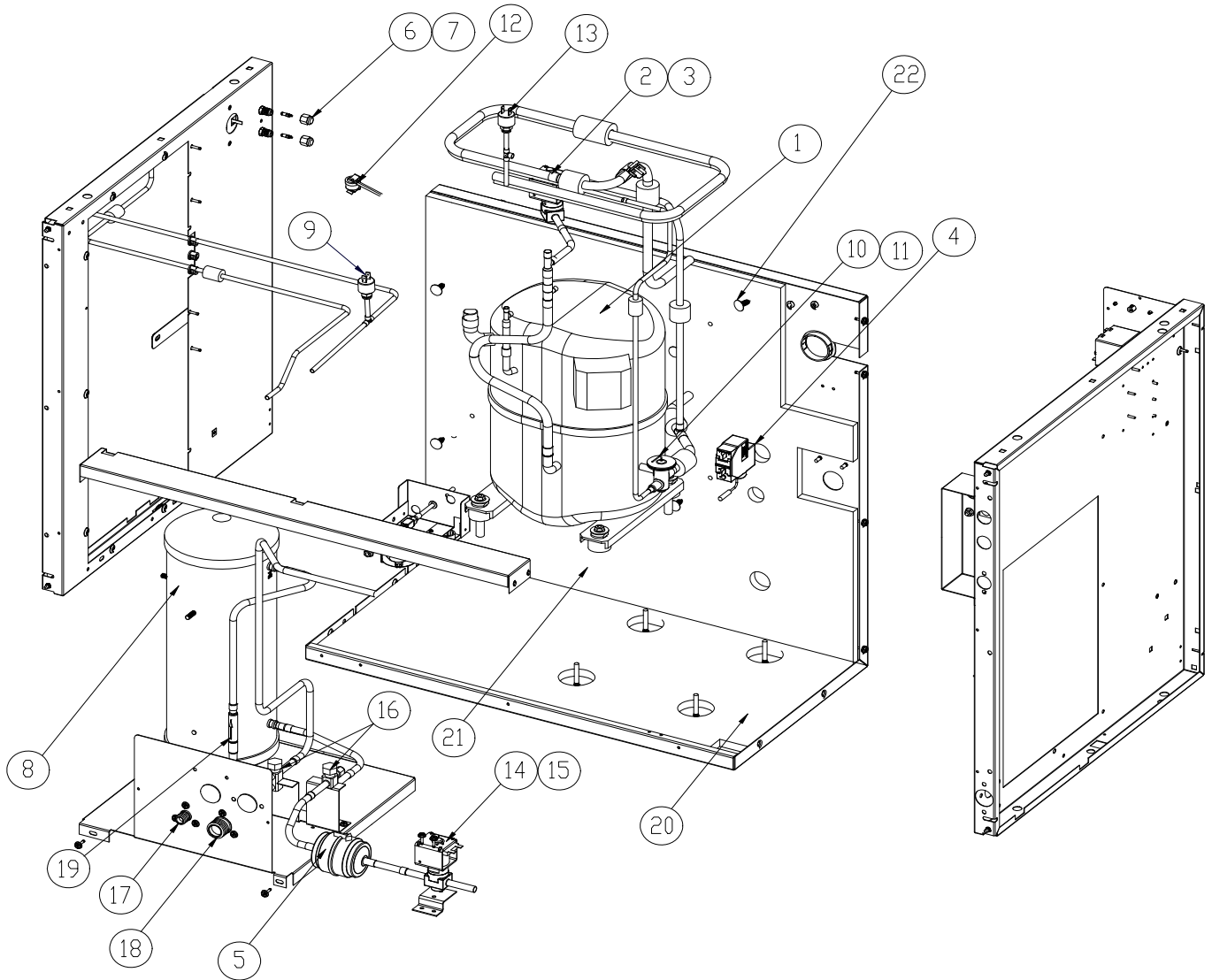
* Note ICE0806 Water Cooled Compressor 9181106-11 is NLA, Reference Service Bulletin 12-10

* Note ICE1006 Water Cooled Compressor 9181107-11 is NLA, Reference Service Bulletin 12-05

* Note ICE0805 Water Cooled Compressor 9181107-12 is NLA, Reference Service Bulletin 12-11

* Note ICE1005 Water Cooled Compressor 9181090-12 is NLA, Reference Service Bulletin 12-15

* Note ICE1007 Remote Cooled Compressor 9181107-13 is NLA, Replaced by 9181140-13 (Aug 2013)



Item No.	Model Number					Description
	ICE0805	ICE0806	ICE1005	ICE1006	ICE1007	
1	9181140-12	9181139-11	9181141-12	9181141-11	9181140-13	Compressor Kit * See Notes Below
2	9151123-02	9151123-02	9151123-02	9151123-02	9151123-02	Hot Gas Valve Body
3	9151123-04	9151123-04	9151123-04	9151123-04	9151123-04	Hot Gas Valve Coil
4	9041104-101	9041104-101	9041104-101	9041104-101	9041104-101	Low Pressure Control (Replaces 9041094-01)
5	9151163-03	9151163-03	9151163-03	9151163-03	9151163-03	Filter Drier (Replaces 9151004-04)
6	9091086-02	9091086-02	9091086-02	9091086-02	9091086-02	Service Valve Core
7	9091086-03	9091086-03	9091086-03	9091086-03	9091086-03	Service Valve Cap
8	9151060-01	9151060-01	9151060-01	9151060-01	9151060-01	Receiver
9	9041091-01	9041091-01	9041091-01	9041091-01	9041091-01	High Pressure Control
10	9151147-01	9151147-01	9151147-01	9151147-01	9151147-01	Expansion Valve
11	9131465-01	9131465-01	9131465-01	9131465-01	9131465-01	Insulation Danfoss Expansion Valve
12	9041098-01	9041098-01	9041098-01	9041098-01	9041098-01	High Temperature Safety Control
13	9041092-02	9041092-02	9041092-02	9041092-02	9041092-02	Pump Down Control
14	9151123-02	9151123-02	9151123-02	9151123-02	9151123-02	Liquid Line Solenoid Body
15	9151123-04	9151123-04	9151123-04	9151123-04	9151123-04	Liquid Line Solenoid Coil
16	9091143-01	9091143-01	9091143-01	9091143-01	9091143-01	Valve-Shut Off
17	9091001-11	9091001-11	9091001-11	9091001-11	9091001-11	Remote Fitting 3/8 Male
18	9091001-12	9091001-12	9091001-12	9091001-12	9091001-12	Remote Fitting 1/2 Male
19	9151139-01	9151139-01	9151139-01	9151139-01	9151139-01	Check Valve
20	9131353-02	9131353-02	9131353-02	9131353-02	9131353-02	Insulation Panel Bottom
21	9131456-01	9131456-01	9131456-01	9131456-01	9131456-01	Insulation Panel Top Divider
22	9031154-01	9031154-01	9031154-01	9031154-01	9031154-01	Insulation Clip

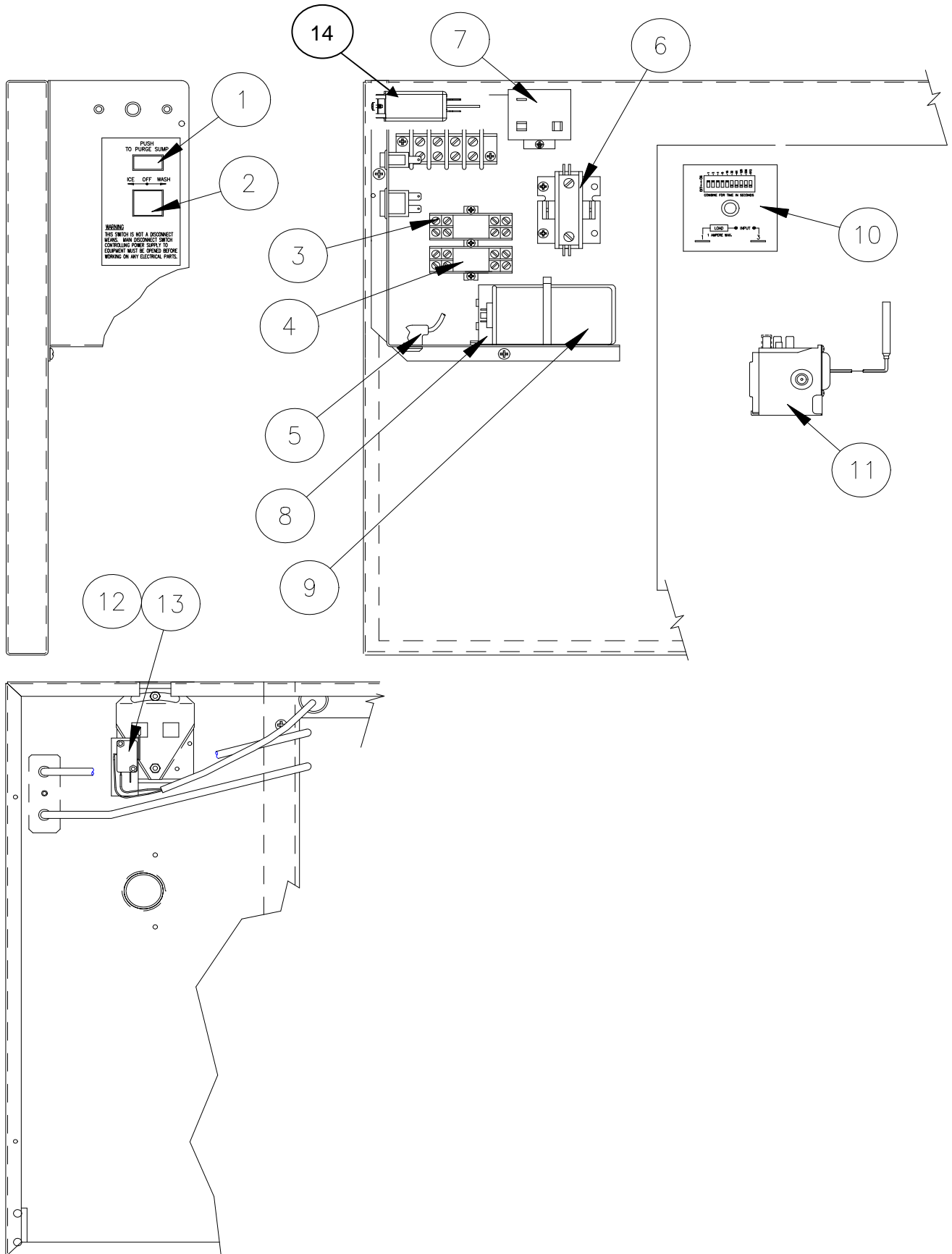
* Note ICE0806 Remote Cooled Compressor 9181106-11 is NLA, Reference Service Bulletin 12-10

* Note ICE0805 Remote Cooled Compressor 9181107-12 is NLA, Reference Service Bulletin 12-11

* Note ICE1006 Remote Cooled Compressor 9181090-11 is NLA, Reference Service Bulletin 12-14

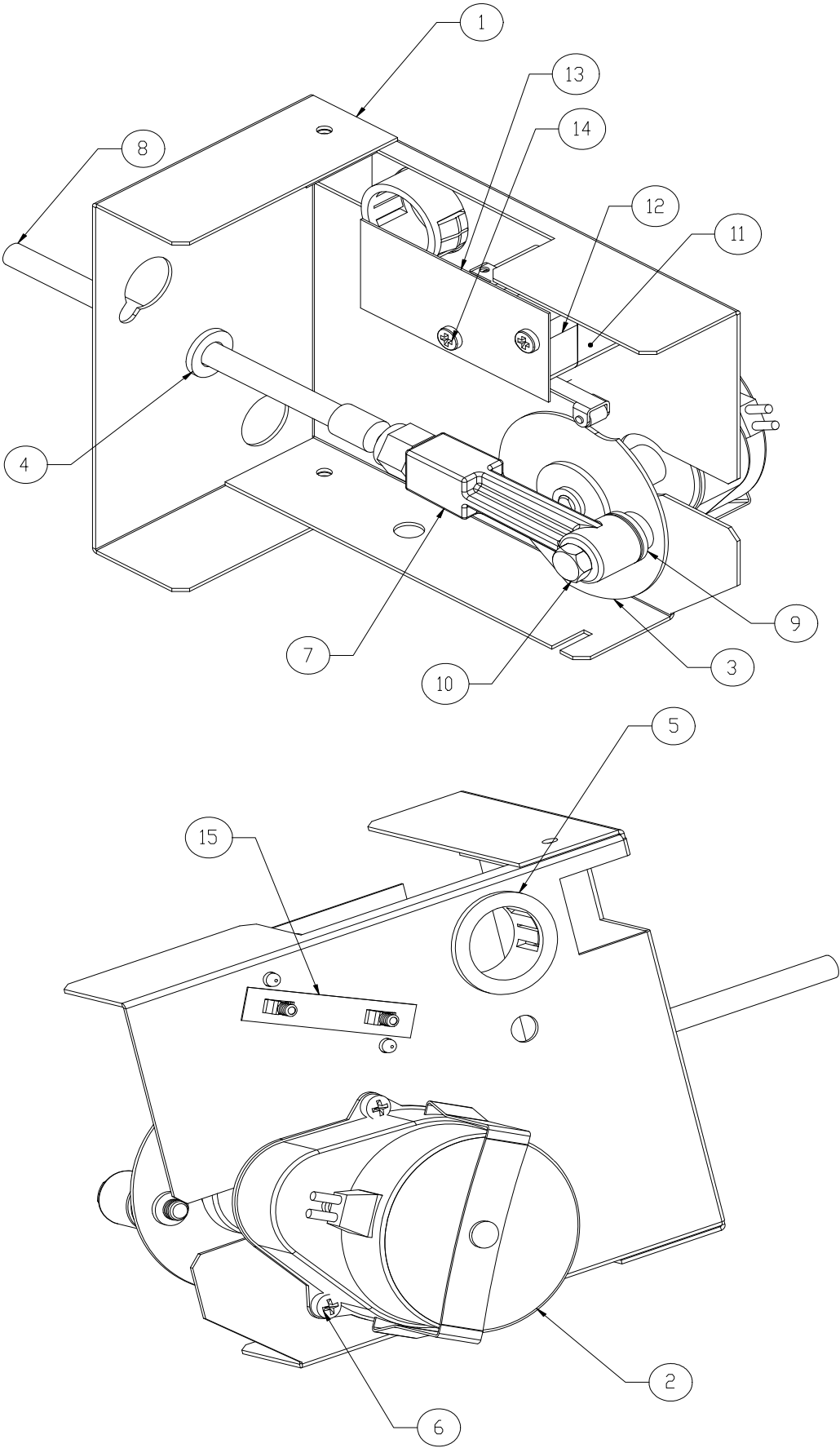
* Note ICE1005 Remote Cooled Compressor 9181090-12 is NLA, Reference Service Bulletin 12-15

* Note ICE1007 Remote Cooled Compressor 9181107-13 is NLA, Replaced by 9181140-13 (Aug 2013)



Item No.	Model Number					Description
	ICE0805	ICE0806	ICE1005	ICE1006	ICE1007	
1	9101348-01	9101348-01	9101348-01	9101348-01	9101348-01	Purge Switch(9101139-03 is NLA) From SN1407
	1051208-01	1051208-01	1051208-01	1051208-01	1051208-01	Purge Switch(9101139-03 is NLA) Prior to SN1407
2	9101349-01	9101349-01	9101349-01	9101349-01	9101349-01	ON-OFF-WASH Switch (9101195-01 is NLA)
3	9101083-01	9101083-01	9101083-01	9101083-01	9101083-01	Relay Socket
4	9101084-02	9101084-02	9101084-02	9101084-02	9101084-02	Relay
5	9101218-12	9101218-12	9101218-12	9101218-12	9101218-12	Water Pump Cord
6	9101002-06	9101002-06	9101002-06	9101002-06	9101079-02	Contactator
7	See Page 18	See Page 18	See Page 18	See Page 18	N/A	Compressor Start Relay
8	See Page 18	See Page 18	See Page 18	See Page 18	N/A	Start Capacitor
9	See Page 18	See Page 18	See Page 18	See Page 18	N/A	Run Capacitor
10	9101148-01	9101148-01	9101148-01	9101148-01	9101148-01	Timer
11	9041104-101	9041104-101	9041104-101	9041104-101	9041104-101	Low Pressure Control (Replaces 9041094-01)
12	2061471-03	2061471-03	2061471-03	2061471-03	2061471-03	Curtain Switch Assembly
13	9101124-02	9101124-02	9101124-02	9101124-02	9101124-02	Curtain Switch
14	9041004-02	9041004-02	9041004-02	9041004-02	9041004-02	Bin Thermostat

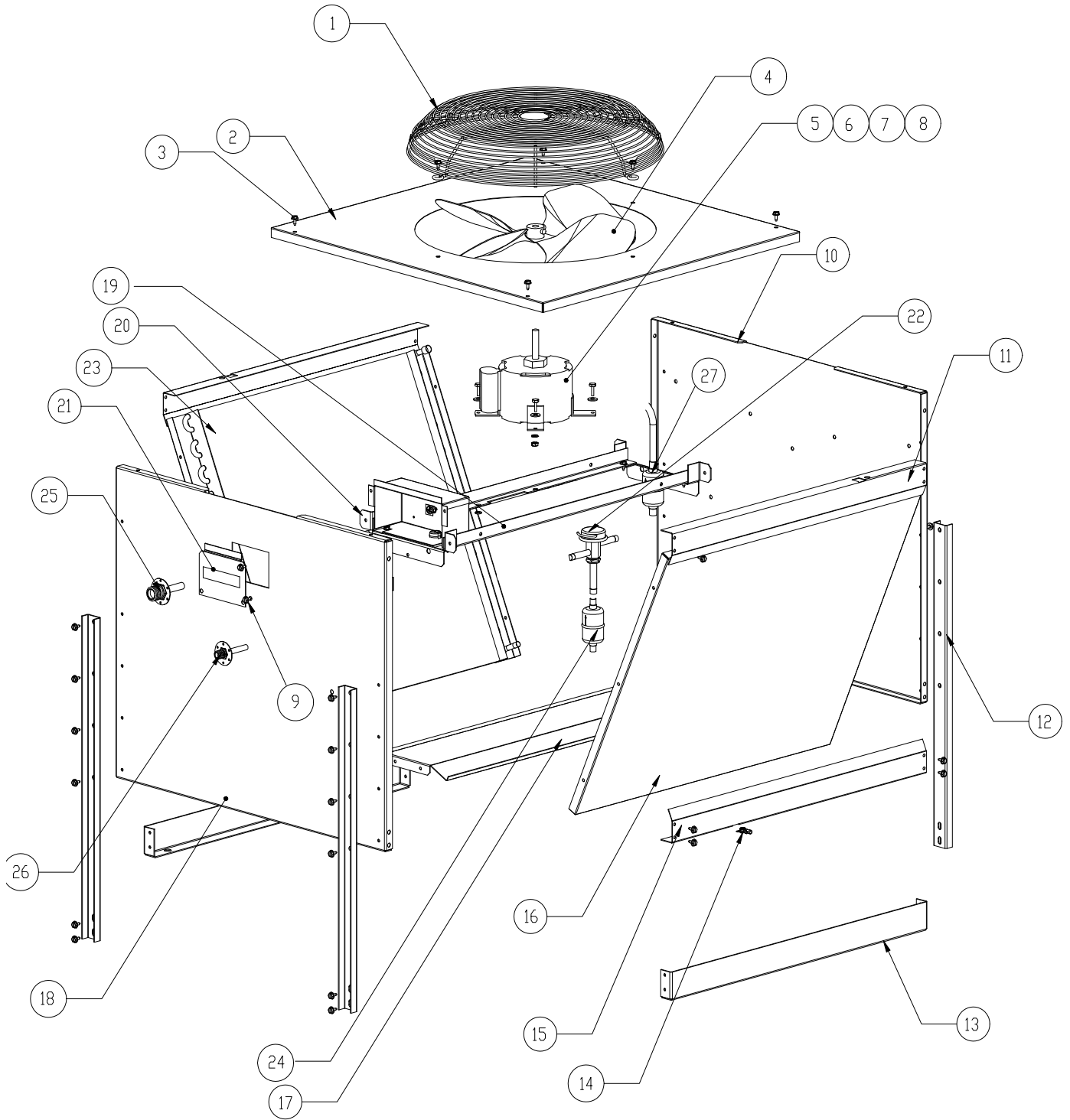
Reference Page 18 for specific compressor components



ICE Series Service Parts

Harvest Assist Assembly

Item No.	Model Number					Description
	ICE0805	ICE0806	ICE1005	ICE1006	ICE1007	
1	3013170-01	3013170-01	3013170-01	3013170-01	3013170-01	Bracket, Probe Motor
2	9161031-01	9161031-01	9161031-01	9161031-01	9161031-01	Gear Motor
3	9131190-01	9131190-01	9131190-01	9131190-01	9131190-01	Clutch Assembly 180 Degree
4	9051001-13	9051001-13	9051001-13	9051001-13	9051001-13	Snap Bushing
5	9051001-03	9051001-03	9051001-03	9051001-03	9051001-03	Snap Bushing
6	9031019-08	9031019-08	9031019-08	9031019-08	9031019-08	#6-32 x 1/2 Fillister Head Screw
7	9051057-01	9051057-01	9051057-01	9051057-01	9051057-01	Connecting Rod
8	9021102-01	9021102-01	9021102-01	9021102-01	9021102-01	Probe, Single Length
9	9031003-03	9031003-03	9031003-03	9031003-03	9031003-03	Plain Flat Washer
10	9031119-01	9031119-01	9031119-01	9031119-01	9031119-01	Shoulder Screw
11	9051519-01	9051519-01	9051519-01	9051519-01	9051519-01	Spacer, Cam Switch
12	9101160-01	9101160-01	9101160-01	9101160-01	9101160-01	Cam Switch
13	9131500-01	9131500-01	9131500-01	9131500-01	9131500-01	Insulator, Switch
14	9031008-44	9031008-44	9031008-44	9031008-44	9031008-44	Pan Head Machine Screw
15	9031120-01	9031120-01	9031120-01	9031120-01	9031120-01	Speed Nut Plate
	2061962-02S	2061962-02S	2061962-02S	2061962-02S	2061962-02S	Complete Assembly



ICE0500R	ICE0600R	ICE0800R4 ICE1000R4	ICE1400R4 ICE1506R3	ICE1800R4 ICE2100R4
----------	----------	------------------------	------------------------	------------------------

Item	VRC1001	VRC1061	VRC2061	VRC2661	VRC5061	Description
1	9131452-01	9131452-01	9131452-01	9131452-01	9131460-01	Fan Guard
2	3013222-01	3013222-01	3013222-01	3013222-01	3013303-01	Top Panel
3	9031019-04	9031019-04	9031019-04	9031019-04	9031019-04	¼-20 x 1/2 Screw
4	9131451-01	9131451-01	9131451-01	9131451-01	9131461-01	Fan Blade
5	9161117-02	9161117-01	9161117-01	9161117-01	9161118-01	Fan Motor
6	9031001-02	9031001-02	9031001-02	9031001-02	9031001-02	¼-20 x ¾ Cap Screw
7	9031003-01	9031003-01	9031003-01	9031003-01	9031003-01	Flat Washer
8	9031118-02	9031118-02	9031118-02	9031118-02	9031118-02	Flanged Lock Nut
9	9031019-04	9031019-04	9031019-04	9031019-04	9031019-04	¼-20 x 1/2 Screw
10	3013224-01	3013224-01	3013224-01	3013224-01	3013224-01	Rear Panel
11	3013226-01	3013226-01	3013226-01	3013226-01	3013305-01	Brace
12	3013227-01	3013227-01	3013227-01	3013227-01	3013227-01	Leg
13	3013228-01	3013228-01	3013228-01	3013228-01	3013306-01	Leg Brace
14	N/A	N/A	N/A	N/A	N/A	T-Nut-Shipping Only
15	3013226-01	3013226-01	3013226-01	3013226-01	3013305-01	Brace
16	3013232-01	3013232-01	N/A	N/A	N/A	Cover Panel
17	3013225-01	3013225-01	3013225-01	3013225-01	3013304-01	Center Panel
18	3013223-01	3013223-01	3013223-01	3013223-01	3013223-01	Front Panel
19	3013234-01	3013234-01	3013234-01	3013234-01	3013307-01	Motor Brace
20	3013233-01	3013233-01	3013233-01	3013233-01	3013233-01	Motor Brace Support
21	3013229-01	3013229-01	3013229-01	3013229-01	3013229-01	Junction Box Cover
22	9151027-07	9151027-06	9151027-07	9151027-07	9151027-07	Mixing Valve
23	9141135-01	9141135-01	9141135-01	9141136-01	9141137-01	Condenser
24	9151143-01	9151143-01	9151143-01	9151143-01	9151143-01	Filter
25	9091001-12	9091001-12	9091001-12	9091001-12	9091001-12	1/2 Coupling
26	9091001-11	9091001-11	9091001-11	9091001-11	9091001-11	3/8 Coupling
27	9151143-02	9151143-02	9151143-02	9151143-02	9151143-02	Filter

Model Number

ICE0805	ICE0806	ICE1005	ICE1006	ICE1007	
9181107-12	9181106-11	9181090-12	See Below	9181107-13	Compressor
9181003-32	9181003-07	9181003-07	See Below	N/A	Start Capacitor
9181009-17	9181009-16	9181009-12	See Below	N/A	Run Capacitor
9181010-04	9181010-12	9181010-12	See Below	N/A	Relay

ICE1006 Air and Water

9181107-11		Compressor
9181003-07		Start Capacitor
9181009-16		Run Capacitor
9181010-12		Relay

ICE1006 Remote

9181090-11		Compressor
9181003-19		Start Capacitor
9181009-12		Run Capacitor
9181010-10		Relay

Reference the compressor model number to insure the correct starting components are ordered

9181107-12					CS12K6E-PFJ-235
	9181106-11				CS10K6E-PFV-235
		9181090-12			CS146E-PFJ-235
			9181107-11		CS12K6E-PFV-235
			9181090-11		CS14K6E-PFV-235
				9181107-13	CS12K6E-TF5

The following compressors are no longer available and have been replaced with the compressor kits below.

9181107-12					9181140-12 CS12K6E-PFJ-255
	9181106-11				9181139-11 CS10K6E-PFV-255
		9181090-12			9181141-12 CS14K6E-PFJ-255
			9181107-11		9181140-11 CS12K6E-PFV-255
			9181090-11		9181141-11 CS14K6E-PFV-255
				9181107-13	9181140-13 CS12K6E-TF5-255

Reference the compressor model number to insure the correct starting components are ordered

ICE0805	ICE0806	ICE1005	ICE1006	ICE1007	
9181140-12	9181139-11	9181141-12	See Below	9181140-13	Compressor
9181003-32	9181003-07	9181003-07	See Below	N/A	Start Capacitor
9181009-17	9181009-16	9181009-12	See Below	N/A	Run Capacitor
9181010-04	9181010-12	9181010-12	See Below	N/A	Relay

ICE1006 Air and Water

9181140-11		Compressor
9181003-07		Start Capacitor
9181009-16		Run Capacitor
9181010-12		Relay

ICE1006 Remote

9181141-11		Compressor
9181003-19		Start Capacitor
9181009-12		Run Capacitor
9181010-10		Relay

A = Air Cooled

W= Water Cooled

R= Remote