



*G 1000*

# LIST OF THE EXPLODED VIEWS



*SHELL ASSY*

*COOLING SYSTEM from s/n. 518880*

*COOLING SYSTEM till s/n. 518879*

*EVAPORATOR*

*HYDRAULIC CIRCUIT*

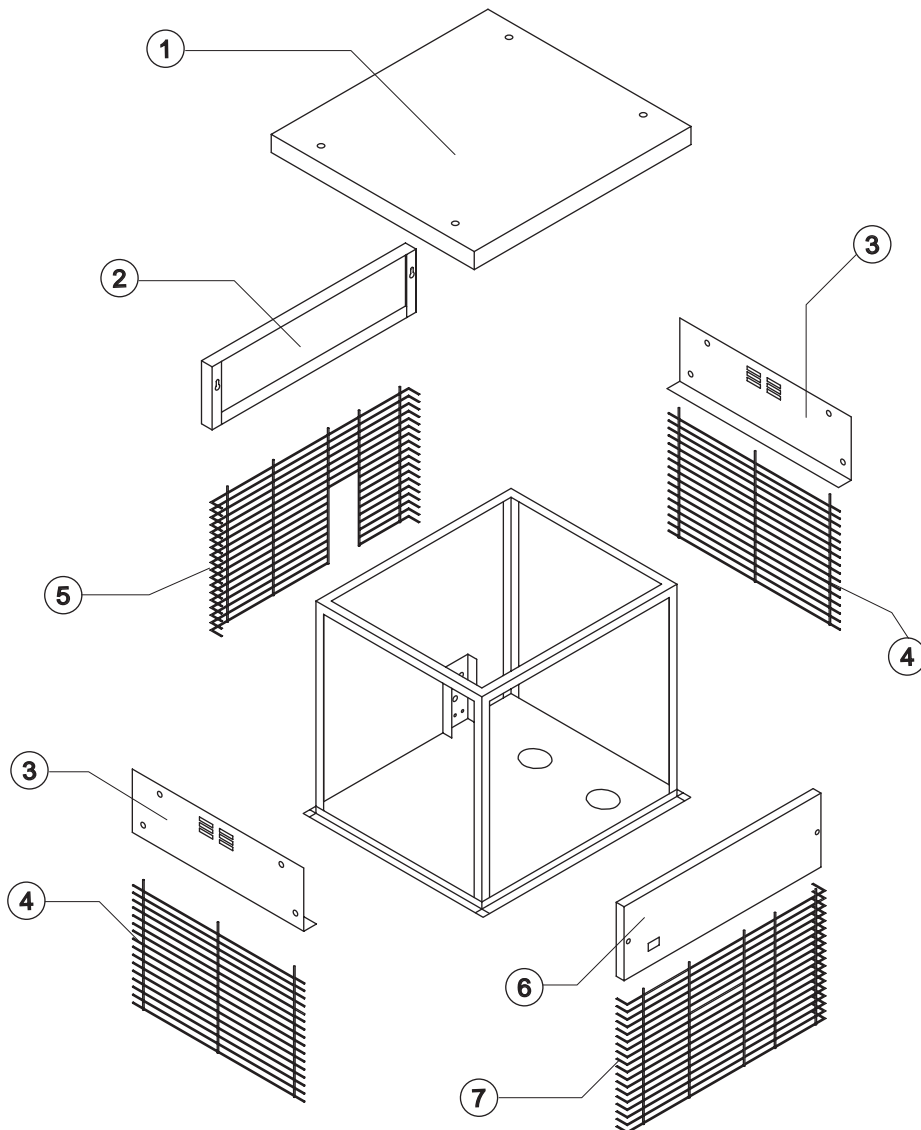
*ELECTRIC PARTS*

Rev. 14 - 17/02/2015



# G 1000

# SHELL ASSY



### Common Parts

Ref.	Spare Description	Code
1	Top	22681
2	Rear Panel	22684
3	Right/Left Side Panel	221152
4	Side Grid	D12064
5	Rear Grid	D12063
6	Front Panel Assembly	22683
7	Front Grid	D12062

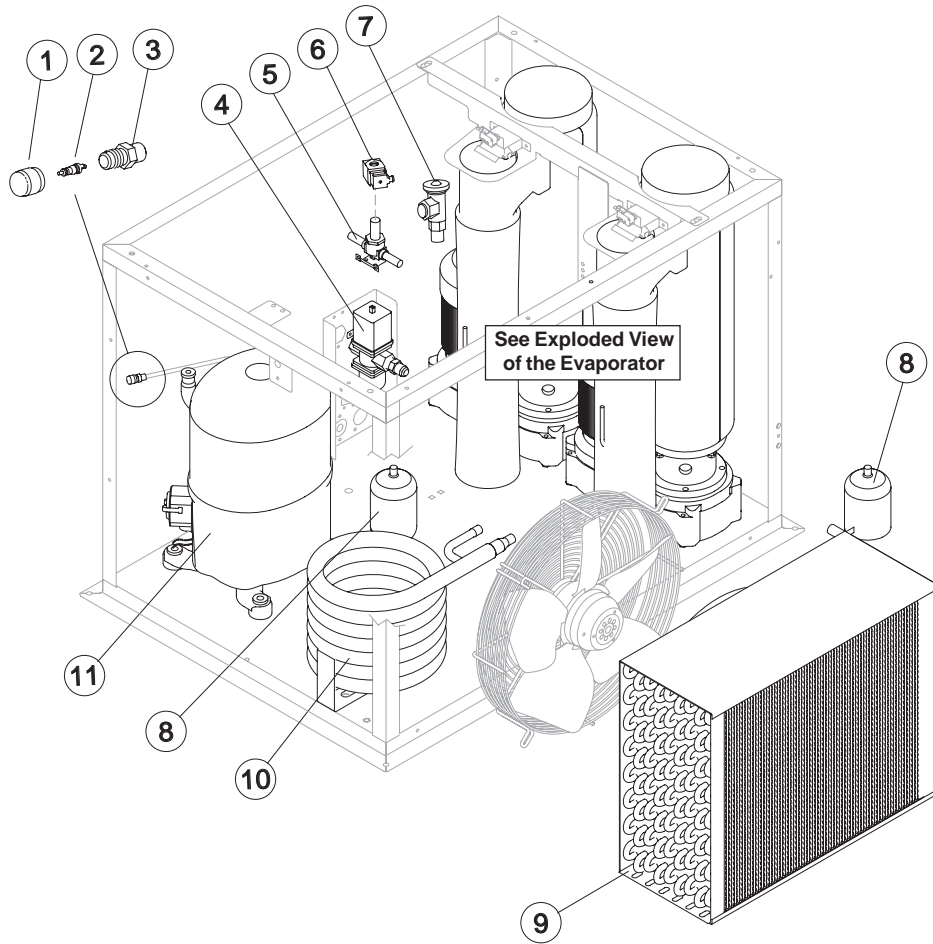
Rev. 14 - 17/02/2015



G 1000

# COOLING SYSTEM

## from s/n. 518880



### Common Parts

Ref.	Spare Description	Code
1	Vacuum-Charge Valve Plug	14006
2	Vacuum-Charge Valve Device	14005
3	Vacuum-Charge Valve Body	14007
5	Hot gas valve body	20409
6	Hot gas valve coil	See Table
7	Expansion valve	20970
8	Liquid Line Drier	14255
11	Compressor	See Table

### Parts for Air-Cooled Version Only

Ref.	Spare Description	Code
9	Air Condenser	20396

### Parts for Water-Cooled Version Only

Ref.	Spare Description	Code
4	Water Regulating Valve	C20968
10	Water Condenser	14660

### Ref. 6 - Hot gas valve coil

Tension	Code
T15	23091
T17	23091
T20	23843

### Ref. 11 - Compressor

Voltage	Current Version	Till s/n. 715079
T15	231112	23583
T17	231112	23583
T20	231113	23618



# G 1000

# COOLING SYSTEM till s/n. 518879

### Common Parts

Ref.	Spare Description	Code
1	Vacuum-Charge Valve Body	14007
2*	Vacuum-Charge Valve Device	14005
3*	Vacuum-Charge Valve Plug	14006
4	Compressor	See Table
7*	Solid Core Drier	14255

### Parts for Air-Cooled Version Only

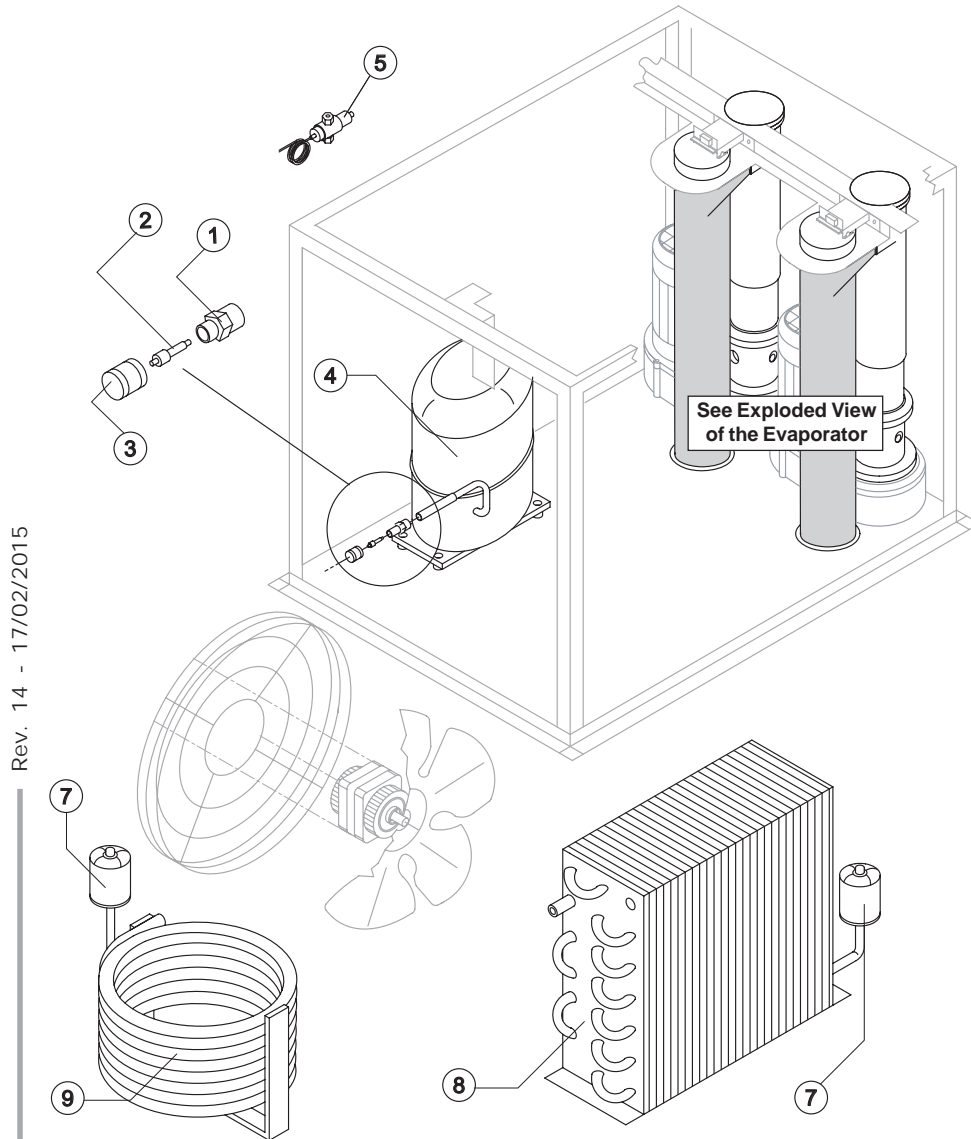
Ref.	Spare Description	Code
8	Air Condenser	20396

### Parts for Water-Cooled Version Only

Ref.	Spare Description	Code
5	Pressostatic Valve	20149
9	Water Condenser	14285

### Ref. 4 - Compressor

Voltage	Code
T15	23583
T16	23618
T20	23618



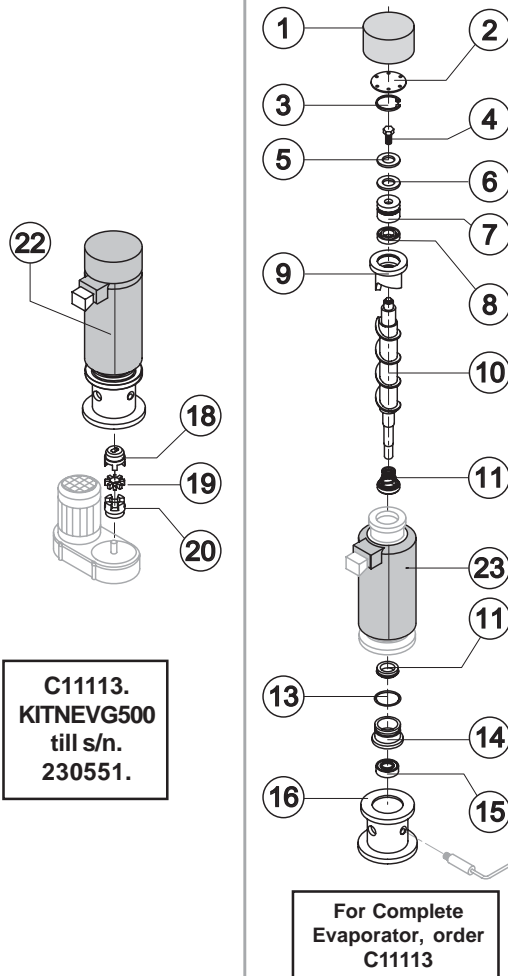
Rev. 14 - 17/02/2015



# G 1000

# EVAPORATOR

Ref.	Spare Description (from s/n. 218278)	Code
1	Insulating Cap	18165
2	Closing Disk	22670
3	Seeger	20116
4	Stainless Steel Screw	20664
5	Shimming Disk	22829
6	Self-Lubricating Disk	20639
7	Stainless Steel Thrust Bearing	20685
8	OR Gasket 4137	20689
9	Ice Breaker	20781
10	Auger	20780
11	Ceramic Seal	20643
13	OR Gasket 4312 NBR	20205
14	Reduction Ring	20647
15	Stainless Steel Bearing	20113
16	Flange	20644
18	Semi-Joint Upper	D20642
19	Vibration-Damping Elastomer	20494
20	Semi-Joint Lower	D20493
22	Evaporator Assy	Current Version C11113
22	Evaporatoe Assy	Till s/n. 230551 KITNEVG500
23	Insulating Cap	18181

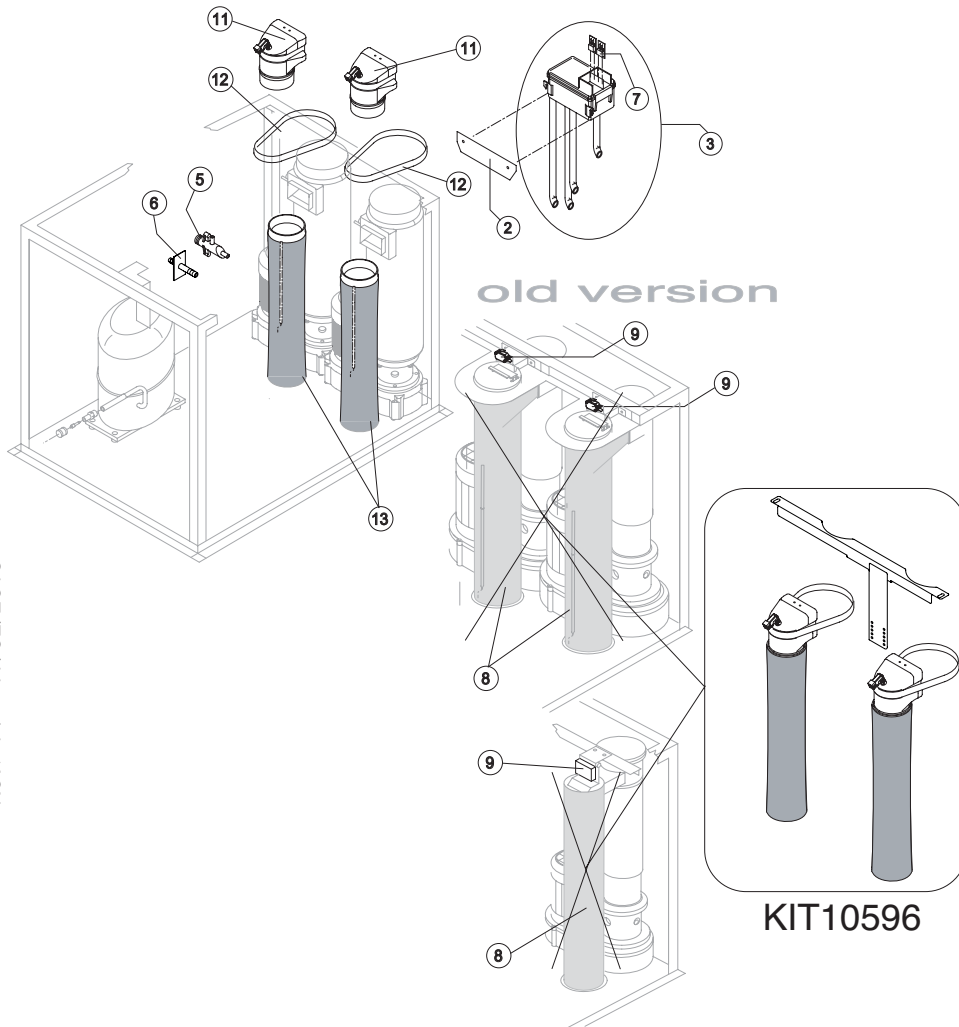


Rev. 14 - 17/02/2015



# G 1000

# HYDRAULIC CIRCUIT



### Common Parts

Ref.	Spare Description	Code
2	Basin Support Plate	21133
3*	Double Switch Basin Assembly	C26768
5	Discharges Manifold	10580
7	Microswitch	23055
8	Complete Ice Outlet Pipe Assy	Till s/n. 498591 KIT10596
9	Bin Level Control Microswitch	From s/n. 230552 till s/n. 498591 23930
9	Bin Level Control Microswitch	Till s/n. 230551 23055
11*	Ice Exhaust Assy with Micro	Current Version C10585
12	Locking Exhaust Assy	Current Version 25049
13	Ice Outlet Pipe with Bin bulb holder	Current Version C10657
13	Ice Outlet Pipe with Bin bulb holder	Till s/n. 603755 K10588

### Parts for Water-Cooled Version Only

Ref.	Spare Description	Code
6	Connection with Plate	Current Version 20984
6	Connection with Plate	Till s/n. 518879 C20462

For ice makers till s/n. 230551 if you must substitute both ref. 9 and ref. 8 order the KIT10596.



# G 1000

## ELECTRIC PARTS

### Common Parts

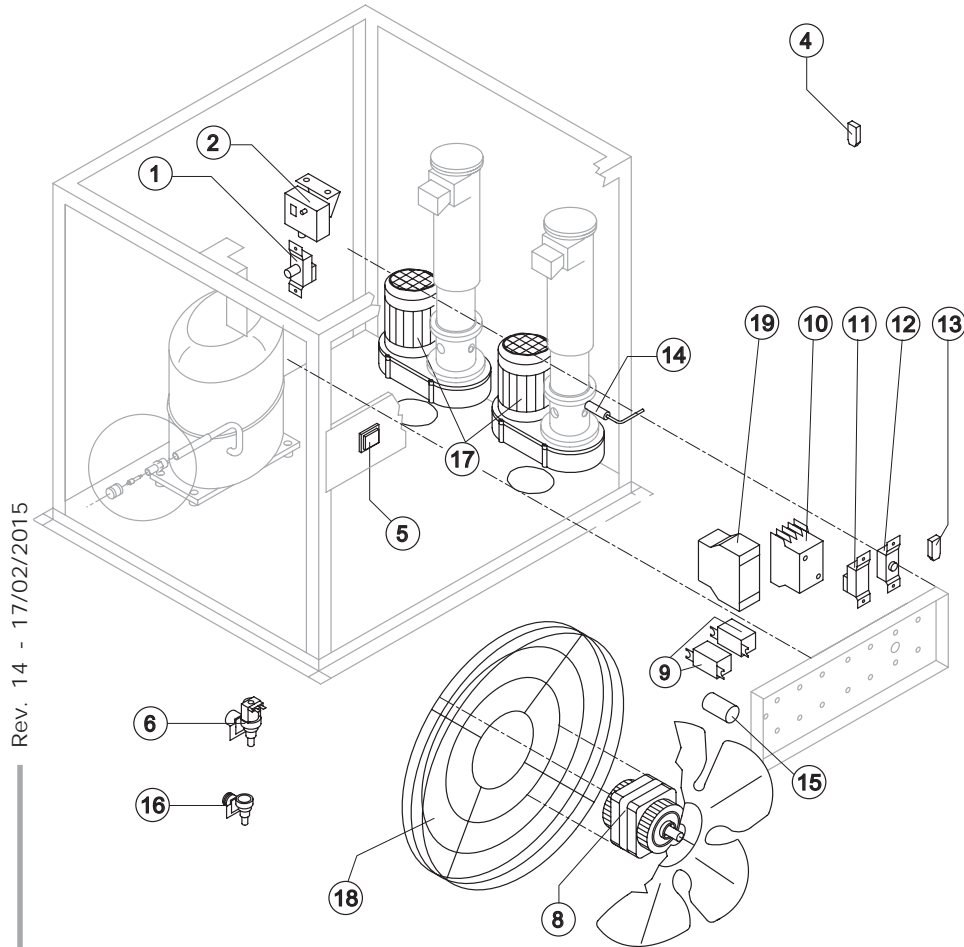
Ref.	Spare Description	Code
1	Safety Pressure-Switch (Maximum Pressure)	23342
2	Safety Pressure-Switch (Minimum Pressure)	Current Version 23763
2	Safety Pressure-Switch (Minimum Pressure)	Till s/n. 275972 K23763
4	Anti Radio Interference Filter	C23457
5*	Green Light Switch (On-Off)	23327
6*	1 Way- Water Inlet Valve	23001
9*	Relay	23190
10*	Contactor	23147
12*	Bin Thermostat	Current Version R231035
12*	Bin Thermostat	Till s/n. 603755 R23421
14*	Rotation Sensor	R231028
17	Gearmotor	See Table
19	Voltage control relay	From s/n. 541088 See Table

### Parts for Air-Cooled Version Only

Ref.	Spare Description	Code
8*	Fan Motor	See Table -
11*	Condenser Pressure Switch	See Table -
13	Anti Radio Interference Filter	C23459
15*	Fan Motor Capacitor	See Table -
18	Fan Motor Grid	12053

### Parts for Water-Cooled Version Only

Rif.	Descrizione Ricambio	Codice
16	1 Way- Water Inlet Nipple	10239



#### Ref. 8\* - Fan motor

Voltage	Code
T15	23468
T17	23468
T20	23938

#### Ref. 15 - Fan Motor Capacitor

Voltage	Code
T15	23469
T17	23469
T20	23939

#### Ref. 11\* - Cond. Pressure Switch

Voltage	Code
T15	23175
T17	23175
T20	23680

#### Ref. 17 - Gearmotor

Voltage	Code
T15	23638
T17	23638
T20	23853

#### Ref. 19 - Voltage Control Relay

Voltage	Code
T15	23903
T17	23903
T20	23904