



Project # \_\_\_\_\_

Item No. \_\_\_\_\_

# Milk Cooler

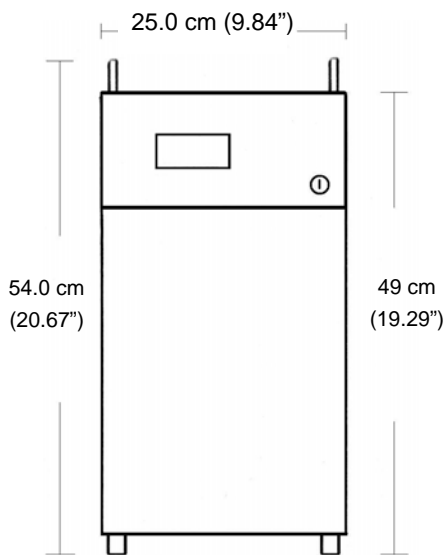
牛奶冰箱

Model: MF-2

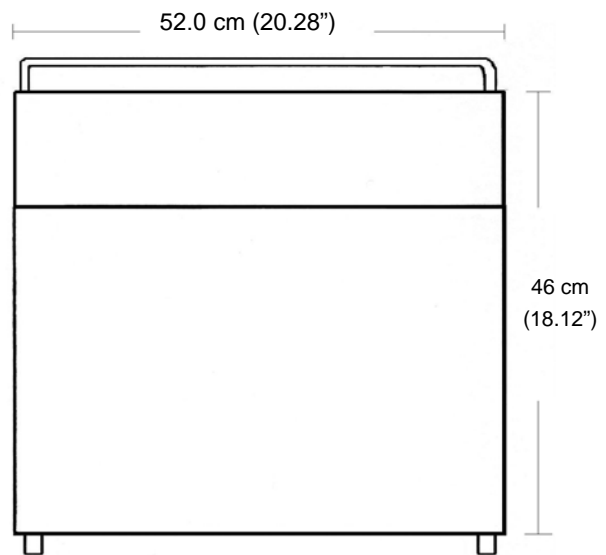


## 特色

- 輕巧體積，不佔空間，適合各類場所
- 採用壓縮機冷卻系統，冷凍冷藏均可調節
- 低耗能高效率冷卻，降低物品酸化風險
- 搭配全自動咖啡設計，外型高雅
- 裝設冷凝水盤，保持庫內乾燥並輔助散熱力
- 散熱器採用全銅管風扇式冷卻設計
- 箱體兩側為最佳廣告看板



FRONT VIEW



SIDE VIEW

SPECIFICATION	CAPACITY	DIMENSION	
110V, 1Ph, 60Hz	3.8 Liter	25 cm (9.84")W x 51.5 cm (20.28")D x 52.5 cm (20.67")H	
TEMPERATURE	DEFROSTING	INSTALLATION ENVIRONMENT	ACCESSORIES
0 ~ +4°C (Digital Display)	Manual Control	Room Temp. 25°C, 70% RH*, Avoid Sunlight	Key Lock

\*RH= Relative Humidity