



Ovens

ADVANCE PLUS ovens

ADVANCE PLUS OVEN, APE-202

19010954

DIMENSIONS

		Article	Packed
Length	mm	1.162,00	1.200,00
Depth	mm	1.074,00	1.200,00
Height	mm	1.841,00	2.000,00
Weigth	Kg	405,00	430,00
Volumen	m3	2,30	2,88

ELECTRICITY

Electric power		KW	62,40
230V - I+N			
230V - III		3x70+T	-180 A
400V - III+N		4x35+T	- 125 A

PLUMBING - WATER

Water consumption (lit/h)			40,00
Pressure (Kg/cm2)			2 - 4

GAS

Not used

STEAM

Not used

AIR

Not used

LEVEL SOUND

(dB) 62,00

ADVANCE PLUS OVEN, APE-202

Innovative technology in the kitchen :

- Professional quality
- Precision, excellence and perfect results
- Save time and money

Capacity for 40 1/1-GN trays or 20 2/1-GN trays.

"Touch control" screen.

4 cooking methods: Steam, Adjustable Steam (Humidity control during cooking), Regeneration and Convection (up to 300°C).

Preheating option.

Fagor Easy cooking mode.

Fagor Cooking, range of cooking programmes.

Fagor Multi-Tray System, control cooking by tray.

Delayed programming for: Cooking, Low-temperature cooking and Washing.

Memory function: records the different cooking methods used.

3 Speeds - 2 power ranges.

Cold-Down chamber cooling system.

"Auto-reverse" system to reverse fan rotation.

5 wash programmes.

Multisensor temperature probe.

PC management software: History, recipes. HACCP, manuals...

HACCP cooking data recording system.

Steam generator equipped with limescale detector.

Steam generator automatically empties every 24 hours of cooking.

Semi-automatic limescale removal system.

Error detection system.

"Repair service" mode system.

IPX-5 protection.

Retractable shower.

Built-in trolley and structure for trays.

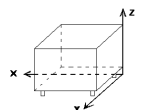
Power: 62.4 KW.

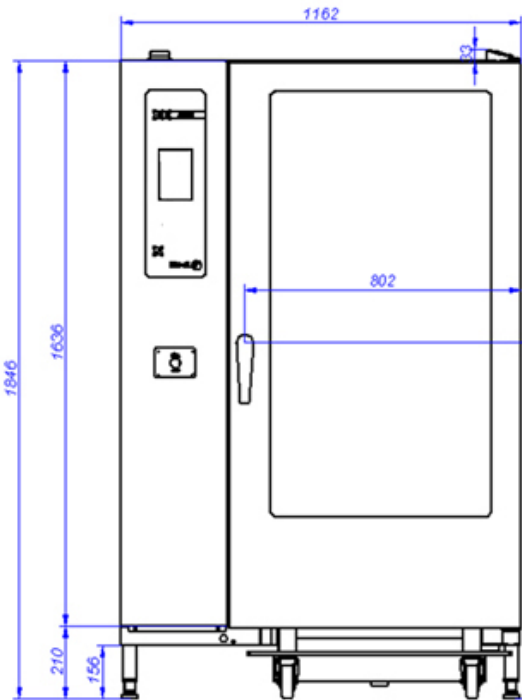
Dimensions: 1,162 x 1,074 x 1,841 mm.

Accessories in option:

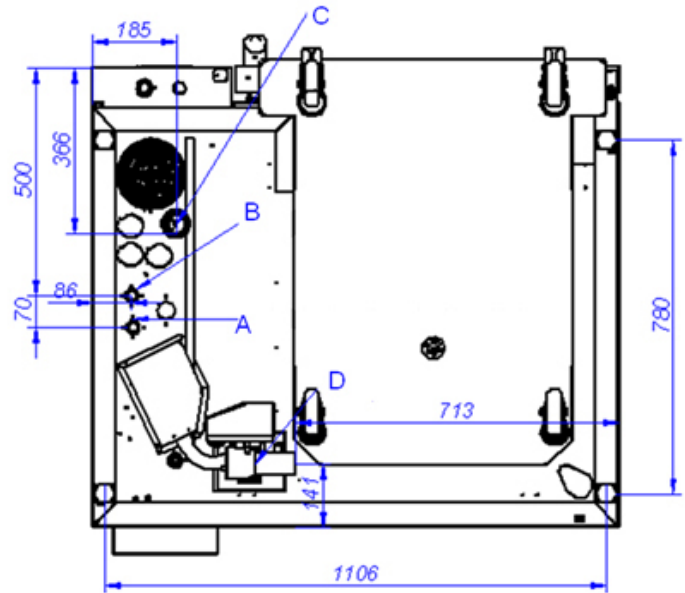
- Loading trolley for dishes CEP-202
- Thermal cover LT-202
- GN trays, grids, moulds...

Connections points	X	Y	Z	Diameter	Information
ELECTRICITY	977	574	110		
COLD WATER	1.076	504	110	3/4"	
DRAIN	713	201	110	30x25	
SOFT COLD WATER	1.076	574	110	3/4"	

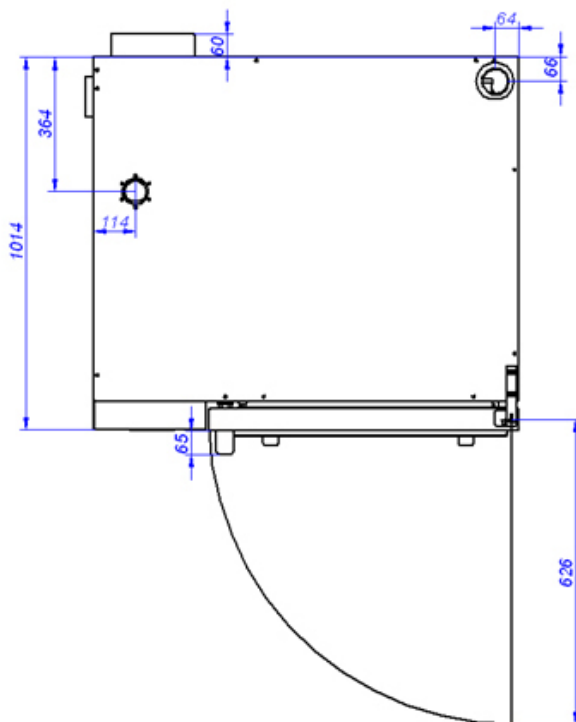




APE-202



VISTA DE LA BASE DESDE LA PARTE INFERIOR
VIEW FROM THE BOTTOM OF THE MACHINE



A: Entrada de agua blanda
B: Entrada de agua dura
D: Desagüe

C: Alimentación eléctrica

A: Soft water inlet
B: Water inlet
D: Drain

C: Electrical connection