

Hoshizaki America, Inc.

Draft Beer Dispenser

Model
DBF-25SD-SWA



"A Superior Degree
of Reliability"

www.hoshizaki.com

PARTS LIST



Number: B009-3879
Issued: 9-19-2013
Revised: 18-2-2014

Auxiliary Codes

DBF-25SD-SWA	C-0	Sep 2013
	C-1	Oct 2013
	D-0	Jan 2014

Auxiliary Code Breakdown

The auxiliary code is the first two characters in the serial number. The first character indicates the year. Years progress or regress in alphabetical order. The series runs from "A" through "V" and the letters "I" and "O" are skipped. The second character indicates significant part changes within a year. Base is "0" and this number advances for each change. In cases where there is a letter in parentheses, this designates the month. This is the last character in the serial number. The series runs from "(A)" through "(M)" and the letter "(I)" is skipped. This designation is only included when identifying a parts change within an auxiliary code.

Note About Ordering Parts

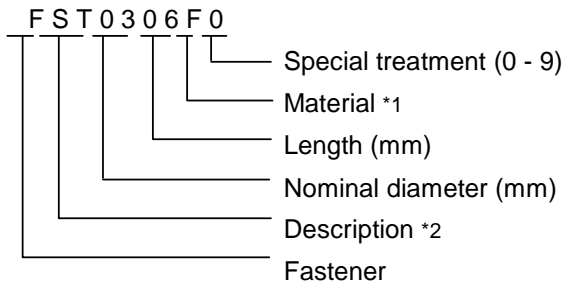
Most assemblies cannot be ordered as complete units; parts in the assemblies generally must be ordered separately.

MARKS LOCATED UNDER THE AUXILIARY CODE

- = Part deleted.
- x = Part deleted and replaced by "o" part.
- o = New part in place of "x" part.

FASTENER PART NUMBER

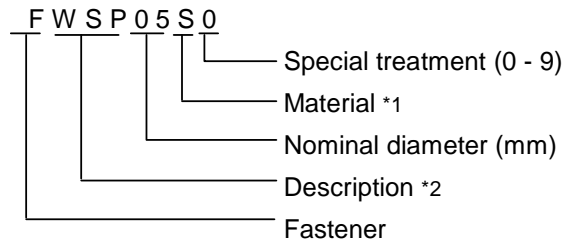
SCREWS



*1 Material

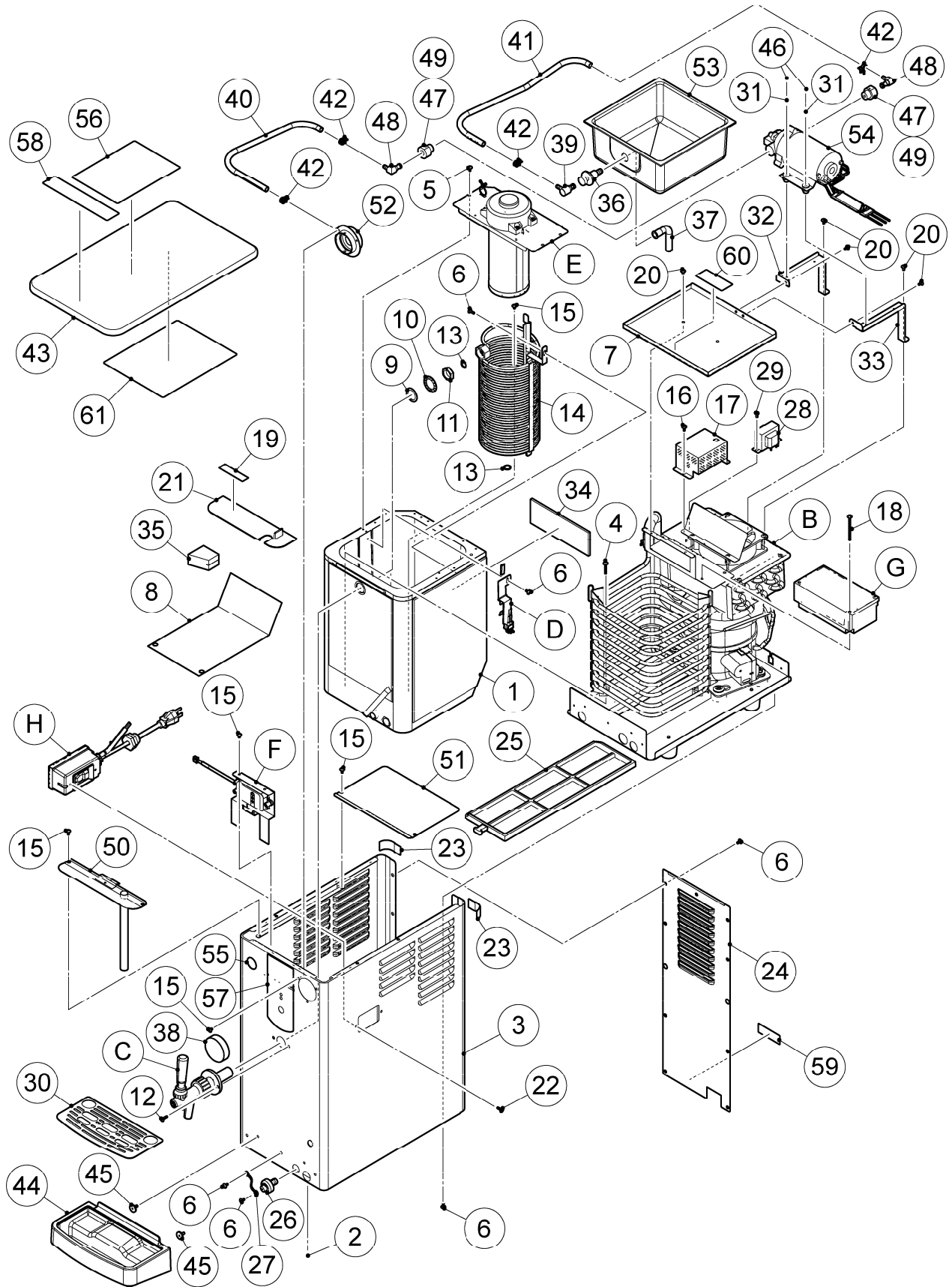
- F: Steel
- S: Austenitic stainless steel
- M: Martensitic stainless steel
- B: Copper alloy
- P: Polycarbonate
- N: Polyamide
- V: PVC
- A: ABS
- X: Polyacetal
- L: Aluminum

NUTS & WASHERS



*2 Description

- First letter
- S: Machine screw
- T: Tapping screw
- M: Wood screw
- B: Bolt
- W: Washer
- N: Nut



HA

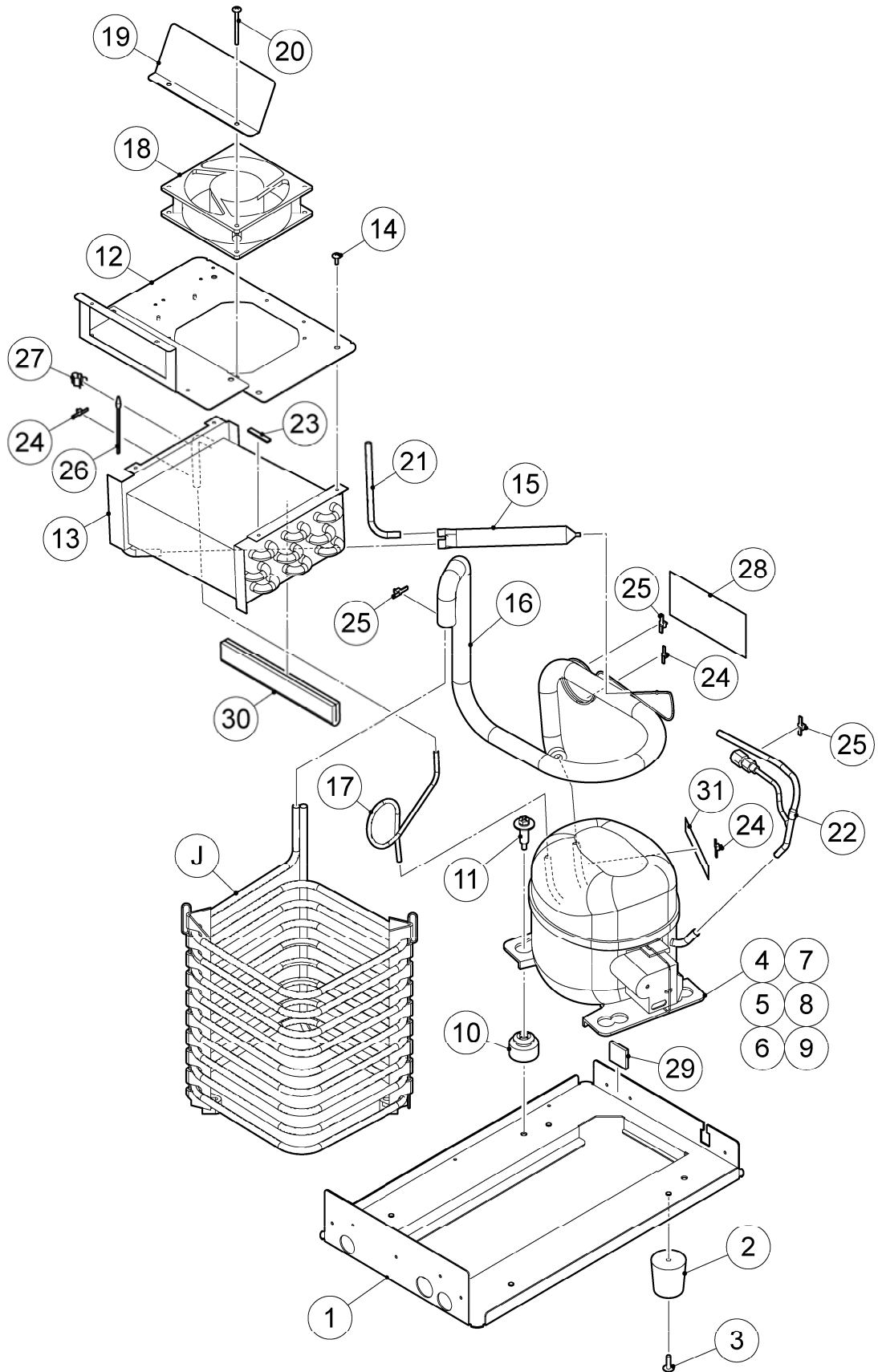
MODEL: DBF-25SD-SWA TITLE: A. WATER ELECTROLYZER ASSY							
INDEX NO.	DESCRIPTION	MATERIAL OR MODEL NUMBER	PART NUMBER	REQ'D NUMBER			
				C-0	C-1,D-0		
B	REFRIGERATION ASSY		1H4955004	1	1		
C	C TAP ASSY - SWA		3Y7787A01	1	1		
D	HOLDER ASSY - ELECTRODE		3Y4323A01	1	1		
E	MOTOR ASSY - AGITATOR 25	DBF-25S	3Y6087A01	1	1		
F	OPERATION BOX		3Y7072A01	1	1		
G	CONTROL BOX AY		2X1807A01	1	1		
H	ELBAY/SWA		3Y7789A01	1	1		
M	ACCESSORIES		A02865-01	1	1		
1	TANK - INSULATION		113155G01	1	1		
2	PAN HEAD SCREW		FSP0506S0	1	1		
3	CABINET - SWA		3Y7369G01	1	-		
			3Y7369G02	-	1		
4	T2 TRUSS HEAD SCREW		FT20425M0	2	2		
5	T1 TRUSS HEAD SCREW		FT10408M0	6	6		
6	T2 TRUSS HEAD SCREW		FT20408M0	20	20		
7	COVER - WATER		3Y7379M01	1	1		
8	BOTTOM COVER - TANK		3Y4500M01	1	1		
9	WASHER - TAP		458285-01	1	1		
10	TOOTH WASHER		TS5170561	1	1		
11	NUT - TAP		458286-01	1	1		
12	LAMI-TITE SCREW	4x14 SUS	P00449-02	2	2		
13	O-RING		7611AP010	2	2		
14	COIL - 25S		238887G01	1	1		
15	TRUSS HEAD SCREW		FST0406S0	8	8		
16	TRUSS HEAD SCREW		FST0408F0	2	2		
17	COVER - TRANSFORMER (SWA)		2X1574M01	1	1		
18	TRUSS HEAD SCREW		FST0460S0	2	2		
19	LABEL - INNER COVER		474706L01	1	1		
20	TRUSS HEAD SCREW		FST0408S0	6	6		
21	COVER - TANK (IN)		4Y6128G01	1	1		
22	TRUSS HEAD TAPPING SCREW T2		FT20412M0	2	2		
23	SPONGE TAPE		TS6436121	2	2		

HA

MODEL: DBF-25SD-SWA TITLE: A. WATER ELECTROLYZER ASSY							
INDEX NO.	DESCRIPTION	MATERIAL OR MODEL NUMBER	PART NUMBER	REQ'D NUMBER			
				C-0	C-1,D-0		
24	REAR PANEL - SWA		3Y7400M01	1	-		
			3Y7400M02	-	1		
25	AIR FILTER		TL8341531	1	1		
26	DRAIN CAP		351124-01	1	1		
27	CABLE - CAP		4Y6404P01	1	1		
28	TRANSFORMER		P01417-01	1	1		
29	PAN HEAD MACHINE SCREW		FSP0408F0	2	2		
30	GRILLE (S)		3Y6089M01	1	1		
31	WASHER		4Y1419-01	4	4		
32	ANGLE (A) - PUMP		3Y7380M01	1	1		
33	ANGLE (B) - PUMP		3Y7381M01	1	1		
34	SPACER (A)		4Y5994P01	1	1		
35	SPACER (B)		4Y6004P01	1	1		
36	COUPLER - BODY		457311-01	1	1		
37	HOSE - SUCTION		457307-01	1	1		
38	CAP - JOINT		457306-01	1	1		
39	COUPLER - INSERT		457312-01	1	1		
40	HOSE - COIL (430)		462001-20	1	1		
41	HOSE - COIL (480)		462001-42	1	1		
42	WIRE HOSE BAND		7800-S011	4	4		
43	TOP PANEL - 25		3Y6063M01	1	1		
44	DRAIN PAN (S)		1H4976P01	1	1		
45	SCREW - DRAIN PAN		4Y7926M01	2	2		
46	HEX HEAD BOLT (SPRING WASHER AND FLAT WASHER)		FBK0425S0	4	4		
47	SLEEVE		4Y5996P01	2	2		
48	JOINT		457309-01	2	2		
49	PAN HEAD SCREW		FSP0406S0	3	3		
50	COVER - FRONT		4Y6130G01	1	1		
51	COVER - REAR		3Y4393M01	1	1		
52	JOINT - HEAD		354925G01	1	1		
53	TANK ASSY		231638-01	1	1		
54	DIAPHRAGM PUNP	UL/NSF	P01419-01	1	1		
55	CHARACTER LABEL - PENGUIN		448818-02	1	1		

HA

MODEL: DBF-25SD-SWA TITLE: A. WATER ELECTROLYZER ASSY							
INDEX NO.	DESCRIPTION	MATERIAL OR MODEL NUMBER	PART NUMBER	REQ'D NUMBER			
				C-0	C-1,D-0		
56	INSTRUCTION LABEL		379514L01	1	1		
57	OPERATION LABEL		378949L01	1	1		
58	PL LABEL - AIR FILTER		479029L01	1	1		
59	CAUTION LABEL		473949L01	1	1		
60	CAUTION LABEL		473950L01	1	1		
61	WIRING LABEL (SWA)		3Y7788L01	1	1		

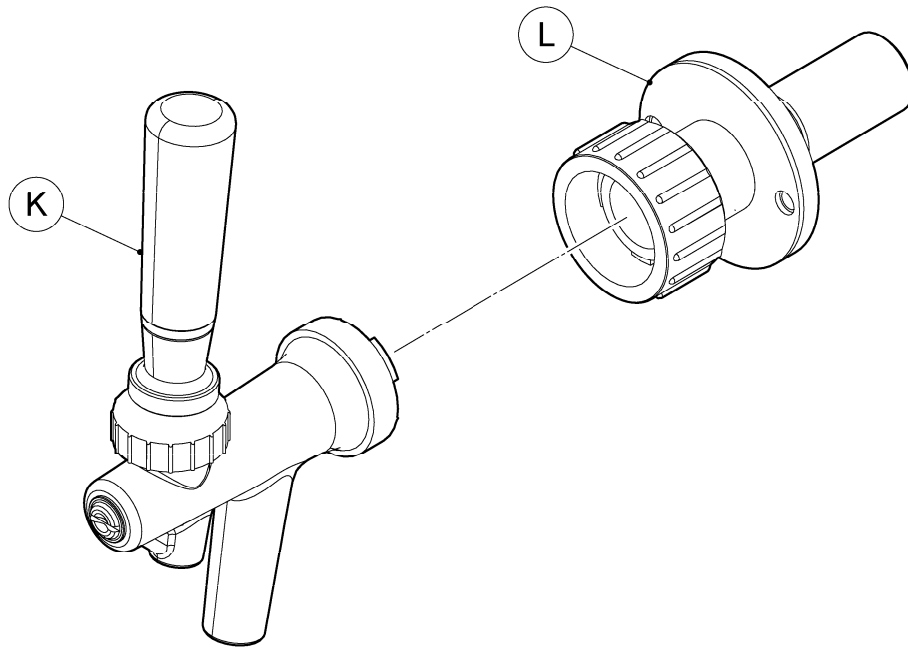


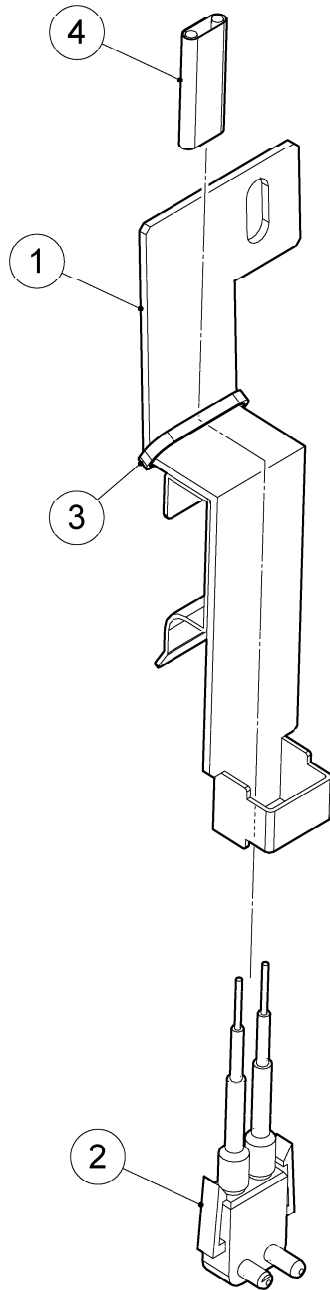
HA

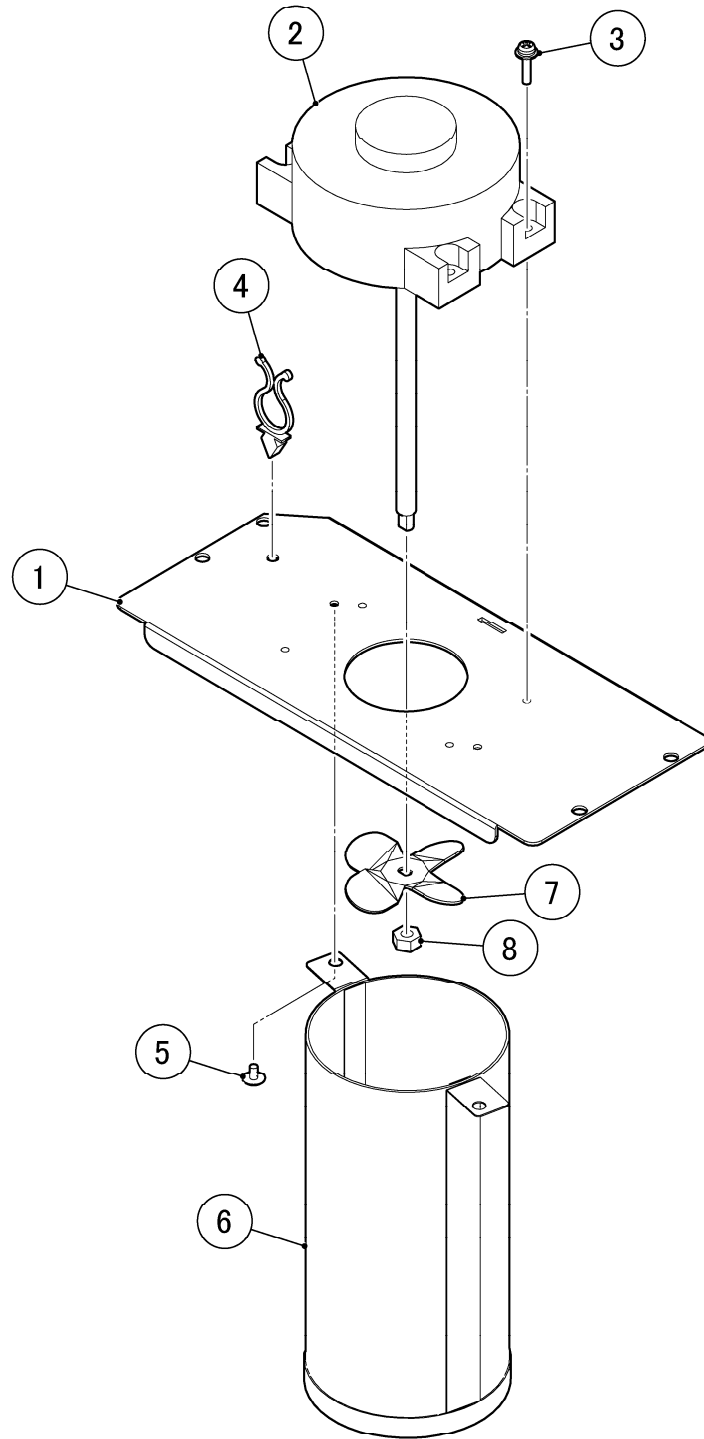
MODEL: DBF-25SD-SWA TITLE: B. REFRIGERATION ASSY							
INDEX NO.	DESCRIPTION	MATERIAL OR MODEL NUMBER	PART NUMBER	REQ'D NUMBER			
				C-0	C-1,D-0		
J	EVAPORATOR ASSY		238888A02	1	1		
1	BASE (G) - SWA		4Y8409G01	1	1		
2	RUBBER LEG		TS6218891	4	4		
3	TRUSS HEAD SCREW		FST0516S0	4	4		
4	COMPRESSOR		P03155-01	1	1		
5	TERMINAL COVER		451040-01	1	1		
6	STARTER		451039-01	1	1		
7	CORD		451042-01	1	1		
8	MOTOR PROTECTOR		451038-01	1	1		
9	STRAP		451041-01	1	1		
10	RUBBER GROMMET		P02013-01	4	4		
11	BOLT M6		448834-03	2	2		
12	SHROUD (G) - 25SWA		3Y7378G01	1	1		
13	CONDENSER		P02559-01	1	1		
14	TRUSS HEAD SCREW		FST0410F0	4	4		
15	DRIER	DY-15QHD-11	458774-01	1	1		
16	HEAT EXCHANGER		2X0818G01	1	1		
17	COPPER TUBE(D)		4Y7479M01	1	1		
18	FAN MOTOR ASSY - SWA		4Y8420G01	1	1		
19	GUIDE - FM		4Y8154M01	1	1		
20	TRUSS HEAD SCREW		FST0445F0	4	4		
21	CHARGE TUBE		458154-01	1	1		
22	CHARGE TUBE - 25		4Y7852G01	1	1		
23	SCOTCH TAPE		1H4955Z01	1	1		
24	TIE	CV-100	7920-0002	3	3		
25	TIE	CV-150	7920-0003	3	3		
26	THERMISTOR - FILTER		4R2692-04	1	1		
27	CLIP-THERMISTOR		4R2938-01	1	1		
28	INSULATION - CAPILLARY		4Y7877P01	1	1		

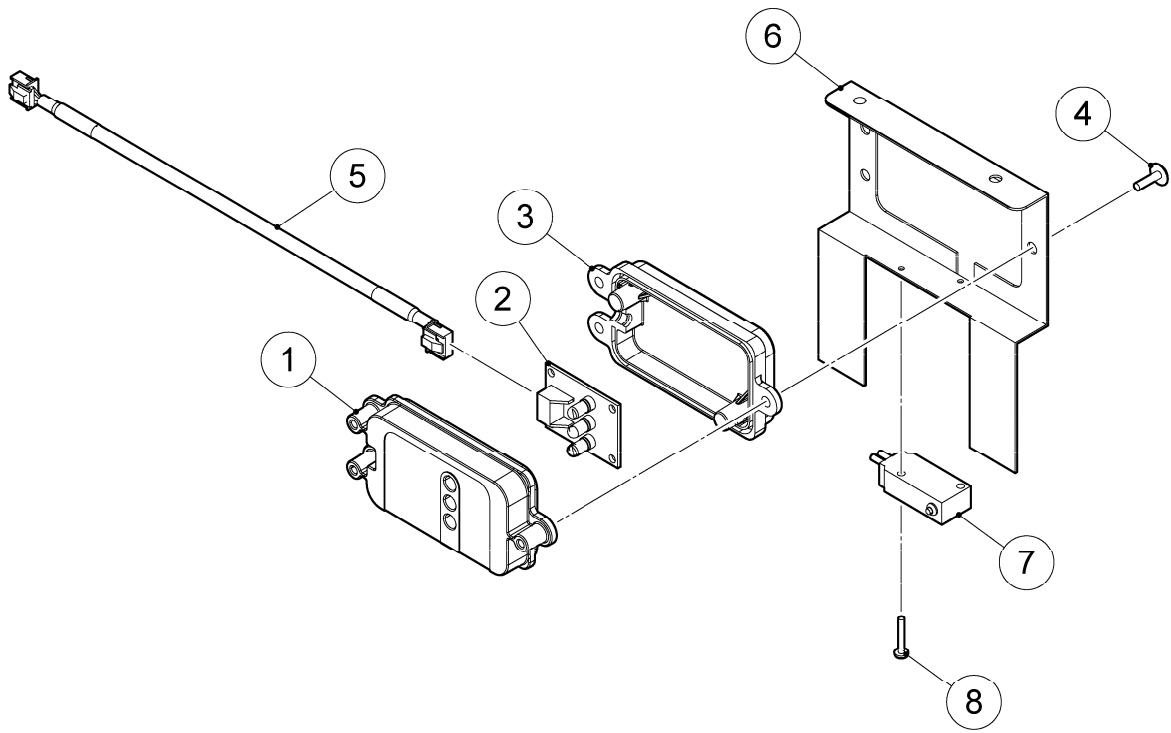
HA

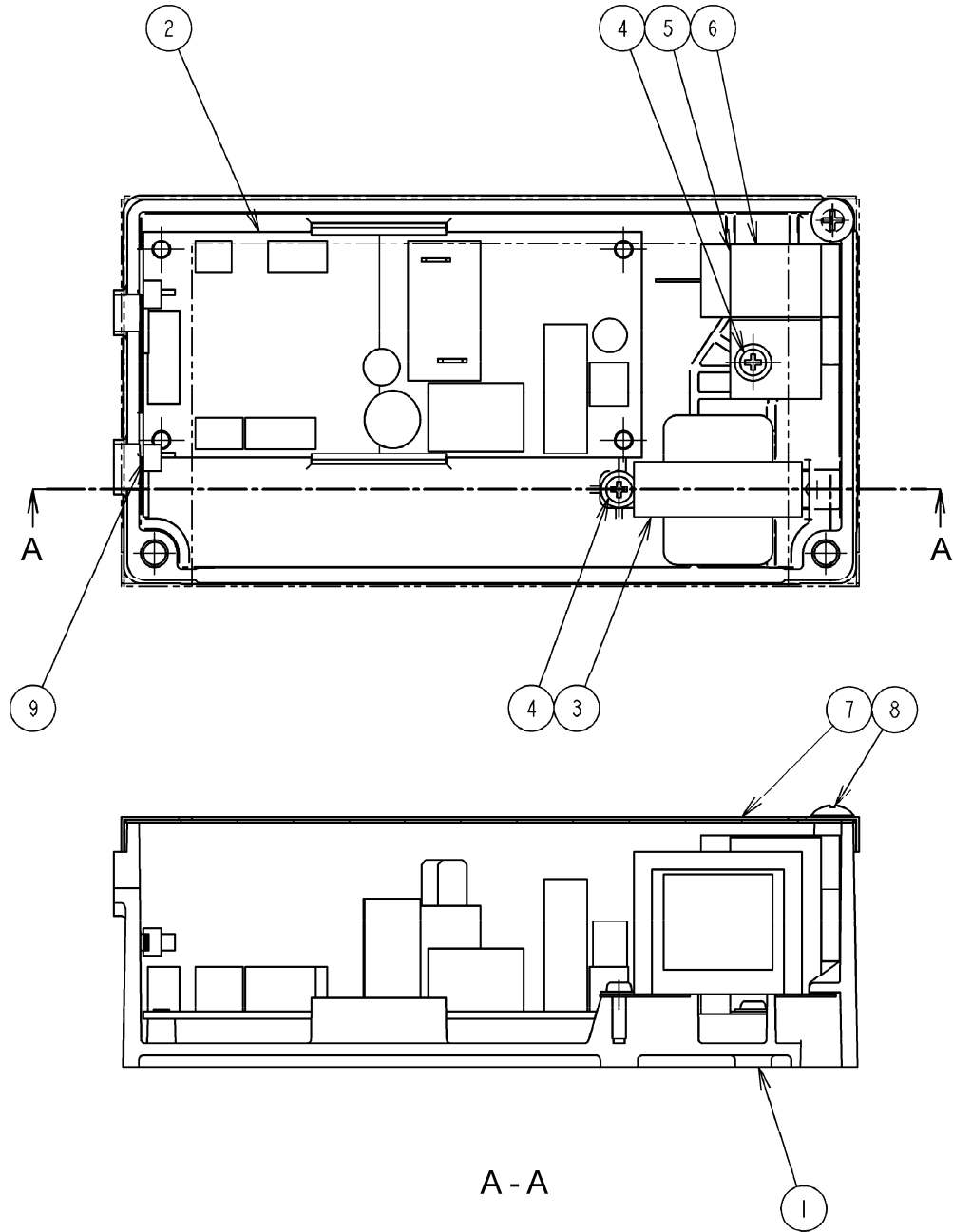
MODEL: DBF-25SD-SWA TITLE: B. REFRIGERATION ASSY							
INDEX NO.	DESCRIPTION	MATERIAL OR MODEL NUMBER	PART NUMBER	REQ'D NUMBER			
				C-0	C-1,D-0		
29	INSULATION TAPE - CM		4Y7902Z01	1	1		
30	SPACER (A)		4Y5994P01	1	1		
31	INSULATION TAPE - COMP		4Y7961Z01	1	1		

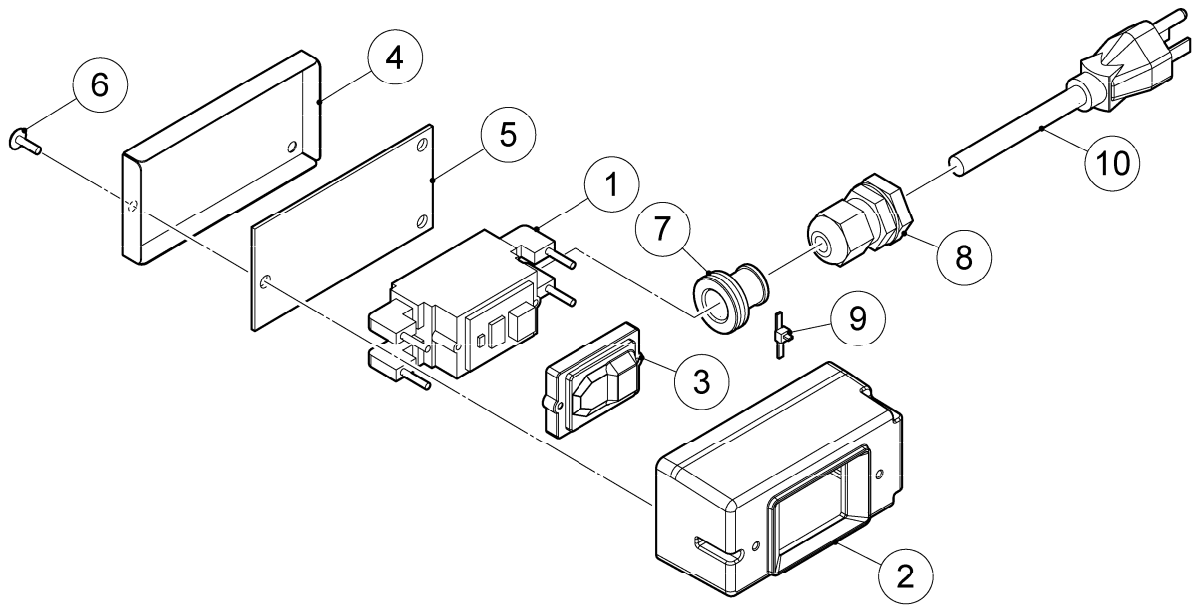


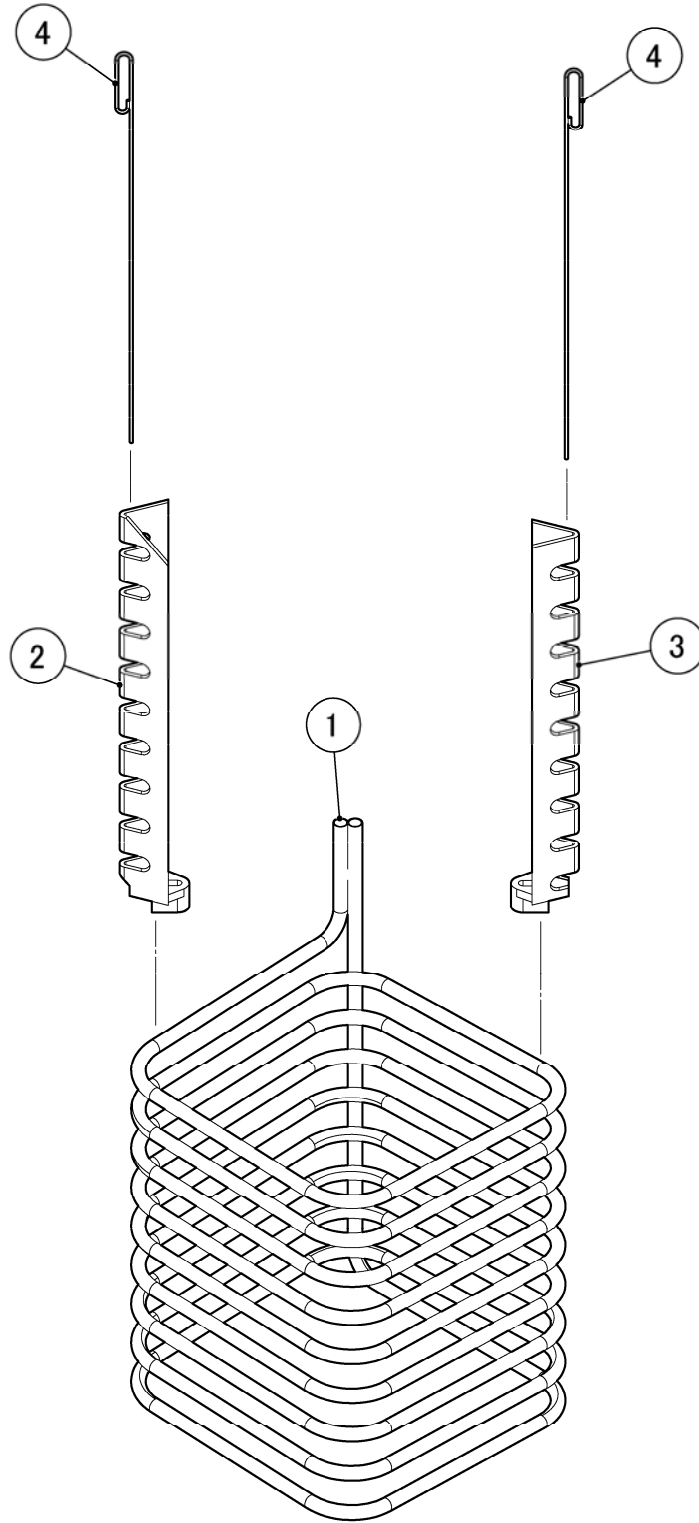












(S-21913)

DBF-25SD-SWA

K. BEER TAP ASSY - CNSF

(C-0) and later

