

Hoshizaki America, Inc.

Modular Flaker

Models

F-1001MAJ(-C)

F-1001MWJ(-C)

F-1001 MRJ(-C)

F-1001MLJ(-C)



“A Superior Degree
of Reliability”

www.hoshizaki.com

PARTS LIST



Number: 71355
Issued: 8-28-2014
Revised: 2-3-2016

CONTENTS

| | |
|--|----|
| Note About Ordering Parts | 3 |
| A. Main Assembly & Refrigeration Circuit | 4 |
| F-1001MAJ(-C) | 4 |
| F-1001MWJ(-C) | 7 |
| F-1001MRJ(-C) | 10 |
| F-1001MLJ(-C)..... | 13 |
| B. Icemaking Unit | 16 |
| C. Water Circuit..... | 18 |
| D. Control Box Assembly..... | 20 |
| E. Accessories & Labels | 22 |

Auxiliary Codes

F-1001MAJ

D-0 July 2014
E-0 January 2015
F-0 January 2016

F-1001MWJ

D-0 September 2014
E-0 February 2015

F-1001MRJ

D-1 September 2014
E-0 January 2015
F-0 January 2016

F-1001MLJ

D-0 September 2014
E-0 January 2015

F-1001MAJ-C

D-0 July 2014
E-0 January 2015
F-0 January 2016

F-1001MWJ-C

D-0 September 2014
E-0 January 2015
F-0 January 2016

F-1001MRJ-C

D-0 July 2014
D-1 September 2014
E-0 January 2015
F-0 January 2016

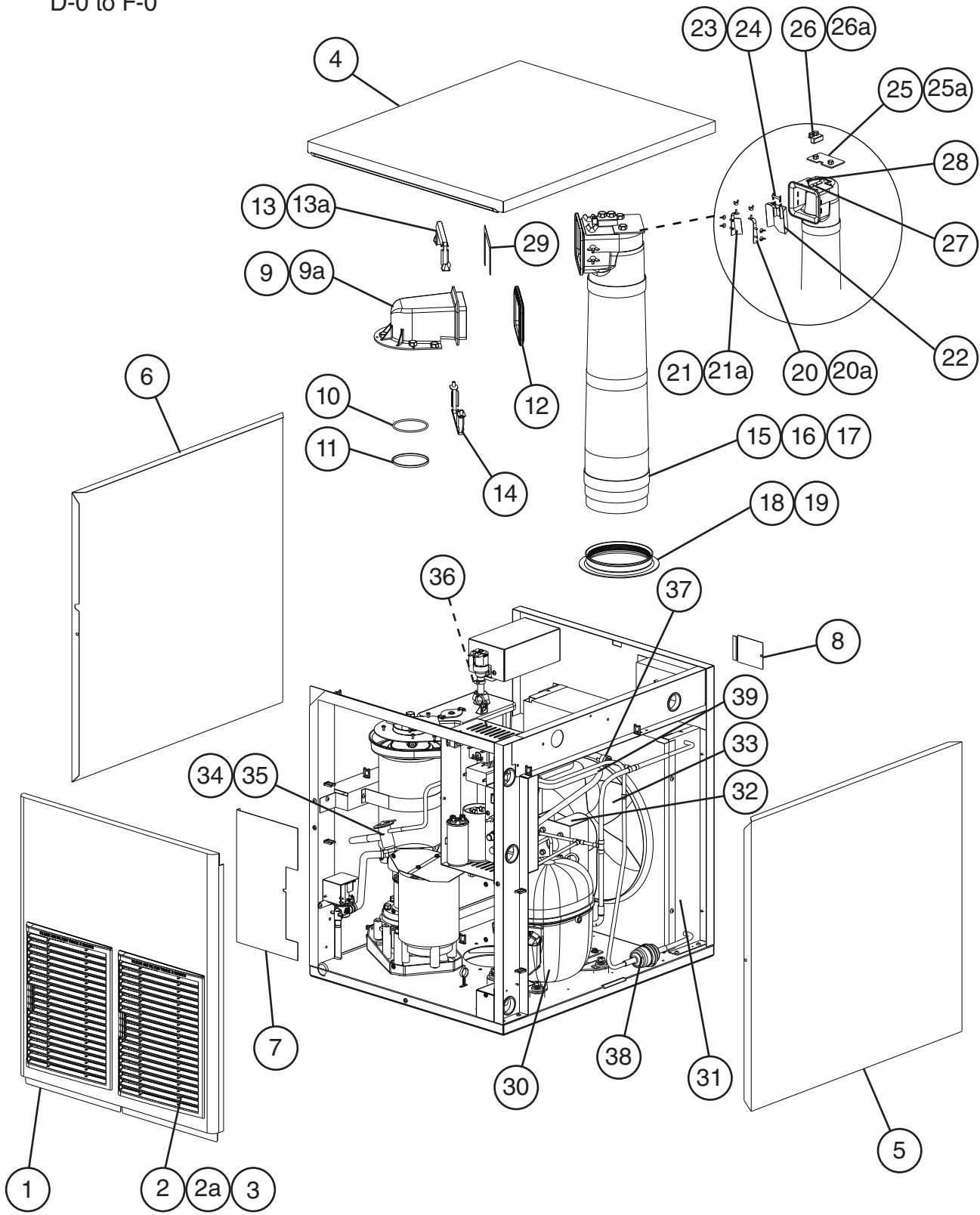
Auxiliary Code Breakdown

The auxiliary code is the first two characters in the serial number. The first character indicates the year. Years progress or regress in alphabetical order. The series runs from "A" through "V" and the letters "I" and "O" are skipped. The second character indicates significant part changes within a year. Base is "0" and this number advances for each change. In cases where there is a letter in parentheses, this designates the month. This is the last character in the serial number. The series runs from "(A)" through "(M)" and the letter "(I)" is skipped. This designation is only included when identifying a parts change within an auxiliary code.

Note About Ordering Parts

Most assemblies cannot be ordered as complete units; parts in the assemblies generally must be ordered separately.

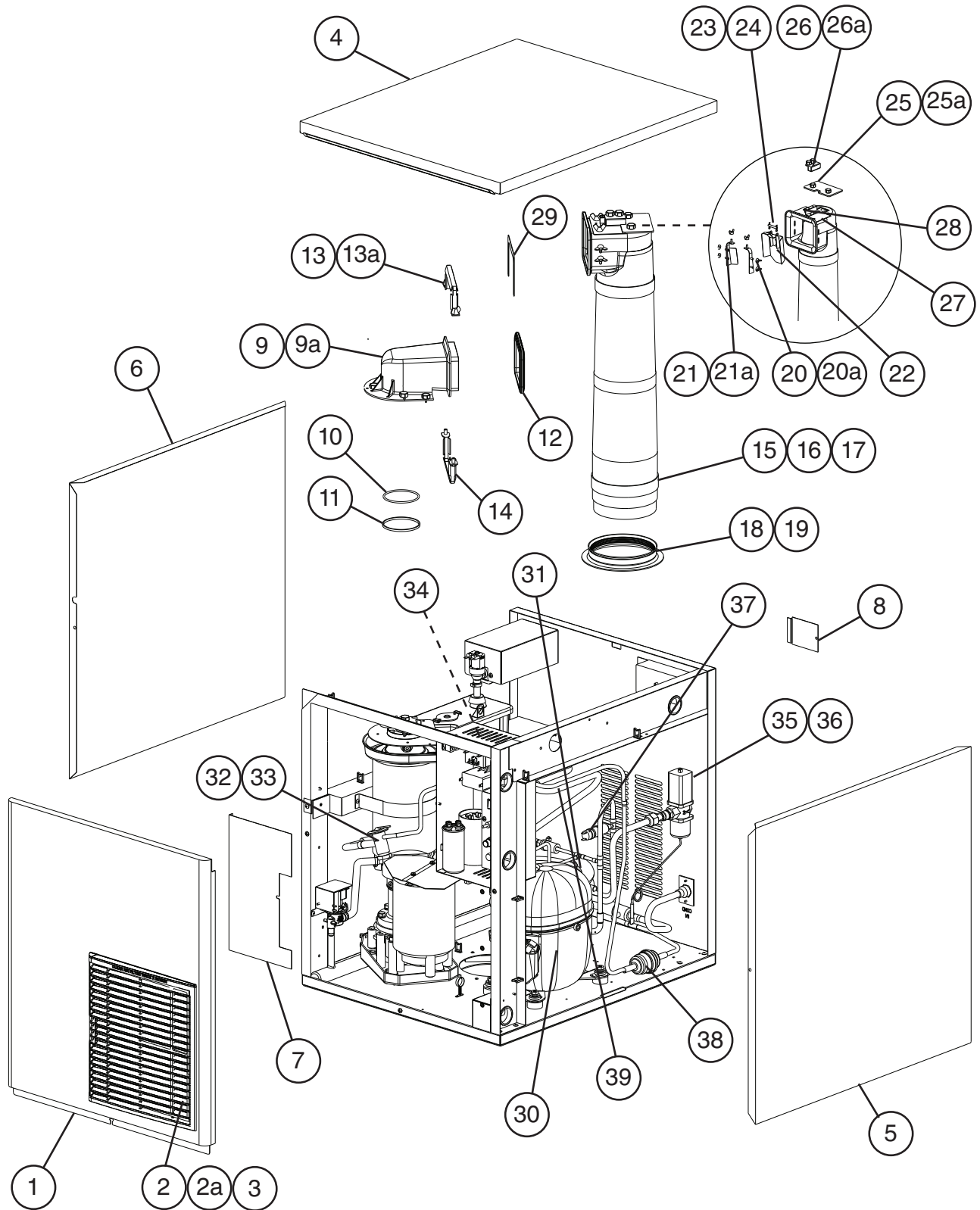
A. Main Assembly & Refrigeration Circuit
F-1001MAJ(-C)
 D-0 to F-0



| Title: A. Main Assembly & Refrigeration Circuit Model: F-1001MAJ(-C) | | | | | | | | | | | | |
|--|---|--------------------------|-------------|------------|-----------------|--|--|--|--|--|--|--|
| Index No. | Description | Material or Model Number | Part Number | D-0 to F-0 | Required Number | | | | | | | |
| | | | | | | | | | | | | |
| Main Assembly | | | | | | | | | | | | |
| 1 | Front Panel | | 2A2071-01 | 1 | | | | | | | | |
| 2 | Louver | | 1A0548-01 | 2 | | | | | | | | |
| 2a | Push Retainer | | 4A2414-01 | 6 | | | | | | | | |
| 3 | Air Filter | | 2A2063G01 | 2 | | | | | | | | |
| 4 | Top Panel | | 2A2064-01 | 1 | | | | | | | | |
| 5 | Right Side Panel | | 2A2073G01 | 1 | | | | | | | | |
| 6 | Left Side Panel | | 2A2072G01 | 1 | | | | | | | | |
| 7 | Control Box Cover | | 3A0411-01 | 1 | | | | | | | | |
| 8 | Junction Box Cover | | 433410-01 | 1 | | | | | | | | |
| 9 | Spout | | 104797-01 | 1 | | | | | | | | |
| 9a | Thumbscrew | | 415949G08 | 5 | | | | | | | | |
| 10 | O-Ring | | 4A4755-03 | 1 | | | | | | | | |
| 11 | Nylon Ring | | 432661-02 | 1 | | | | | | | | |
| 12 | Spout-to-Chute Packing | | 321037-01 | 1 | | | | | | | | |
| 13 | Upper Strap | | 328703-02 | 1 | | | | | | | | |
| 13a | Wing Nut | | 7E12-0600 | 2 | | | | | | | | |
| 14 | Lower Strap | | 321038G02 | 1 | | | | | | | | |
| 15 | Chute | | 2A1919-01 | 1 | | | | | | | | |
| 16 | Chute Insulation | | 2A1920-01 | 1 | | | | | | | | |
| 17 | Chute Tie | | 436531G01 | 3 | | | | | | | | |
| 18 | Chute Packing | | 432877-01 | 1 | | | | | | | | |
| 19 | Ring | | 3A1017-01 | 1 | | | | | | | | |
| 20 | Chute Baffle A | | 3A0400G01 | 1 | | | | | | | | |
| 20a | Wing Nut | | 7E12-0400 | 3 | | | | | | | | |
| 21 | Chute Baffle B | | 3A0399G01 | 1 | | | | | | | | |
| 21a | Wing Nut | | 7E12-0400 | 3 | | | | | | | | |
| 22 | Actuator | | 436848G01 | 1 | | | | | | | | |
| 23 | Shaft | | 436851-01 | 1 | | | | | | | | |
| 24 | Snap Pin | | 715S-0005 | 2 | | | | | | | | |
| 25 | Plate | | 4A2039-01 | 1 | | | | | | | | |
| 25a | Thumbscrew | | 415949G10 | 2 | | | | | | | | |
| 26 | Mechanical Bin Control (proximity switch) | | 4A2033-01 | 1 | | | | | | | | |
| 26a | Thumbscrew | | 415949G08 | 2 | | | | | | | | |
| 27 | Mechanical Bin Control Bracket | | 3A1744G01 | 1 | | | | | | | | |
| 28 | Truss Head Screw (ground) | | 7C32-0408 | 1 | | | | | | | | |
| 29 | Spout-to-Chute Bracket | | 4A1712-01 | 1 | | | | | | | | |

| Title: A. Main Assembly & Refrigeration Circuit Model: F-1001MAJ(-C) | | | | | | | | | | | | |
|--|--|--------------------------|-------------|-----------------|--|--|--|--|--|--|--|--|
| Index No. | Description | Material or Model Number | Part Number | Required Number | | | | | | | | |
| | | | | D-0 to F-0 | | | | | | | | |
| Refrigeration Circuit | | | | | | | | | | | | |
| 30 | Compressor | | 4A5669-01 | 1 | | | | | | | | |
| 31 | Condenser | | 211663-02 | 1 | | | | | | | | |
| 32 | Fan Motor | | 4A3158-01 | 1 | | | | | | | | |
| 33 | Fan Blade | | 4A0197-01 | 1 | | | | | | | | |
| 34 | Thermostatic Expansion Valve | | 4A1117-01 | 1 | | | | | | | | |
| 35 | Thermostatic Expansion Valve Cover | | 4A1168-01 | 1 | | | | | | | | |
| 36 | Thermostatic Expansion Valve Bulb Holder | | 3A0112-01 | 1 | | | | | | | | |
| 37 | High-Pressure Switch | | 463180-04 | 1 | | | | | | | | |
| 38 | Drier | | 4A2666-01 | 1 | | | | | | | | |
| 39 | Heat Exchanger | | 3A7886G01 | 1 | | | | | | | | |

A. Main Assembly & Refrigeration Circuit
F-1001MWJ(-C)
 D-0 to F-0

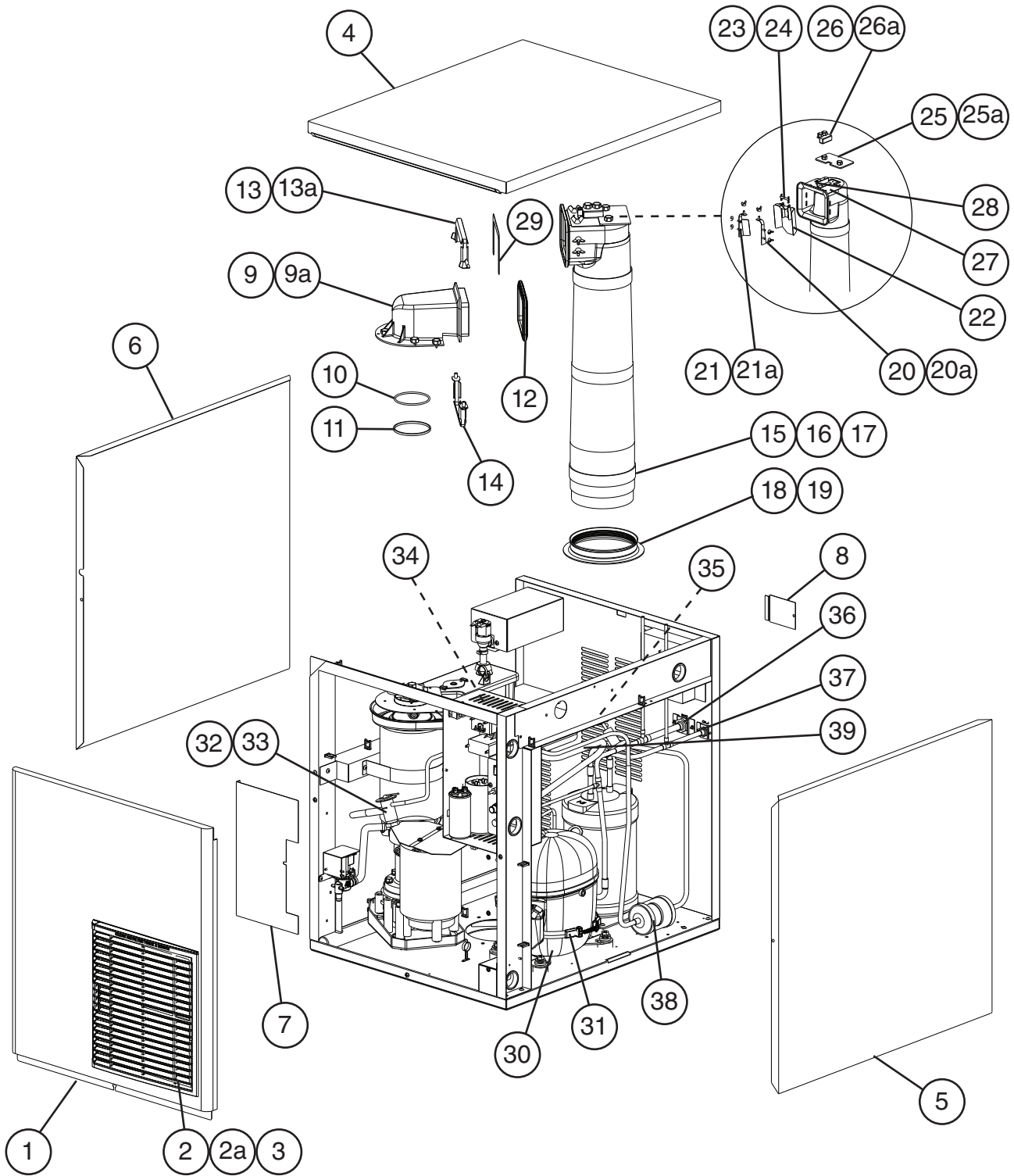


Title: A. Main Assembly & Refrigeration Circuit Model: F-1001MWJ(-C)

| Index No. | Description | Material or Model Number | Part Number | Required Number | | | | | | | |
|----------------------|---|--------------------------|-------------|-----------------|--|--|--|--|--|--|--|
| | | | | D-0 to F-0 | | | | | | | |
| Main Assembly | | | | | | | | | | | |
| 1 | Front Panel | | 2A2124-01 | 1 | | | | | | | |
| 2 | Louver | | 1A0547-01 | 1 | | | | | | | |
| 2a | Push Retainer | | 4A2414-01 | 3 | | | | | | | |
| 3 | Air Filter | | 2A2062G01 | 1 | | | | | | | |
| 4 | Top Panel | | 2A2064-01 | 1 | | | | | | | |
| 5 | Right Side Panel | | 2A2073G01 | 1 | | | | | | | |
| 6 | Left Side Panel | | 2A2072G01 | 1 | | | | | | | |
| 7 | Control Box Cover | | 3A0411-01 | 1 | | | | | | | |
| 8 | Junction Box Cover | | 433410-01 | 1 | | | | | | | |
| 9 | Spout | | 104797-01 | 1 | | | | | | | |
| 9a | Thumbscrew | | 415949G08 | 5 | | | | | | | |
| 10 | O-Ring | | 4A4755-03 | 1 | | | | | | | |
| 11 | Nylon Ring | | 432661-02 | 1 | | | | | | | |
| 12 | Spout-to-Chute Packing | | 321037-01 | 1 | | | | | | | |
| 13 | Upper Strap | | 328703-02 | 1 | | | | | | | |
| 13a | Wing Nut | | 7E12-0600 | 2 | | | | | | | |
| 14 | Lower Strap | | 321038G02 | 1 | | | | | | | |
| 15 | Chute | | 2A1919-01 | 1 | | | | | | | |
| 16 | Chute Insulation | | 2A1920-01 | 1 | | | | | | | |
| 17 | Chute Tie | | 436531G01 | 3 | | | | | | | |
| 18 | Chute Packing | | 432877-01 | 1 | | | | | | | |
| 19 | Ring | | 3A1017-01 | 1 | | | | | | | |
| 20 | Chute Baffle A | | 3A0400G01 | 1 | | | | | | | |
| 20a | Wing Nut | | 7E12-0400 | 3 | | | | | | | |
| 21 | Chute Baffle B | | 3A0399G01 | 1 | | | | | | | |
| 21a | Wing Nut | | 7E12-0400 | 3 | | | | | | | |
| 22 | Actuator | | 436848G01 | 1 | | | | | | | |
| 23 | Shaft | | 436851-01 | 1 | | | | | | | |
| 24 | Snap Pin | | 715S-0005 | 2 | | | | | | | |
| 25 | Plate | | 4A2039-01 | 1 | | | | | | | |
| 25a | Thumbscrew | | 415949G10 | 2 | | | | | | | |
| 26 | Mechanical Bin Control (proximity switch) | | 4A2033-01 | 1 | | | | | | | |
| 26a | Thumbscrew | | 415949G08 | 2 | | | | | | | |
| 27 | Mechanical Bin Control Bracket | | 3A1744G01 | 1 | | | | | | | |
| 28 | Truss Head Screw (Ground) | | 7C32-0408 | 1 | | | | | | | |
| 29 | Spout-to-Chute Bracket | | 4A1712-01 | 1 | | | | | | | |

| Title: A. Main Assembly & Refrigeration Circuit Model: F-1001MWJ(-C) | | | | | | | | | | | | |
|--|--|--------------------------|-------------|------------|-----------------|--|--|--|--|--|--|--|
| Index No. | Description | Material or Model Number | Part Number | D-0 to F-0 | Required Number | | | | | | | |
| | | | | | | | | | | | | |
| Refrigeration Circuit | | | | | | | | | | | | |
| 30 | Compressor | | 4A5669-01 | 1 | | | | | | | | |
| 31 | Condenser | | 3A7321-01 | 1 | | | | | | | | |
| 32 | Thermostatic Expansion Valve | | 4A1117-01 | 1 | | | | | | | | |
| 33 | Thermostatic Expansion Valve Cover | | 4A1168-01 | 1 | | | | | | | | |
| 34 | Thermostatic Expansion Valve Bulb Holder | | 3A0112-01 | 1 | | | | | | | | |
| 35 | Water Regulating valve | | 4A0911-04 | 1 | | | | | | | | |
| 36 | Male Connector | | 4A0770-01 | 1 | | | | | | | | |
| 37 | High-Pressure Switch | | 463180-05 | 1 | | | | | | | | |
| 38 | Drier | | 4A2666-01 | 1 | | | | | | | | |
| 39 | Heat Exchanger | | 3A7886G01 | 1 | | | | | | | | |

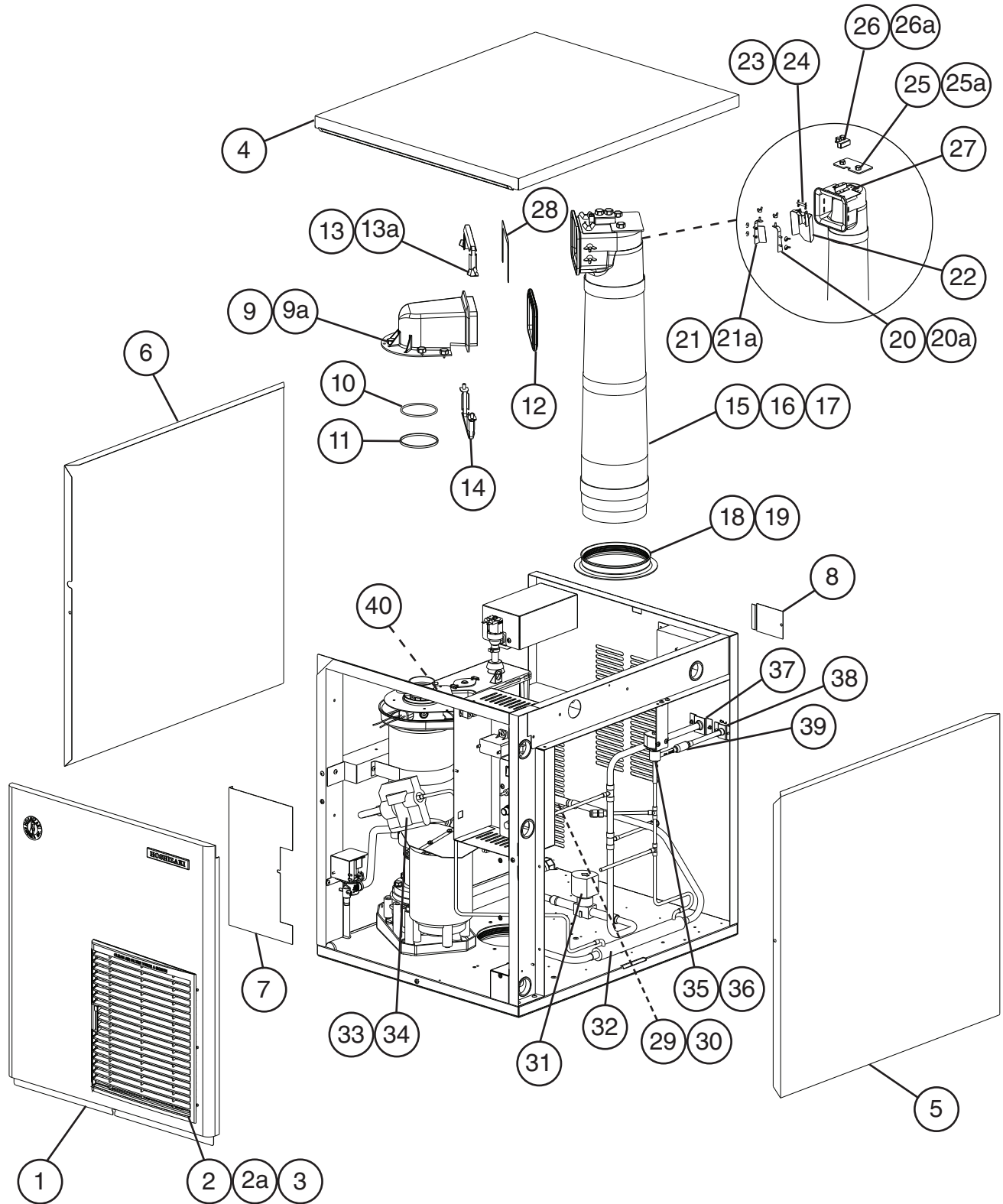
A. Main Assembly & Refrigeration Circuit
F-1001MRJ(-C)
 D-0 to F-0



| Title: A. Main Assembly & Refrigeration Circuit Model: F-1001MRJ(-C) | | | | | | | | | | | | |
|--|---|--------------------------|-------------|-----------------|------------|--|--|--|--|--|--|--|
| Index No. | Description | Material or Model Number | Part Number | Required Number | | | | | | | | |
| | | | | D-0 | D-1 to F-0 | | | | | | | |
| Main Assembly | | | | | | | | | | | | |
| 1 | Front Panel | | 2A2124-01 | 1 | 1 | | | | | | | |
| 2 | Louver | | 1A0547-01 | 1 | 1 | | | | | | | |
| 2a | Push Retainer | | 4A2414-01 | 3 | 3 | | | | | | | |
| 3 | Air Filter | | 2A2062G01 | 1 | 1 | | | | | | | |
| 4 | Top Panel | | 2A2064-01 | 1 | 1 | | | | | | | |
| 5 | Right Side Panel | | 2A2073G01 | 1 | 1 | | | | | | | |
| 6 | Left Side Panel | | 2A2072G01 | 1 | 1 | | | | | | | |
| 7 | Control Box Cover | | 3A0411-01 | 1 | 1 | | | | | | | |
| 8 | Junction Box Cover | | 433410-01 | 2 | 2 | | | | | | | |
| 9 | Spout | | 104797-01 | 1 | 1 | | | | | | | |
| 9a | Thumbscrew | | 415949G08 | 5 | 5 | | | | | | | |
| 10 | O-Ring | | 4A4755-03 | 1 | 1 | | | | | | | |
| 11 | Nylon Ring | | 432661-02 | 1 | 1 | | | | | | | |
| 12 | Spout-to-Chute Packing | | 321037-01 | 1 | 1 | | | | | | | |
| 13 | Upper Strap | | 328703-02 | 1 | 1 | | | | | | | |
| 13a | Wing Nut | | 7E12-0600 | 2 | 2 | | | | | | | |
| 14 | Lower Strap | | 321038G02 | 1 | 1 | | | | | | | |
| 15 | Chute | | 2A1919-01 | 1 | 1 | | | | | | | |
| 16 | Chute Insulation | | 2A1920-01 | 1 | 1 | | | | | | | |
| 17 | Chute Tie | | 436531G01 | 3 | 3 | | | | | | | |
| 18 | Chute Packing | | 432877-01 | 1 | 1 | | | | | | | |
| 19 | Ring | | 3A1017-01 | 1 | 1 | | | | | | | |
| 20 | Chute Baffle A | | 3A0400G01 | 1 | 1 | | | | | | | |
| 20a | Wing Nut | | 7E12-0400 | 3 | 3 | | | | | | | |
| 21 | Chute Baffle B | | 3A0399G01 | 1 | 1 | | | | | | | |
| 21a | Wing Nut | | 7E12-0400 | 3 | 3 | | | | | | | |
| 22 | Actuator | | 436848G01 | 1 | 1 | | | | | | | |
| 23 | Shaft | | 436851-01 | 1 | 1 | | | | | | | |
| 24 | Snap Pin | | 715S-0005 | 2 | 2 | | | | | | | |
| 25 | Plate | | 4A2039-01 | 1 | 1 | | | | | | | |
| 25a | Thumbscrew | | 415949G10 | 2 | 2 | | | | | | | |
| 26 | Mechanical Bin Control (proximity switch) | | 4A2033-01 | 1 | 1 | | | | | | | |
| 26a | Thumbscrew | | 415949G08 | 2 | 2 | | | | | | | |
| 27 | Mechanical Bin Control Bracket | | 3A1744G01 | 1 | 1 | | | | | | | |
| 28 | Truss Head Screw (Ground) | | 7C32-0408 | 1 | 1 | | | | | | | |
| 29 | Spout-to-Chute Bracket | | 4A1712-01 | 1 | 1 | | | | | | | |

| Title: A. Main Assembly & Refrigeration Circuit Model: F-1001MRJ(-C) | | | | | | | | | | | | |
|--|--|--------------------------|-------------|-----------------|------------|--|--|--|--|--|--|--|
| Index No. | Description | Material or Model Number | Part Number | Required Number | | | | | | | | |
| | | | | D-0 | D-1 to F-0 | | | | | | | |
| Refrigeration Circuit | | | | | | | | | | | | |
| 30 | Compressor | | 4A5669-01 | 1 | 1 | | | | | | | |
| 31 | Crankcase Heater | | 4A5091-01 | 1 | 1 | | | | | | | |
| 32 | Thermostatic Expansion Valve | | 4A1117-01 | 1 | - | | | | | | | |
| | | | 4A3493-01 | | 1 | | | | | | | |
| 33 | Thermostatic Expansion Valve Cover | | 4A1168-01 | 1 | 1 | | | | | | | |
| 34 | Thermostatic Expansion Valve Bulb Holder | | 3A0112-01 | 1 | 1 | | | | | | | |
| 35 | High-Pressure Switch | | 463180-04 | 1 | 1 | | | | | | | |
| 36 | Discharge Line Coupling | | 434072-01 | 1 | 1 | | | | | | | |
| 37 | Liquid Line Coupling | | 426554-01 | 1 | 1 | | | | | | | |
| 38 | Drier | | 4A1338-01 | 1 | 1 | | | | | | | |
| 39 | Heat Exchanger | | 3A7886G01 | 1 | 1 | | | | | | | |

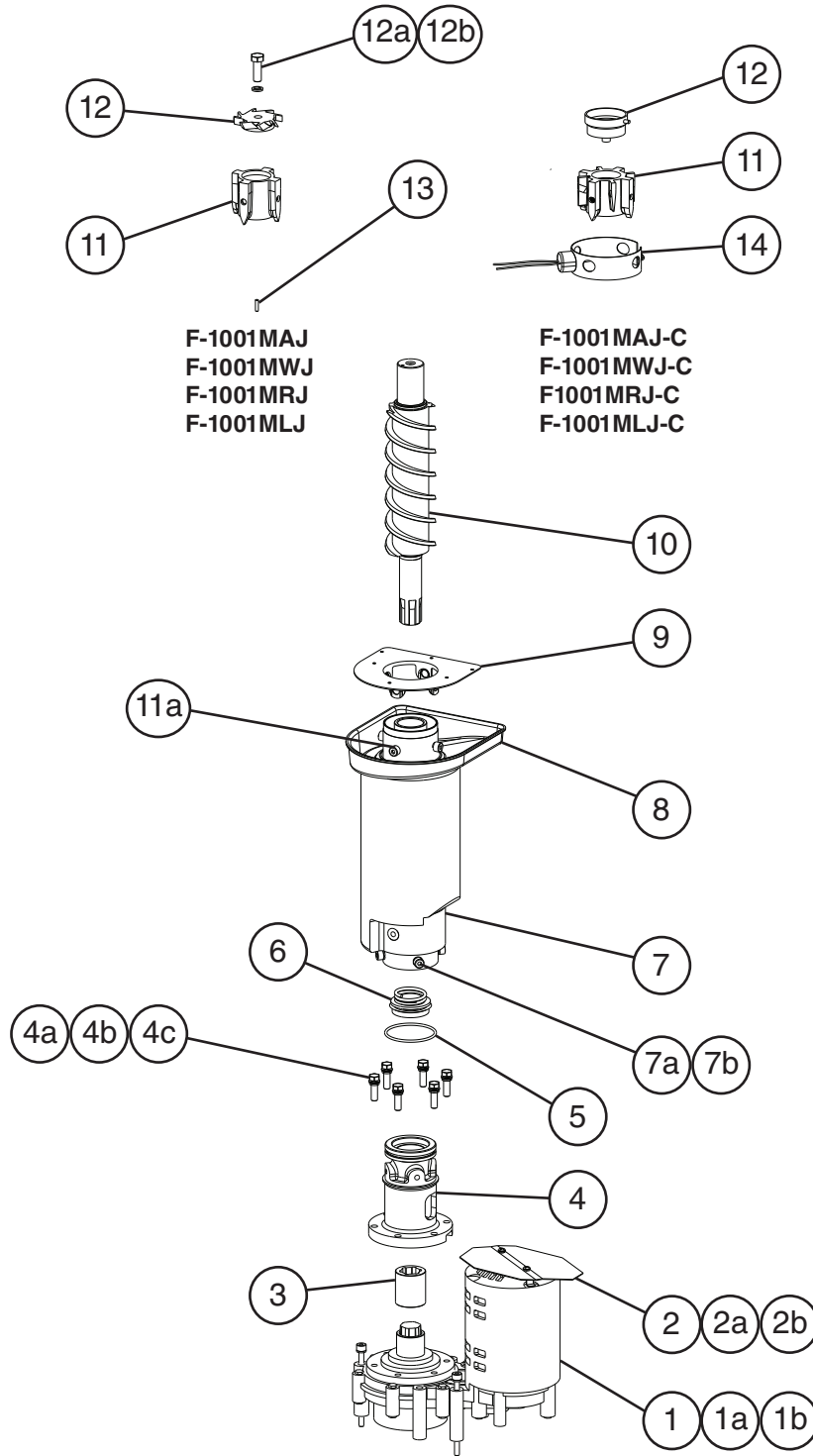
A. Main Assembly and Refrigeration Circuit
F-1001MLJ(-C)
 D-0, E-0



| Title: A. Main Assembly & Refrigeration Circuit Model: F-1001MLJ(-C) | | | | | | | | | | | | |
|--|---|--------------------------|-------------|-----------------|--|--|--|--|--|--|--|--|
| Index No. | Description | Material or Model Number | Part Number | Required Number | | | | | | | | |
| | | | | D-0 | | | | | | | | |
| Main Assembly | | | | | | | | | | | | |
| 1 | Front Panel | | 2A2124-01 | 1 | | | | | | | | |
| 2 | Louver | | 1A0547-01 | 1 | | | | | | | | |
| 2a | Push Retainer | | 4A2414-01 | 3 | | | | | | | | |
| 3 | Air Filter | | 2A2062G01 | 1 | | | | | | | | |
| 4 | Top Panel | | 2A2064-01 | 1 | | | | | | | | |
| 5 | Right Side Panel | | 2A2073G01 | 1 | | | | | | | | |
| 6 | Left Side Panel | | 2A2072G01 | 1 | | | | | | | | |
| 7 | Control Box Cover | | 3A0411-01 | 1 | | | | | | | | |
| 8 | Junction Box Cover | | 433410-01 | 1 | | | | | | | | |
| 9 | Spout | | 104797-01 | 1 | | | | | | | | |
| 9a | Thumbscrew | | 415949G08 | 5 | | | | | | | | |
| 10 | O-Ring | | 4A4755-03 | 1 | | | | | | | | |
| 11 | Nylon Ring | | 432661-02 | 1 | | | | | | | | |
| 12 | Spout-to-Chute Packing | | 321037-01 | 1 | | | | | | | | |
| 13 | Upper Strap | | 328703-02 | 1 | | | | | | | | |
| 13a | Wing Nut | | 7E12-0600 | 2 | | | | | | | | |
| 14 | Lower Strap | | 321038G02 | 1 | | | | | | | | |
| 15 | Chute | | 2A1919-01 | 1 | | | | | | | | |
| 16 | Chute Insulation | | 2A1920-01 | 1 | | | | | | | | |
| 17 | Chute Tie | | 436531G01 | 1 | | | | | | | | |
| 18 | Chute Packing | | 432877-01 | 1 | | | | | | | | |
| 19 | Ring | | 3A1017-01 | 1 | | | | | | | | |
| 20 | Chute Baffle A | | 3A0400G01 | 1 | | | | | | | | |
| 20a | Wing Nut | | 7E12-0400 | 3 | | | | | | | | |
| 21 | Chute Baffle B | | 3A0399G01 | 1 | | | | | | | | |
| 21a | Wing Nut | | 7E12-0400 | 3 | | | | | | | | |
| 22 | Actuator | | 436848G01 | 1 | | | | | | | | |
| 23 | Shaft | | 436851-01 | 1 | | | | | | | | |
| 24 | Snap Pin | | 715S-0005 | 2 | | | | | | | | |
| 25 | Plate | | 4A2039-01 | 1 | | | | | | | | |
| 25a | Thumbscrew | | 415949G10 | 2 | | | | | | | | |
| 26 | Bin Control (proximity switch) | | 4A2033-01 | 1 | | | | | | | | |
| 26a | Thumbscrew | | 415949G08 | 2 | | | | | | | | |
| 27 | Bin Control Bracket (proximity switch) | | 3A1744G01 | 1 | | | | | | | | |
| 28 | Spout-to-Chute Bracket | | 4A1712-01 | 1 | | | | | | | | |

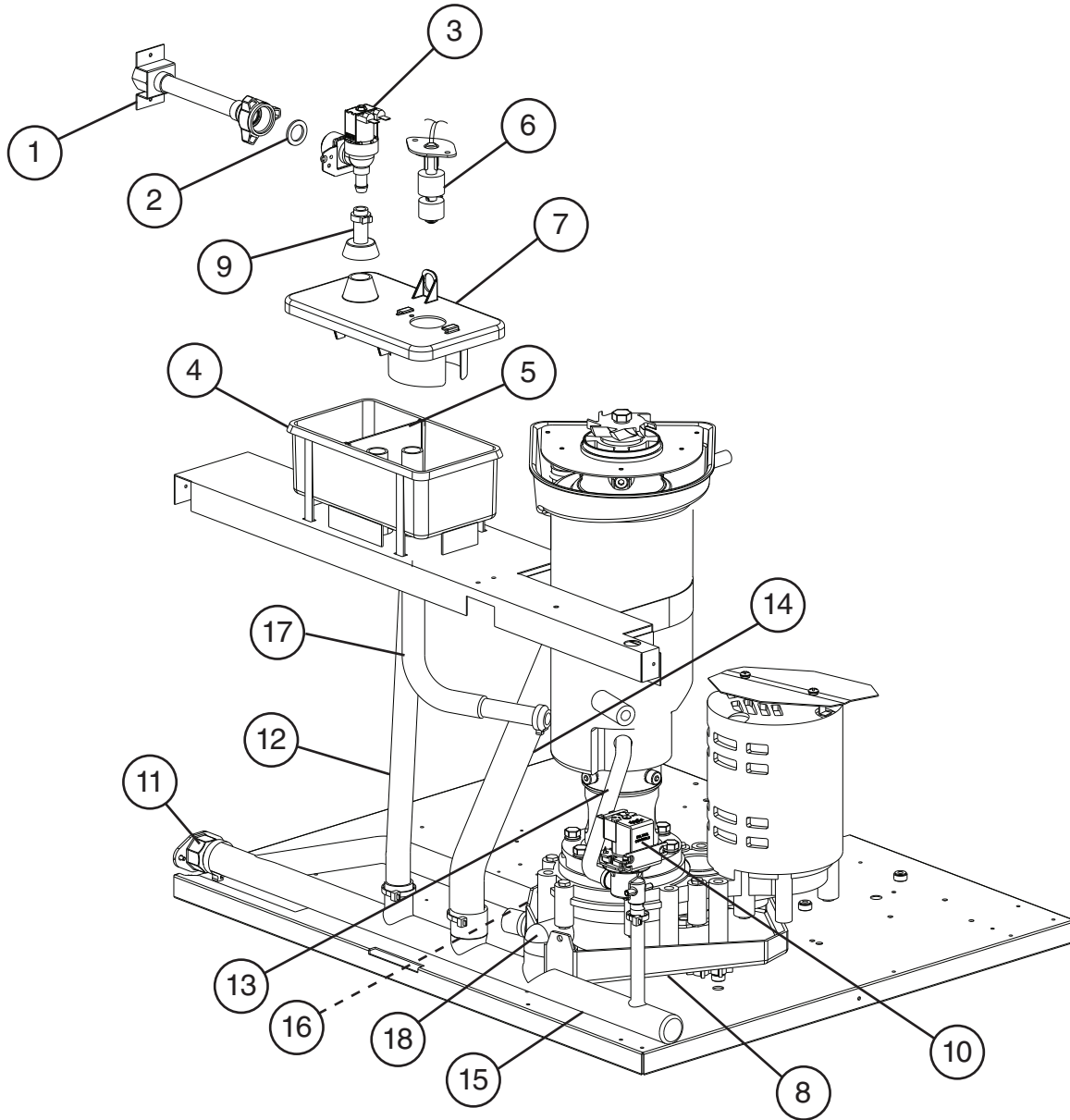
| Title: A. Main Assembly & Refrigeration Circuit Model: F-1001MLJ(-C) | | | | | | | | | | | | |
|--|---|--------------------------|-------------|-----------------|--|--|--|--|--|--|--|--|
| Index No. | Description | Material or Model Number | Part Number | Required Number | | | | | | | | |
| | | | | D-0 | | | | | | | | |
| Refrigeration Circuit | | | | | | | | | | | | |
| 29 | Evaporator Pressure Regulator (EPR) Valve | | 4A1384-01 | 1 | | | | | | | | |
| 30 | Evaporator Pressure Regulator (EPR) Valve Cover | | 340434-01 | 1 | | | | | | | | |
| 31 | Suction Line Valve | | 446873-01 | 1 | | | | | | | | |
| 32 | Heat Exchanger | | 4A1374-01 | 1 | | | | | | | | |
| 33 | Thermostatic Expansion Valve | | 4A1117-01 | 1 | | | | | | | | |
| 34 | Thermostatic Expansion Valve Cover | | 4A1168-01 | 1 | | | | | | | | |
| 35 | Liquid Line Valve Body | | 4A3276-01 | 1 | | | | | | | | |
| 36 | Valve Coil | | 4A3277-01 | 1 | | | | | | | | |
| 37 | Discharge Line Coupling | | 434132G01 | 1 | | | | | | | | |
| 38 | Liquid Line Coupling | | 433751G01 | 1 | | | | | | | | |
| 39 | Strainer | | 4A1385-01 | 1 | | | | | | | | |
| 40 | Thermostatic Expansion Valve Bulb Holder | | 438246-01 | 1 | | | | | | | | |

B. Icemaking Unit
F-1001M_J(-C)
 D-0 to F-0



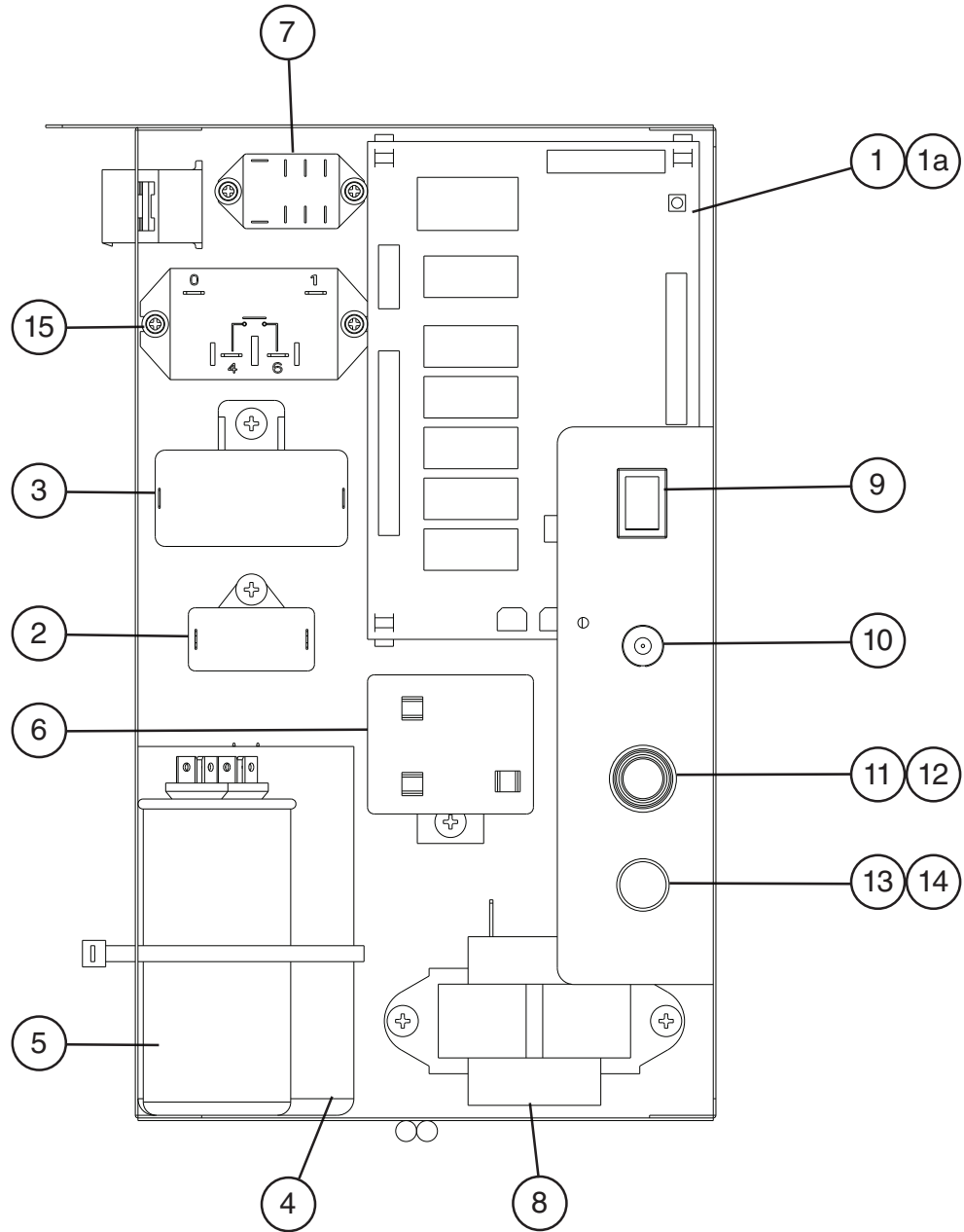
| Title: B. Icemaking Unit Model: F-1001M_J(-C) | | | | | | | | | | | | |
|---|-----------------------|--------------------------|-------------|------------|-----------------|--|--|--|--|--|--|--|
| Index No. | Description | Material or Model Number | Part Number | D-0 to F-0 | Required Number | | | | | | | |
| | | | | | | | | | | | | |
| 1 | Gear Motor | | 4A2007-01 | 1 | | | | | | | | |
| 1a | Socket Head Cap Screw | | 7S12-0811 | 3 | | | | | | | | |
| 1b | Split Lock Washer | | 7L22-0800 | 3 | | | | | | | | |
| 2 | Gear Motor Barrier | | 4A4029-01 | 1 | | | | | | | | |
| 2a | Truss Head Screw | | 7C32-0408 | 2 | | | | | | | | |
| 2b | Washer | | 4A5268-01 | 2 | | | | | | | | |
| 3 | Spline Coupling | | 414137-01 | 1 | | | | | | | | |
| 4 | Housing | | 2A1977G01 | 1 | | | | | | | | |
| 4a | Hex Head Bolt | 8x30, SS | 7B02-0830 | 6 | | | | | | | | |
| 4b | Plain Washer | | 7W22-0800 | 6 | | | | | | | | |
| 4c | Split Lock Washer | | 7L22-0800 | 6 | | | | | | | | |
| 5 | O-Ring | | 4A4755-02 | 1 | | | | | | | | |
| 6 | Mechanical Seal | | 432492-01 | 1 | | | | | | | | |
| 7 | Evaporator | | 2A7209G01 | 1 | | | | | | | | |
| 7a | Socket Head Cap Screw | 8x12, SS | 7S12-0812 | 4 | | | | | | | | |
| 7b | Split Lock Washer | | 7L22-0800 | 4 | | | | | | | | |
| 8 | Drip Pan | | 2A7187-01 | 1 | | | | | | | | |
| 9 | Flange | | 352713-01 | 1 | | | | | | | | |
| 10 | Auger | | 120863G02 | 1 | | | | | | | | |
| 11 | Extruding Head | F-1001M_J | 3A2175G01 | 1 | | | | | | | | |
| | | F-1001M_J-C | 3A2176G01 | 1 | | | | | | | | |
| 11a | Seal Bolt | | P01768-01 | 4 | | | | | | | | |
| 12 | Cutter | F-1001M_J | 3A1395-02 | 1 | | | | | | | | |
| | | F-1001M_J-C | 427183G01 | 1 | | | | | | | | |
| 12a | Hex Head Bolt | F-1001M_J | 7B02-1030 | 1 | | | | | | | | |
| 12b | Split Lock Washer | F-1001M_J | 7L22-1000 | 1 | | | | | | | | |
| 13 | Dowel Pin | F-1001M_J | 713S-0416 | 1 | | | | | | | | |
| 14 | Evaporator Heater | F-1001M_J-C | 4A4335-01 | 1 | | | | | | | | |

C. Water Circuit
F-1001M_J(-C)
D-0 to F-0



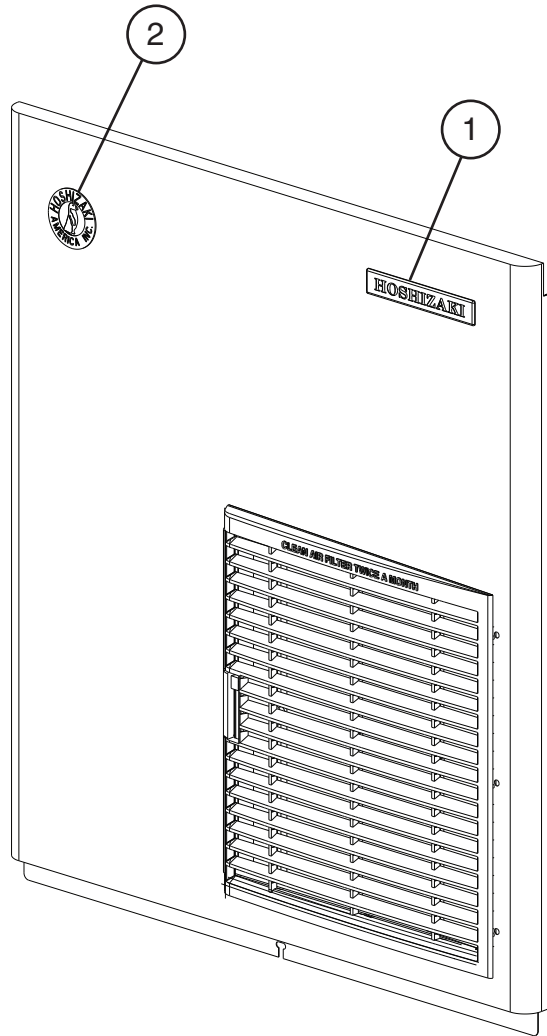
| Title: C. Water Circuit Model: F-1001MAJ(-C) | | | | | | | | | | | | |
|--|---------------------|--------------------------|-------------|------------|-----------------|--|--|--|--|--|--|--|
| Index No. | Description | Material or Model Number | Part Number | D-0 to F-0 | Required Number | | | | | | | |
| | | | | | | | | | | | | |
| 1 | Water Supply Pipe | | 4A0891G02 | 1 | | | | | | | | |
| 2 | Washer | | 413854-03 | 1 | | | | | | | | |
| 3 | Inlet Water Valve | | 4A5309-01 | 1 | | | | | | | | |
| 4 | Reservoir | | 2A0753-01 | 1 | | | | | | | | |
| 5 | Reservoir Separator | | 4A1255-01 | 1 | | | | | | | | |
| 6 | Float Switch | | 435490-01 | 1 | | | | | | | | |
| 7 | Reservoir Cover | | 214810-01 | 1 | | | | | | | | |
| 8 | Drain Pan | | 323765G02 | 1 | | | | | | | | |
| 9 | Reservoir Inlet | | 4A0869-01 | 1 | | | | | | | | |
| 10 | Drain Valve | | 4A2772-02 | 1 | | | | | | | | |
| 11 | Drain Fitting | | 4A5528-01 | 1 | | | | | | | | |
| 12 | Vinyl Hose | L=375 mm | 7725-1923 | 1 | | | | | | | | |
| 13 | Silicone Hose | L=185 mm | 7730I3896 | 1 | | | | | | | | |
| 14 | Vinyl Hose | L=460 mm | 4A0658L01 | 1 | | | | | | | | |
| 15 | Drain Hose | | 3A8170-01 | 1 | | | | | | | | |
| 16 | Vinyl Hose | L=30 mm | 7725-1923 | 1 | | | | | | | | |
| 17 | Reservoir Hose | | 4A1165-06 | 1 | | | | | | | | |
| 18 | Elbow | | 4A5624-01 | 1 | | | | | | | | |
| Clamps | | | | | | | | | | | | |
| | Hose Clamp | 26-30 mm | 4A2017-02 | 1 | | | | | | | | |
| | Hose Clamp | 17-20 mm | 4A2017-05 | 1 | | | | | | | | |
| | Hose Clamp | 19-22 mm | 4A2017-06 | 1 | | | | | | | | |
| | Hose Clamp | 14-15 mm | 4A2017-08 | 1 | | | | | | | | |

D. Control Box Assembly
F-1001M_J(-C)
D-0 to F-0



| Title: D. Control Box Assembly Model: F-1001M_J(-C) | | | | | | | | | | | |
|---|--|----------------------------------|-------------|------------|-----------------|--|--|--|--|--|--|
| Index No. | Description | Material or Model Number | Part Number | D-0 to F-0 | Required Number | | | | | | |
| | | | | | | | | | | | |
| 1 | "F-B" Control Board | | 2A8053-01 | 1 | | | | | | | |
| 1a | Control Board Support | | 4A0336-03 | 4 | | | | | | | |
| 2 | Fan Motor Capacitor | F-1001MAJ(-C) 5MFD, 250VAC | 443192-02 | 1 | | | | | | | |
| 3 | Gear Motor Capacitor | 24MFD, 250VAC | 4A2273-01 | 1 | | | | | | | |
| 4 | Start Capacitor (all except F-1001MLJ(-C)) | 340-408MFD, 250VAC | 3A0076-24 | 1 | | | | | | | |
| 5 | Run Capacitor (all except F-1001MLJ(-C)) | 40MFD, 370VAC | 3A2005-13 | 1 | | | | | | | |
| 6 | Start Relay (all except F-1001MLJ(-C)) | | 4A1107-22 | 1 | | | | | | | |
| 7 | Compressor Control Relay | 110/120VAC | 406132-07 | 1 | | | | | | | |
| 8 | Control Transformer | | 4A0557-01 | 1 | | | | | | | |
| 9 | Control Switch | | 4A0558-01 | 1 | | | | | | | |
| 10 | Power Switch | | 4A2332-01 | 1 | | | | | | | |
| 11 | Fuse Holder (control) | | 4A5443-01 | 1 | | | | | | | |
| 12 | Fuse (control) | AGC-1A, 250VAC | 4A0893-01 | 1 | | | | | | | |
| 13 | Fuse Holder (gear motor) | | 4A3449-02 | 1 | | | | | | | |
| 14 | Fuse (gear motor) | GMD-3A, 250VAC Slow Blow | 4A0893-06 | 1 | | | | | | | |
| 15 | Compressor Relay (all except F-1001MLJ(-C)) | 115VAC | 4A3140-01 | 1 | | | | | | | |

E. Accessories & Labels
F-1001M_J(-C)
 D-0 to F-0



| Title: E. Accessories & Labels Model: F-1001M_J(-C) | | | | | | | | | | | | |
|---|------------------------|--------------------------|-------------|-----------------|--|--|--|--|--|--|--|--|
| Index No. | Description | Material or Model Number | Part Number | Required Number | | | | | | | | |
| | | | | D-0 to F-0 | | | | | | | | |
| 1 | Hoshizaki Emblem Label | | 4A0560-01 | 1 | | | | | | | | |
| 2 | Penguin Label | | 4A0526-01 | 1 | | | | | | | | |
| 3 | Universal Brace | | 4A0363-01 | 2 | | | | | | | | |
| 3a | Hex Bolt | | 7B02-0512 | 2 | | | | | | | | |