



KM-1601S_J(3)

STACKABLE CRESCENT CUBER



KM-1601S_J(3)
02/13/18
Item # 13104

Item #: _____
 Project: _____
 Qty: _____
 AIA#: _____

W x D x H
48" x 27^{3/8}" x 27^{3/8}"

Shipping Dimensions
51^{3/4}" x 33" x 33"

**KM Edge
DESIGN**

KM-1601SAJ

Air-Cooled 1 Phase
Shown on optional bin: B-900

KM-1601SWJ

Water-Cooled 1 Phase

KM-1601SRJ ★

Remote Air-Cooled 1 Phase

KM-1601SAJ3

Air-Cooled 3 Phase

KM-1601SWJ3

Water-Cooled 3 Phase

KM-1601SRJ3

Remote Air-Cooled 3 Phase



Features

▶ Individual crescent cube

▶ Stainless steel evaporator

▶ CycleSaver™ design

- Up to 1671 lbs. of ice production per 24 hours
- Stackable for 3342 lbs. per 24 hours ice production in the same floor space
- Durable stainless steel exterior
- Protected by H-Guard Plus Antimicrobial Agent
- EverCheck™ alert system
- R-404A Refrigerant

Available on Bins:

B-800 **B-1150SS** **B-1500SS** *Top kit may be required.*
B-900 **B-1300SS** **B-1650SS** *See Bin Spec Sheets.*

Warranty:

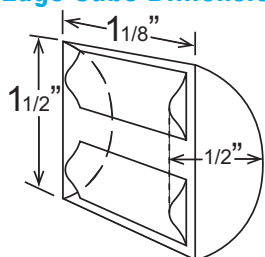
Valid in United States, Canada, Puerto Rico and U.S. Territories. Contact factory for warranty in other countries.

	Condenser	Model	ICE PRODUCTION		WATER USAGE			ELECTRICAL						
			Air / Water Temp 70°/50°F	90°/70°F	Potable Gal. per 100 lbs. 90°/70°F	Condenser Gal. per 100 lbs. 90°/70°F	kWh Used per 100 lbs. 90°/70°F	Max. Fuse Size or HACR Circuit Breaker	Amperage	Voltage	Circuit Wires (including ground)	Heat Rejection BTU/hr.	Refrigerant Charge Amount	Net / Ship Weight (lbs.)
1 Phase	Air	KM-1601SAJ	1513	1433	21.0	N/A	4.24	20A	15.9A	208-230V/60/1	4*	18,500	5 lbs. 1.1 oz.	275 / 315
	Water	KM-1601SWJ	1660	1650	19.7	100	3.30	20A	13.6A	208-230V/60/1	4*	21,300	2 lbs. 10.3 oz.	310 / 360
	Remote	KM-1601SRJ	1640	1600	17.6	N/A	3.96	20A	15.9A	208-230V/60/1	4*	21,200	15 lbs. 3.4 oz. 22 lbs. 14.8 oz. ¹	300 / 350
3 Phase	Air	KM-1601SAJ3	1513	1414	21.0	N/A	4.40	20A	12.9A	208-230V/60/3	4	16,400	5 lbs. 1.1 oz.	275 / 315
	Water	KM-1601SWJ3	1671	1660	18.5	90	3.32	20A	8.8A	208-230V/60/3	4	19,900	2 lbs. 10.3 oz.	310 / 360
	Remote	KM-1601SRJ3	1635	1600	18.0	N/A	4.14	20A	12.8A	208-230V/60/3	4	20,000	15 lbs. 3.4 oz. 22 lbs. 14.8 oz. ¹	300 / 350

*If neutral is not available, transformer kit (HS-5030) is required. Refer to Instruction Manual for installation and electrical requirements.

¹with condenser
Power cord not included

KM Edge Cube Dimensions*



* approximate size in inches, image not to scale

Operating Limits

- Ambient Temp Range 45 - 100°F
- Water Temp Range 45 - 90°F
- Water Pressure 10 - 113 PSIG
- Voltage Range 187 - 253V

Service

- Panels easily removed and all components accessible for service.
- Allow 9" (23 cm) clearance at rear, sides, and top for proper air circulation and ease of maintenance/service.

Plumbing

- Icemaker Water Supply Line: Min. 3/8" Nominal ID Copper Water Tubing or Equivalent
- Icemaker Drain Line: Min. 3/4" Nominal ID Hard Pipe or Equivalent **Water-Cooled Model (Lines Must Be Independent of Icemaker)**
- Condenser Water Supply Line: Min. 3/8" Nominal ID Copper Water Tubing or Equivalent
- Condenser Drain/Return Line: Min. 3/8" Nominal ID Hard Pipe (open drain system) or Copper Water Tubing (closed loop system) or Equivalent

Water Filter

Please refer to water filter spec sheet for recommended configurations.

Hoshizaki reserves the right to change specifications without notice.



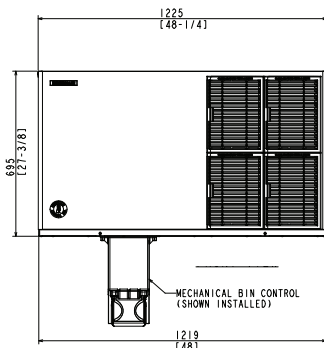
KM-1601S_J(3)

STACKABLE CRESCENT CUBER

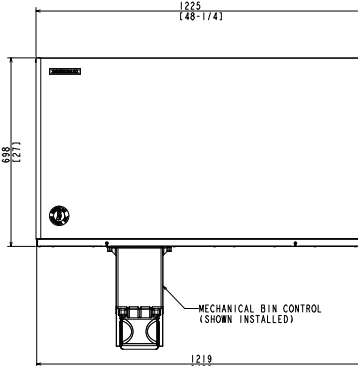


KM-1601S_J
02/13/18
Item # 13104

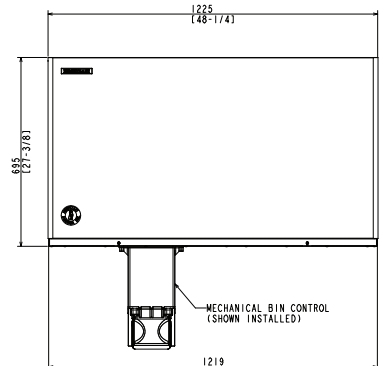
FRONT VIEW



AIR-COOLED

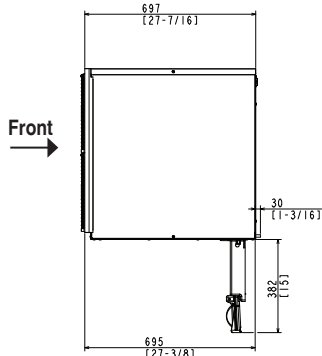


WATER-COOLED

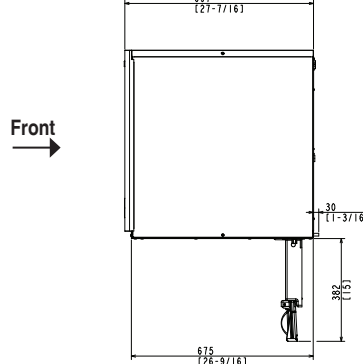


REMOTE AIR-COOLED

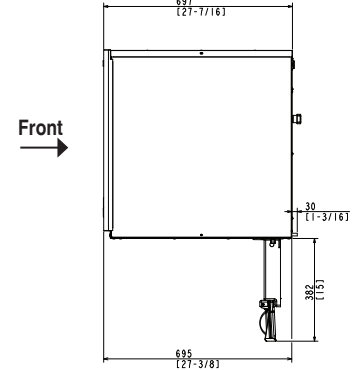
SIDE VIEW



AIR-COOLED

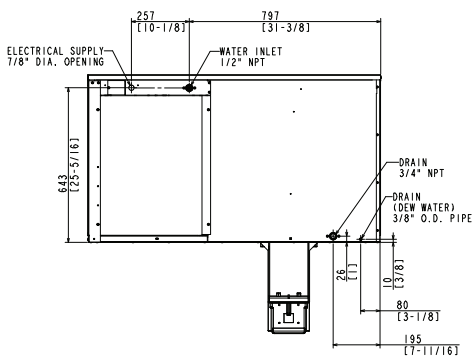


WATER-COOLED

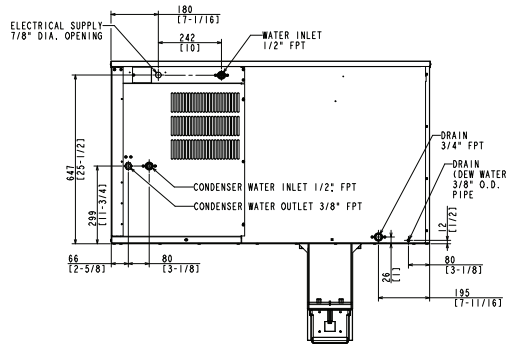


REMOTE AIR-COOLED

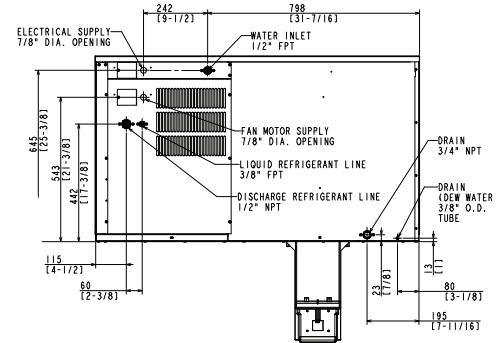
REAR VIEW



AIR-COOLED



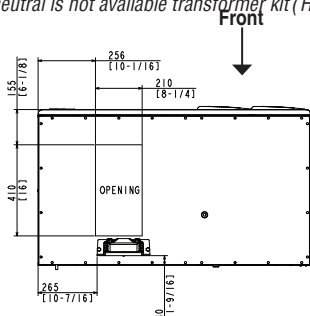
WATER-COOLED



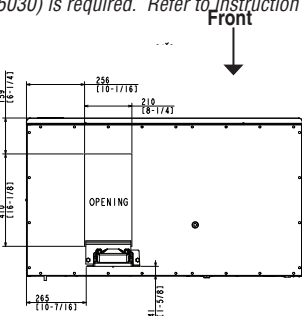
REMOTE AIR-COOLED

*If neutral is not available transformer kit (HS-5030) is required. Refer to instruction manual for installation and electrical requirements.

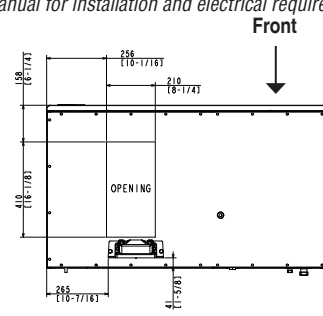
BOTTOM VIEW



AIR-COOLED

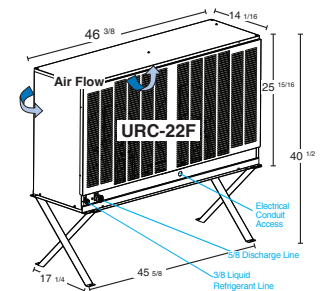


WATER-COOLED



REMOTE AIR-COOLED

URC-22F Remote Condenser (Sold Separately)
(W x D x H) 46 3/8 X 14 1/16 X 40 1/2
For Use with KM-1601SRJ3)



Pre-Charged Tubing Kits
(Sold Separately)
20\"/>



Voltage supply for the URC Remote Condenser is supplied from the Ice Maker. No additional circuit is required.