

## ES Series 1060 Ice Cube Machine

Model:  ES1063W-261Z



ES-1060 Ice Machine  
on E-570 Bin

- Up to 1094 lbs. (496 kgs.) daily ice production
- Only 30" (76.20) wide
- Removable water distributor tube, water pump and water trough with no tools, easy to clean and maintain
- Food zone designed with soft, round, cove corners
- Food zone is isolated outside with the foaming, energy saving
- The secure isolated control box is easily accessible from the front and removes electricity outside of the food zone, improving overall safety and reliability

### Warranty

- 1- year parts and 1-year labor

### Specifications

#### BTU PerHour:

#### Compressor:

#### Refrigerant:

R-410A CFC-free

#### Ice Machine Electric

220/60/1 standard

#### Minimum circuit ampacity :

9.6 amps

#### Maximum fuse size :

20 amps

HACR-type circuit breakers can be used in place of fuses

#### Operating Limits:

- Ambient Temperature Range: 5°C-43°C

- Water Temperature Range: 0.6°C-32.2°C

- Water Pressure IceMaker: WaterIn:

Min. 20 psi (137.9 kPa)

Max. 80 psi (551.1 kPa)

### Cube Size Available



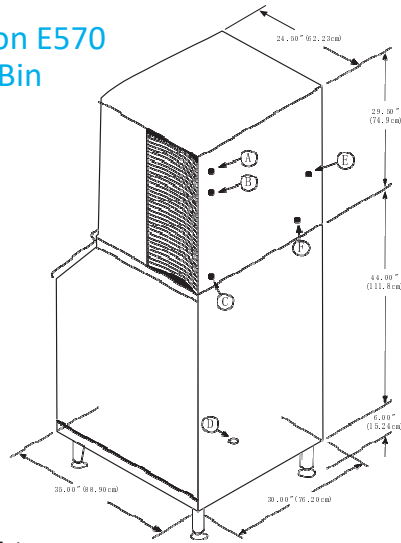
#### Dice

7/8" X 7/8" X 7/8"

2.22 X 2.22 X 2.22 (cm)



### ES1060 on E570 Storage Bin



- Ⓐ Electrical Entrance
- Ⓑ 3/4" (1.91cm) N.P.T. Ice Making Water Inlet
- Ⓒ 1/2" (1.27cm) F.P.T. Ice Making Water Drain
- Ⓓ 3/4" (1.91cm) Bin Drain
- Ⓔ 1/2" (1.27 cm) F.P.T. Water Condenser Outlet (water-cooled units)
- Ⓕ 3/8" (0.95 cm) F.P.T. Water Condenser Inlet (water-cooled units)

*Installation Note - Minimum installation clearance:  
Top/sides: 8" (20.32 cm), back: 5" (12.70 cm).*

### Space-Saving Designs



	ES1060	E570
Height	79.50"	201.93 cm
Width	30.00"	76.20 cm
Depth	35.00"	88.90 cm
Bin Storage	430 lbs.	195.2 kgs.

*Height includes adjustable bin legs 6.00" to 7.00" (15.24 cm to 17.78 cm) set at 6.00" (15.24 cm).*

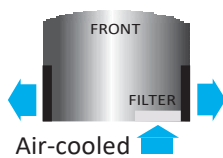
### 24 - Hour Production

Air-Cooled Units			
Air temp	Water temp		
°C	10°	21°	32°
10°	452		
21°	450		
32°	417		
40°	372		

Model	Ice Shape	Ice Production 24 Hours		Power Usage KWH/100lbs. @32°C Air/21°C	Water Usage /100lbs. of ice
		21°C Air/10°C Water	32°C Air/21°C Water		
ES1063W-261Z	Dice	993 lbs.	920 lbs.	4.17	53.12 L
		450 kgs.	417 kgs.		

Order ice storage bin separately.

#### Air Flow Top View



#### Attempts to prevent the piston



Drain with a cover to avoid ice block

#### Easy to assemble sink



Removable water trough with no tools

#### Easy to assemble the pump



The water pump is accessible from the front of the machine and easily removed