



Ice Machine Parts List For

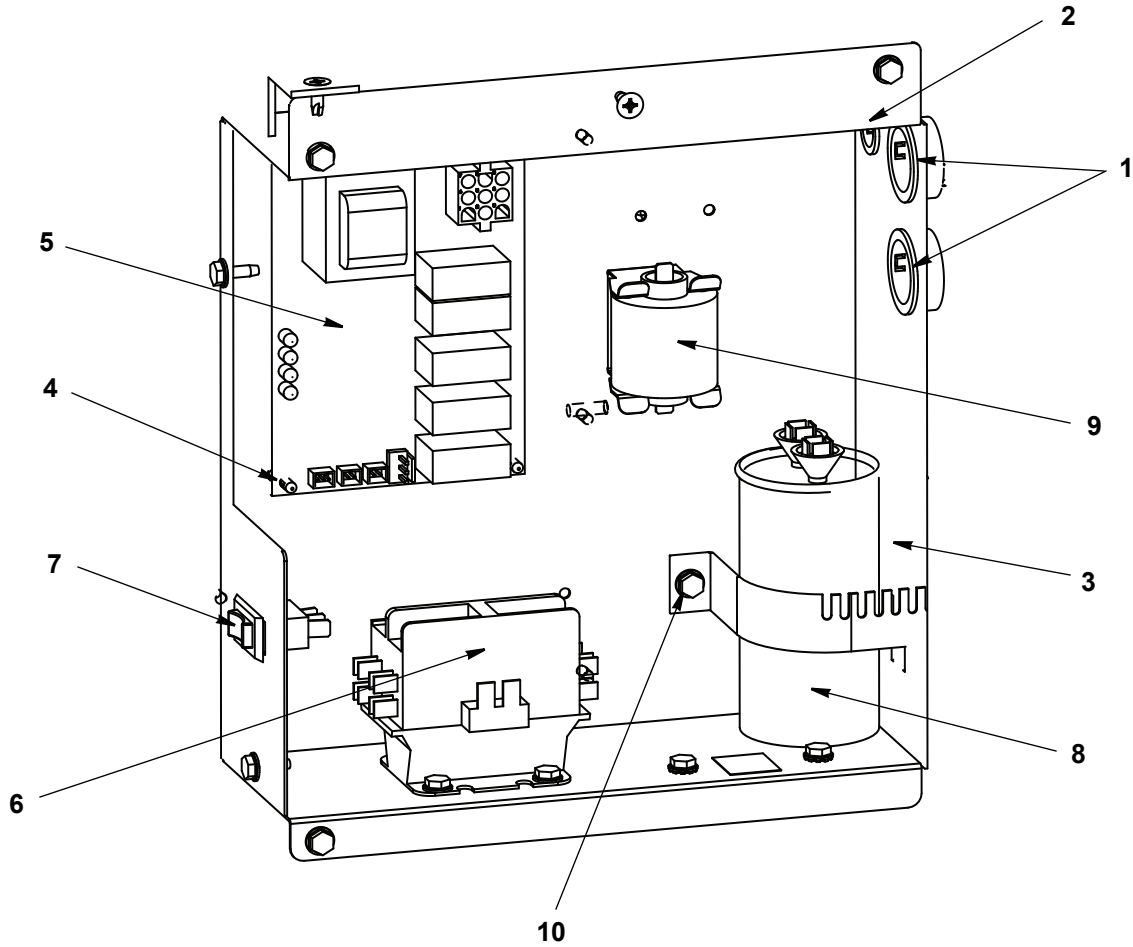
制冰机零件手册

ES1062AC-251

ES1063WC-251

ES1064AC-251

CONTROL BOX——控制盒部件

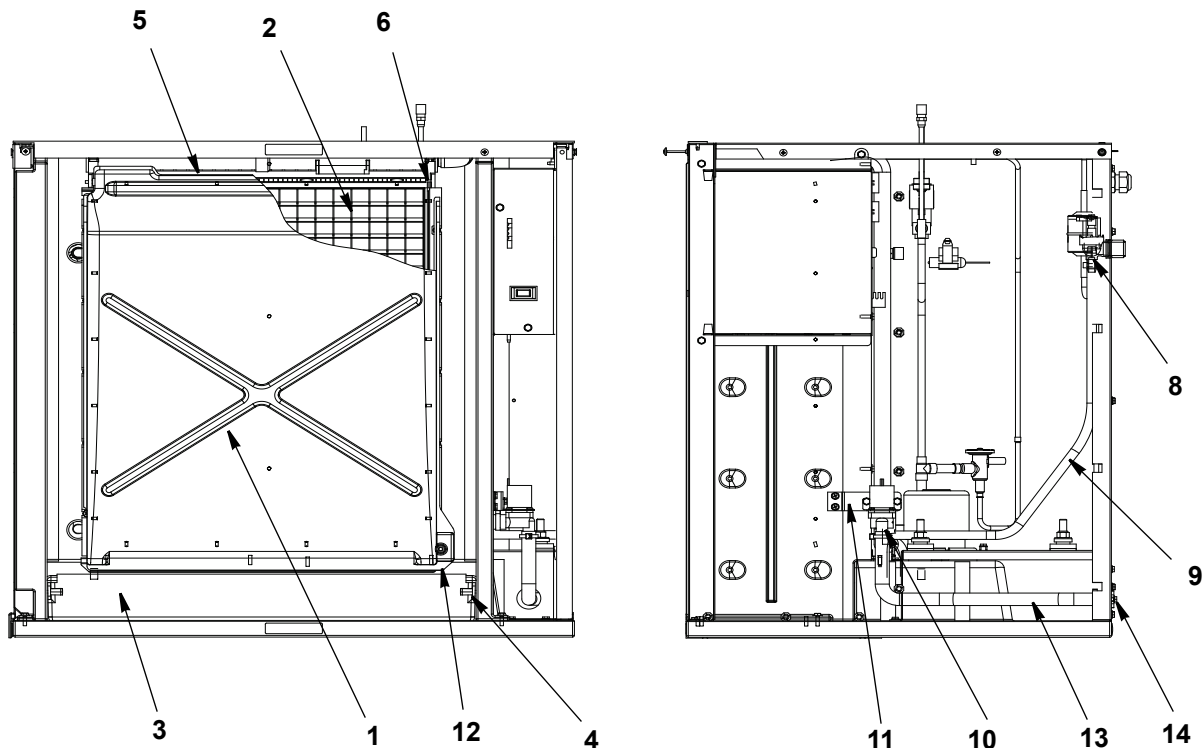


DESCRIPTION 描述

PART NO. 零件号

1	Bushing, SB1187-15/2182 衬套	2500011
2	Bushing, SB625-8/2073 衬套	2502189
3	Control Box Base 控制盒基座	040001027
4	Support 支撑	4302253
5	Control Board 控制板	040001070
6	Contactor 接触器	2001543
7	Switch, Rocker 开关	2301513
8	Capacitor, Run 运行电容	8505403
9	PTCR 启动器	8504993
10	SCR 螺钉	5202069

EVAPORATOR COMPARTMENT 蒸发器部件

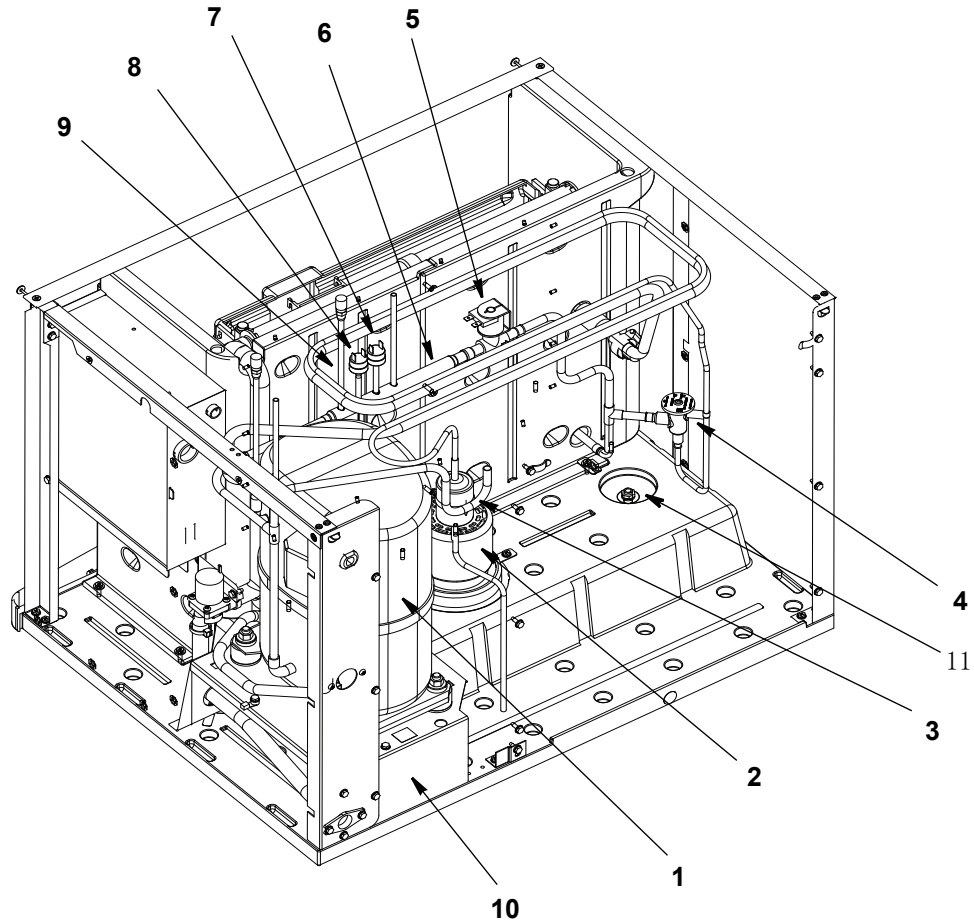


DESCRIPTION 描述

	DESCRIPTION 描述	PART NO. 零件号码
1	Curtain, Water 水帘板	4004733
2	Evaporator 蒸发盘	
2a	Evaporator Dice 方块冰	7625029
2b	Evaporator Half Dice 方块冰	7625039
3	Through Water 水槽	040001151
4	Thumbscrew(Used For Through Water) 指旋螺钉	5305123
5	Distribution Assembly 风水管组件	7624983
6	Thumbscrew(Used For Distribution Assembly) 指旋螺钉	5000013
7	O-ring(Not Shown) O型圈	3718203
8	Valve, Water Inlet 进水阀	000000888
9	Tube, Vinyl 水管	040001545
10	Valve, Dump 排水阀	040001038
11	Bracket, Valve Dump 排水阀支撑	040001065
12	Magnetic Bin Switch Assembly 箱体开关	040001397
13	Tube Molded Vinyl 水管	040001094
14	Adapter 转换头	8706133

REFRIGERATION COMPARTMENT - COMMON PARTS

制冷系统部件 —— 通用部件



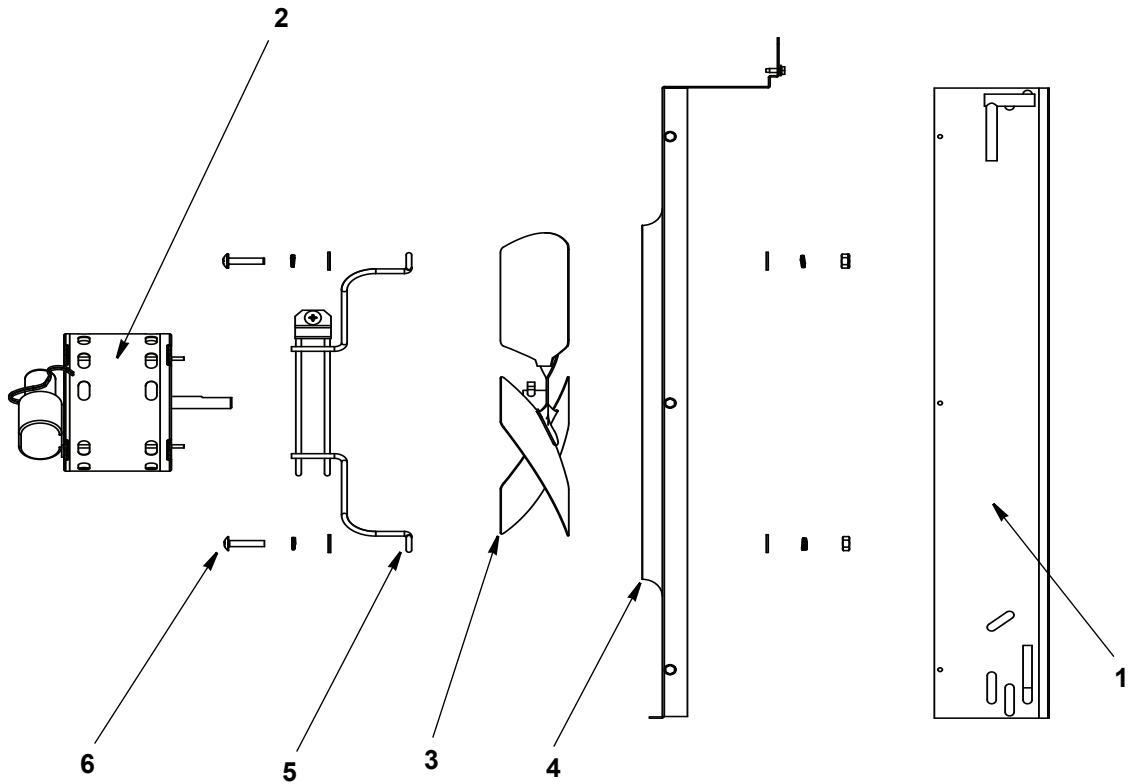
DESCRIPTION 描述

PART NO. 零件号码

1	Compressor 压缩机	7602083
2	Pump, Water 230/50/60 水泵	040001455
3	Drier, Danfoss 干燥过滤器	8930259
4	Expansion Valve 膨胀阀	7600223
5	Hot Gas Valve 热气阀	2404953
6	Manifold Strainer 过滤器	8251043
7	Fan Cycling Control 风扇循环控制器	2001273
8	High Pressure Cutout Control 高压切断控制器	2001243
9	Access Valve 加液阀	8373253
10	Bracket Compressor Base 压缩机基座支撑	040001037
11	Probe Water Level 水位探针	040001034

REFRIGERATION COMPARTMENT - AIR COOLED

制冷系统部件 —— 空冷部件



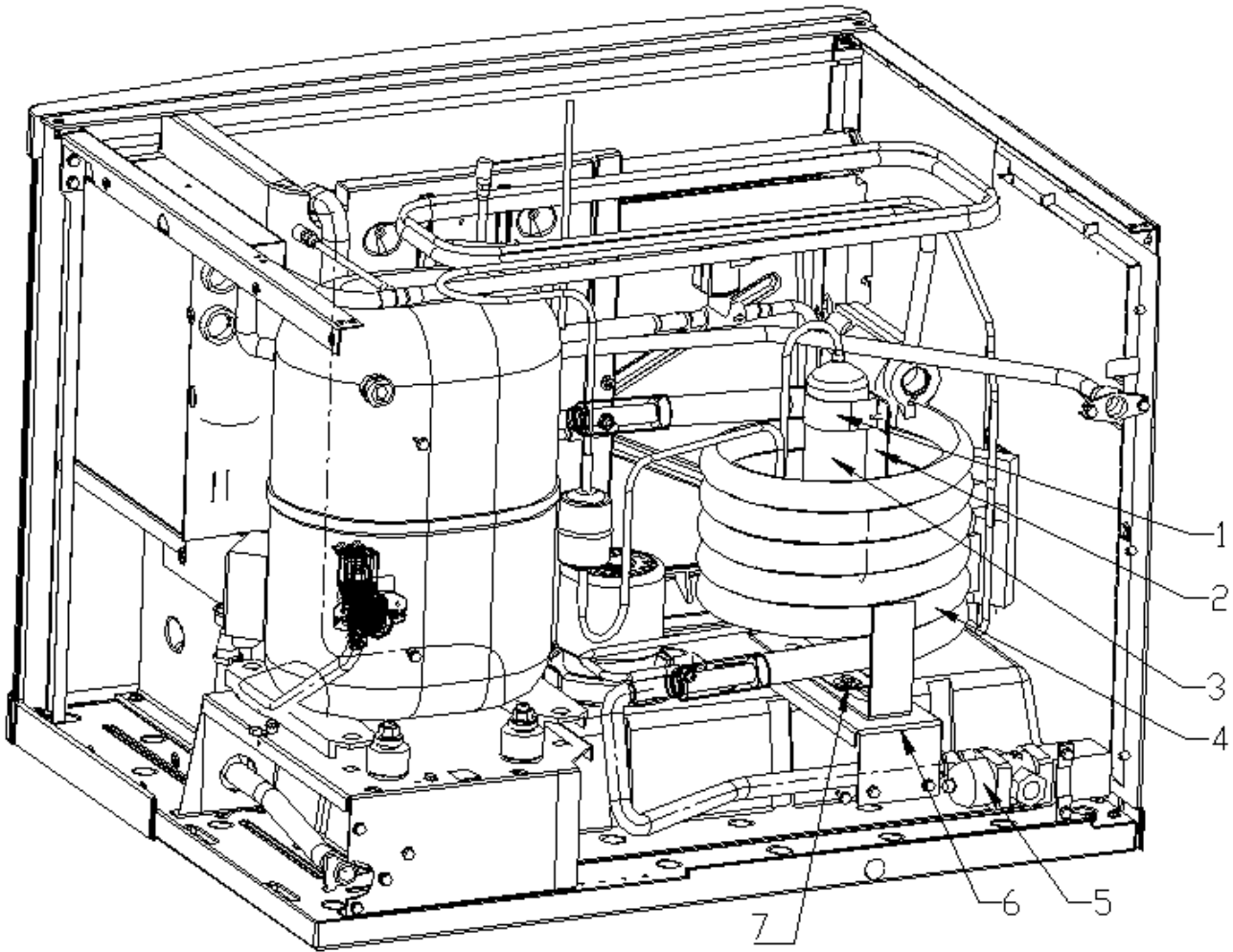
DESCRIPTION 描述

PART NO. 零件号码

1	Air Condensor 空冷冷凝器	8251153
2	Fan Motor, 230/50 风扇电机	040000138
3	Fan Blade 风扇扇叶	2416123
4	Fan Shroud 风扇护罩	040001155
5	Fan Motor Mount 风扇电机固定座	040000139
6	SCR 螺钉	000001524

REFRIGERATION COMPARTMENT - WATER COOLED

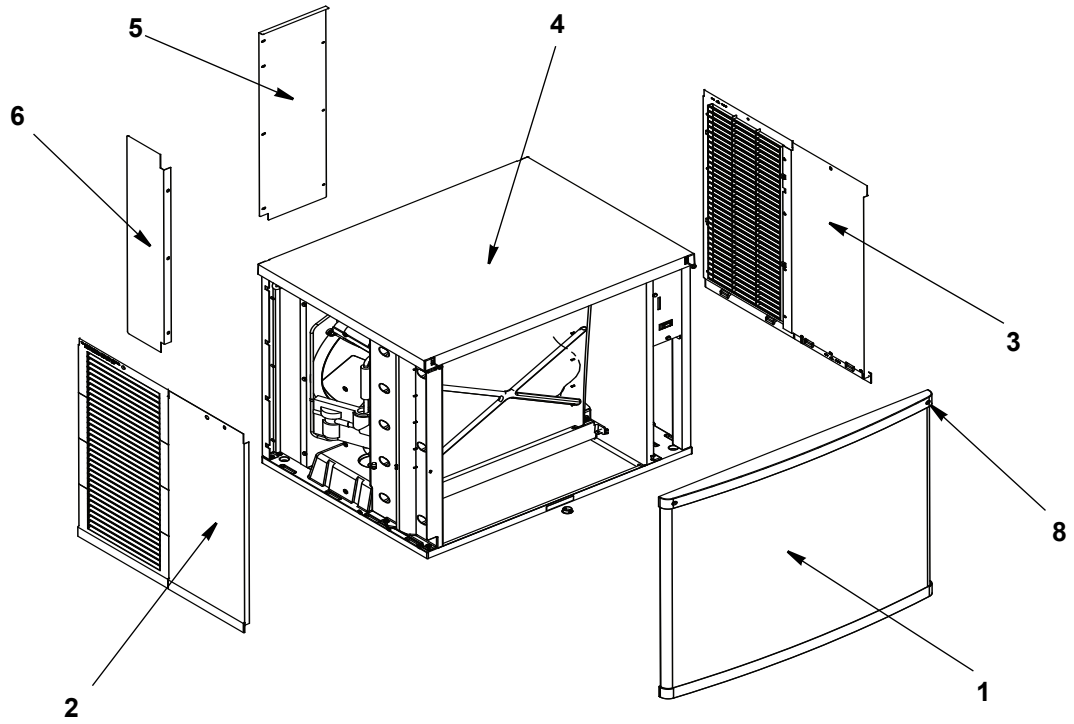
制冷系统部件 —— 水冷部件



DESCRIPTION 描述

DESCRIPTION 描述	PART NO. 零件号码
1 Receiver strap 储液罐固定带	6001891
2 Receiver bracket 储液罐支撑	040002680
3 Receiver 储液罐	000008893
4 Condenser water 水冷冷凝器	040002619
5 Water regulating valve 水压调节阀	8252823
6 Bracket condenser water 冷凝器支撑	040001802
7 Washer 垫片	5573413
8 Water drain female wing adapter 排水接头	000001172

PANELS 面板



DESCRIPTION 描述

PART NO. 零件号码

1	Front Panel Assembly 前面板组件	040001705
2	Panel, LH Side 左侧面板	040001703
3	Panel, RH Side 右侧面板	040001702
4	Top Cover 顶盖	040001267
5	Air Filter 空气过滤	4040213
6	Air Baffle 空气挡板	040001506
7	Front Support(Not Shown) 前支撑	040001020
8	Screw 螺丝	5119019