

KOOLAIRE

By  MANITOWOC

ES Series 460 Ice Cube Machine

ES Series 460 Ice Cube Machine

Model: ES0462A-251 ES0463W-251



ES-460 Ice Machine
on E-400 Bin

- Up to 472 lbs. (214kgs.) daily ice production
- Only 30" (76.20) wide
- Removable water distributor tube, water pump and water trough with no tools, easy to clean and maintain
- Food zone designed with soft, round, cove corners
- Food zone is isolated outside with the foaming, energy saving
- The secure isolated control box is easily accessible from the front and removes electricity outside of the food zone, improving overall safety and reliability

Warranty

- 1-Year parts and 1-year labor

Specifications

BTU Per Hour:
7,000 (average), 9,600 (peak)

Compressor:
Nominal rating: 3/4 HP

Refrigerant:
R-404 CFC-free

Ice Machine Electric

220-240/50/1 standard

Minimum circuit ampacity:

6.7 amps

Maximum fuse size:

15 amps

HACR-type circuit breakers can be used
in place of fuses

Operating Limits:
• Ambient Temperature Range:
10°C to 40°C

• Water Temperature Range:
10°C to 32°C

• Water Pressure Ice Maker
Water In:
Min. 20 psi (1.38bar)
Max. 80 psi (5.52bar)

Cube Size Available



Dice

7/8" X 7/8" X 7/8"

2.22 X 2.22 X 2.22 (cm)



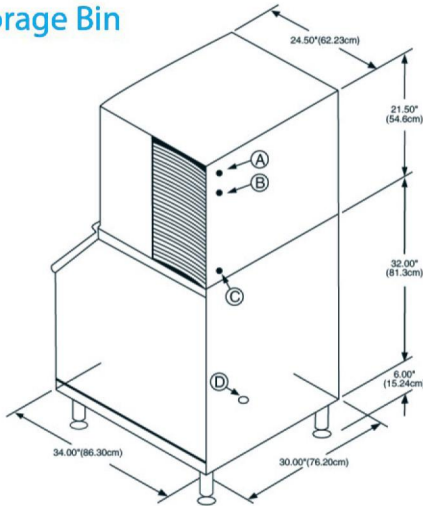
Manitowoc (China) Foodservice Co.,Ltd.
151 Jianye Road,Binjiang District
Hangzhou, China 310052

Tel: 86.571.86626680
Fax: 86.571.86622353

www.welbilt.cn



ES460 on E400 Storage Bin



- (A) Electrical Entrance
- (B) 3/4" (1.91cm) N.P.T. Ice Making Water Inlet
- (C) 1/2" (1.27cm) F.P.T. Ice Making Water Drain
- (D) 3/4" (1.91cm) Bin Drain

Installation Note - Minimum installation clearance:
Top/sides: 8" (20.32 cm), back: 5" (12.70 cm).

Space-Saving Designs



	ES460 E400	ES460 E570
Height	59.50" 151.14 cm	71.50" 181.61 cm
Width	30.00" 76.20 cm	30.00" 76.20 cm
Depth	34.00" 86.30 cm	35.00" 88.90 cm
Bin Storage	290 lbs. 131.7 kgs.	430 lbs. 195.2 kgs.

Height includes adjustable bin legs 6.00" to 7.00"
(15.24 cm to 17.78 cm) set at 6.00" (15.24 cm).

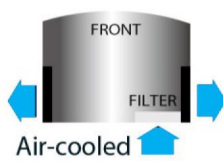
24 - Hour Production

Air-Cooled Units				
Air temp	Water temp			
°C	10°	15°	21°	32°
10°	214			
21°	206			
25°	185			
27°	179			
32°	148		149	135
40°				111

Model	Ice Shape	Ice Production 24 Hours		Power Usage KWH/100lbs. @32°C Air/21°C	Water Usage /100lbs. of ice
		21°C Air/10°C Water	32°C Air/21°C Water		
ES0462A-251	dice	454 lbs.	328 lbs.	6.85	58.7 L
		206 kgs.	149 kgs.		
ES0463W-251	dice	468 lbs.	412 lbs.	4.99	55.04 L
		212 kgs.	187 kgs.		

Order ice storage bin separately.

Air Flow Top View



Attempts to prevent the piston



Drain with a cover to avoid ice block

Easy to assemble sink



Removable water trough with no tools

Easy to assemble the pump



The water pump is accessible from the front of the machine and easily removed