

# KOOLAIRE

By  MANITOWOC

ES series 660 Ice Cube Machine

## ES series 660 Ice Cube Machine

Model:  ES0662A-251  ES0663W-251



ES-660 Ice Machine  
on E-570 Bin

- Up to 628 lbs. (285 kgs.) daily ice production
- Only 30" (76.20) wide
- Removable water distributor tube, water pump and water trough with no tools, easy to clean and maintain
- Food zone designed with soft, round, cove corners
- Food zone is isolated outside with the foaming, energy saving
- The secure isolated control box is easily accessible from the front and removes electricity outside of the food zone, improving overall safety and reliability

### Warranty

- 1- Year parts and 1-year labor

### Specifications

**BTU Per Hour:**  
9,000 (average), 13,900 (peak)

**Compressor:**  
Nominal rating: 1 HP

**Refrigerant:**  
R-404 CFC-free

### Ice Machine Electric

220-240/50/1 standard

**Minimum circuit ampacity:**

9.2 amps

**Maximum fuse size:**

15 amps

HACR-type circuit breakers can be used  
in place of fuses

**Operating Limits:**  
• Ambient Temperature Range:  
10°C to 40°C

• Water Temperature Range:  
10°C to 32°C

• Water Pressure Ice Maker  
Water In:  
Min. 20 psi (1.38bar)  
Max. 80 psi (5.52bar)

### Cube Size Available



### Dice

7/8" X 7/8" X 7/8"

2.22 X 2.22 X 2.22 (cm)



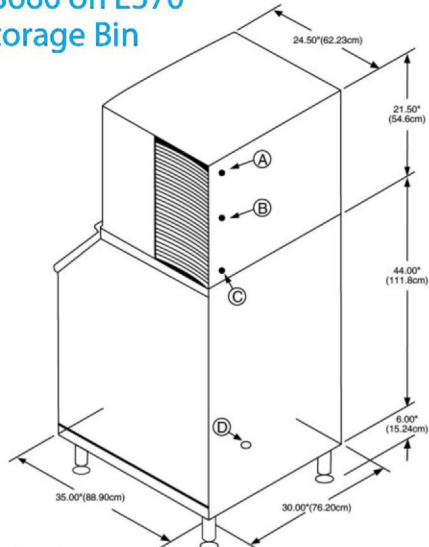
Manitowoc (China) Foodservice Co.,Ltd.  
151 Jianye Road,Binjiang District  
Hangzhou, China 310052

Tel: 86.571.86626680  
Fax: 86.571.86622353

www.welbilt.cn



## ES660 on E570 Storage Bin



- (A) Electrical Entrance
- (B) 3/4"(1.91cm)N.P.T.Ice Making Water Inlet
- (C) 1/2"(1.27cm)F.P.T.Ice Making Water Drain
- (D) 3/4"(1.91cm)Bin Drain

Installation Note - Minimum installation clearance:  
 Top/sides: 8" (20.32 cm), back: 5" (12.70 cm).

### Space-Saving Designs



	ES660 E570	ES660 E400
Height	71.50" 181.61 cm	59.50" 151.14 cm
Width	30.00" 76.20 cm	30.00" 76.20 cm
Depth	35.00" 88.90 cm	34.00" 86.30 cm
Bin Storage	430 lbs. 195.2 kgs.	290 lbs. 131.7 kgs.

Height includes adjustable bin legs 6.00" to 7.00"  
 (15.24 cm to 17.78 cm) set at 6.00" (15.24 cm).

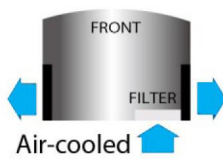
### 24 - Hour Production

Air-Cooled Units				
Air temp °C	Water temp			
	10°	15°	21°	32°
10°	285			
21°	281			
25°	255			
27°	261			
32°	236		214	209
40°				168

Model	Ice Shape	Ice Production 24 Hours		Power Usage KWH/100lbs. @32°C Air/21°C	Water Usage /100lbs. of ice
		21°C Air/10°C Water	32°C Air/21°C Water		
ES0662A-251	dice	619 lbs.	472 lbs.	5.76	57.2 L
		281 kgs.	214 kgs.		
ES0663W-251	dice	613 lbs.	560 lbs.	4.25	57.83 L
		278 kgs.	254 kgs.		

Order ice storage bin separately.

#### Air Flow Top View



#### Attempts to prevent the piston



Drain with a cover to avoid ice block

#### Easy to assemble sink



Removable water trough with no tools

#### Easy to assemble the pump



The water pump is accessible from the front of the machine and easily removed