



**MANITOWOC®**

**Ice Machine Parts List for  
Series ES90 Models**

制冰机零件手册

**ES90A**



## Content ( 目录 )

---

### ES90A-251(After 310337165)

CONTROL BOX 控制盒.....	2
EVAPORATOR ASSEMBLY 蒸发盘部分 .....	3
REFRIGERATION COMPARTMENT -COMMON PARTS 通用件部分 .....	4
REFRIGERATION COMPARTMENT 制冷系统 - AIR-COOLED 风冷 .....	5
PANELS 面板 .....	6

### ES90A-261(After 310337165)

CONTROL BOX 控制盒.....	8
EVAPORATOR ASSEMBLY 蒸发盘部分 .....	9
REFRIGERATION COMPARTMENT -COMMON PARTS 通用件部分 .....	10
REFRIGERATION COMPARTMENT 制冷系统 - AIR-COOLED 风冷 .....	11
PANELS 面板 .....	12

### ES90A(Before 310337165)

CONTROL BOX 控制盒.....	14
EVAPORATOR ASSEMBLY 蒸发盘部分 .....	15
REFRIGERATION COMPARTMENT -COMMON PARTS 通用件部分 .....	16
REFRIGERATION COMPARTMENT 制冷系统 - AIR-COOLED 风冷 .....	17
PANELS 面板 .....	18

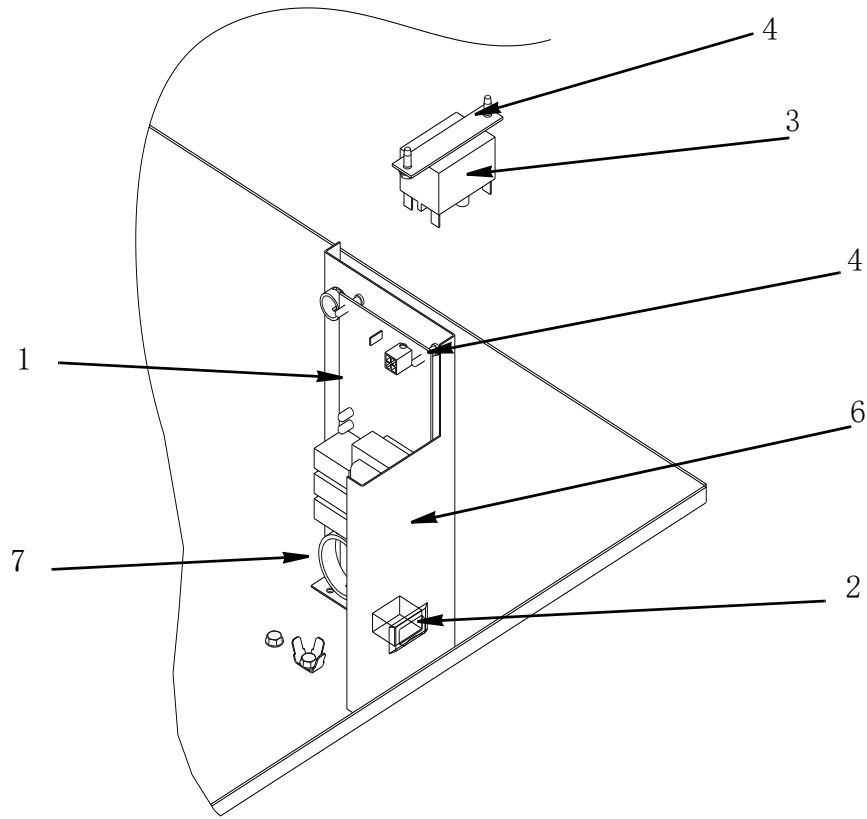
# **Ice Machine Parts List for ES90A-251**

**制冰机零件手册**

**(After 310337165)**

**(序列号 310337165 之后)**

## ES90A-251 CONTROL BOX 控制盒



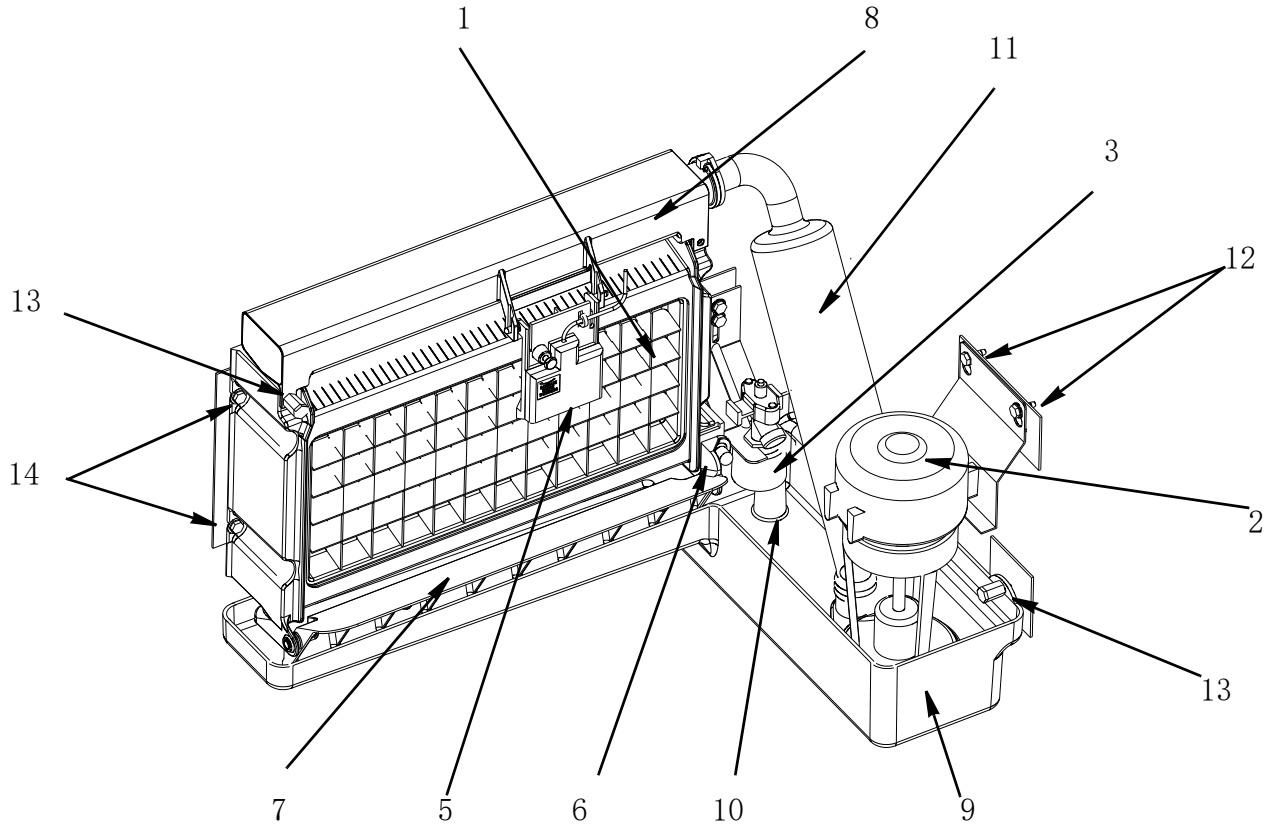
### DESCRIPTION 描述

	<b>PART NO. 零件号码</b>
1 Control Board 控制板.....	7629073
2 Toggle Switch Only 功能开关 (不含线束).....	2301513
3 Relay 继电器.....	8505543

### Miscellaneous 杂项 – Brackets, Screws, etc. 支架, 螺钉等

4 Screw, #10-24 × 1/2 螺丝.....	5202069
5 Control Board Mounting Supports 控制板支脚.....	4302253
6 Control Box 控制盒.....	040005072
7 Bushing 线束衬套.....	040005064
8 Wiring Harness Switch 开关线束 (未显示).....	2032483
9 <b>Power Cord</b> 电源线	
a. 230V 50Hz (Not shown) (未显示).....	040002495
b. 230V 60Hz (Not shown) (未显示).....	2006873

## ES90A-251 EVAPORATOR ASSEMBLY 蒸发盘部分



### DESCRIPTION 描述

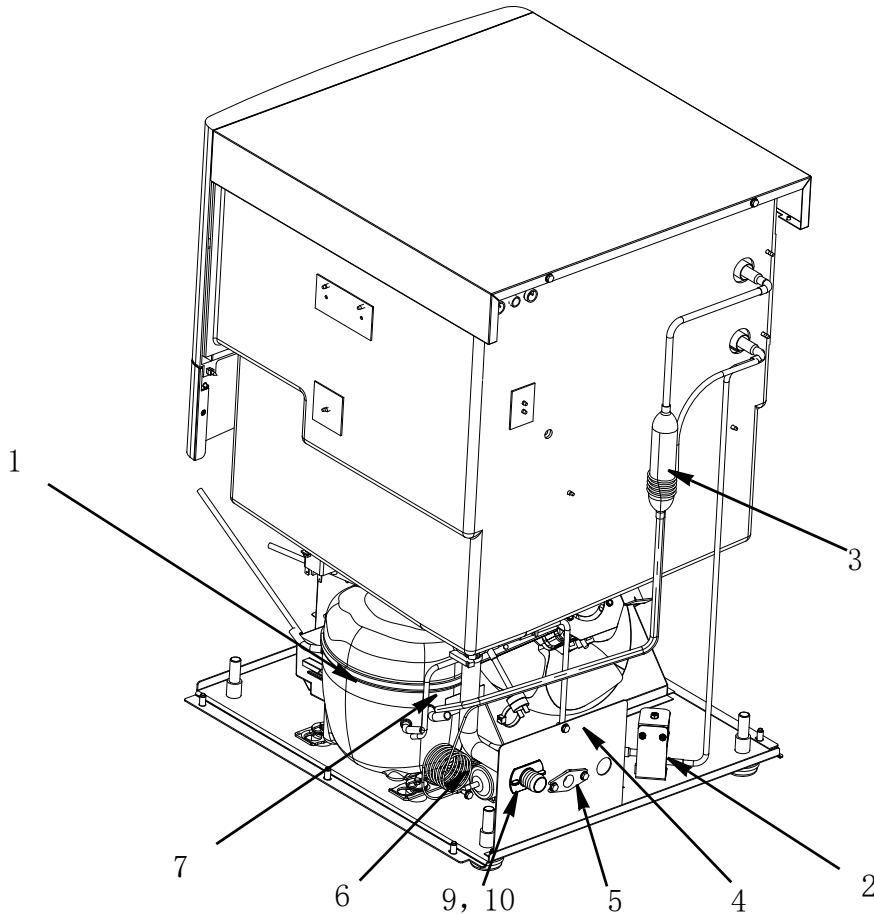
### PART NO. 零件号码

1	<b>Evaporator Assembly</b> 蒸发盘	
a.	Dice Cube 方冰	.040005433
2	<b>Water Pump</b> 水泵	
a.	230V/50 Hz	.040005223
3	Float Valve 浮球阀	.8369049
4	POLY TUBING 44-P-1/4 OD (Not Shown) 浮球阀进水管 (未显示)	.4420291
5	Ice Thickness Control Probe 冰厚探头	.7601603
6	Magnetic Bin Switch 箱体开关	.2301483
7	Ice Damper 冰碰条	.7600493
8	Water Distribution Tube 分水管	.000007163
9	Water Trough 水槽	.040001233
10	SIPHON CAP 虹吸帽	.4302223
11	Tubing (Water Pump Out) 水泵出水管	.040001234

### Miscellaneous 杂项 – Brackets, Screws, etc. 支架, 螺钉等

12	Screw, #10-24 x .50 水泵固定螺钉	.000003162
13	Screw, #8-32 x .44 指旋螺钉	.040001217
14	Screw, #10-24 x .750 Used to Mount Evaporator 蒸发盘固定螺钉	.000005995

# ES90A-251 REFRIGERATION COMPARTMENT 制冷系统 – COMMON PARTS 通用件

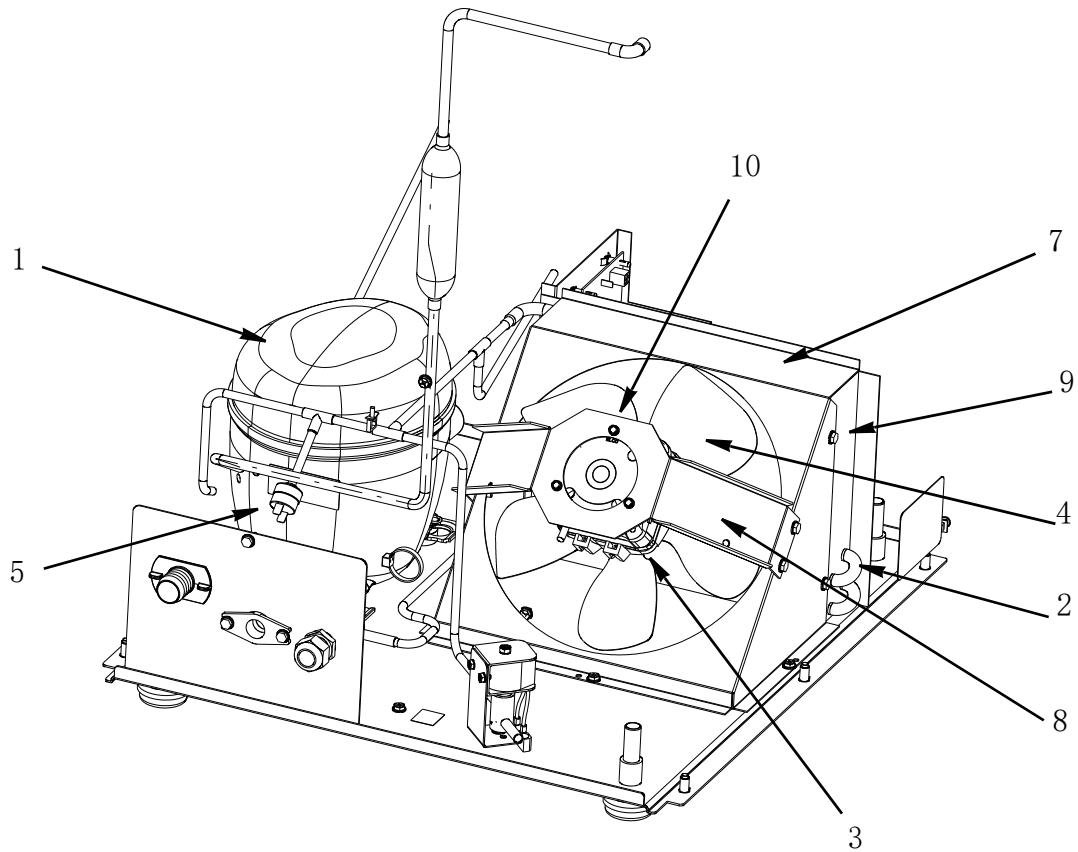


## DESCRIPTION 描述

## PART NO. 零件号码

1	<b>Compressor Assembly 压缩机</b>	
	a. 230V/50 Hz/1 Ph .....	7629193
	b. Relay Assembly 继电器 .....	040000188
	c. Overload for Compressor 热保护 .....	040000190
2	<b>Hot Gas Valve 热气阀</b>	
	a. Hot Gas Valve Including Electrical Coil 热气阀 (含线圈) .....	040000690
	b. Coil 热气阀线圈 .....	040000103
3	<b>Restrictor Tube Assembly 毛细管组件</b> .....	040003986
<b>Miscellaneous 杂项 – Brackets, Screws, etc. 支架, 螺钉等</b>		
4	Bracket (Water/Electrical Inlet) 小背板 .....	040005093
5	Cord Connector 电源线接口 .....	2502283
6	Drain Tubing Fitting-Barbed 排水接头 .....	4011283
7	Drain Tube 排水管 .....	040005092
8	Drain Tube Clamp (Not shown) 排水管卡子 (未显示) .....	5650643
9	FEMALE WING ADAPTER 进水铜接头 .....	8706093
10	ADAPTOR 1/4 OD X 1/8 NPTF, ACETAL 进水转接头 .....	1360961

# ES90A-251 REFRIGERATION COMPARTMENT 制冷系统 – AIR-COOLED 风冷



## DESCRIPTION 描述

## PART NO. 零件号码

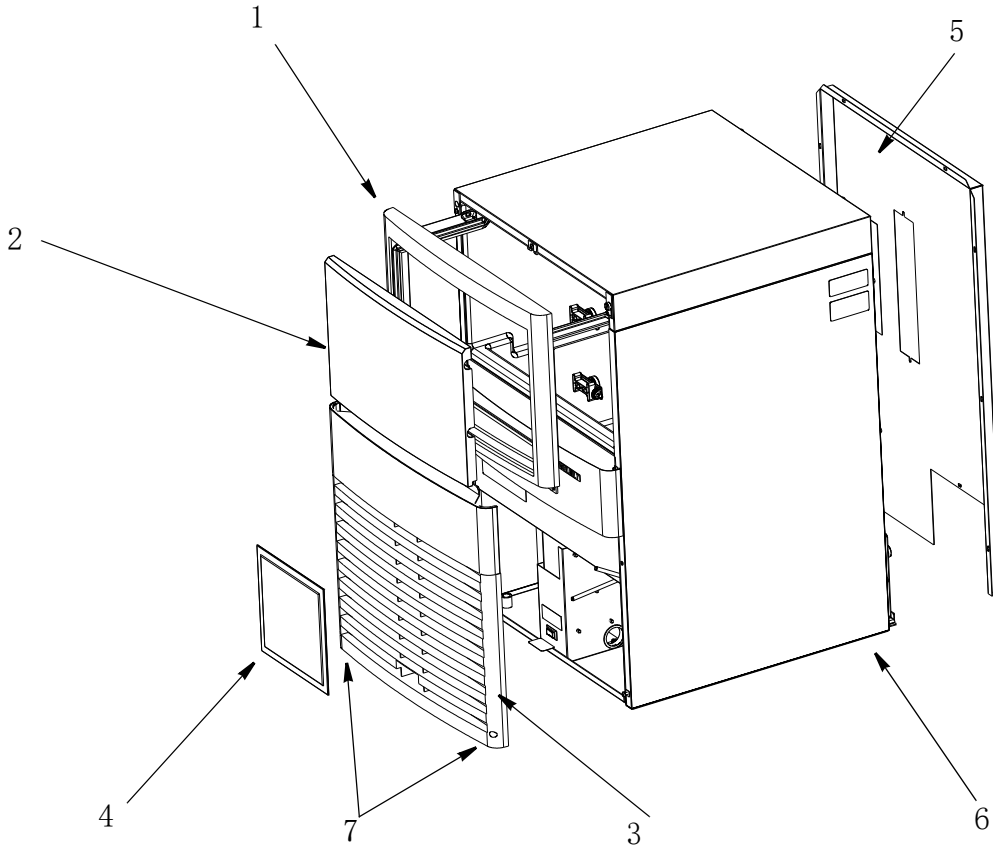
1	Compressor 压缩机 (Refer to COMMON PARTS Page 见通用件页)	Page 4
2	Air Condenser 冷凝器	8851353
3	Fan Motor 风扇马达	04002962
4	Fan Blade 扇叶	3005653
5	Fan Cycling Control 风扇循环控制器	000013580
6	Drier (Not shown) 干燥过滤器 (未显示)	8253433

## Miscellaneous 杂项 – Brackets, Screws, etc. 支架, 螺钉等

7	Fan Shroud 风扇罩	6029381
8	Fan Motor Mounting Bracket 风扇马达支架	6061741
9	Screw 10-24X0.5 螺钉	5202063
10	Screw M4X.7X8MM 螺钉	5005513



## ES90A-251 PANELS 面板



**DESCRIPTION 描述**

	<b>PART NO. 零件号码</b>
1 Door Frame Assembly 门框组件 .....	040002654
2 Door Assembly 门板 .....	040003687
a. Door Pin Gasket (Not shown) 门轴密封圈 .....	040001236
b. Door Pin (Not shown) 门轴 .....	040004277
c. Door Pin Thumbscrews (Not shown) 门轴指旋螺钉 .....	040004418
3 Front Panel 前面板 .....	040003689
4 Air Filter 空气滤网 .....	040003695
5 Back Panel Assembly 背板 .....	040003700
6 Leg Leveler 支脚 .....	3302613

**Miscellaneous 杂项 – Brackets, Screws, etc. 支架, 螺钉等**

7 Front Panel Screw 前面板螺钉 .....	5202233
8 Ice Scoop (Not shown) 冰铲 (未显示) .....	4011743

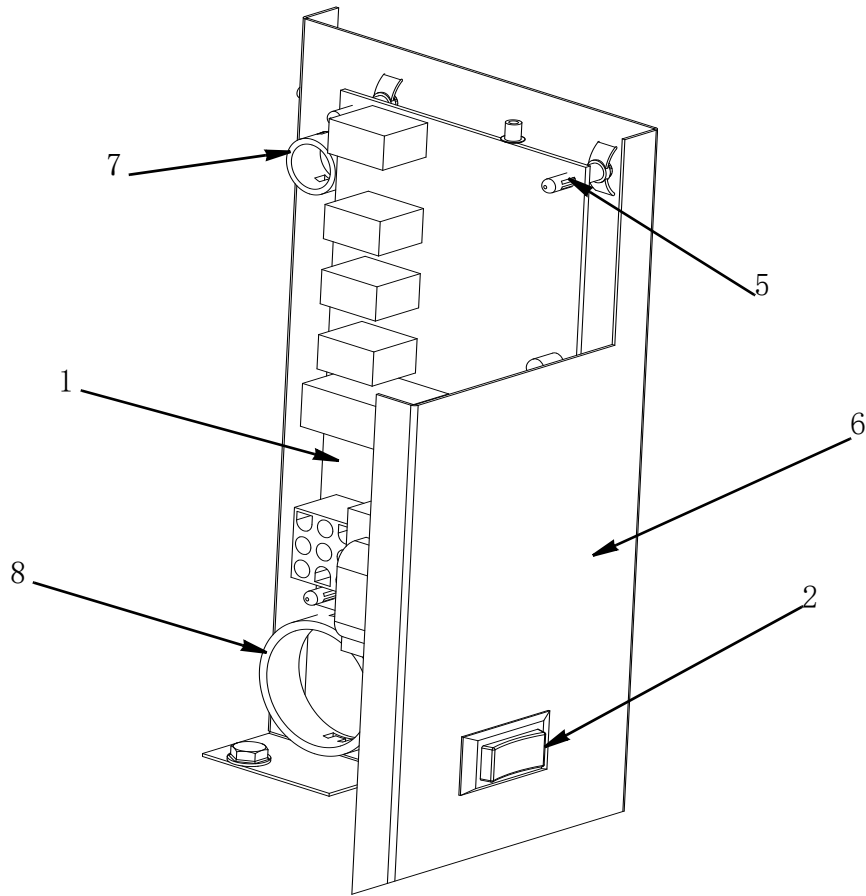
# **Ice Machine Parts List for ES90A-261**

**制冰机零件手册**

**(After 310337165)**

**(序列号 310337165 之后)**

## ES90A-261 CONTROL BOX 控制盒



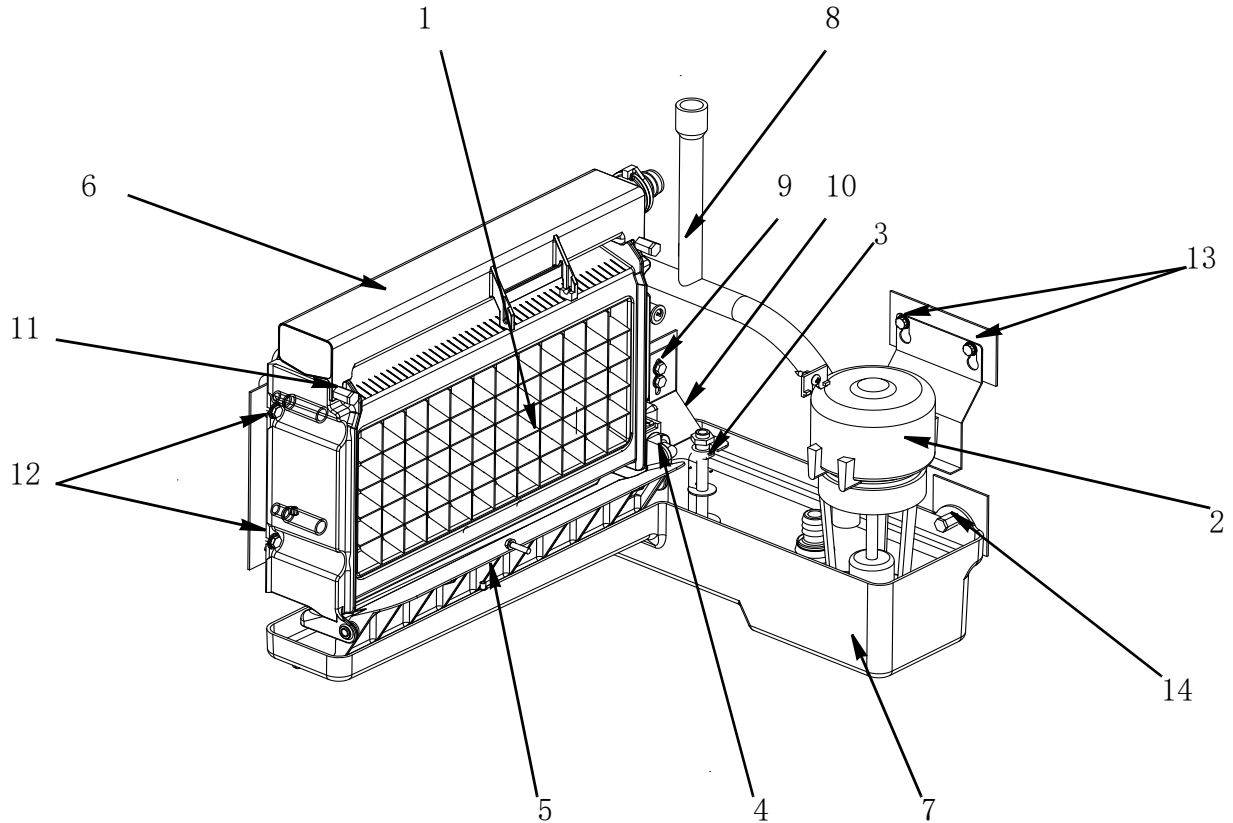
### DESCRIPTION 描述

		PART NO. 零件号
1	Control Board- 230V 60Hz 控制板 .....	.040002301
2	<b>Toggle Switch Only</b> 功能开关 (不含线束) .....	.2301513
3	<b>Wiring Harness</b> 线束	
	a. Wiring Harness- Switch (Not shown) 开关线束 (未显示) .....	.040002591
4	<b>Power Cord</b> (电源线)	
	a. 230V 60Hz (Not shown) (未显示) .....	.2006749

### Miscellaneous – Brackets, Screws, etc. 杂项 – 支架, 螺钉等

5	Control Board Mounting Supports 控制板安装支脚 .....	.4302253
6	Control Box 控制盒 .....	.040004410
7	Bushing 线束衬套 .....	.2502183
8	Bushing 线束衬套 .....	.2500133

## ES90A-261 EVAPORATOR ASSEMBLY 蒸发盘部分



### DESCRIPTION 描述

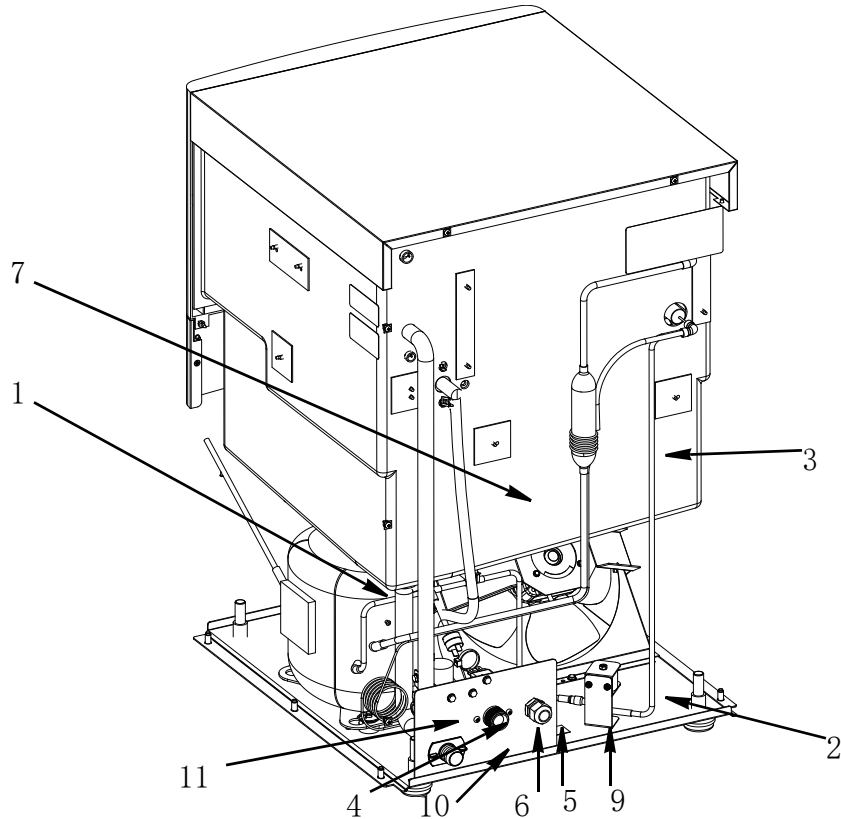
### PART NO. 零件号

1	<b>Evaporator Assembly</b> 蒸发盘	
a.	Dice Cube 方块冰	.040005433
2	<b>Water Pump</b> 水泵	
a.	230V/60 Hz	.040004280
3	Water Level Probe 水位探头	.040002827
4	Magnetic Bin Switch (Mounted to Evaporator) 箱体开关 (安装于蒸发盘)	.040002481
5	Ice Damper 冰碰条	.7600493
a.	Ice Damper Magnet and Cap 冰碰条磁吸及盖帽	.7629093
6	Water Distribution Tube 分水管	.000007163
7	Water Trough 水槽	.040002513
8	Tubing (Water Pump Out) 水管 (水泵出口)	.040004271

### Miscellaneous – Brackets, Screws, etc. 杂项 – 支架, 螺丝等

9	Screw, #10-24 x .50 螺丝	.000003162
10	Bracket, Water Level Probe 水位探头支架	.040002266
11	Screw, #8-32 x .44 Nylon Water Distribution Tube Mounting 尼龙分水管固定螺丝	.040001217
12	Screw, #10-24 x .750 Used to Mount Evaporator 蒸发盘固定螺丝	.000005995
13	Screw, #10-24 x .50 螺丝	.000003162
14	Thumbscrew, #8-32 x .44 指旋螺丝	.040001217

# ES90A-261 REFRIGERATION COMPARTMENT 制冷系统 – COMMON PARTS 通用件部分

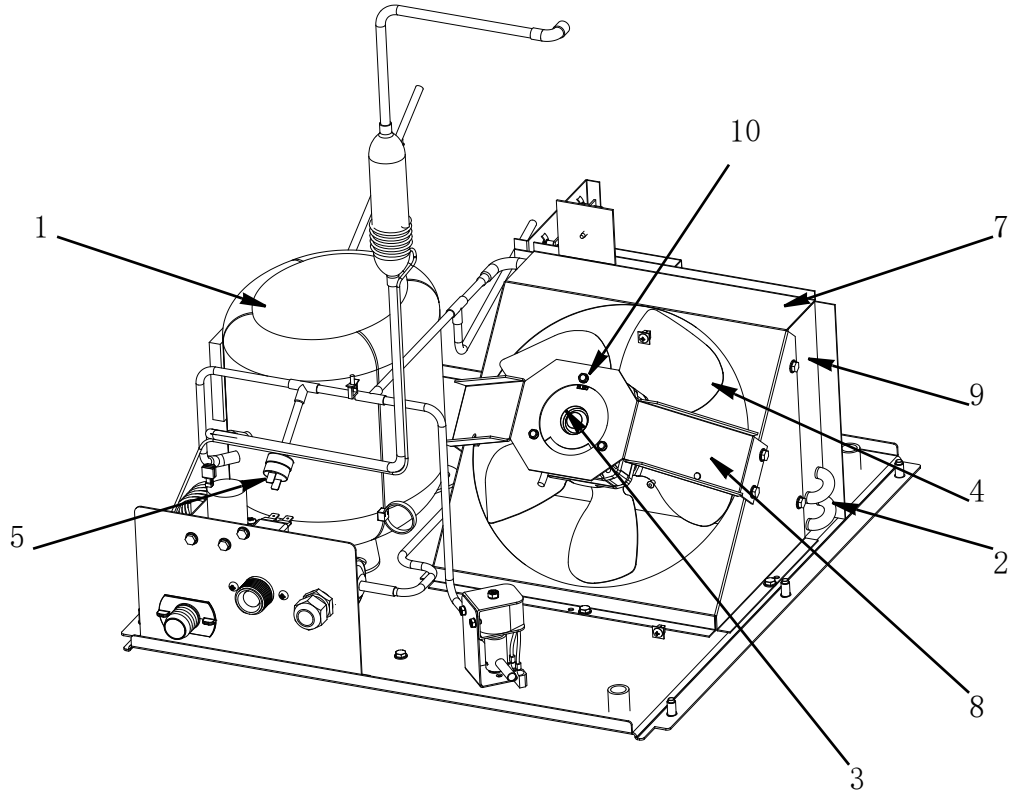


## DESCRIPTION 描述

## PART NO. 零件号

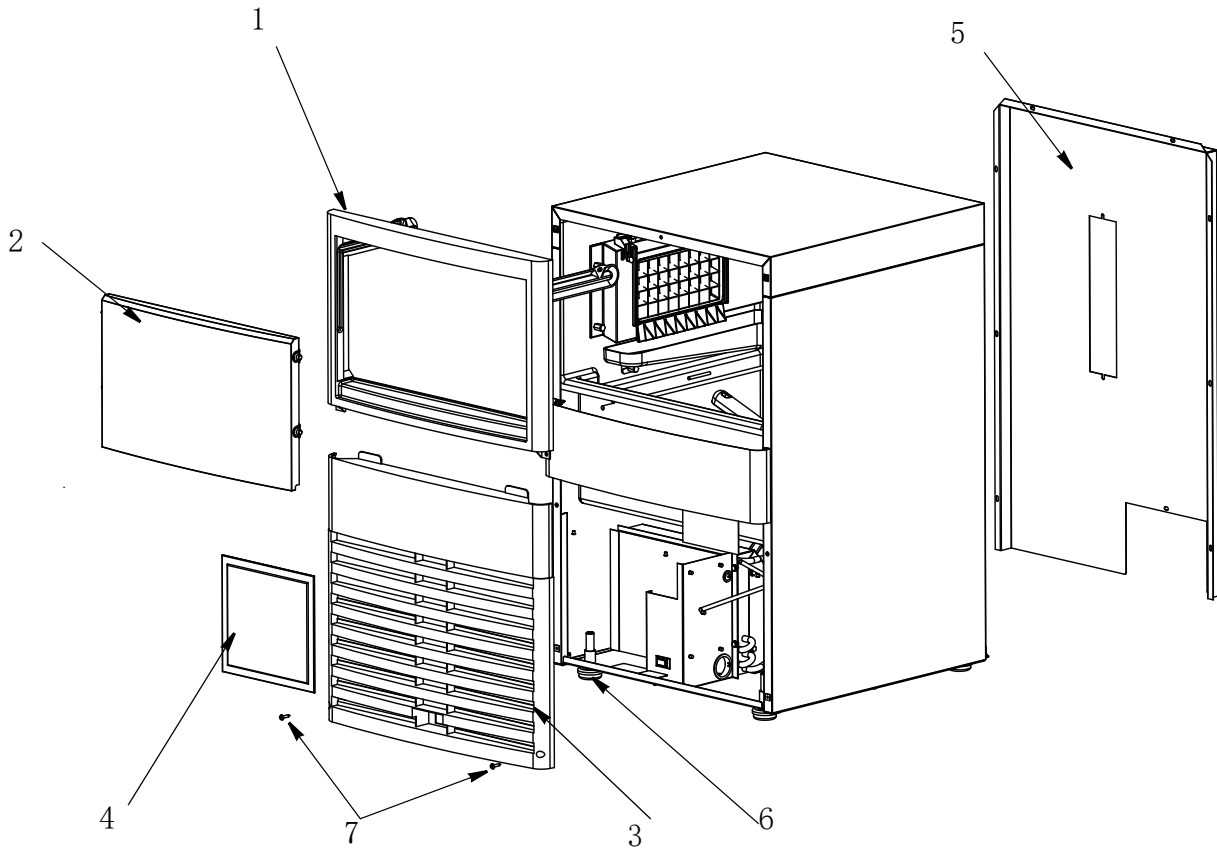
<b>1 Compressor Assembly 压缩机</b>	
a. 230V/60 Hz/1 Ph. ....	040003239
b. Relay Assembly 继电器 ....	040000597
c. Overload for Compressor 过载保护器. ....	040003240
d. Start Capacitor ....	040000599
<b>2 Hot Gas Valve 热气阀</b>	
a. Hot Gas Valve Including Electrical Coil 热气阀含阀芯 ....	040000690
<b>3 Restrictor Tube Assembly 毛细管组件</b> ....	040003986
<b>Miscellaneous – Brackets, Screws, etc. 杂项 – 支架, 螺钉等</b>	
4 Bracket (Water/Electrical Inlet) 支架 (水 / 电进口) ....	40001939
5 Water Inlet Valve 进水阀 ....	000001801
6 Screw (Used to Mount Water Inlet Valve) 螺丝 (进水阀固定用) ....	5004421
7 Water Inlet Tubing .375 ID 进水管 ....	4421113
8 Water Inlet Tubing Spring Clamps-ID 13mm(Not shown) 进水管卡箍 ....	040000773
9 Cord Connector 电源线接口 ....	2502143
10 Drain Tubing Fitting-Barbed 排水接头 ....	4011283
11 Drain Tube 排水管 ....	040004270
12 Drain Tube Clamp (Not shown) 排水管卡箍 (未显示) ....	5650643
13 Drain Tube Cable Tie #08387(Not shown) 排水管绑线 (未显示) ....	5650733
14 Water Dump Valve 220V 50/60Hz (Not shown) 排水阀 (未显示) ....	040001038
15 Bracket-Dump Valve (Not shown) 排水阀支架 (未显示) ....	040002233
16 Screw (Used to Mount Water Dump Valve) 螺丝 (排水阀固定用) ....	5202063

# ES90A-261 REFRIGERATION COMPARTMENT 制冷系统 – AIR-COOLED 风冷部分



DESCRIPTION 描述	PART NO. 零件号
1 Compressor (Refer to COMMON PARTS Page) 压缩机 (参考通用件页).....	Page 10
2 Air Condenser 冷凝器 .....	8851353
3 <b>Fan Motor 风扇</b>	
a. 230V/60 Hz .....	2000219
4 Fan Blade 扇叶.....	3005653
5 Fan Cycling Control 风扇循环控制器 .....	000013580
6 Drier (Not shown) 干燥过滤器 (未显示) .....	8253433
<b>Miscellaneous – Brackets, Screws, etc. 杂项 – 支架, 螺丝等</b>	
7 Fan Shroud 风扇罩.....	6029381
8 Fan Motor Mounting Bracket 风扇马达支架 .....	6061741
9 Screw 10-24X0.5 螺丝 .....	5202063
10 Screw M4X.7X8MM 螺丝 .....	5005513

## ES90A-261 PANELS 面板



### DESCRIPTION 描述

	<b>PART NO. 零件号</b>
1 Door Frame Assembly 门框组件 .....	.040002654
2 Door Assembly 门板 .....	.040003687
a. Door Pin Gasket 密封圈 (未显示) .....	.040001236
b. Door Pin (Not shown) 门轴 (未显示) .....	.040004277
c. Door Pin Thumbscrews (Not shown) 门轴指旋螺丝 (未显示) .....	.040004418
3 Front Panel 前面板 .....	.040003689
4 Air Filter 空气过滤网 .....	.040003695
5 Back Panel Assembly 背板 .....	.040003700
6 Leg Leveler 支脚 .....	.3302613

### Miscellaneous – Brackets, Screws, etc. 杂项 – 支架及螺钉等

7 Front Panel Screw 前面板螺丝 .....	.5202233
8 Ice Scoop (Not shown) 冰铲 (未显示) .....	.4011743

# **Ice Machine Parts List for ES90A**

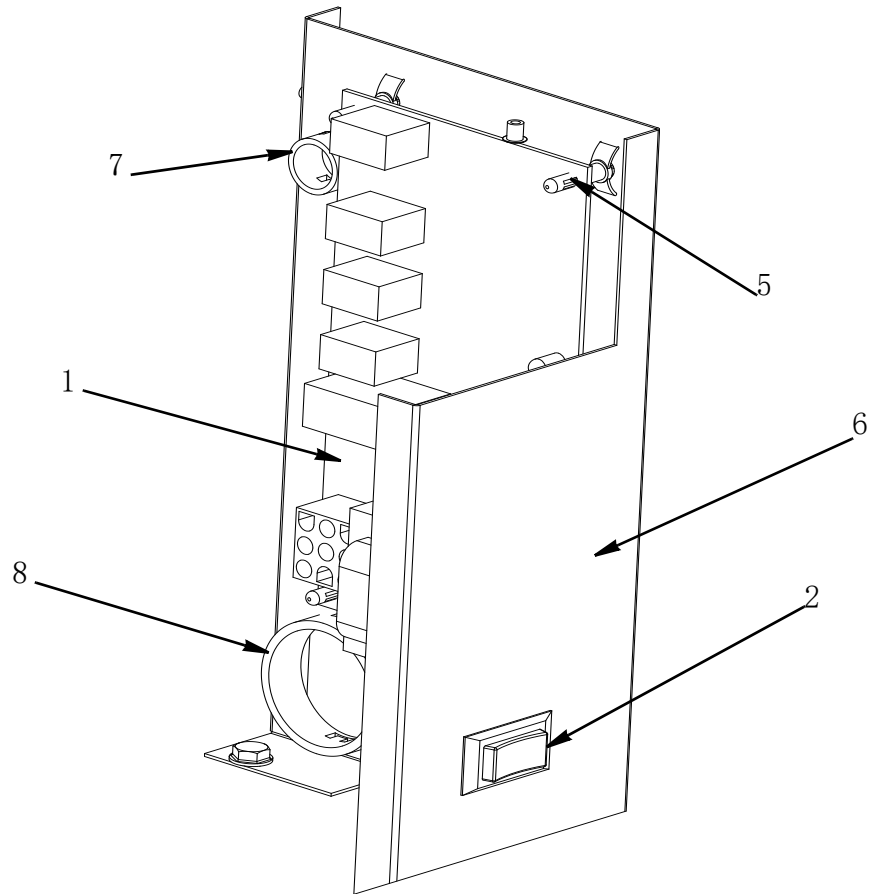
## **ES90A 制冰机零件手册**

**(Before 310337165)**

**(序列号 310337165 之前)**



## ES90A CONTROL BOX 控制盒



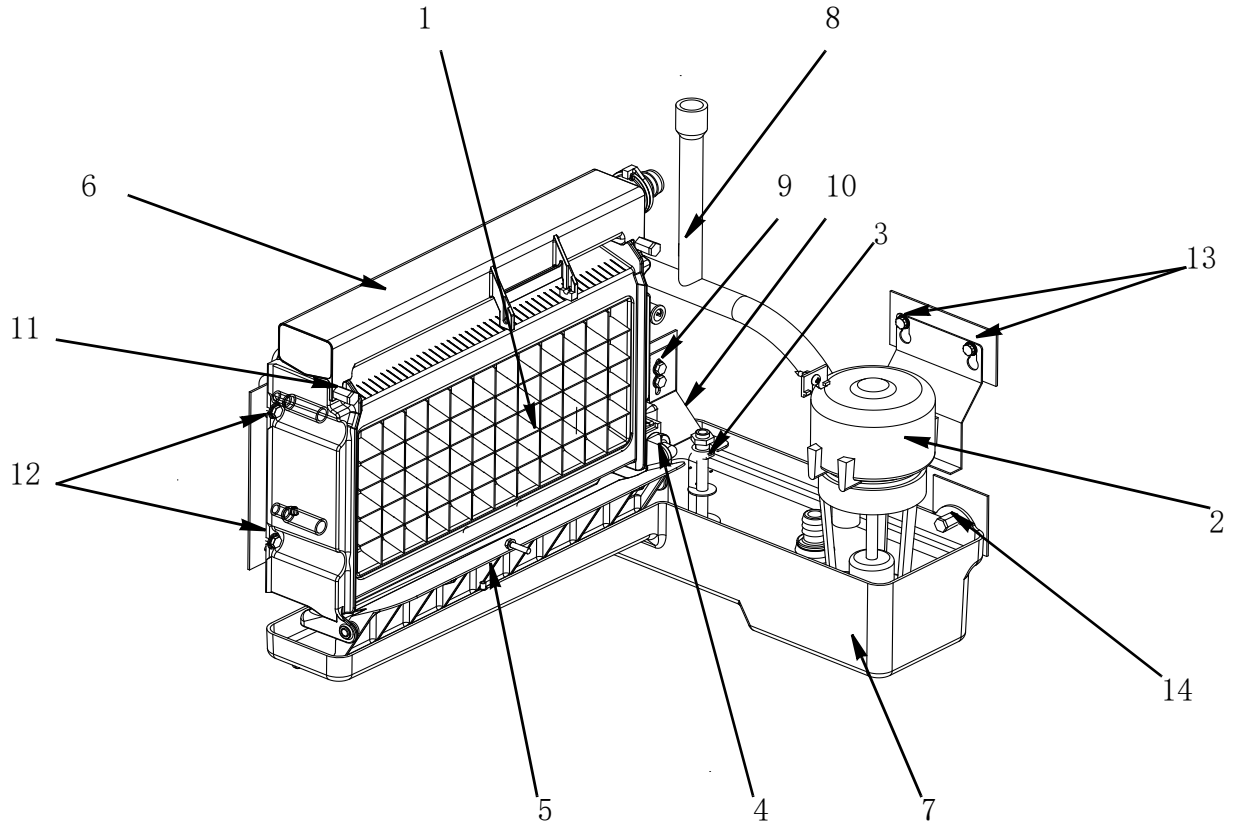
### DESCRIPTION 描述

		PART NO. 零件号
1	Control Board- 230V 60Hz 控制板 .....	040003380
2	Control Board- 230V 50Hz 控制板 .....	040002301
3	<b>Toggle Switch Only</b> 功能开关 (不含线束) .....	2301513
4	<b>Wiring Harness</b> 线束	
	a. Wiring Harness- Switch (Not shown) 开关线束 (未显示) .....	040002591
5	<b>Power Cord</b> (电源线)	
	a. 230V 50Hz (Not shown) (未显示) .....	040002495
	a. 230V 60Hz (Not shown) (未显示) .....	2006873

### Miscellaneous – Brackets, Screws, etc. 杂项 – 支架, 螺钉等

1	Control Board Mounting Supports 控制板安装支脚 .....	4302253
2	Control Box 控制盒 .....	040002659
3	Bushing 主线束 .....	2502183
4	Bushing 主线束 .....	2500133

## ES90A EVAPORATOR ASSEMBLY 蒸发盘部分



### DESCRIPTION 描述

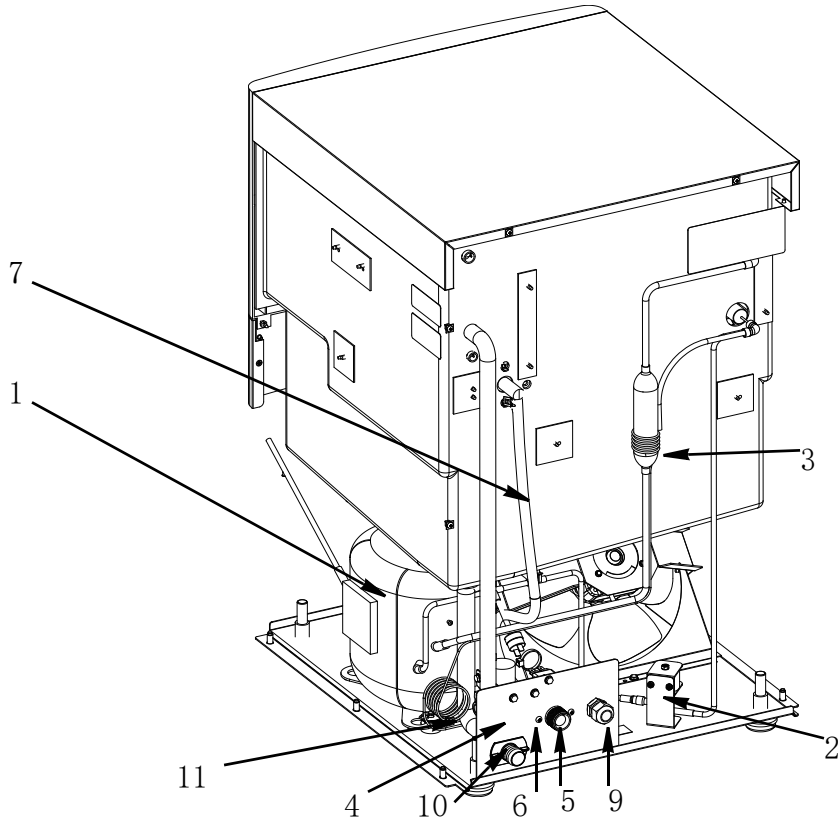
### PART NO. 零件号

1	<b>Evaporator Assembly</b> 蒸发盘	
a.	Dice Cube 方块冰	.040003682
2	<b>Water Pump</b> 水泵	
a.	230V/50 Hz	.040002504
3	Water Level Probe 水位探头	.040002827
4	Magnetic Bin Switch (Mounted to Evaporator) 箱体开关 (安装于蒸发盘)	.040002481
5	Ice Damper 冰碰条	.7600493
a.	Ice Damper Magnet and Cap 冰碰条磁吸及盖帽	.7629093
6	Water Distribution Tube 分水管	.000007163
7	Water Trough 水槽	.040002513
8	Tubing (Water Pump Out) 水管 (水泵出口)	.040003270

### Miscellaneous – Brackets, Screws, etc. 杂项 – 支架, 螺丝等

9	Screw, #10-24 x .50 螺丝	.000003162
10	Bracket, Water Level Probe 水位探头支架	.040002266
11	Screw, #8-32 x .44 Nylon Water Distribution Tube Mounting 尼龙分水管固定螺丝	.040001217
12	Screw, #10-24 x .750 Used to Mount Evaporator 蒸发盘固定螺丝	.000005995
13	Screw, #10-24 x .50 螺丝	.000003162
14	Thumbscrew, #8-32 x .44 指旋螺丝	.040001217

# ES90A REFRIGERATION COMPARTMENT 制冷系统 – COMMON PARTS 通用件部分

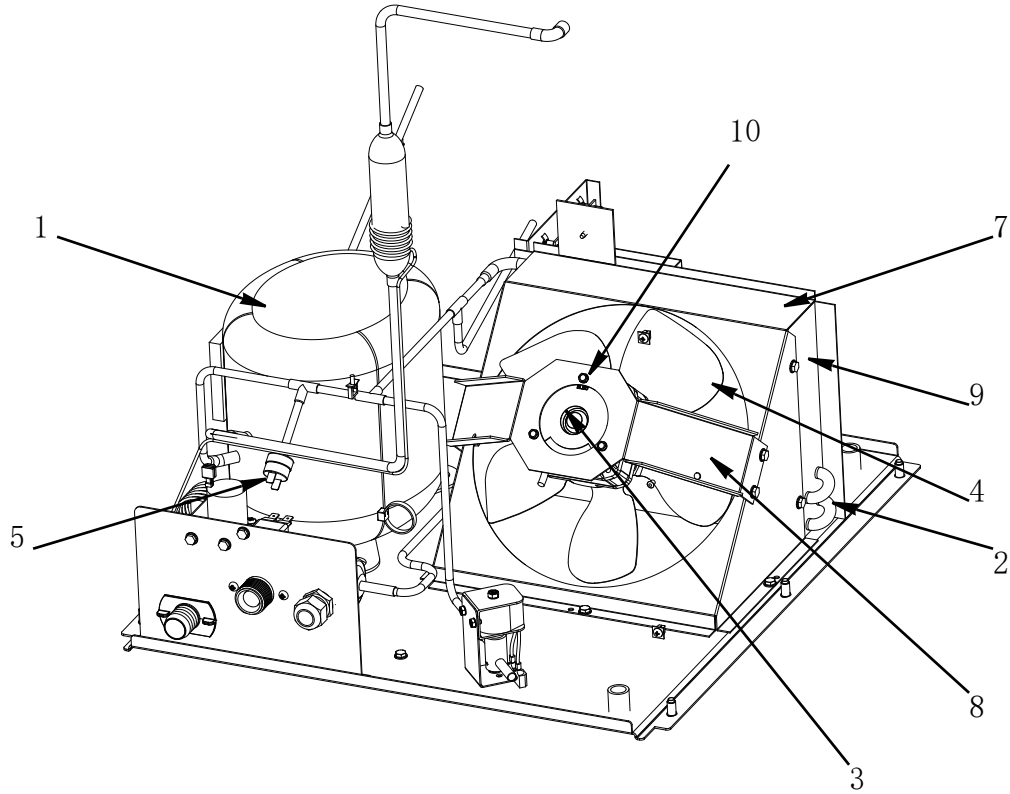


## DESCRIPTION 描述

## PART NO. 零件号

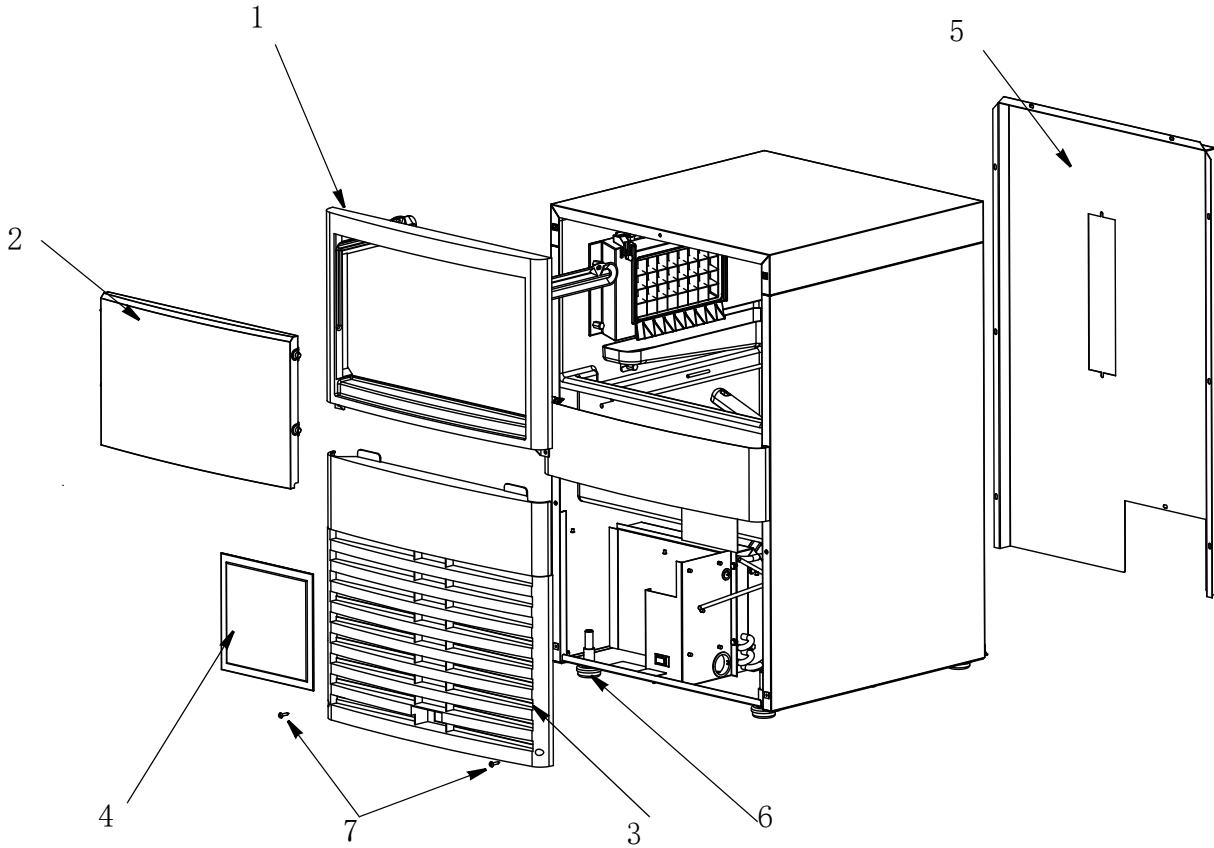
<b>1 Compressor Assembly 压缩机</b>	
a. <b>230V/50 Hz/1 Ph</b> .....	040000175
a. Relay Assembly 继电器 .....	040000188
a. Overload for Compressor 过载保护器 .....	040000190
a. <b>230V/60 Hz/1 Ph</b> .....	040000562
a. Relay Assembly 继电器 .....	040000597
a. Overload for Compressor 过载保护器 .....	040000598
a. Start Capacitor .....	040000599
<b>2 Hot Gas Valve 热气阀</b>	
a. Hot Gas Valve Including Electrical Coil 热气阀含阀芯 .....	040000690
<b>3 Restrictor Tube Assembly 毛细管组件</b> .....	040003986
<b>Miscellaneous – Brackets, Screws, etc. 杂项 – 支架, 螺钉等</b>	
4 Bracket (Water/Electrical Inlet) 支架 (水 / 电进口) .....	40001939
5 Water Inlet Valve 进水阀 .....	000001801
6 Screw (Used to Mount Water Inlet Valve) 螺丝 (进水阀固定用) .....	5004421
7 Water Inlet Tubing .375 ID 进水管 .....	4421113
8 Water Inlet Tubing Spring Clamps-ID 13mm(Not shown) 进水管卡箍 .....	040000773
9 Cord Connector 电源线接口 .....	2502283
10 Drain Tubing Fitting-Barbed 排水接头 .....	4011283
11 Drain Tube 排水管 .....	040002822
12 Drain Tube Clamp (Not shown) 排水管卡箍 (未显示) .....	5650643
13 Drain Tube Cable Tie #08387(Not shown) 排水管绑线 (未显示) .....	5650733
14 Water Dump Valve 220V 50/60Hz (Not shown) 排水阀 (未显示) .....	040001038
15 Bracket-Dump Valve (Not shown) 排水阀支架 (未显示) .....	040002233
16 Screw (Used to Mount Water Dump Valve) 螺丝 (排水阀固定用) .....	5202063

# ES90A REFRIGERATION COMPARTMENT 制冷系统 – AIR-COOLED 风冷部分



DESCRIPTION 描述	PART NO. 零件号
1 Compressor (Refer to COMMON PARTS Page) 压缩机 (参考通用件页 . . . . . Page 16	
2 Air Condenser 冷凝器 . . . . .	8851353
3 <b>Fan Motor 风扇</b>	
a. 230V/60 Hz . . . . .	2000213
a. 230V/50 Hz . . . . .	040002962
4 Fan Blade 扇叶 . . . . .	3005653
5 Fan Cycling Control 风扇循环控制器 . . . . .	2002293
6 Drier (Not shown) 干燥过滤器 (未显示) . . . . .	8253433
<b>Miscellaneous – Brackets, Screws, etc. 杂项 – 支架, 螺丝等</b>	
7 Fan Shroud 风扇罩 . . . . .	6029381
8 Fan Motor Mounting Bracket 风扇马达支架 . . . . .	6061741
9 Screw 10-24X0.5 螺丝 . . . . .	5202063
10 Screw M4X.7X8MM 螺丝 . . . . .	5005513

# ES90A PANELS 面板



## DESCRIPTION 描述

	DESCRIPTION 描述	PART NO. 零件号
1	Door Frame Assembly 门框组件	040002654
2	Door Assembly 门板	040003687
a.	Door Pin Gasket and Door Pin (Not shown) 门轴及密封圈 (未显示)	040003698
a.	Door Pin Thumbscrews (Not shown) 门轴指旋螺丝 (未显示)	5012353
3	Front Panel 前面板	040003689
4	Air Filter 空气过滤网	040003695
5	Back Panel Assembly 背板	040003700
6	Leg Leveler 支脚	3302613

## Miscellaneous – Brackets, Screws, etc. 杂项 – 支架及螺钉等

7	Front Panel Screw 前面板螺丝	5202233
8	Ice Scoop (Not shown) 冰铲 (未显示)	4011743