



MANITOWOC®

**Ice Machine Parts List for
Series ES90 Models**

制冰机零件手册

ES90A

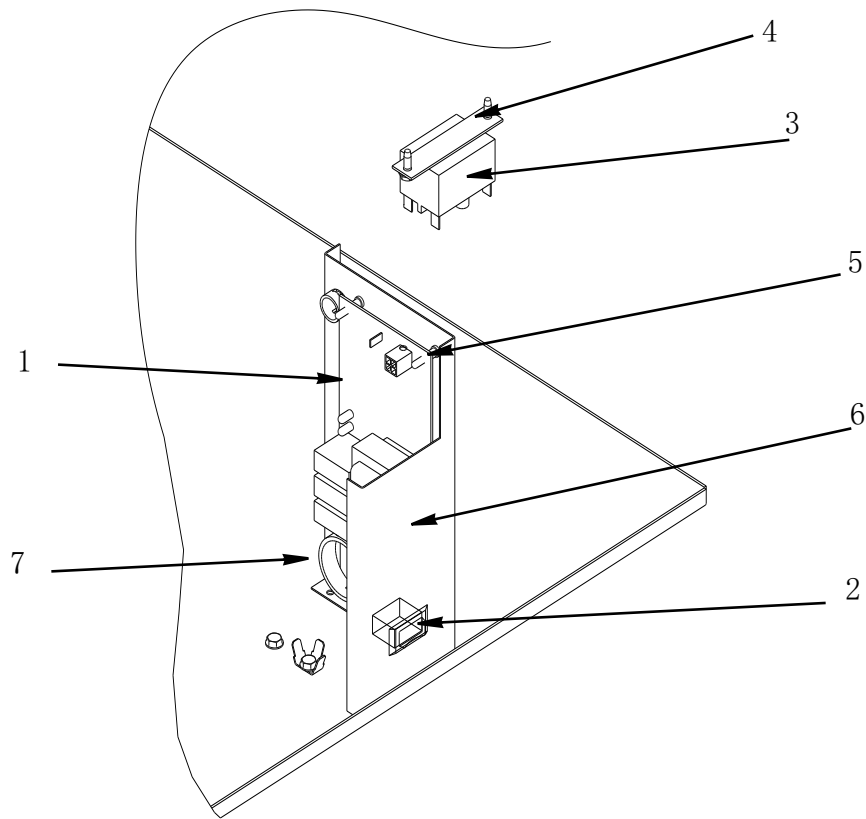
Ice Machine Parts List for ES90A

制冰机零件手册

(After 310337165)

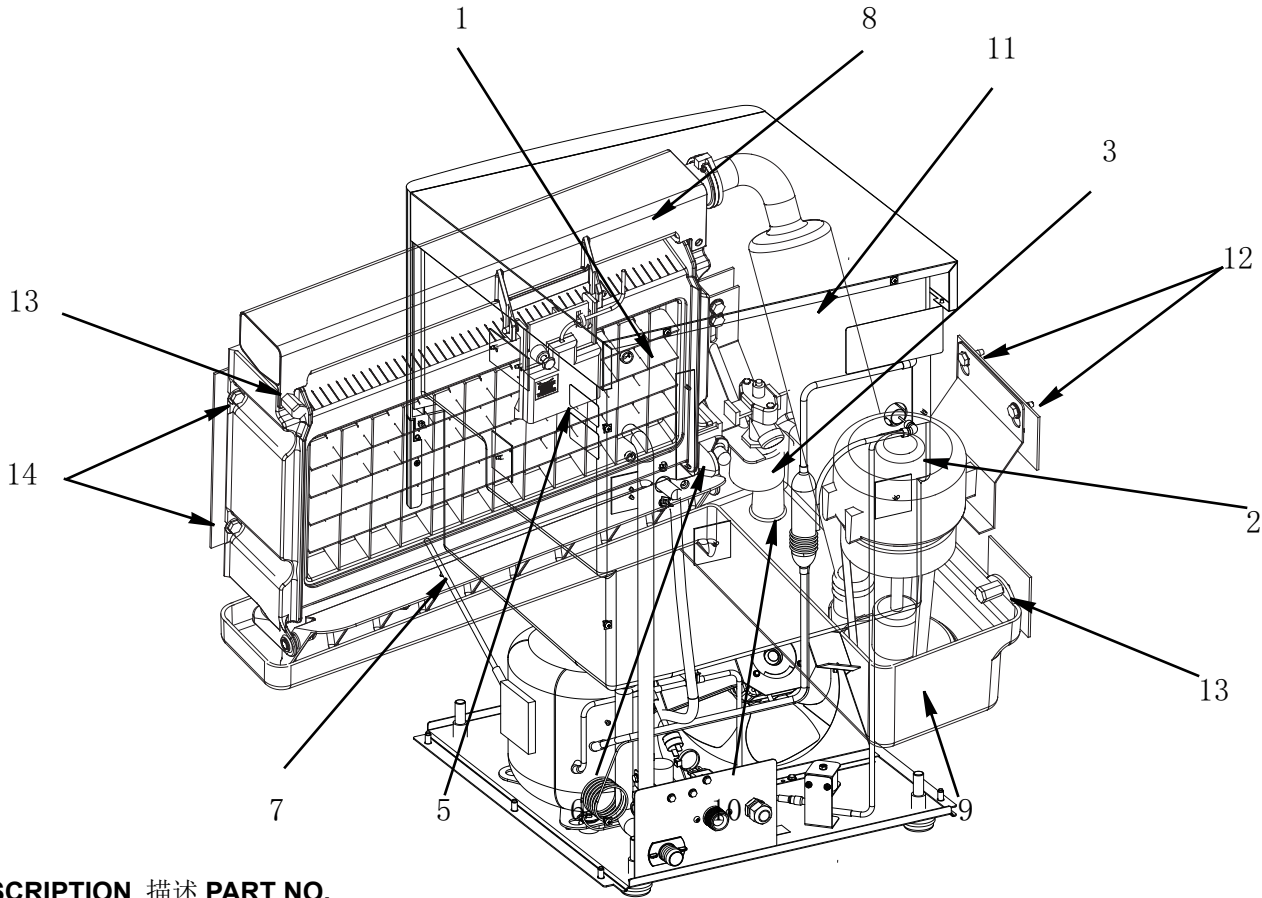
(序列号 **310337165** 之后)

ES90 CONTROL BOX 控制盒



DESCRIPTION 描述	PART NO.
1 Control Board 控制板	7629073
2 Toggle Switch Only 功能开关 (不含线束)	2301513
3 Relay 继电器	8505543
Miscellaneous 杂项 – Brackets, Screws, etc. 支架, 螺钉等	
4 Screw,#10-24×1/2 螺丝	5202069
5 Control Board Mounting Supports 控制板支脚	4302253
6 Control Box 控制盒	040005072
7 Bushing 主线束	040005064
8 Wiring Harness Switch 开关线束 (未显示)	2032483
9 Power Cord 电源线	
a. 230V 50Hz (Not shown) (未显示)	040002495
b. 230V 60Hz (Not shown) (未显示)	2006873

ES90 EVAPORATOR ASSEMBLY 蒸发盘部分



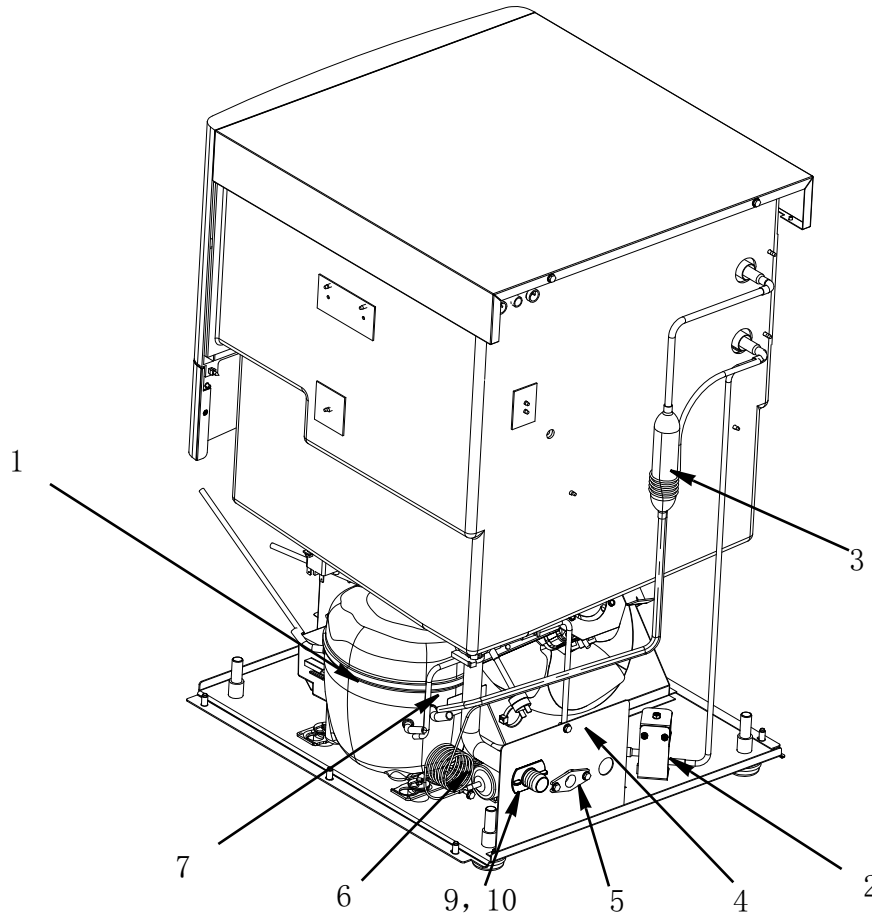
DESCRIPTION 描述 PART NO.

1	Evaporator Assembly 蒸发盘	
a.	Dice Cube 方冰.....	040005433
2	Water Pump 水泵	
b.	230V/50 Hz.....	040005223
3	Float Valve 浮球阀.....	8369049
4	POLY TUBING 44-P-1/4 OD(Not Shown) 浮球阀进水管 (未显示).....	4420291
5	Ice Thickness Control Probe 冰厚探头.....	7601603
6	Magnetic Bin Switch 箱体开关.....	2301483
7	Ice Damper 冰碰条.....	7600493
8	Water Distribution Tube 分水管.....	000007163
9	Water Trough 水槽.....	040001233
10	SIPHON CAP 虹吸帽.....	4302223
11	Tubing (Water Pump Out) 水泵出水管.....	040001234

Miscellaneous 杂项 – Brackets, Screws, etc. 支架, 螺钉等

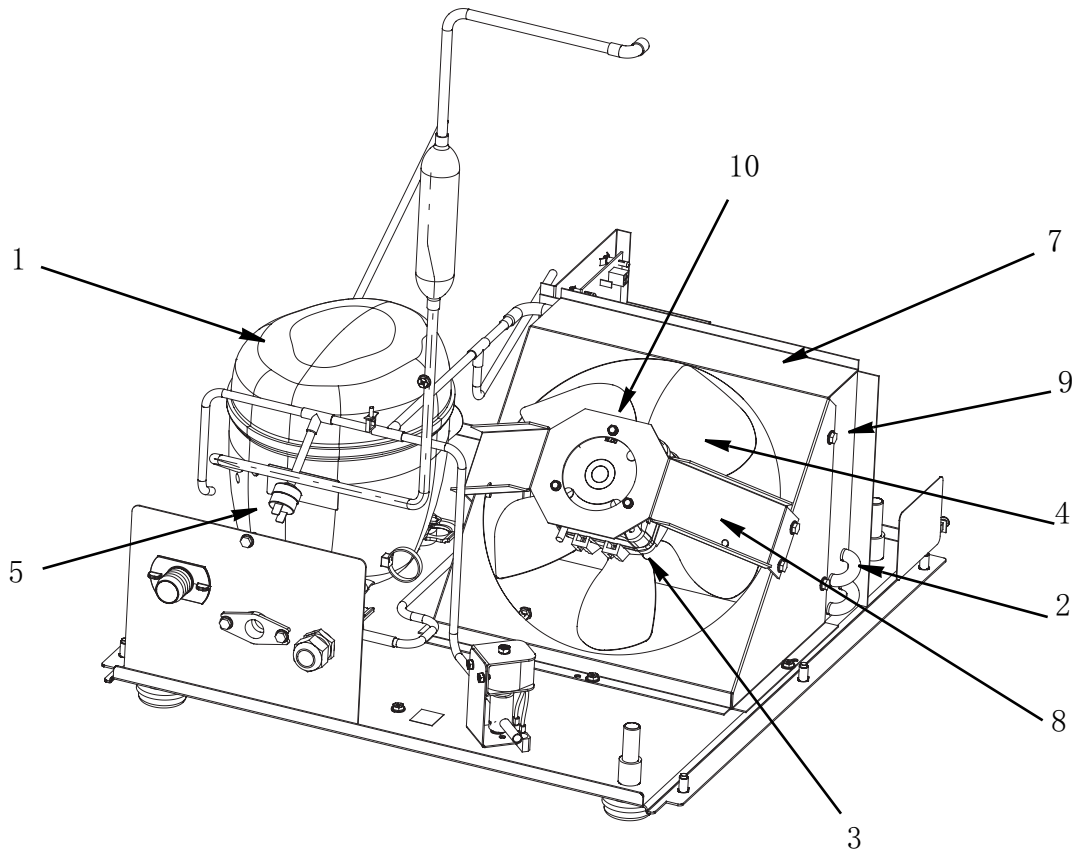
12	Screw, #10-24 x .50 水泵固定螺钉.....	000003162
13	Screw, #8-32 x .44 指旋螺钉.....	040001217
14	Screw, #10-24 x .750 Used to Mount Evaporator 蒸发盘固定螺钉.....	000005995

ES90 REFRIGERATION COMPARTMENT 制冷系统 – COMMON PARTS 通用件



DESCRIPTION 描述	PART NO.
1 Compressor Assembly 压缩机	
a. 230V/50 Hz/1 Ph.	7629193
b. Relay Assembly 继电器	040000188
c. Overload for Compressor 热保护	040000190
2 Hot Gas Valve 热气阀	
a. Hot Gas Valve Including Electrical Coil 热气阀 (含线圈)	040000690
b. Coil 热气阀线圈	040000103
3 Restrictor Tube Assembly 毛细管组件	040003986
Miscellaneous 杂项 – Brackets, Screws, etc. 支架, 螺钉等	
4 Bracket (Water/Electrical Inlet) 小背板	040005093
5 Cord Connector 电源线接口	2502283
6 Drain Tubing Fitting-Barbed 排水接头	4011283
7 Drain Tube 排水管	040005092
8 Drain Tube Clamp(Not shown) 排水管卡子 (未显示)	5650643
9 FEMALE WING ADAPTER 进水铜接头	8706093
10 ADAPTOR 1/4 OD X 1/8 NPTF, ACETAL 进水转接头	1360961

ES90 REFRIGERATION COMPARTMENT 制冷系统 – AIR-COOLED 风冷



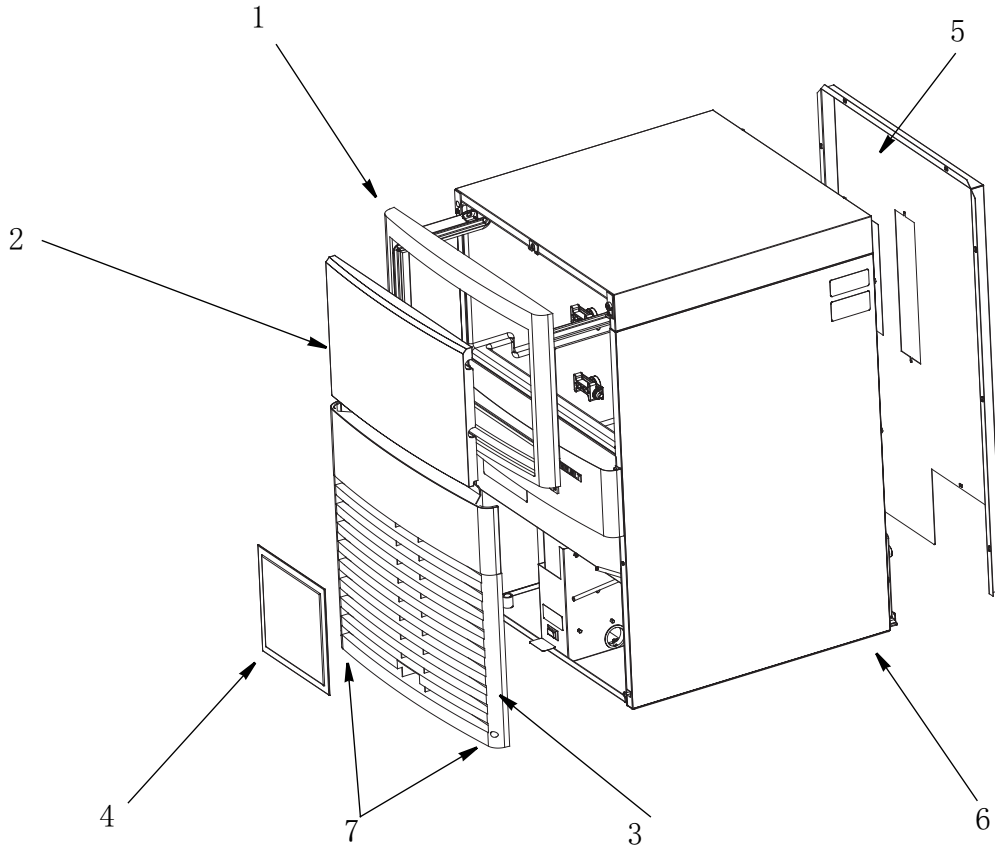
DESCRIPTION 描述

	DESCRIPTION 描述	PART NO.
1	Compressor 压缩机 (Refer to COMMON PARTS Page 见通用件页).....	Page 5
2	Air Condenser 冷凝器	8851353
3	Fan Motor 风扇马达	040002962
4	Fan Blade 扇叶	3005653
5	Fan Cycling Control 风扇循环控制器	000013580
6	Drier(Not shown) 干燥过滤器 (未显示)	8253433

Miscellaneous 杂项 – Brackets, Screws, etc. 支架, 螺钉等

7	Fan Shroud 风扇罩	6029381
8	Fan Motor Mounting Bracket 风扇马达支架	6061741
9	Screw 10-24X0.5 螺钉	5202063
10	Screw M4X.7X8MM 螺钉	5005513

ES90 PANELS 面板



DESCRIPTION 描述

	PART NO.
1 Door Frame Assembly 门框组件	040002654
2 Door Assembly 门板	040003687
a. Door Pin Gasket and Door Pin(Not shown) 门轴及密封圈	040003698
a. Door Pin Thumbscrews(Not shown) 门轴指旋螺钉	5012353
3 Front Panel 前面板	040003689
4 Air Filter 空气滤网	040003695
5 Back Panel Assembly 背板	040003700
6 Leg Leveler 支脚	3302613

Miscellaneous 杂项 – Brackets, Screws, etc. 支架, 螺钉等

7 Front Panel Screw 前面板螺钉	5202233
8 Ice Scoop (Not shown) 冰铲 (未显示)	4011743