



## **Ice Machine Parts List for Series B0800 Models**

**BR0800A**

**BD0892N**

**BR0801W**

**BY0804A**

**BR0890N**

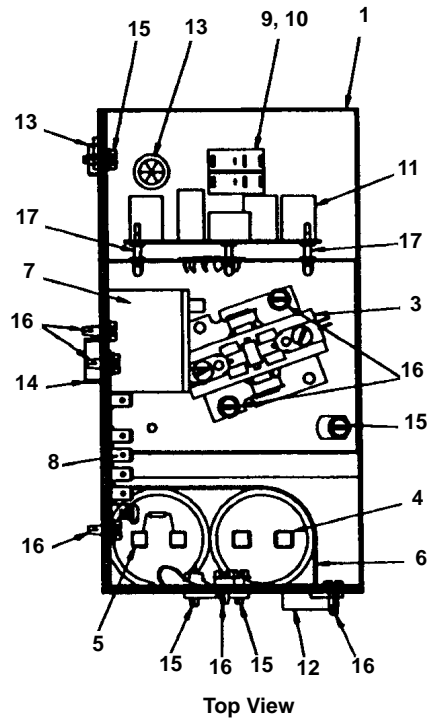
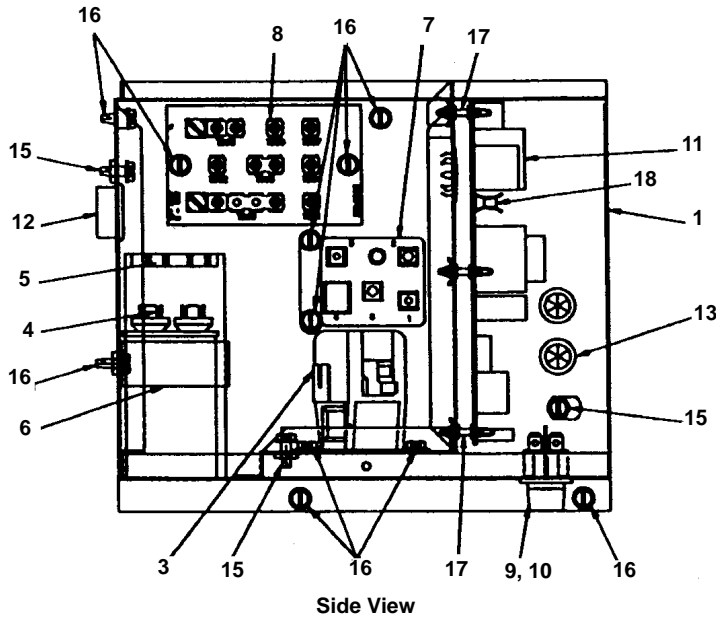
**BY0805W**

**BD0802A**

**BY0894N**

**BD0803W**

# B0800 CONTROL BOX



1301

## DESCRIPTION

	<b>PART NO.</b>
1 Control Box . . . . .	No Longer Available
2 Control Box Cover With Labels (Not shown) . . . . .	† 7625073
3 Contactor For 1 Phase Unit . . . . .	† 2006599
3 Contactor For 3 Phase Unit . . . . .	2006619
4 Run Capacitor For Bristol* . . . . .	No Longer Available
4 Run Capacitor For Tecumseh . . . . .	† 2010133
5 Start Capacitor For Bristol* . . . . .	8503143
5 Start Capacitor For Tecumseh . . . . .	8505513
6 Capacitor Bracket . . . . .	No Longer Available
7 Start Relay For Bristol* . . . . .	8504253
7 Start Relay For Tecumseh . . . . .	2007579
8 Terminal Board w/Harness . . . . .	2031003
9 Toggle Switch Only . . . . .	2301343
10 Toggle Switch With Wiring Harness . . . . .	† 2031059
11 Control Board (For use with all voltages) . . . . .	† 7628003
12 Bushing - 1.187" . . . . .	† 2500019
13 Bushing - 0.625" . . . . .	† 2500169
14 Bushing - 0.875" . . . . .	† 2501409
15 Screw, #10-24 x 0.50 Ground . . . . .	† 5202169
16 Screw, #10-24 x 0.50 Hex Head . . . . .	† 5202069
17 Support for Control Board . . . . .	4302253
18 Fuse, 7 Amp . . . . .	2511003
19 Mini-fuse, 0.125 Amp* . . . . .	† 2511169

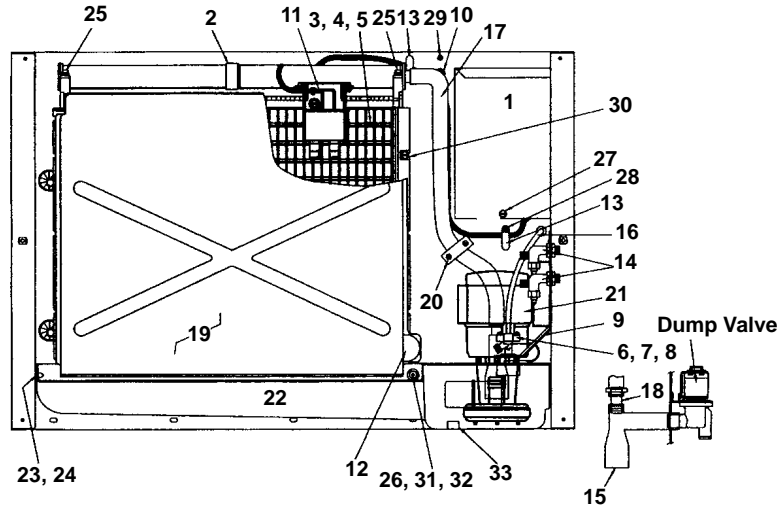
\*Prior to SN 920660000 units were built with Bristol compressor M52B123BBCB. Those units require the following components:

Run Capacitor . . . . .	† 8503413
Start Relay . . . . .	No Longer Available
Start Capacitor . . . . .	8503703

\*See Page 9 for 50 Hz Applications

† Refer to Cross Reference Guide

# B0800 EVAPORATOR COMPARTMENT



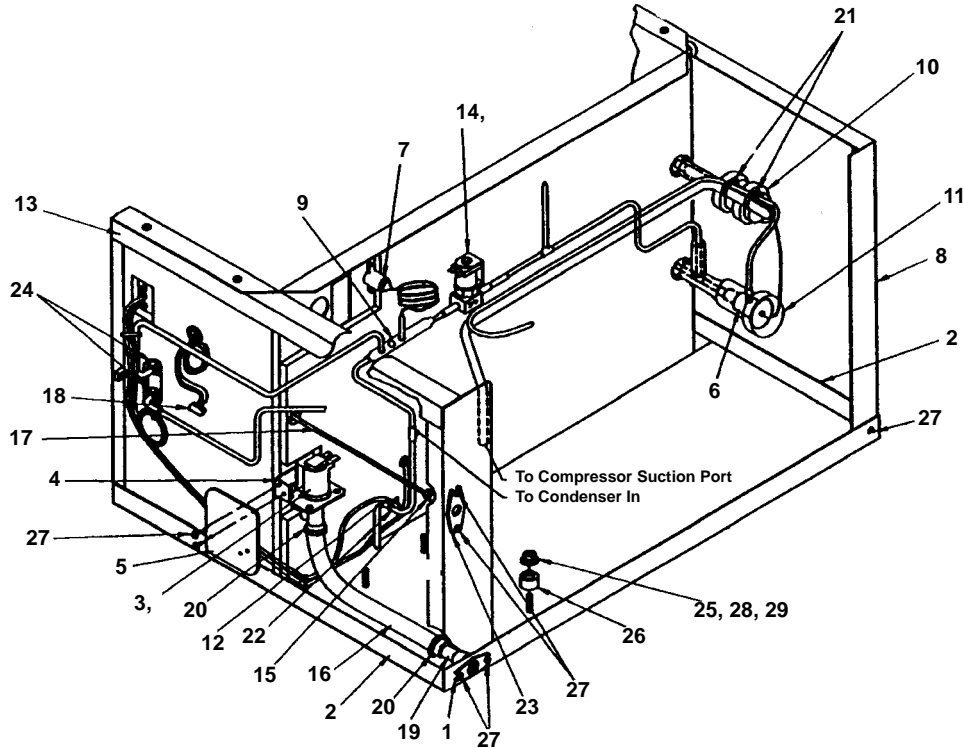
1302

## DESCRIPTION

	<b>PART NO.</b>
1 Control Box Cover . . . . .	† 7625073
2 Distribution Tube Assembly* . . . . .	† 7624983
3 Evaporator Assembly, Dice Cube** . . . . .	† 7624729
4 Evaporator Assembly, Half Dice Cube** . . . . .	† 7624719
5 Evaporator Assembly, Regular Cube** . . . . .	† 7624739
6 Float Valve Complete Assembly . . . . .	8369133
7 Float Valve Screen . . . . .	† 8369069
8 Float Valve Plunger . . . . .	† 8369089
9 Float Valve Mounting Bracket . . . . .	† 7621403
10 High Pressure Cut-out - HP81 . . . . .	† 2355369
High Pressure Cut-out - R22 . . . . .	No Longer Available
11 Ice Thickness Control . . . . .	† 7627813
12 Magnetic Switch w/Housing . . . . .	† 2301483
13 Nylon Spring Clip . . . . .	5650693
14 Process Valve w/Stem . . . . .	† 8373109
15 Reducing Tee, Rubber . . . . .	4300573
16 Tubing, Vinyl 0.25 OD . . . . .	4420291
17 Tubing, Vinyl 0.625 ID w/Elbow . . . . .	No Longer Available
18 Union Connector, White Nylon . . . . .	8390053
19 Water Curtain Assembly* . . . . .	4008513
a. Water Curtain Hanger . . . . .	7627763
b. Water Curtain Magnet and Clip . . . . .	† 7628023
20 Water Flow Clamp, Regular Cube Only . . . . .	7620543
21 Water Pump, 230V 60 Hz . . . . .	† 7626013
22 Water Trough . . . . .	† 7627483
23 Water Trough Support Pin . . . . .	† 4302019
24 Hex Nut, Nylon . . . . .	† 5429459
25 Screw, Nylon, Thumb #8-32 x 0.63 . . . . .	No Longer Available
26 Screw, Push-in (Mounting Trough) Up To SN 950861350 . . . . .	† 5012279
27 Screw, #10-24 x 0.50 . . . . .	† 5202069
28 Screw, #10-24 x 0.625 . . . . .	† 5202059
29 Screw, #8 x 0.75 . . . . .	† 5121669
30 Screw to Mount Evaporator . . . . .	† 5202189
31 Stud-wing Head (Mounting Trough) After SN 950861350 . . . . .	5650863
32 Receptacle After SN 950861350 . . . . .	5650853
33 Water Trough Support Clip Assembly . . . . .	† 7627043
34 Evaporator Gasket/Top Molding Assembly (Not shown) . . . . .	7626213
*Some early units were built with stainless steel evaporator mounting brackets and require the following parts:	
Water Curtain . . . . .	No Longer Available
Distribution Tube . . . . .	No Longer Available
**When replacing original evaporator (built with stainless steel mounting brackets) also order:	
Water Curtain . . . . .	6002441
Distribution Tube . . . . .	† 7624983
Magnetic Switch . . . . .	† 2301483

† Refer to Cross Reference Guide

## B0800 COMMON PARTS



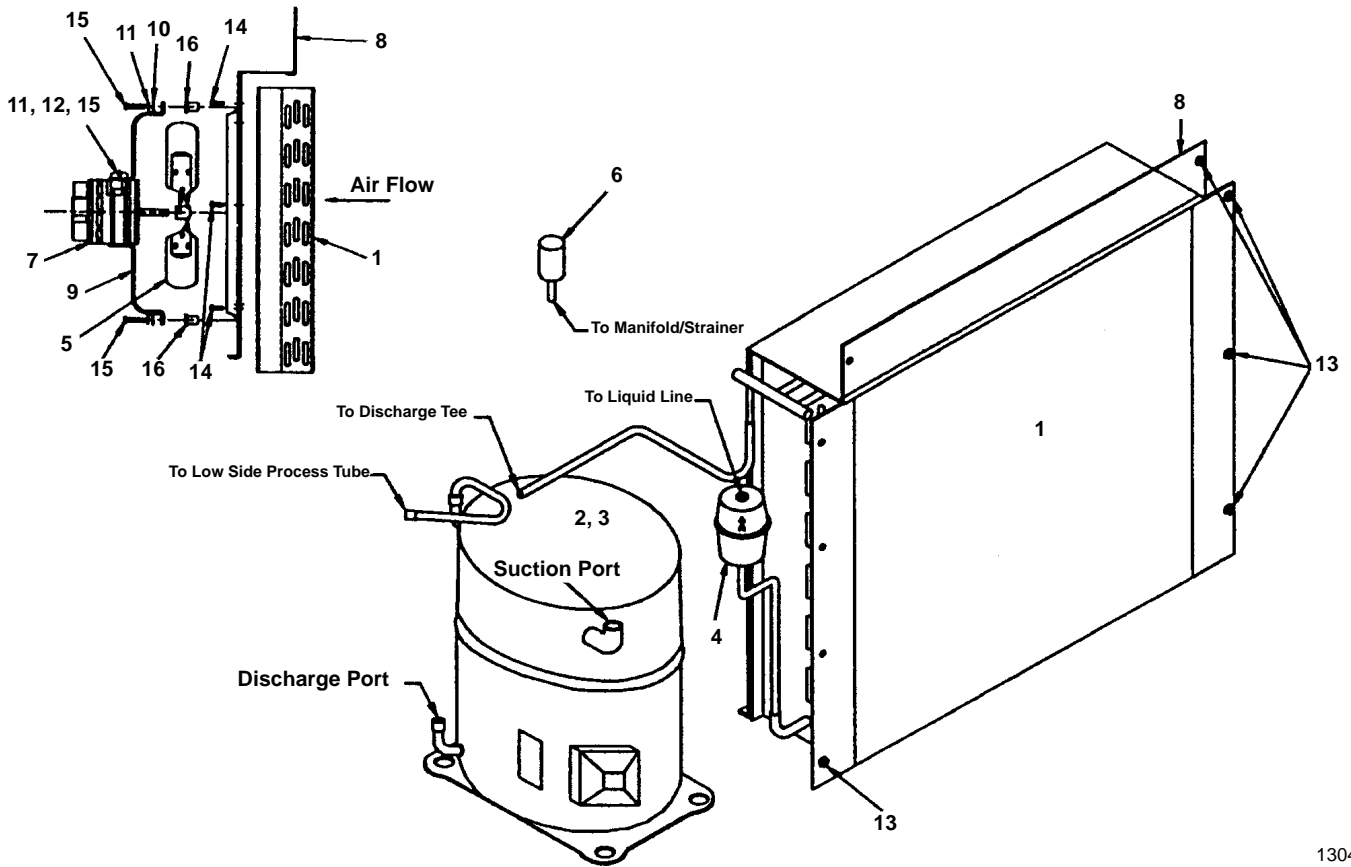
1303

### DESCRIPTION

	<b>PART NO.</b>
1 Adapter, Water Outlet . . . . .	1706021
2 Angle . . . . .	No Longer Available
3 Dump Valve, 208-230V . . . . .	000001768
4 Dump Valve Mounting Bracket . . . . .	6260314
5 Dump Valve Shield (Air only) . . . . .	† 7000623
6 Expansion Valve HP81 . . . . .	† 7625353
a. Expansion Valve R22 . . . . .	No Longer Available
7 High Pressure Cut-out HP81 . . . . .	† 2355369
High Pressure Cut-out R22 . . . . .	No Longer Available
8 LH Corner Post Weldment . . . . .	No Longer Available
9 Manifold/Strainer . . . . .	8310153
10 Neoprene Bulb Boot . . . . .	4007203
11 Neoprene TXV Boot . . . . .	4007213
12 NTC Thermistor . . . . .	2351163
13 RH Corner Post Weldment . . . . .	6000852
14 Solenoid Valve HP81 208-230V/50-60 Hz (Danfoss) . . . . .	† 7630111
a. Solenoid Valve R22 208-230V/50-60 Hz (Danfoss) . . . . .	† 7630111
15 Union, Water Inlet . . . . .	1360961
16 Vinyl Tube, 0.625 ID . . . . .	† 4420383
17 Vinyl Tube, 0.25 OD . . . . .	4420291
18 Water Pump Lead . . . . .	† 2078103
19 Tube, Copper Drain . . . . .	110481
20 Clamp, Plastic Hose . . . . .	† 5650709
21 Clamp, Worm Drive Hex Head . . . . .	† 5650529
22 Clamp, Worm Drive . . . . .	5650773
23 Female Wing Adapter . . . . .	† 8706093
24 Nut, Hex Locknut . . . . .	† 5475039
25 Nut Hex 0.375 . . . . .	† 5430029
26 Rubber Grommet . . . . .	† 8503069
27 Screw, #10-24 x 0.50 . . . . .	† 5202069
28 Sleeve . . . . .	† 8503949
29 Washer, Flat 0.312 . . . . .	† 5573099
30 Alco Coil Only . . . . .	† 2404483
31 Liquid Injector Valve - R22 Only (Not shown) . . . . .	No Longer Available

† Refer to Cross Reference Guide

# B0800 AIR-COOLED



1304

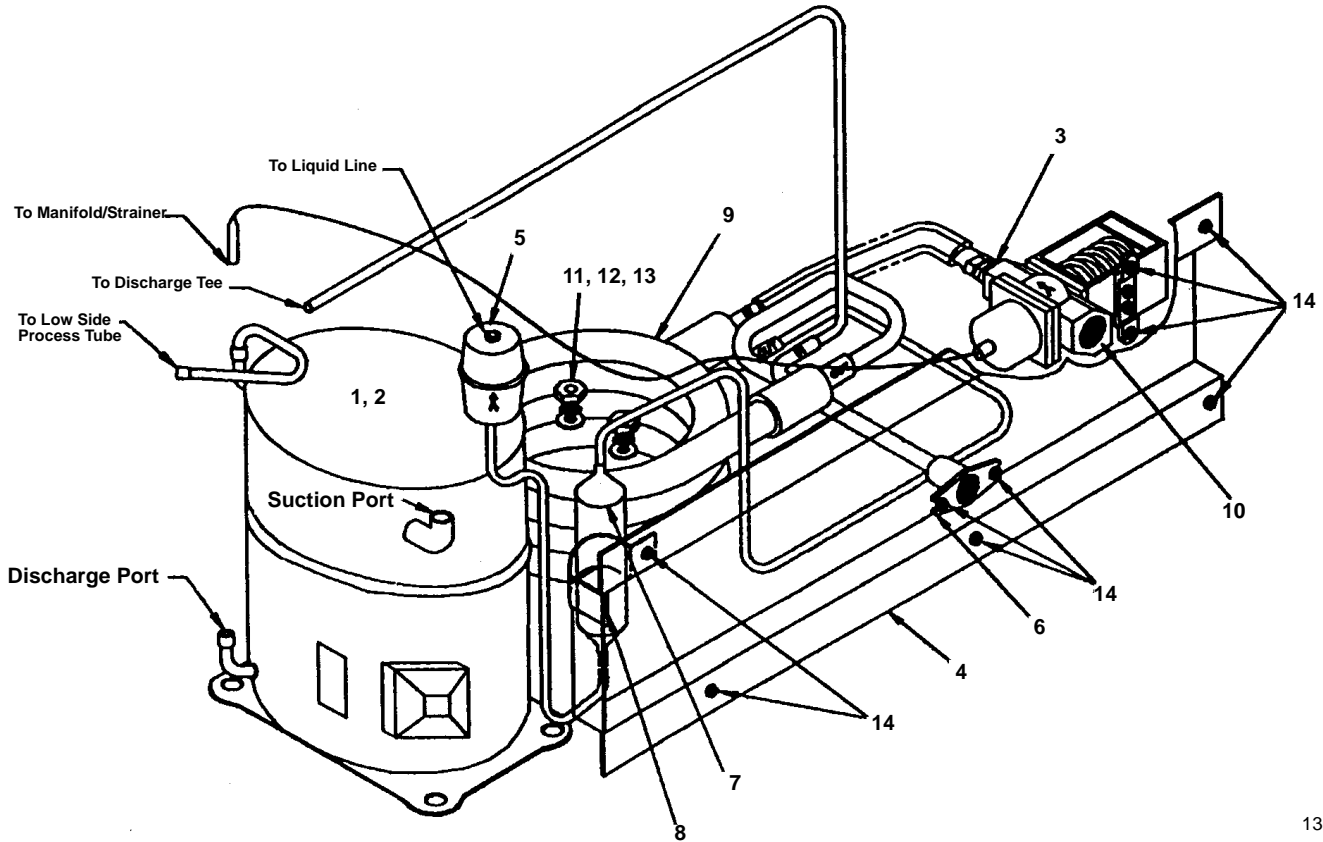
## DESCRIPTION

	<b>PART NO.</b>
1 Air Condenser .....	No Longer Available
2 Compressor Assembly, 208-230V 1 Ph*	† 7628153
3 Compressor Assembly, 208-230V 3 Ph .....	† 7628163
4 Drier .....	† 8930259
5 Fan Blade .....	2416123
6 Fan Cycling Control - HP81 .....	† 2001263
a. Fan Cycling Control - R22 .....	No Longer Available
7 Fan Motor .....	† 7626723
8 Fan Shroud .....	No Longer Available
9 Wire Motor Mount .....	3006843
10 Flatwasher 0.25 .....	† 5573059
11 Lockwasher 0.25 Split .....	† 5545109
12 Nut 0.25-20 .....	† 5429529
13 Screw, #10-24 x 0.50 .....	† 5202069
14 Screw, #10-24 x 0.625 .....	† 5202059
15 Screw, 1/4 x 1.75 .....	† 5033589
16 Well Nut 0.25-20 .....	† 5429559
17 Capacitor for Fan Motor .....	No Longer Available
18 Air Filter (Not shown) .....	4040043
19 Air Filter Bracket (Not shown) .....	† 7626863

\* See Page 9 for 50 Hz Applications

† Refer to Cross Reference Guide

# B0800 WATER-COOLED



1305

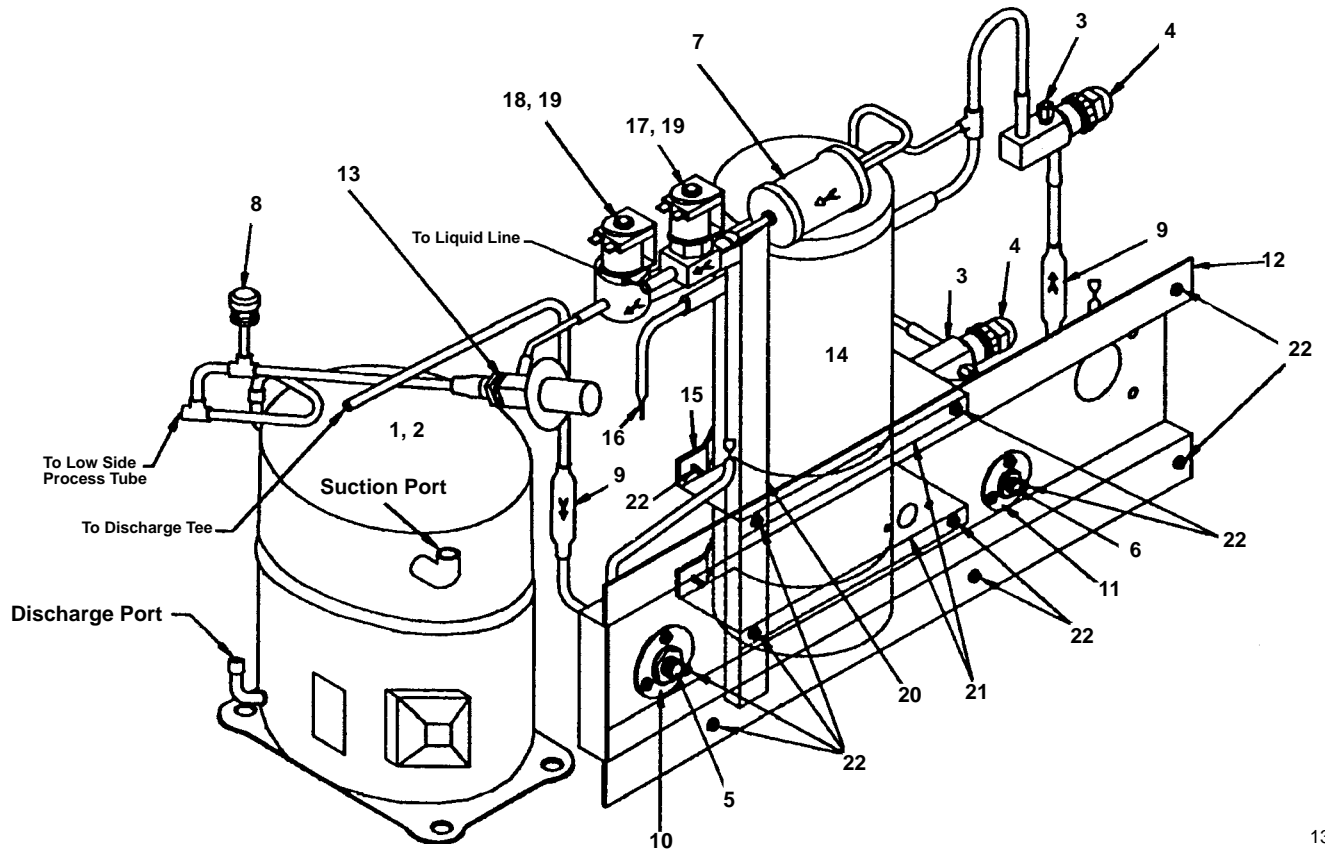
## DESCRIPTION

DESCRIPTION	PART NO.
1 Compressor, 208-230V, 60 Hz 1 Ph* . . . . .	† 7628153
2 Compressor, 3 Ph. . . . .	† 7628163
3 Coupling . . . . .	8332033
4 Coupling Mounting Panel . . . . .	No Longer Available
5 Drier . . . . .	† 8930259
6 Female Wing Adapter . . . . .	No Longer Available
7 Receiver . . . . .	000008893
8 Receiver Strap . . . . .	6000541
9 Water Condenser . . . . .	† 8865167
10 Water Regulating Valve . . . . .	8372063
11 Flatwasher 0.312 . . . . .	† 5573099
12 Lockwasher 0.38 Split. . . . .	† 5545149
13 Nut - 0.375 Hex. . . . .	† 5430029
14 Screw, #10-24 x 0.50 . . . . .	† 5202069

\*See Page 9 for 50 Hz Applications

† Refer to Cross Reference Guide

# B0800 REMOTE



1306

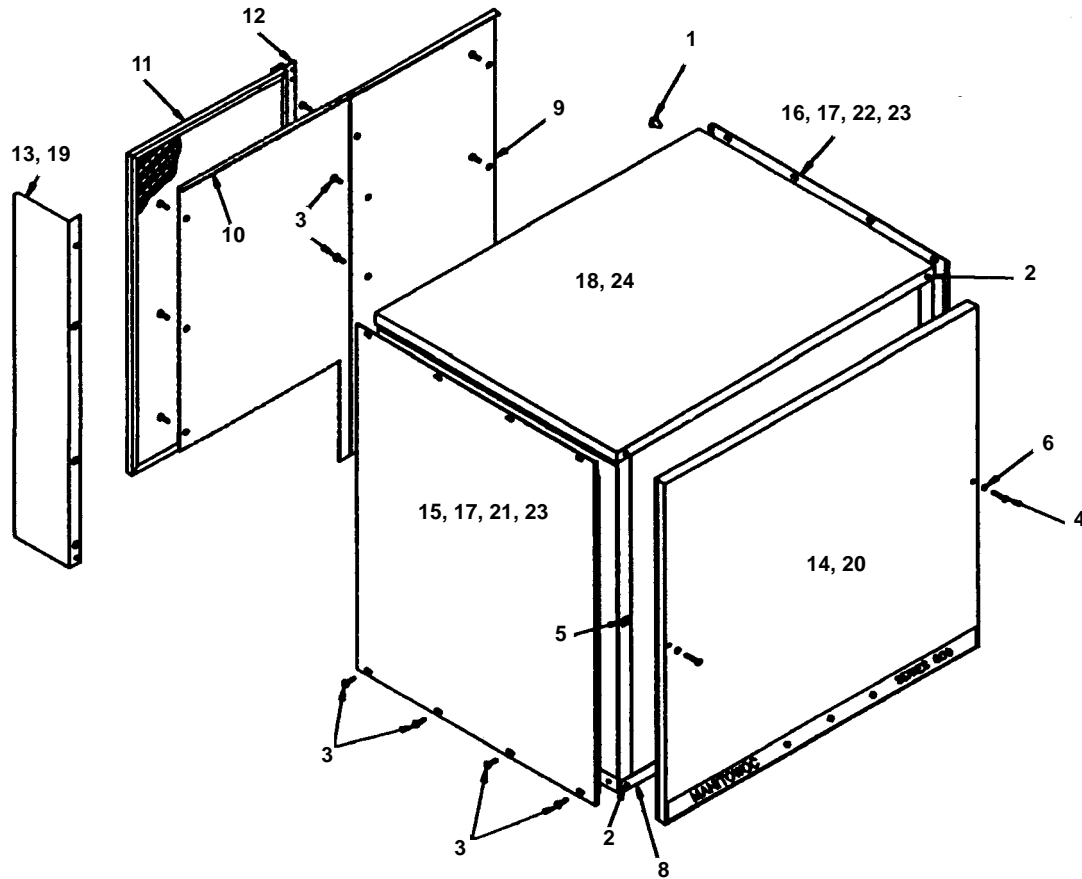
## DESCRIPTION

	<b>PART NO.</b>
1 Compressor, 208-230V, 60 Hz 1 Ph*	† 7628153
2 Compressor, 3 Ph	† 7628163
3 Brass Angle Valve	† 8373169
4 Brass Angle Valve, Cap Only	5650753
5 Coupling - Male 1-1/16 - 12	† 8360353
6 Coupling - Male 5/8 - 18	† 8360343
7 Drier	† 8930279
8 Low Pressure Cut-out	† 2355409
9 Magni-check Valve	8373143
10 Mounting Flange	8360063
11 Mounting Flange	8360053
12 Panel, Coupling Mounting	No Longer Available
13 Pressure Regulator Valve	† 8367793
14 Receiver	No Longer Available
15 Receiver Mounting Strap	6307214
16 Safety Soft Plug	No Longer Available
17 Solenoid Valve, 208-230V/50-60 Hz Liquid Line (Danfoss)	† 7630081
18 Solenoid Valve, HPR 208-230V/50-60 Hz (Danfoss)	† 7630061
19 Alco Coil Only	† 2404483
20 Bracket Weldment	No Longer Available
21 Mounting Bracket, Receiver	6000561
22 Screw, # 10-24 x 0.50	† 5202069

\* See Page 9 for 50 Hz Applications

† Refer to Cross Reference Guide

## B0800 PANELS



1307

### COMMON

	<b>PART NO.</b>
1 Canoe Clip Fastener . . . . .	No Longer Available
2 Screw, #10-24 x 0.50 Flat . . . . .	† 5202099
3 Screw, #10-24 x 0.50 Hex . . . . .	† 5202069
4 Screw, #8-32 x 1.25 . . . . .	† 5026689
5 Cage Nut 8-12 . . . . .	† 5429109
6 "0" Ring . . . . .	† 3718199
7 Extruded Tape (Not shown) . . . . .	† 9202509
8 Front Support . . . . .	† 6580419
9 Back Panel, Air . . . . .	No Longer Available
10 Back Panel, Remote/Water . . . . .	No Longer Available
11 Air Filter . . . . .	4040043
12 Filter Bracket . . . . .	† 7626863

### FAWN

13 Air Baffle . . . . .	No Longer Available
14 Front Panel Assembly . . . . .	No Longer Available
15 LH Side Panel, Air . . . . .	No Longer Available
16 RH Side Panel, Air . . . . .	No Longer Available
17 Side Panel, Water/Remote . . . . .	No Longer Available
18 Top Cover . . . . .	No Longer Available

### STAINLESS STEEL

19 Air Baffle . . . . .	No Longer Available
20 Front Panel Assembly . . . . .	No Longer Available
21 LH Side Panel, Air . . . . .	No Longer Available
22 RH Side Panel . . . . .	No Longer Available
23 Side Panel, Water/Remote . . . . .	No Longer Available
24 Top Cover . . . . .	No Longer Available

† Refer to Cross Reference Guide



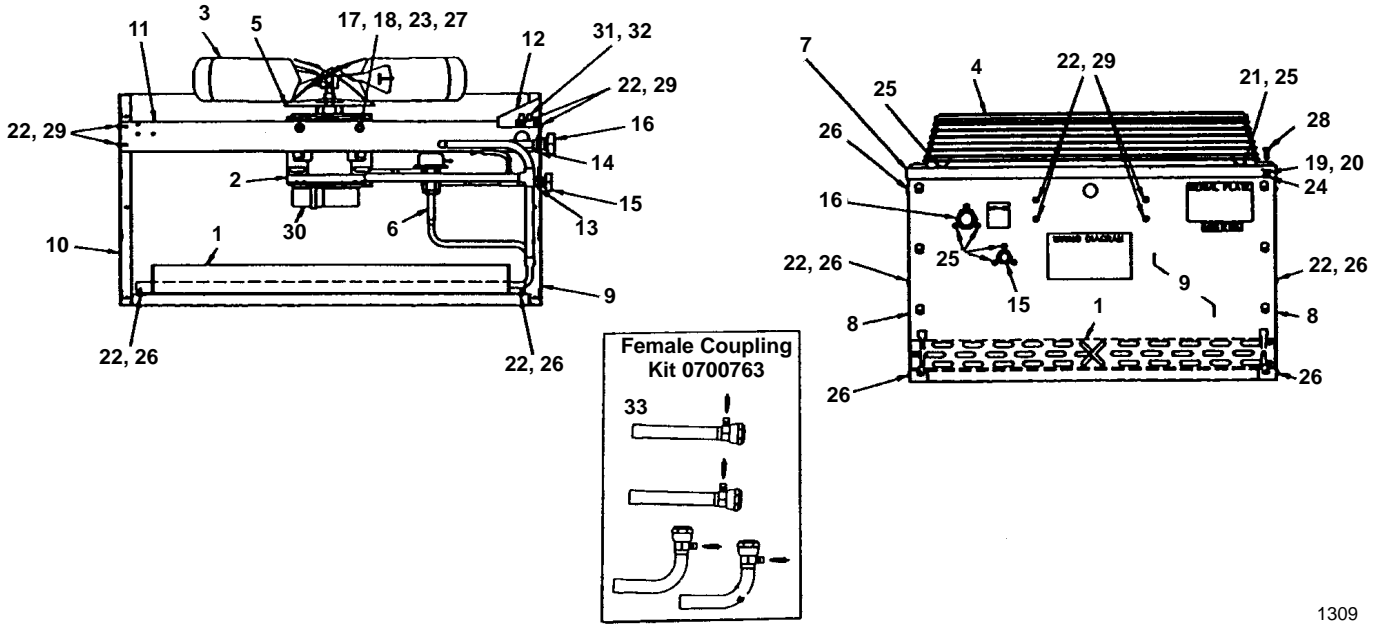
## B0800 ELECTRICAL APPLICATIONS

All parts are the same as the 60 Hz Model with the following exceptions:

### 230V/50/1

	<b>PART NO.</b>
Compressor 208-230/1 .....	† 7628173
Start Components for Bristol:	
Start Capacitor .....	8503703
Start Relay .....	No Longer Available
Run Capacitor .....	† 8503413
Start Components for Tecumseh:	
Start Capacitor .....	8503833
Start Relay .....	8505613
Run Capacitor .....	† 2010133
Water Pump .....	† 1480279
Terminal Block .....	No Longer Available
0.1 Amp Mini-fuse, On Control Board .....	2511053
7 Amp Fuse, On Control Board .....	2511003

# BC0895 REMOTE CONDENSER



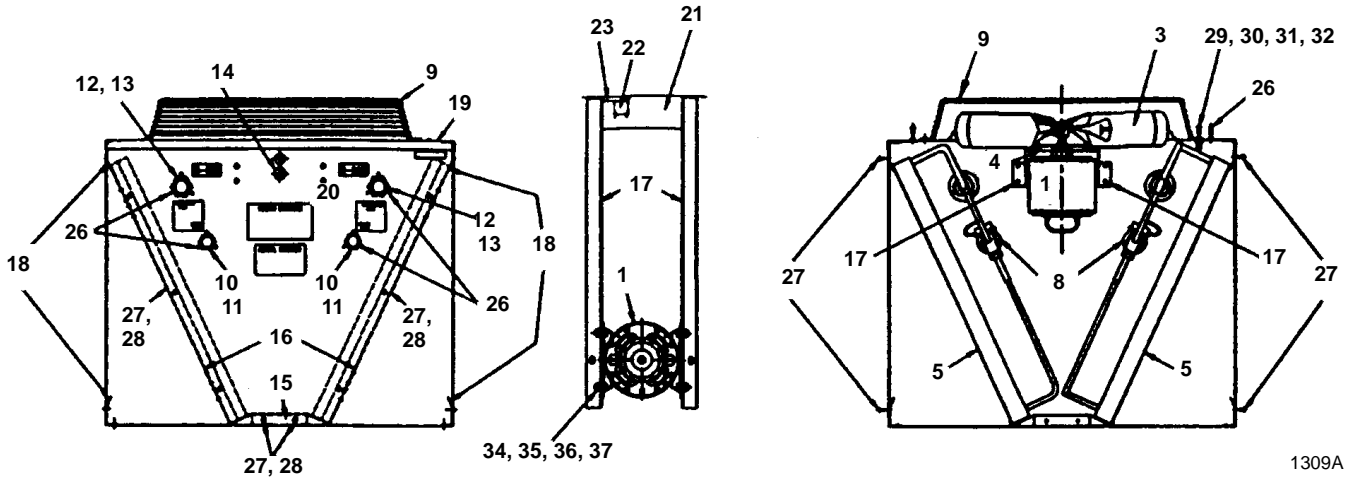
1309

## DESCRIPTION

DESCRIPTION	PART NO.
1 Air Condenser . . . . .	† 8850629
2 Fan Motor, 208-230V, 50-60 Hz . . . . .	† 7629413
3 Fan Blade . . . . .	2416113
4 Fan Guard . . . . .	3400643
5 Rain Slinger . . . . .	2415053
6 Head Pressure Control . . . . .	000004070
7 Top Cover . . . . .	† 6017751
8 Panel, Side . . . . .	† 6017741
9 Panel, Rear . . . . .	† 6017731
10 Panel, Front . . . . .	† 6017721
11 Base Bracket . . . . .	† 6017681
12 Electrical Cover . . . . .	† 6017761
13 Mounting Flange 0.25 x 0.38 . . . . .	8360053
14 Mounting Flange 0.50 x 0.88 . . . . .	8360063
15 Coupling, Male 0.63-18 . . . . .	† 8360343
16 Coupling, Male 1.06-12 . . . . .	† 8360353
17 Lockwasher 0.31 Split . . . . .	† 5573139
18 Washer - Flat 0.31 ID . . . . .	† 5573099
19 Washer - Flat 0.25 Stainless . . . . .	† 5573049
20 Lockwasher 0.25 Split Stainless . . . . .	† 5545119
21 Lockwasher #10 Int. Phos . . . . .	† 5544649
22 Lockwasher #8 Int. Phos . . . . .	† 5544599
23 Nut 0.31-18 Steel Hex . . . . .	5429759
24 Nut 0.25-20 Steel Hex . . . . .	† 5429529
25 Screw #10-24 x 0.62 . . . . .	† 5202059
26 Screw #8 x 0.5 . . . . .	† 5121539
27 Screw 0.31-18 x 0.62 . . . . .	† 5035659
28 Screw 0.25-2 x 0.62 . . . . .	† 5033459
29 Screw #8-32 x 0.50 . . . . .	† 5026249
30 Fan Capacitor (Emerson) . . . . .	8504583
30 Fan Capacitor (Magnatec) . . . . .	No Longer Available
31 Terminal Block . . . . .	7628783
32 Terminal Block Mounting Bracket . . . . .	6008681
33 Female Coupling Kit . . . . .	SALES K0129
34 Mounting Legs . . . . .	† 6017691

† Refer to Cross Reference Guide

# DC0885 REMOTE CONDENSER



1309A

1	Fan Motor, 115V, 60 Hz	† 7629423
2	Capacitor For Fan Motor	No Longer Available
3	Fan Blade	2416113
4	Rain Slinger	2415053
5	Air Condenser (Uses 2)	† 8850629
6	Back Panel (Not shown)	† 6017881
7	Legs (Not shown)	† 6017691
8	Headmaster Control HP81	000004070
9	Fan Guard	3400643
10	Male Coupling 5/8 - 18 THR.	† 8360343
11	Coupling Flange For 8360343	8360053
12	Male Coupling 1-1/16 - 12 THR	† 8360353
13	Coupling Flange For 8360353	8360063
14	Hole Plug For 7/8" hole	4301463
15	Base	6017791
16	Condenser Mounting Angle	6017771
17	Fan Mounting Bracket Also Used As Base Bracket	† 6017681
18	Support Bracket	† 6017781
19	Top Cover	6017891
20	Front Panel	† 6017871
21	Electrical Box Cover	† 6017761
22	Relay	No Longer Available
23	Relay Mounting Bracket	No Longer Available
24	Transformer (Not shown)	No Longer Available
25	Electrical Junction Box (Not shown)	2515013
26	Screw, #10 - 24 x 0.62	† 5202069
27	Screw, #8 x 0.50	† 5121539
28	Lockwasher, #8	† 5544599
29	Screw, 0.25 x 0.62	† 5033459
30	Lockwasher 0.25 Split SS	† 5545119
31	Washer, Flat 0.25 SS	† 5573049
32	Nut 0.25 - 20 Steel Hex	† 5429529
33	Lockwasher #10	† 5544649
34	Screw, 0.31 - 18 x 0.62 Hex Head	† 5035659
35	Nut 0.31 - 18 Steel Hex Head	5429759
36	Washer, flat 0.31 ID	† 5573099
37	Lockwasher, 0.31 Split Zinc	† 5573139
38	Line Set Female Coupling 1-1/16 - 12, 90 degree	† 8360263
39	Line Set Female Coupling Straight 1-1/16 - 12	8360273
40	Line Set Female Coupling 5/8 - 18, 90 degree	8360473
41	Line Set Female Coupling Straight 5/8 - 18	8360483
42	Access Fitting Core For Couplings	7626843

**NOTE:** Items 22, 23, 24 and 25 are used only when the optional K00095 Relay/Transformer Kit has been installed.

† Refer to Cross Reference Guide

**INTENTIONALLY LEFT BLANK**

