



Manitowoc
Foodservice
Parts Manual

For more Parts Information:

<https://manitowocfsg.sysonline.com/Default.aspx>

TABLE OF CONTENTS

Manitowoc Foodservice [Updated: Sep. 30, 2013]

Manitowoc - Ice & Related

Parts Catalog

Ice Machine

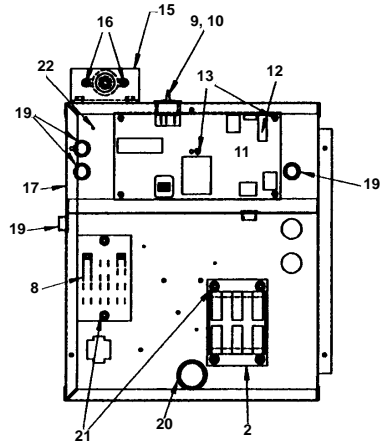
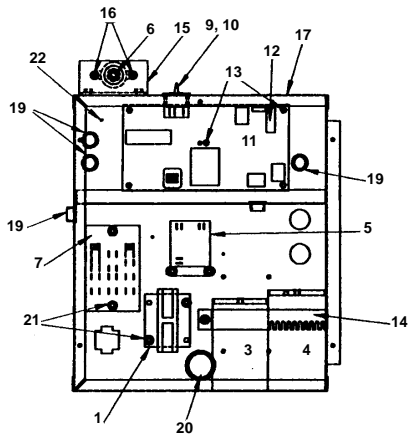
B Series

B1300, BC1395

B1300 - Control Box Components	1
B1300 - Evaporator Compartment - Common Components	3
B1300 - Refrigeration Compartment - Common Components	6
B1300 - Refrigeration Compartment - Air-cooled Components	8
B1300 - Refrigeration Compartment - Water-cooled Components	10
B1300 - Refrigeration Compartment - Remote Components	12
B1300 - Panels	14
B1300 - Electrical Applications	16
BC1395 Remote Condenser Components	18

B1300, BC1395

B1300 - CONTROL BOX COMPONENTS



B1300, BC1395

B1300 - CONTROL BOX COMPONENTS

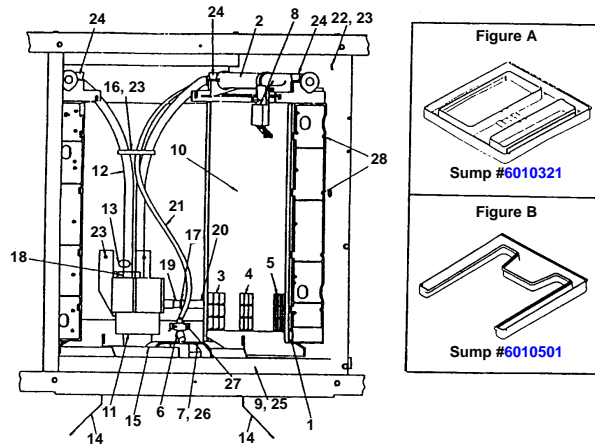
#	PART #	DESCRIPTION	QTY	Note
1		Contactator for 1 Phase Units		[1]
2	2006619	Contactator - 230V/60 Hz/3 Ph		
3	2010133	Run Capacitor - 115-230V/50-60 Hz/1 Ph		
3	000001395	Run Capacitor - 208-230V/50-60 Hz/1 Ph		
4	8503853	Start Capacitor - 50-60 Hz/1 Ph		
4	8505513	Start Capacitor - 50-60 Hz/1 Ph		
5		Start Relay For Bristol		[1]
5	2007519	Start Potential Relay - 60 Hz		
6	2355369	High Pressure Cut-out Control		
7		Terminal Board With Harness, 1 Ph		[1]
8	2031413	Terminal Board with Wiring Harness		[2]
9	2301343	Toggle Switch Only		
10	2031059	Toggle Switch With Wiring Harness Attached		
11	7628003	Control Board		[3]
12	2511003	7 Amp Fuse - Mounted on Control Board		
12a	2511169	0.125 Amp 60 Hz Mini Fuse		[4]
13	4302253	Control Board Mounting Supports		
14		Capacitor Bracket		[1]
15		Mounting Bracket for High Pressure Control		[1]
16	5121669	Screw - #8-32 x 0.50"		
17		Control Box		[1]
18		Control Box Cover With Labels		[1]
19	2502189	Bushing - 0.625"		
20	2500019	Bushing - 1.187"		
21	5202069	Screw - #10-24 x 0.50" HEX		
22	5202169	Screw - #10-24 x 0.50" Ground		

PART NOTES:

- [1] - No Longer Available
- [2] - Discontinued
- [3] - (For use with all voltages)
- [4] - See Page 9 for 50 Hz Applications

B1300, BC1395

B1300 - EVAPORATOR COMPARTMENT - COMMON COMPONENTS



B1300, BC1395

B1300 - EVAPORATOR COMPARTMENT - COMMON COMPONENTS

#	PART #	DESCRIPTION	QTY	Note
1	2301483	Magnetic Bin Switch		
2	7624983	Water Distribution Tube - B/J/Q		
3	7624739	Evaporator - Regular Cube		
4	7624729	Evaporator - Dice Cube		
5	7624719	Evaporator - Half Dice Cube		
6	8369133	Float Valve		
7		Float Valve Bracket Used With Figure A Sump Trough		[1]
7a	7621403	Bracket		
8	7627813	Ice Thickness Control Probe		
9	6010321	Sump Trough		[2]
9a	6010501	Sump Trough		[3]
10	4008513	Water Curtain		
10a	7627763	Water Curtain Pin Assembly		
10b	7628023	Water Curtain Magnet and Cap		
11	7626013	Water Pump - 230V/50-60 Hz		[4]
12	4420913	Water Pump Discharge Tube		
13	2077743	Water Pump Lead		[5]
14		Ice Baffle		[1]
15		Ice Baffle Support Used With Figure A Sump Trough		[1]
		Ice Baffle Support Used With Figure B Sump Trough		[1]
16		Loop Clamp 2.00" Diameter		[1]
17	5650709	Snap Clamp - 0.799"/0.899" ID		
18	5650539	Snap Clamp - 1.123 x 1.296		
19	8390053	Union Connector		
19a	8390123	90 Degree Barbed Fitting		
20	4420383	Clear Tubing - 0.625" ID		
21	4420291	Vinyl Tube - 0.25" OD		
22	5650693	Nylon Spring Clip		
23	5202069	Screw - #10-24 x 0.50" HEX		
24	5000013	Thumbscrew - #8-32 x 0.375"		
25	5012279	Thumbscrew - Push-in		[6]
26		Shield, Mylar Splash for Float		[1]
27	5650729	Compression Nut		
28	5202189	Screw - #10-24 x 0.75"		
29		Water Curtain Stop		[1]
30		Splash Shield		[1]
31	7626213	Evaporator Top Molding and Gasket Assembly		[7]

PART NOTES:

- [1] - No Longer Available
- [2] - (Up to SN 950460000, See Figure A)
Discontinued
- [3] - (After SN 950460000, See Figure B)
- [4] - See Page 9 for 50 Hz Applications

B1300, BC1395

B1300 - EVAPORATOR COMPARTMENT - COMMON COMPONENTS

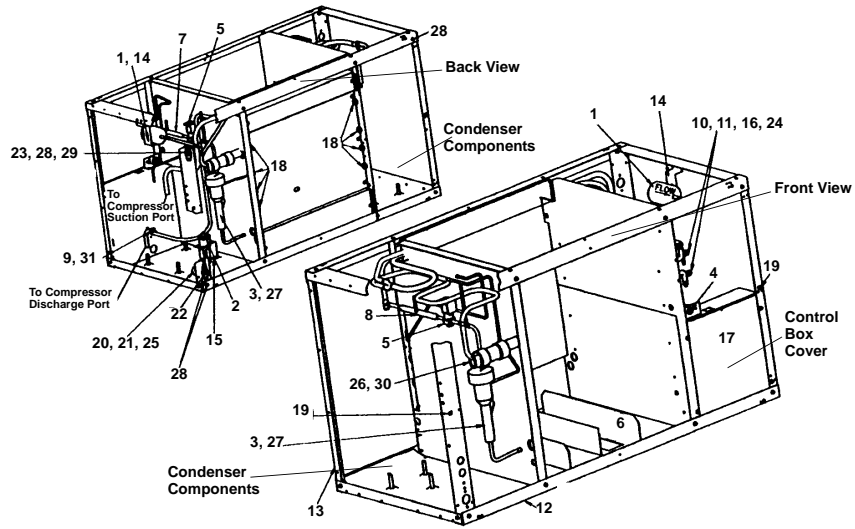
#	PART #	DESCRIPTION	QTY	Note
---	--------	-------------	-----	------

PART NOTES:

- [5] - Discontinued
- [6] - (Mounting Sump Trough)
- [7] - (Not shown)

B1300, BC1395

B1300 - REFRIGERATION COMPARTMENT - COMMON COMPONENTS



B1300, BC1395

B1300 - REFRIGERATION COMPARTMENT - COMMON COMPONENTS

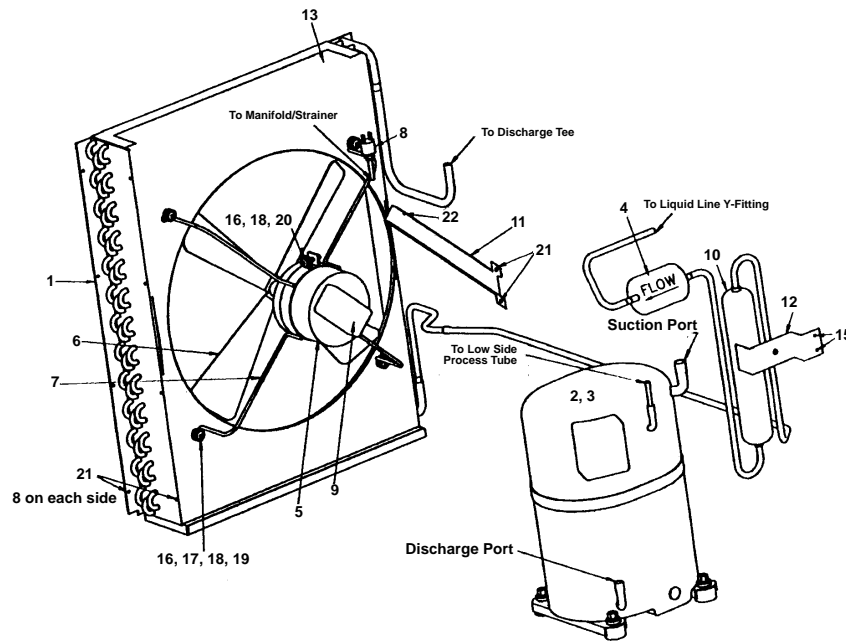
#	PART #	DESCRIPTION	QTY	Note
1	8930279	Drier		
2	000001768	Water Dump Valve - 208-230V/50-60 Hz		
3	7625663	Expansion Valve		
4	2355369	High Pressure Cut-out Control		
5	7630101	Solenoid Valve with Coil - 230V/50-60 Hz		[1]
6		Ice Baffle Support Used With 6010321		[2]
		Ice Baffle Support Used With 6010501		[2]
7		Manifold Strainer		[3]
8		Manifold Strainer		[4]
9	2351163	Thermistor		
10	8373109	Process Valve		
11		Stem Assembly		[2]
12		Angle, Top & Bottom, Fawn		[2]
13		Cornerpost Weldment		[2]
14		Bracket, Drier		[2]
15		Bracket, Dump Valve		[2]
16		Bracket, Service Valve		[2]
17		Control Box Cover		[2]
18	2501409	Bushing - 0.875"		
19	5429109	Cage Nut to Mount Front Panel		
20	5650709	Snap Clamp - 0.799"/0.899" ID		
21		Copper Elbow 5/8 x 5/8		[2]
22	1706021	Water Adapter, 1/2" NPT		
23	8706093	Female Wing Adapter - 0.375"		
24	5475039	Locknut - 0.375" - 18 NPS		
25		Molded Vinyl White Tube		[2]
26	4007203	Valve Insulation Boot - Bulb		[5]
27	4007213	Valve Insulation Boot - Body		
28	5202069	Screw - #10-24 x 0.50" HEX		
29	1360961	Male Connector		
30	5650529	Clamp - Expansion Valve Bulb		
31	5650843	Clamp, Thermistor		

PART NOTES:

- [1] - (Danfoss)
- [2] - No Longer Available
- [3] - No Longer Available(Compressor Side)
- [4] - No Longer Available(Condenser Side)
- [5] - \pages from 400720_08.jpg" width=923 height=583>

B1300, BC1395

B1300 - REFRIGERATION COMPARTMENT - AIR-COOLED COMPONENTS



B1300, BC1395

B1300 - REFRIGERATION COMPARTMENT - AIR-COOLED COMPONENTS

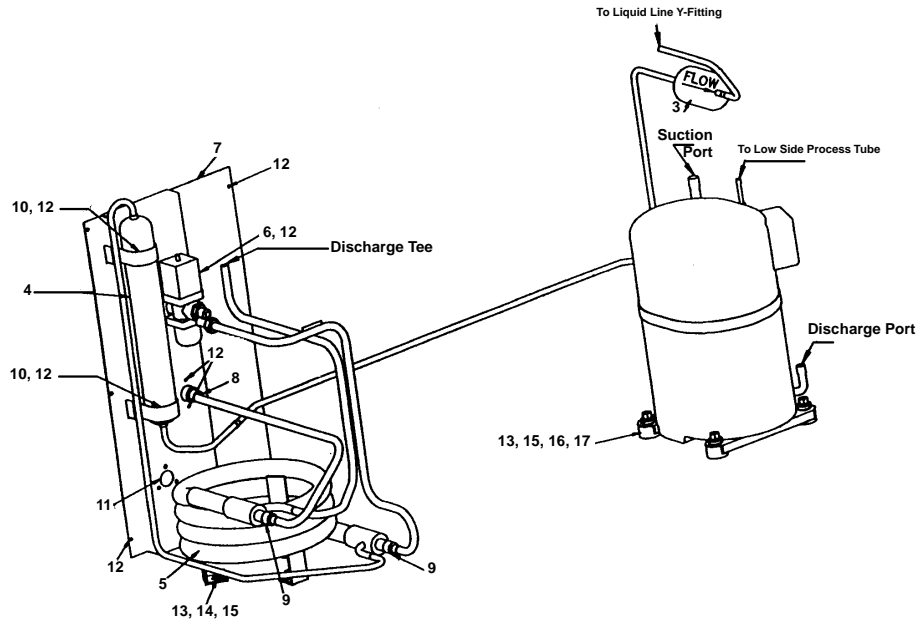
#	PART #	DESCRIPTION	QTY	Note
1		Air Condenser		[1]
2	7603283	Compressor - Copeland - 208-230V/60 Hz/1 Ph		[2]
3	7603293	Compressor - Copeland - 208-230V/60 Hz/3 Ph		[2]
4	8930279	Drier		
5	7626733	Fan Motor - 208-230V/50-60 Hz		
6	2416113	Fan Blade		
7	3006823	Fan Motor Mounting Bracket		
8	2001263	Fan Cycling Control - 200-250 psig		[3]
9	8504583	Fan Motor Run Capacitor		
10		Receiver		[1]
11		Channel, Wire Cover		[1]
12		Bracket		[1]
13		Fan Shroud		[1]
14	4040073	Air Filter		[4]
15	5202099	Screw - #10-24 x 0.50" PHIL		
16	5033589	Mounting - Screw		
17	5429559	Mounting - Rubber Wellnut		
18	5545109	Lockwasher		
19	5573059	Mounting - Flatwasher		
20	5429529	Mounting - Hexnut		
21	5202069	Screw - #10-24 x 0.50" HEX		
22	5602169	Screw, #10-24 x 0.50		[2]

PART NOTES:

- [1] - No Longer Available
- [2] - See Page 9 for 50 Hz Applications
- [3] - \pages from 200126_09.jpg" width=150 height=306>
- [4] - (Not shown)

B1300, BC1395

B1300 - REFRIGERATION COMPARTMENT - WATER-COOLED COMPONENTS



B1300, BC1395

B1300 - REFRIGERATION COMPARTMENT - WATER-COOLED COMPONENTS

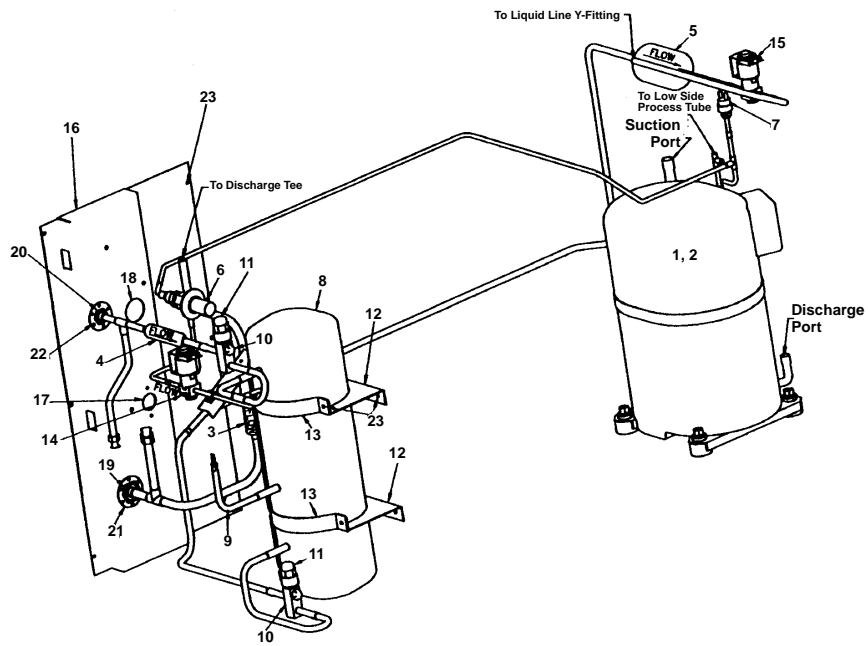
#	PART #	DESCRIPTION	QTY	Note
1	7603283	Compressor - Copeland - 208-230V/60 Hz/1 Ph		[1]
2	7603293	Compressor - Copeland - 208-230V/60 Hz/3 Ph		[1]
3	8930279	Drier		
4	000008894	Receiver		
5	000001508	Water-Cooled Condenser		
6	8372123	Water Regulating Valve		
7		Panel - Remote & Water Couplings		[2]
8		Female Wing Adapter - Condenser Drain		[2]
9		Reducing Coupling 0.75 x 0.50		[2]
10	6000541	Receiver Strap		
11	4301923	Hole Plug for 1.0625" Hole		
12	5202069	Screw - #10-24 x 0.50" HEX		
13	5430029	Nut		[3]
14	5545149	Lockwasher		
15	5573099	Mounting - Flatwasher		
16	8503069	Mounting - Rubber Grommet		
17	8503949	Mounting - Sleeve		

PART NOTES:

- [1] - See Page 9 for 50 Hz Applications
- [2] - No Longer Available
- [3] - Discontinued

B1300, BC1395

B1300 - REFRIGERATION COMPARTMENT - REMOTE COMPONENTS



B1300, BC1395

B1300 - REFRIGERATION COMPARTMENT - REMOTE COMPONENTS

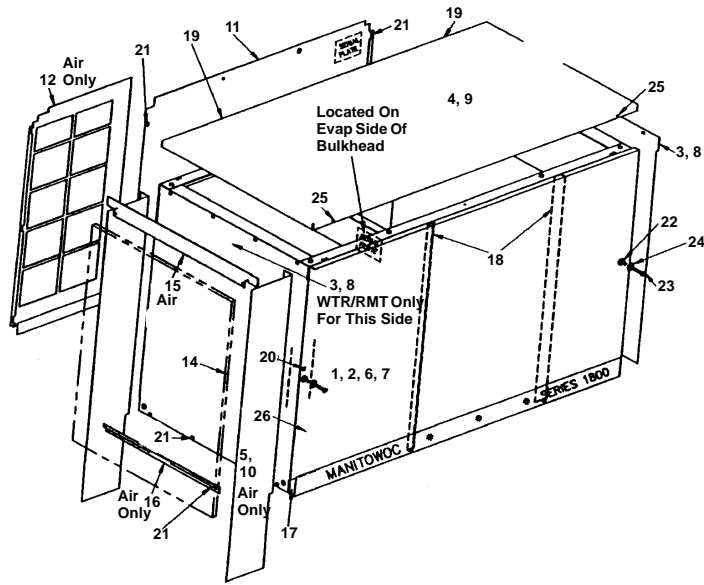
#	PART #	DESCRIPTION	QTY	Note
1	7603283	Compressor - Copeland - 208-230V/60 Hz/1 Ph		[1]
2	7603293	Compressor - Copeland - 208-230V/60 Hz/3 Ph		[1]
3	8373159	Magni-Check Valve - 0.5"		
4	8373149	Magni-Check Valve - 0.375"		
5	8930279	Drier		
6	8367793	Harvest Pressure Regulating Valve		
7	2355409	Low Pressure Cut-out		[2]
8	7629583	Receiver		
9		Receiver Safety Soft Plug		[3]
10	8373169	Receiver Service Valve		
11	5650753	Caps for Refrigeration Service Valve		
12	6000561	Receiver Mounting Bracket		
13	6307214	Receiver Mounting Strap		
14	7630061	Solenoid Valve with Coil - 208-230V/50-60 Hz		[4]
15	7630101	Solenoid Valve with Coil - 230V/50-60 Hz		
16		Panel, Remote Coupling		[3]
17	4301923	Hole Plug for 1.0625" Hole		
18		Hole Plug 1.50"		[3]
19	8360353	Coupling - Male - 1-1/6-12		
20	8360343	Coupling - Male - 5/8-18		
21	8360063	Coupling Mounting Flange for 1-1/16-12		
22	8360053	Coupling Mounting Flange for 5/8-18		
23	5202069	Screw - #10-24 x 0.50" HEX		
24	K0129	Female Line Set Coupling Kit		[5]

PART NOTES:

- [1] - See Page 9 for 50 Hz Applications
- [2] - Discontinued
- [3] - No Longer Available
- [4] - (Danfoss)
- [5] - SALES(On line set)

B1300, BC1395

B1300 - PANELS



B1300, BC1395

B1300 - PANELS

#	PART #	DESCRIPTION	QTY	Note
		FAWN		
1		Front Panel Assembly With Air Louvers		[1]
2		Front Panel Assembly, Water and Remote		[1]
3		Side Panels, RH or LH		[1]
4		Top Cover		[1]
5		Air Baffle		[1]
		STAINLESS STEEL		
6		Front Panel Assembly With Air Louvers		[1]
7		Front Panel Assembly, Water or Remote		[1]
8		Side Panel, LH or RH		[1]
9		Top Cover		[1]
10		Air Baffle		[1]
		COMMON PARTS		
11		Back Panel, Evaporator Side		[1]
12		Back Panel, Air-cooled, Condenser Side		[1]
13		Back Panel, Water and Remote		[1]
14	4040073	Air Filter		
15	7626863	Air Filter Bracket Kit		
16	7626863	Air Filter Bracket Kit		
17		Top and Bottom Frame Angle		[1]
18		Angle, Front Panel		[1]
19		Accordion Panel Clip		[1]
20	5429109	Cage Nut to Mount Front Panel		
21	5202069	Screw - #10-24 x 0.50" HEX		
22	3718199	O-ring		
23	5026689	Screw - 8-32 x 1.50"		
24	5573389	Washer - Nylon 0.171" x 0.38"		
25	5202099	Screw - #10-24 x 0.50" PHIL		
26	9202509	Extruded Tape		

PART NOTES:

[1] - No Longer Available

B1300, BC1395

B1300 - ELECTRICAL APPLICATIONS

B1300 ELECTRICAL APPLICATIONS

All parts are the same as the 60 Hz Model with the following exceptions:

	PART NO.
230V/50 Hz/1 Phase	
Compressor	† 7603303
Start Components for Bristol:	
Run Capacitor	† 2010133
Start Capacitor	† 8503853
Start Relay	No Longer Available
Start Components for Tecumseh:	
Run Capacitor	† 00000028
Start Capacitor	8505513
Start Relay	2007529
Start Components for Copeland:	
Run Capacitor	00000025
Start Capacitor	8505133
Start Relay	2007533
Water Pump	† 1480279
7 Amp Fuse For Control Board	2511003
0.1 Amp Mini-fuse For Control Board	2511053
Terminal Block	No Longer Available
Terminal Board With Wiring Harness	No Longer Available
415V/50 Hz/3 Phase	
Compressor	No Longer Available
Water Pump	† 1480279
7 Amp Fuse For Control Board	2511003
0.1 Amp Mini-fuse For Control Board	2511053
Terminal Block	No Longer Available
Terminal Board With Wiring Harness	2031643

† Refer to Cross Reference Guide

B1300 – 9

Updated: 5/11

B1300, BC1395

B1300 - ELECTRICAL APPLICATIONS

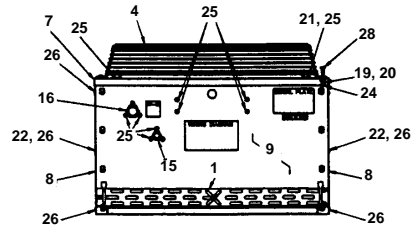
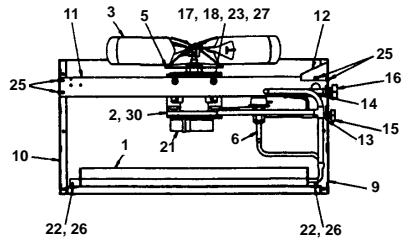
#	PART #	DESCRIPTION	QTY	Note
		All parts are the same as the 60 Hz Model with the following exceptions:		
		230V/50 Hz/1 Phase		
	7603303	Compressor - Copeland - 230V/50 Hz/1 Ph		
		Start Components for Bristol:		
	2010133	Run Capacitor - 115-230V/50-60 Hz/1 Ph		
	8503853	Start Capacitor - 50-60 Hz/1 Ph		
		Start Relay		[1]
		Start Components for Tecumseh:		
	00000028	Run Capacitor - 208-230V/50-60 Hz/1 Ph		
	8505513	Start Capacitor - 50-60 Hz/1 Ph		
	2007529	Start Potential Relay - 50 Hz		
		Start Components for Copeland:		
	00000025	Run Capacitor 208-230V/50-60 Hz/1 Ph		
	8505133	Start Capacitor - 230V/50-60 Hz/1 Ph		
	2007533	Start Potential Relay - 230V/50-60 Hz/1 Ph		
	1480279	Water Pump - 208-230V/50-60 Hz		
	2511003	7 Amp Fuse - Mounted on Control Board		
	2511053	0.100 Amp 50 Hz Mini Fuse		[2]
		Terminal Block		[1]
		Terminal Board With Wiring Harness		[1]
		415V/50 Hz/3 Phase		
		Compressor		[1]
	1480279	Water Pump - 208-230V/50-60 Hz		
	2511003	7 Amp Fuse - Mounted on Control Board		
	2511053	0.100 Amp 50 Hz Mini Fuse		[2]
		Terminal Block		[1]
	2031643	Terminal Board With Wiring Harness		

PART NOTES:

- [1] - No Longer Available
- [2] - Discontinued

B1300, BC1395

BC1395 REMOTE CONDENSER COMPONENTS



B1300, BC1395

BC1395 REMOTE CONDENSER COMPONENTS

#	PART #	DESCRIPTION	QTY	Note
1	8850903	Air Condenser		
2	7629413	Fan Motor - 208-230V/50-60 Hz/1 Ph		
3	2416113	Fan Blade		
4	3400643	Fan Guard		
5	2415053	Rain Slinger		
6	000004070	Head Pressure Control Valve		
7		Top Cover		[1]
8	6017901	Panel - Side Before Serial Number 110529484		
9	6017911	Panel - Rear Before Serial Number 110529484		
10	6017921	Panel - Front Before Serial Number 110529484		
11	6017681	Fan Motor Mounting Bracket		
12	6017761	Electrical Box Cover		
13	8360053	Coupling Mounting Flange for 5/8-18		
14	8360063	Coupling Mounting Flange for 1-1/16-12		
15	8360343	Coupling - Male - 5/8-18		
16	8360353	Coupling - Male - 1-1/6-12		
17	5573139	Mounting - Lockwasher		
18	5573099	Mounting - Flatwasher		
19	5573049	Flatwasher		
20	5545119	Mounting - Lockwasher		
21	5544649	#10 Split Lockwasher		
22	5544599	Panel/Condenser Mounting Lockwasher		
23	5429759	Mounting - Hexnut		
24	5429529	Mounting - Hexnut		
25	5202059	Screw		
26	5121539	Panel/Condenser Mounting Screw - #8 x 0.50"		
27	5035659	Fan Motor Mounting Screw		
28	5033459	Screw - 1/4-20 x 0.625"		
29	5026249	Mounting Screw - #8-32 x 0.50" PHIL		
30	8504583	Fan Motor Run Capacitor		[2]
30		Fan Capacitor		[3]
31	7628783	Terminal Bock		
32	6008681	Terminal Block Mounting Bracket		
33	K0129	Female Line Set Coupling Kit		[4]
		50 Hz APPLICATION		
34	7629413	Fan Motor - 208-230V/50-60 Hz/1 Ph		

PART NOTES:

- [1] - No Longer Available
- [2] - (Emerson)
- [3] - No Longer Available(Magnatec)
- [4] - SALES