



## **Ice Machine Parts List for Series EC050 Models**

**ECG050A**

**ECS050A**

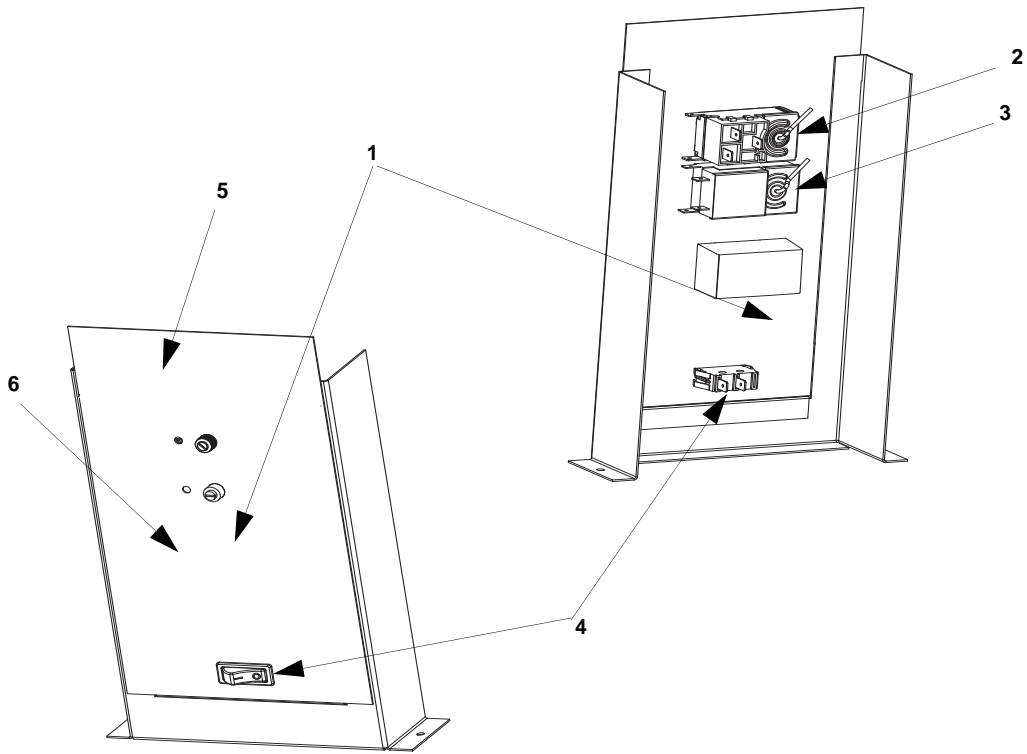
**ECM050A**

**ECG050W**

**ECS050W**

**ECM050W**

# EC50 CONTROL BOX



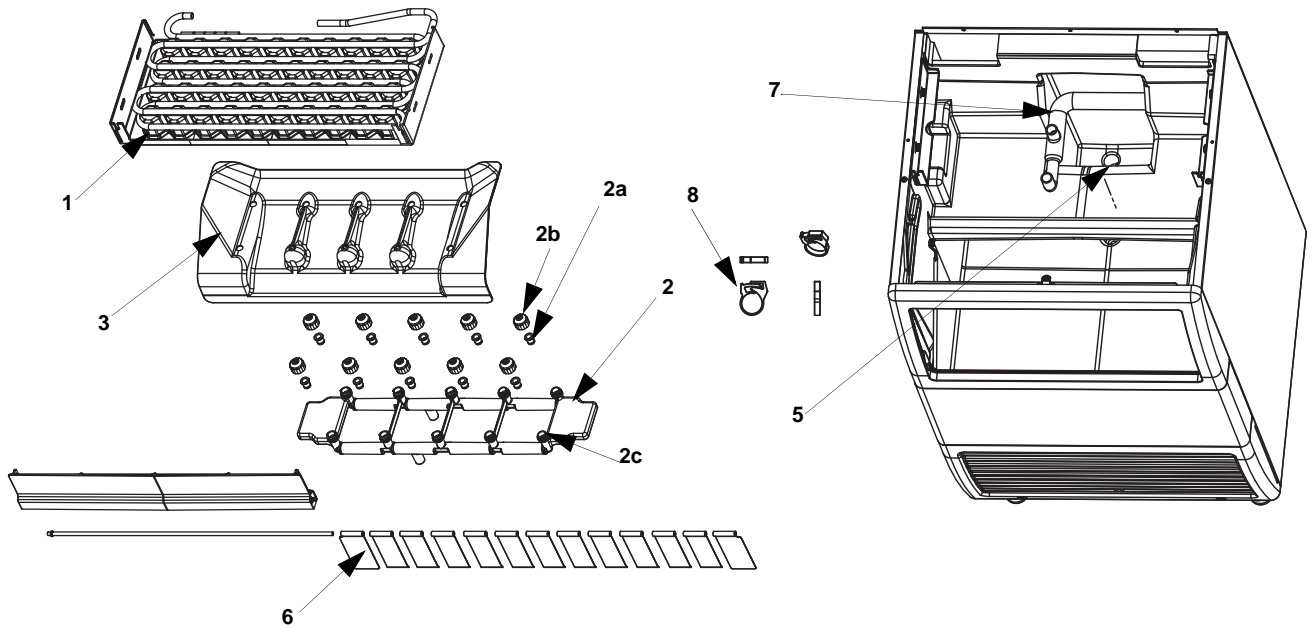
## DESCRIPTION

	<b>DESCRIPTION</b>	<b>PART NO.</b>
1	Mechanical Timer(Up to SN 061252906) . . . . .	20-0664-9
	SCR Timer(After SN 061252906) . . . . .	040000879
2	Evaporator Thermostat . . . . .	20-0883-3
3	Bin Thermostat . . . . .	20-0914-9
4	Toggle Switch . . . . .	20-0670-9
5	Control Box Cover . . . . .	605599-9

## Miscellaneous – Brackets, Screws, etc.

6	Screw, 7 x 30 mm . . . . .	50-0443-9
7	Screw (Mount control box/cover to cabinet) . . . . .	50-0449-9
8	Wiring Harness, Main . . . . .	000001181
9	Wiring Harness, Toggle Switch . . . . .	20-0977-3

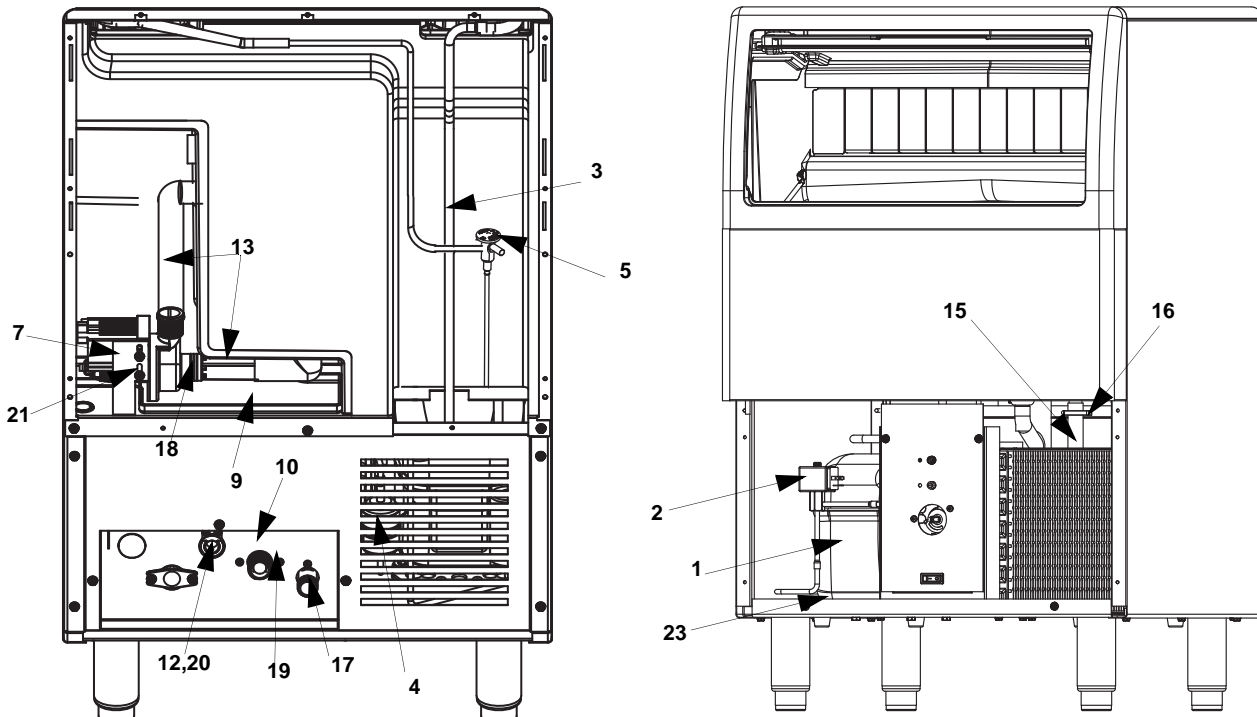
# EC50 EVAPORATOR ASSEMBLY



## DESCRIPTION

	DESCRIPTION	PART NO.
1	<b>Evaporator Assembly</b>	
	a. Large .....	76-0234-3
	a. Standard .....	76-0235-3
	b. Mini .....	76-0236-3
2	<b>Spray Bar Assembly</b> .....	76-0237-3
	a. Insert (each) .....	40-0877-9
	b. Cap (each) .....	40-0876-9
	c. O-ring .....	50-0463-9
3	<b>Ice Ramp</b> .....	40-1103-9
4	<b>Evaporator Housing Assembly(not shown)</b> .....	40-1020-1
5	<b>Standpipe Assembly</b>	
	a. Standpipe .....	40-1037-9
	b. Plug .....	40-1036-9
6	<b>Curtain Assembly</b>	
	a. Paddle (each uses 12 per machine) .....	40-1258-9
	b. Rod .....	30-0455-9
	c. Hanger .....	40-1127-9
<b>Miscellaneous – Brackets, Screws, etc.</b>		
7	Tubing (Water Pump Out) .....	000000943
8	Spray Bar Clamp .....	50-0508-9
9	Water Inlet Diverter .....	60-7248-1
10	Pump Inlet Screen .....	40-1493-9

## EC50 REFRIGERATION COMPARTMENT – COMMON PARTS

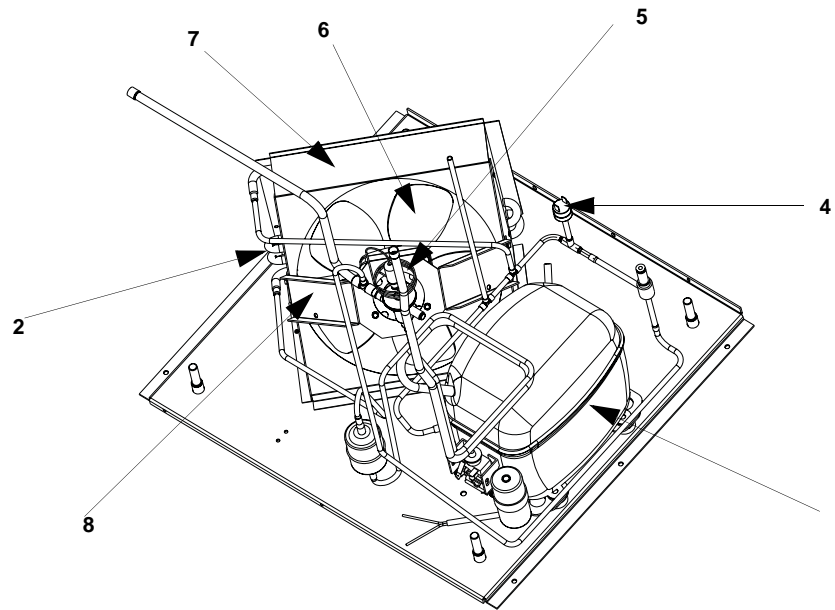


### DESCRIPTION

DESCRIPTION	PART NO.
<b>1 Compressor</b>	
a. 230/50-60/1 Ph Danfoss . . . . .	76-0243-3
Start Relay . . . . .	20-0610-9
Start Capacitor . . . . .	20-0606-9
b. 115/60/1 Ph Danfoss . . . . .	040000165
Start Relay . . . . .	82-5103-3
Start Capacitor . . . . .	82-5102-3
<b>2 Hot Gas Valve</b>	
a. Hot Gas Valve 230/50-60/1 Ph . . . . .	76-0239-3
Hot Gas Valve Coil Only 230/50-60/1 Ph . . . . .	000001144
b. Hot Gas Valve 115/60/1 Ph . . . . .	040000226
Hot Gas Valve Coil Only 115/60/1 Ph . . . . .	000001985
<b>3 Heat Exchanger</b> . . . . .	76-0241-3
<b>4 Line Drier</b> . . . . .	82-5215-9
<b>5 Expansion Valve</b> . . . . .	76-0242-3
a. Clamp . . . . .	56-5052-9
<b>6 Insulation</b>	
a. TXV Boot . . . . .	40-0040-3
a. TXV Bulb . . . . .	40-0720-3
<b>7 Water Pump</b>	
a. 220V/50 Hz . . . . .	040000038
b. 220V/60 Hz . . . . .	040000039
c. 115V/60 Hz . . . . .	000000658
d. Bracket . . . . .	000000794
<b>8 Evaporator Water Inlet Fitting</b> . . . . .	40-1116-9
<b>9 Condensate Tray</b> . . . . .	40-0875-9
<b>10 Water Inlet Valve</b>	
230V/50-60 Hz . . . . .	000000887
115V/60 Hz . . . . .	000000889
Mylar Shield . . . . .	000000827
<b>11 Power Cord 230/50/1 (not shown, Except China)</b> . . . . .	20-3302-3
Power Cord 230/50/1 (not shown, Only in China) . . . . .	20-0839-3
Power Cord 115/60/1 (not shown) . . . . .	000000335
<b>12 Terminal Block</b> . . . . .	20-0668-9
<b>Miscellaneous – Brackets, Screws, etc.</b>	
<b>13 Vinyl Tubing</b>	
a. Pump to Spray Bar . . . . .	000000943
b. Sump to Pump . . . . .	000000942
<b>14 Water Inlet Tubing .375 ID (not shown)</b> . . . . .	40-0902-9
<b>15 Bin Drain Tube</b> . . . . .	000000195
<b>16 Drain Line Clamp</b> . . . . .	50-0510-9
<b>17 Drain Fitting Barbed</b> . . . . .	40-1128-9
<b>18 Water Pump Inlet/Outlet Clamp</b> . . . . .	50-0508-9
<b>19 Screw 7 x 7 mm (mounts water inlet valve)</b> . . . . .	50-0442-9
<b>20 Screw 4 x 13 mm (mounts terminal block)</b> . . . . .	50-0485-9
<b>21 Screw 5 x 13 mm (mounts water pump)</b> . . . . .	50-0502-9

22	Restrictor .....	20-0823-9
23	Compressor Mounting	
	a. Compressor Mounting Retainer .....	56-4826-9
	b. Compressor Clevis Pin 1/4" x 1" .....	37-1210-9
	c. Compressor Hairpin Clip.....	56-4828-9
	d. Compressor Sleeve .....	50-0090-9
	e. Compressor Rubber Gromet.....	50-0089-9
	f. Compressor Washer .....	50-0097-9

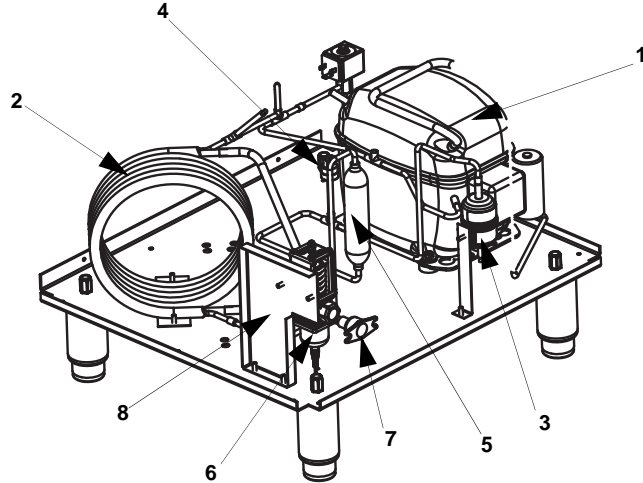
## EC50 REFRIGERATION COMPARTMENT – AIR-COOLED



### DESCRIPTION

		<b>PART NO.</b>
1	Compressor (Refer to COMMON PARTS Page) .....	Page EC50-4
2	Air Condenser .....	88-5135-9
3	Baffle -Air Condenser .....	30-0564-9
4	Fan Cycling Control .....	040001286
<b>5</b>	<b>Fan Motor</b>	
	a. 230V/50 Hz .....	20-0021-9
	a. 115V/60 Hz .....	20-0022-3
6	Fan Blade .....	30-0565-9
<b>Miscellaneous – Brackets, Screws, etc.</b>		
7	Fan Shroud .....	602938-9
8	Fan Motor Mounting Bracket .....	606174-9
9	Screw Hex 5 x 31 mm (bracket to shroud) .....	50-0449-9
10	Screw Php 7 x 7 mm (motor to bracket) .....	50-0442-9
11	Lockwasher .....	50-0523-9

# EC50 REFRIGERATION COMPARTMENT – WATER-COOLED

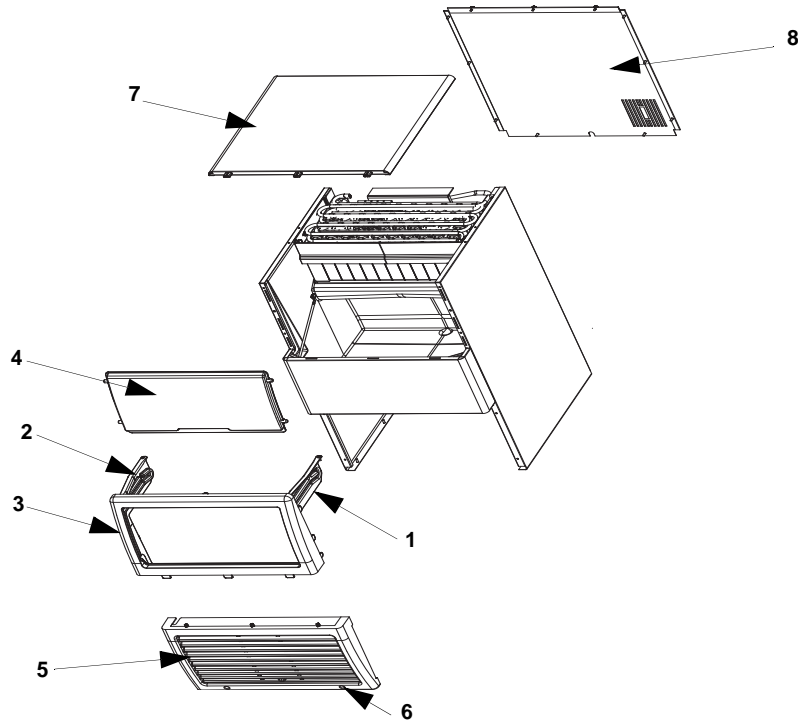


**DESCRIPTION**

**PART NO.**

1	Compressor (Refer to COMMON PARTS Page) .....	Page EC50-4
2	Water Condenser .....	82-5252-9
3	Liquid Line Drier .....	82-5215-9
4	HPCO .....	20-0683-9
5	Receiver .....	82-5251-9
6	Water Regulating Valve .....	82-5272-9
	a. Coupling 3/8 F x 3/8 NPT .....	83-3202-3
<b>Miscellaneous – Brackets, Screws, etc.</b>		
7	Adapter 1/2 NPTF .....	87-0610-3
8	Bracket .....	605603-9

## EC50 PANELS



### Door – Gray

1	Right Hand Track	40-0867-9
2	Left Hand Track	40-0868-9
3	Frame	40-0883-9
4	Door Assembly	40-0919-9
5	Grill	40-0872-9
6	Grill Screws (5 x 13 mm)	50-0449-9
7	Top Cover	605601-9
8	Back Panel	605604-9
9	Rear Utility Panel	000001154

### Door – Blue

1	Right Hand Track	40-0925-9
2	Left Hand Track	40-0926-9
3	Frame	40-0928-9
4	Door Assembly	40-0922-9
5	Grill	40-0927-9
6	Grill Screws (5 x 13 mm)	50-0449-9
7	Top Cover	605601-9
8	Back Panel	605604-9
9	Rear Utility Panel	000001154

### Door - Light Gray

1	Right Hand Track	40-0932-9
2	Left Hand Track	40-0933-9
3	Frame	40-0936-9
4	Door Assembly	40-0937-9
5	Grill	40-0934-9
6	Grill Screws (5 x 13 mm)	50-0449-9
7	Top Cover	605601-9
8	Back Panel	605604-9
9	Rear Utility Panel	000001154