



**Ice Machine Parts List for
Series ES170Models**

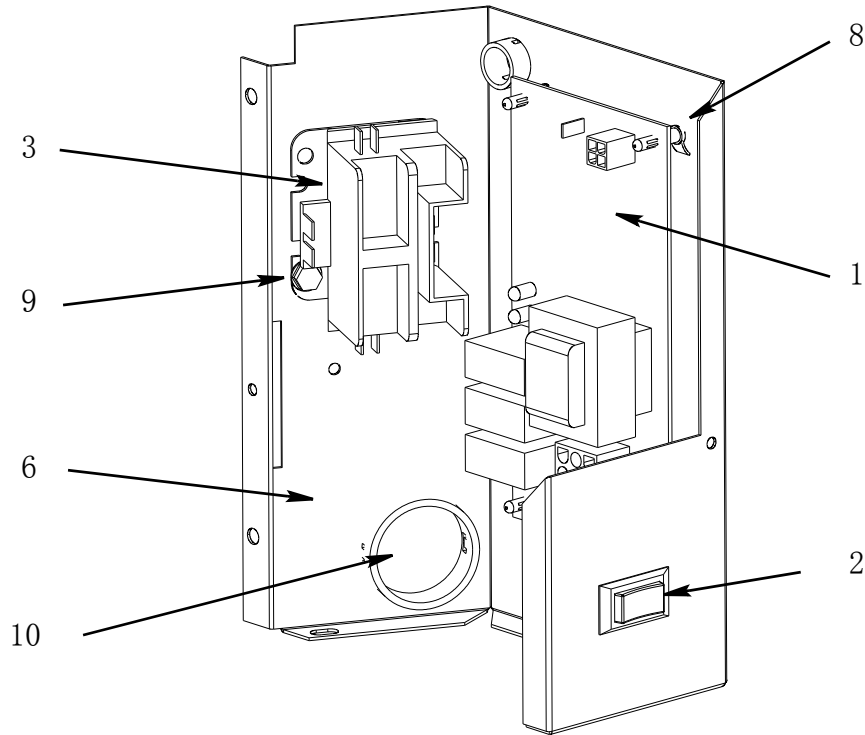
制冰机零件手册

ES0170A

(After 310337165)

(序列号 310337165 之后)

ES170 CONTROL BOX 控制盒



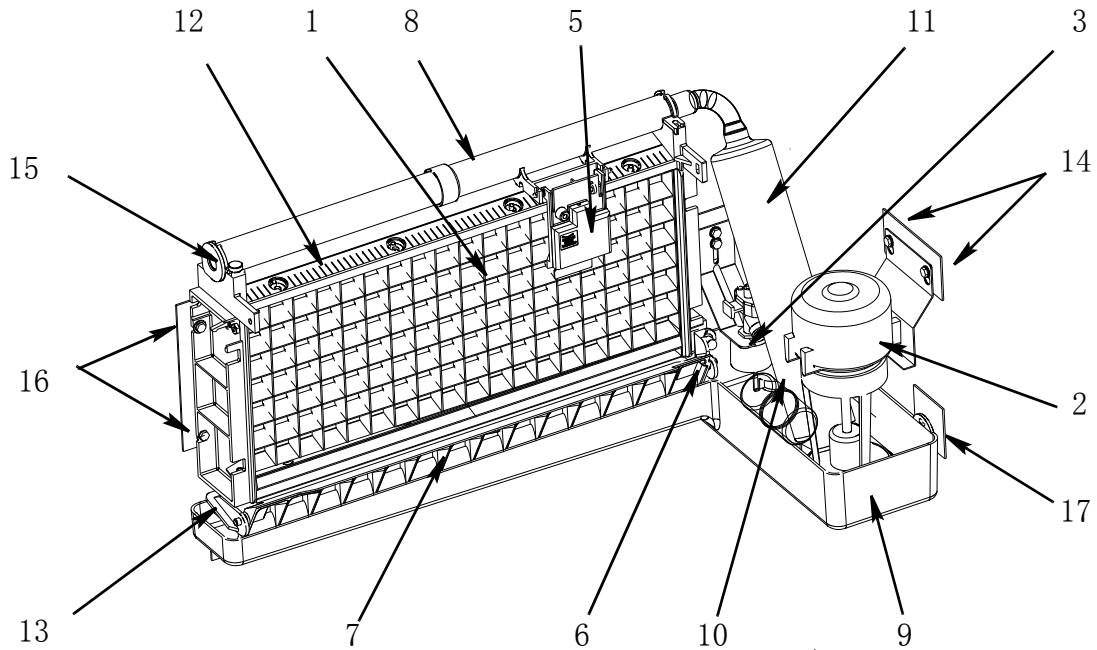
DESCRIPTION 描述

	PART NO.
1 Control Board 控制板	7629073
2 Toggle Switch 功能开关	2301513
3 Contactor Kit 接触器 208-230V	2410283
4 Wiring Harness 开关线束	
a. Air-Cooled (Not shown) 风冷 (未显示)	2032483
5 Power Cord 电源线	
b. 230V/50 Hz (Not shown) (未显示)	040002495

Miscellaneous 杂项 – Brackets, Screws, etc. 支架, 螺钉等

6 Control Box 控制盒	040005067
7 Control Box Cover (Not shown) 控制盒盖 (未显示)	040005068
8 Control Board Mounting Supports 控制板支脚	4302253
9 Screw #10-24X1/4 螺钉	5202063
10 Bushing 主线束	040005063

ES170 EVAPORATOR COMPARTMENT 蒸发器部分



DESCRIPTION 描述

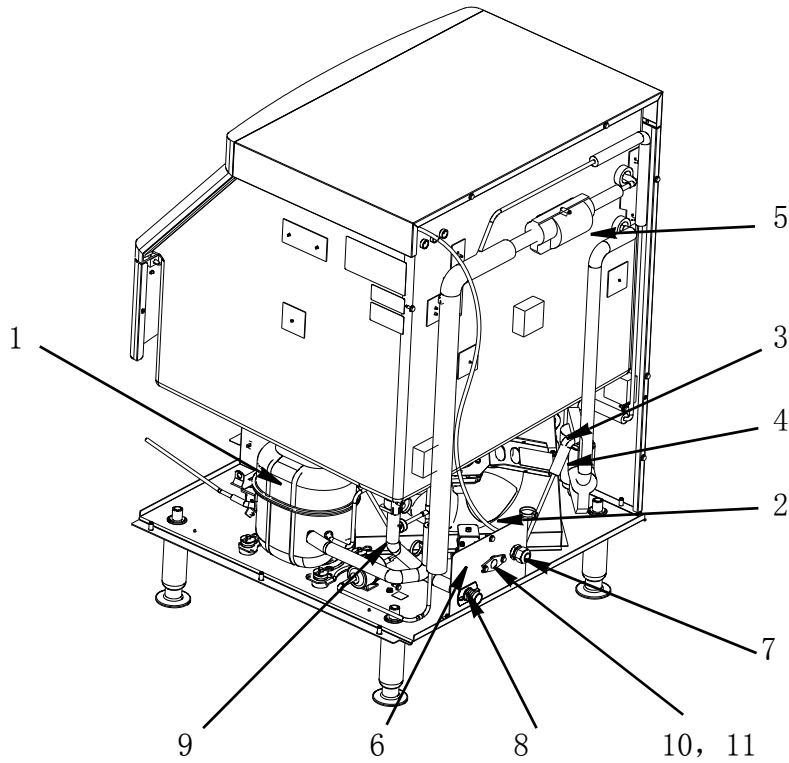
	PART NO.
1 Evaporator Assembly 蒸发盘组件	
a. Dice Cube 方冰	040005418
2 Water Pump 水泵	
b. 230V/50 Hz	040005407
3 Float Valve 浮球阀	8369049
4 POLY TUBING 44-P-1/4 OD (Not Shown) 浮球阀进水管 (未显示)	4420291
5 Ice Thickness Control Probe 冰厚探头	7601603
6 Magnetic Bin Switch (Mounted to Evaporator) 箱体开关 (在蒸发盘上)	2301483
7 Ice Damper 冰碰条	7600483
8 Water Distribution Tube 分水管	040001245
9 Water Trough 水槽	040001251
10 Siphon Cap 虹吸帽	4302223
11 Tubing (Water Pump Out) 水泵出水管	040001255
12 Evaporator Top Frame 蒸发盘顶部支架	040005539
13 Evaporator Bottom Frame 蒸发器底部支架	040005540

Miscellaneous 杂项 – Brackets, Screws, etc. 支架, 螺钉等

14 Screw, #10-24 x .50 水泵固定螺钉	000003162
15 Thumbscrew, #8-32 x .38 Nylon Water Distribution Tube Mounting 分水管指旋螺钉	5000013
16 Screw, #10-24 x .750 Used to Mount Evaporator 蒸发盘固定螺钉	000005995
17 Thumbscrew, #8-32 x .44 水槽指旋螺钉	040001217

† Refer to Cross Reference Guide

ES170 REFRIGERATION COMPARTMENT 制冷系统 – COMMON PARTS 通用件

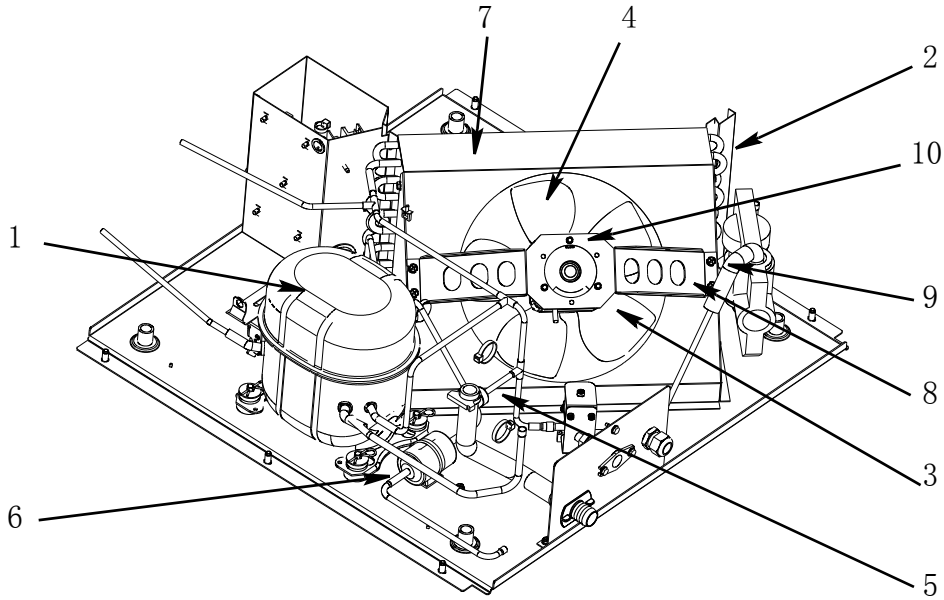


DESCRIPTION 描述

	PART NO.
1 Compressor Assembly 压缩机	
a. 220/240V 50 Hz/1 Ph	040002319
b. Relay 继电器	040002321
c. Protector 热保护	040002322
d. Start Capacitor 启动电容	040002323
2 Hot Gas Valve 热气阀	
a. Hot Gas Valve Including Electrical Coil 热气阀 (含线圈)	040000690
b. Coil 热气阀线圈	040000103
3 Expansion Valve 膨胀阀	040003693
4 Expansion Valve Body Insulation Boot 膨胀阀阀体保温棉	4000363
5 Expansion Valve Bulb Insulation Boot 膨胀阀感温包保温棉	4007203
Miscellaneous 杂项 – Brackets, Screws, etc. 支架, 螺钉等	
6 Bracket (Water/Electrical Inlet) 小背板	040005066
7 Cord Connector 电源线接口	2502283
8 Drain Tubing Fitting-Barbed 排水接头	4011283
9 Drain Tube 排水管	040005089
10 FEMALE WING ADAPTER 进水铜接头	8706093
11 ADAPTOR 1/4 OD X 1/8 NPTF, ACETAL 进水转接头	1360961

† Refer to Cross Reference Guide

ES170 REFRIGERATION COMPARTMENT 制冷系统 – AIR-COOLED 风冷



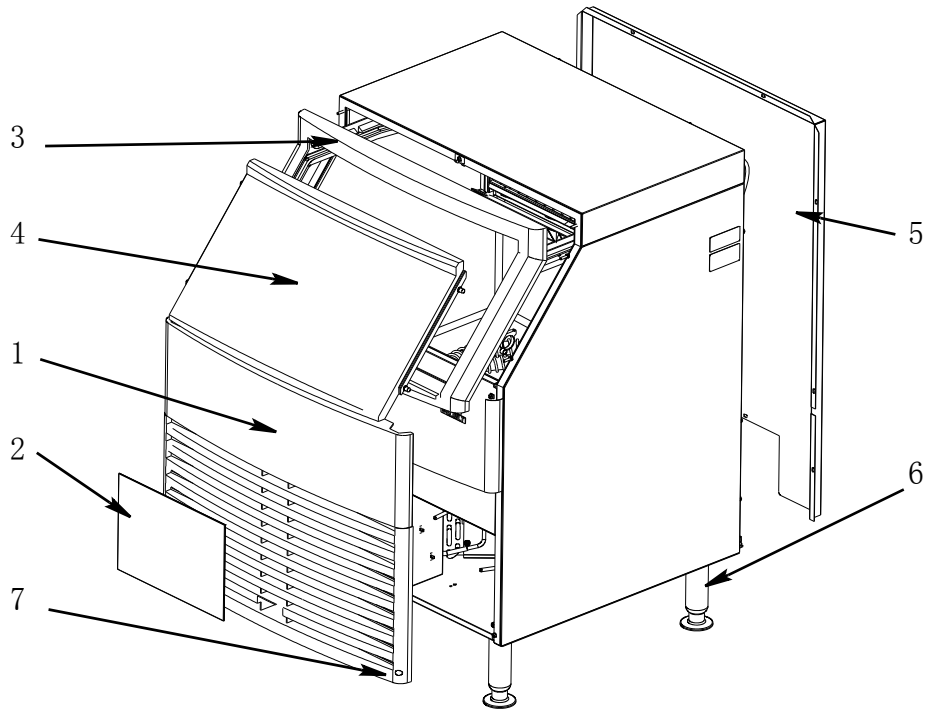
DESCRIPTION 描述

	PART NO.
1 Compressor (Refer to COMMON PARTS Page) 压缩机 (见通用件)	Page 4
2 Air Condenser 冷凝器	040001074
3 Fan Motor 风扇马达 230V/50 Hz.	040002505
4 Fan Blade 扇叶	3005653
5 Fan Cycling Control 风扇循环控制器	000013509
6 Drier 干燥过滤器	8253313

Miscellaneous 杂项 – Brackets, Screws, etc. 支架, 螺钉等

7 Fan Shroud 风扇罩	6026851
8 Fan Motor Mounting Bracket 风扇马达支架	6027431
9 Screw 10-24X0.25 螺钉	5202323
10 Screw M4X.7X8MM 螺钉	5005513

ES170 PANELS 面板



DESCRIPTION 描述

DESCRIPTION 描述	PART NO.
1 Front Panel Assembly 前面板组件	040003690
2 Air Filter 空气滤网	7629143
3 Door Frame Assembly 门框组件	040003686
4 Bin Door 门板	040003913
5 Back Panel 背板	040001940
6 Leg Leveler 支脚	040002949

Miscellaneous 杂项 – Brackets, Screws, etc. 支架, 螺钉等

7 Front Cover Screw 前面板螺钉	5202233
8 Ice Scoop (Not shown) 冰铲 (未显示)	040004889

Rev(11/16)