



Ice Machine Parts List for Series i-450 Models

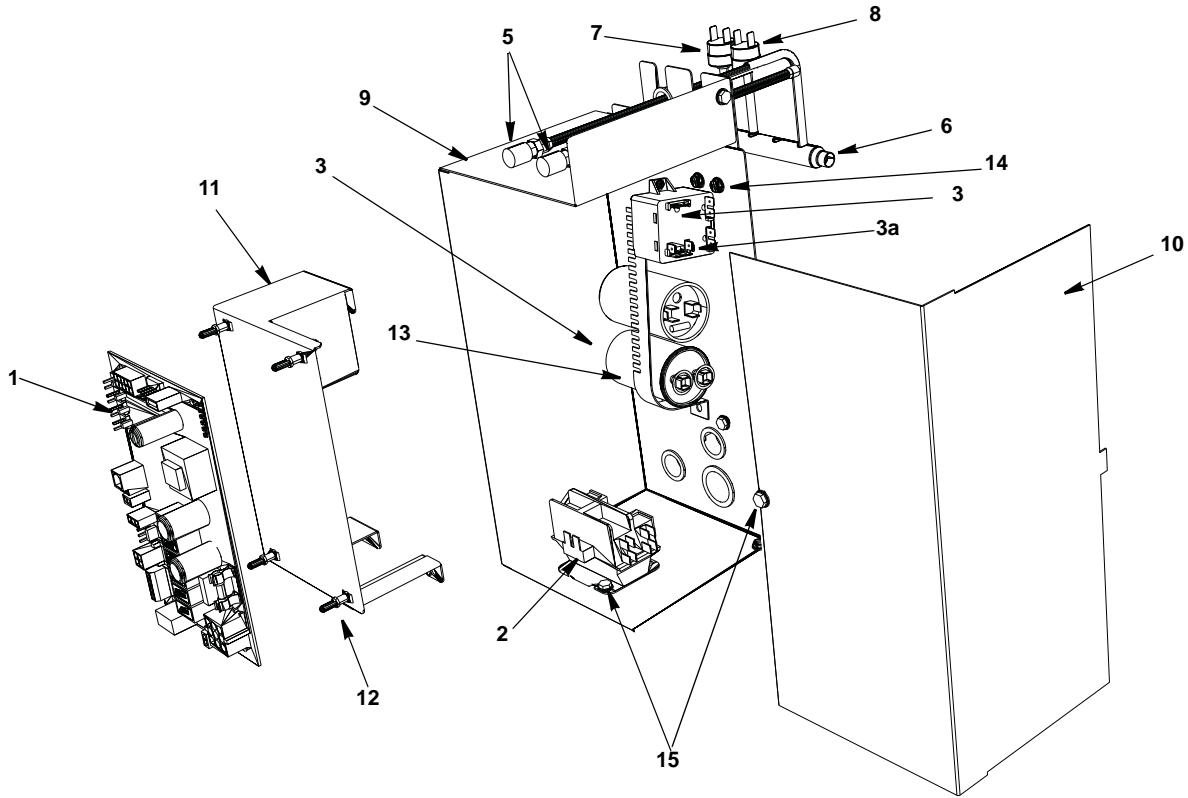
iD0452A

iY0454A

iD0453W

iY0455W

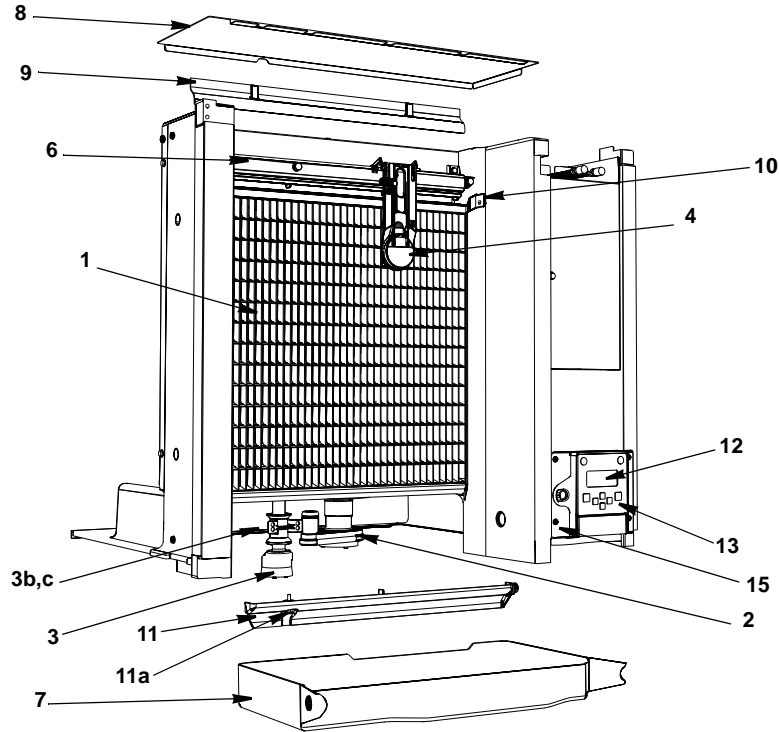
i450 CONTROL BOX



DESCRIPTION

DESCRIPTION	PART NO.
1 Control Board (for use with all voltages)	000008309
a. 8 amp Ceramic Fuse – Mounted on Control Board	000009181
2 Contactor	
a. 115V/60 Hz/1ph	20-0658-9
b. 208-230V/60 Hz/1ph or 230V/50 Hz/1ph	20-0659-9
3 PTCR Compressor Starter	85-0500-3
a. Bracket	85-0502-3
4 Compressor Run Capacitor	
a. 115V/60 Hz/1ph	20-1013-3
b. 208-230V/60 Hz/1ph	000007675
c. 208-230V/50 Hz/1ph	85-0400-3
5 Refrigeration Service Valve Assembly	83-7326-3
6 Manifold Strainer	000008364
a. Bracket	605857-1
7 High Pressure Cut-out (Auto Reset)	20-0124-3
8 Fan Cycling Control	† 20-0126-3
Miscellaneous – Brackets, Screws, etc.	
9 Control Box	000008279
10 Control Box Cover	000007569
11 Control Board Mounting Bracket	000007564
12 Control Board Mounting Supports	43-0225-3
13 Capacitor Mounting Strap	602495-3
14 Screws, #10-24 x .50 Ground	52-0216-9
a. Star Washer	55-7320-9
15 Screw, #10-24 x .50	52-0206-9
16 Lockwashers	55-7320-9
17 Control Box Bushings	
a. Large (1)	25-0001-9
b. Small (4)	25-0140-9
18 Control Box Wiring Harness (Not shown)	
a. 115/60/1	000007696
b. 230/60/1	000007179
c. 230/60/3	000007181
d. 230/50/1	000007180
19 Compressor Compartment Wiring Harness (Not shown)	
a. Air-cooled	000007185
b. Water-cooled	000007177

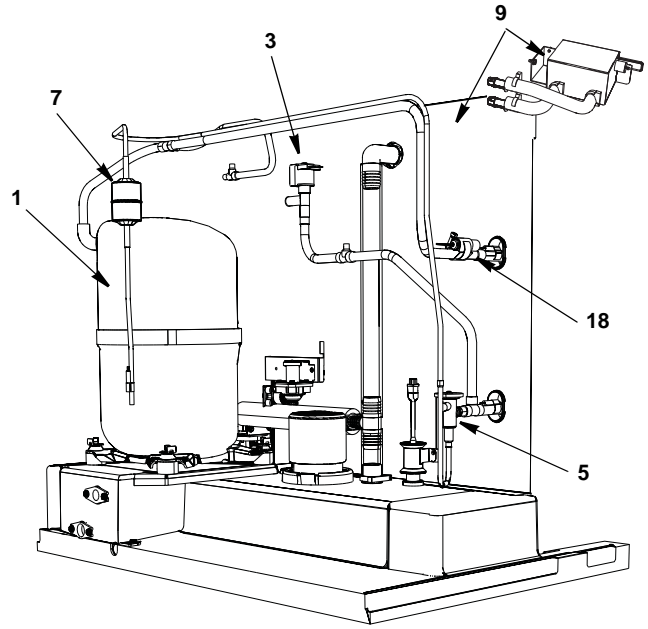
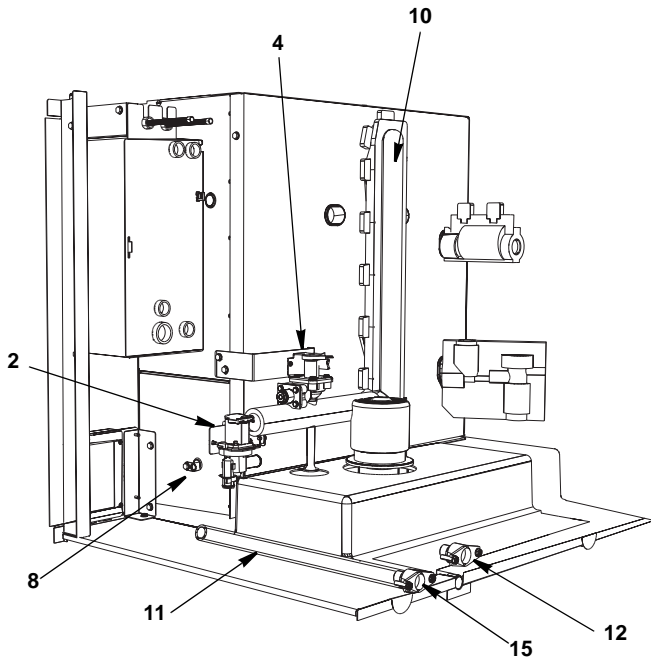
i450 EVAPORATOR COMPARTMENT - COMMON COMPONENTS



DESCRIPTION

	DESCRIPTION	PART NO.
1	Evaporator Assembly	
	a. Dice Cube	76-0287-9
	b. Half Dice Cube	76-0288-9
2	Water Pump	
	a. 115V/60 Hz 1PH	20-0892-9
	b. 230V/60 Hz 1/3PH	20-0893-9
	c. 230/50/1	20-0894-9
3	Water Level Probe.	000007052
	a. Wire, control box to probe (Not shown).	000007099
	b. Holder	000007053
	c. Screw (Mount Water Level Probe Holder)	52-0209-9
4	Ice Thickness Control Probe.	000008660
5	Water Curtain (Not shown)	40-1118-9
6	Water Distribution Tube Assembly	76-0278-9
	a. O-Rings (Back of Distribution Assembly)	50-0464-9
7	Water Trough	000002106
8	Foodzone Seal Panel	000007613
9	Evaporator Top Filler Panel	40-0846-9
	a. Stainless Steel Clamp	606333-9
	b. Clamp Screw.	52-0209-9
10	Evaporator Top Frame Assembly	76-0220-3
11	Water Diverter.	76-0221-3
	a. Thumbscrew	53-0512-3
12	LCD Display	000006728
13	Touch Pad with Housing	000007926
14	LCD Wiring Harness (Not shown).	000007737
15	Touch Pad/Housing Mounting Bracket	000006697
16	Front Panel LCD Frame	
	a. With Key Guard.	000006647
	b. Without Key Guard	000006564
	c. Display Cover (hides the display completely)	K00433
Miscellaneous – Brackets, Screws, etc.		
17	Screw, (Water Distribution Tube Mounting) Each	50-0479-9
	a. O-Ring.	50-0462-9
18	Screw, #12-16 x .687 Used to Mount Evaporator (Each)	50-0461-9
19	Water Pump Base O-Ring	50-0465-9
20	Water Pump Outlet O-Ring.	50-0467-9

i450 REFRIGERATION COMPARTMENT – COMMON PARTS

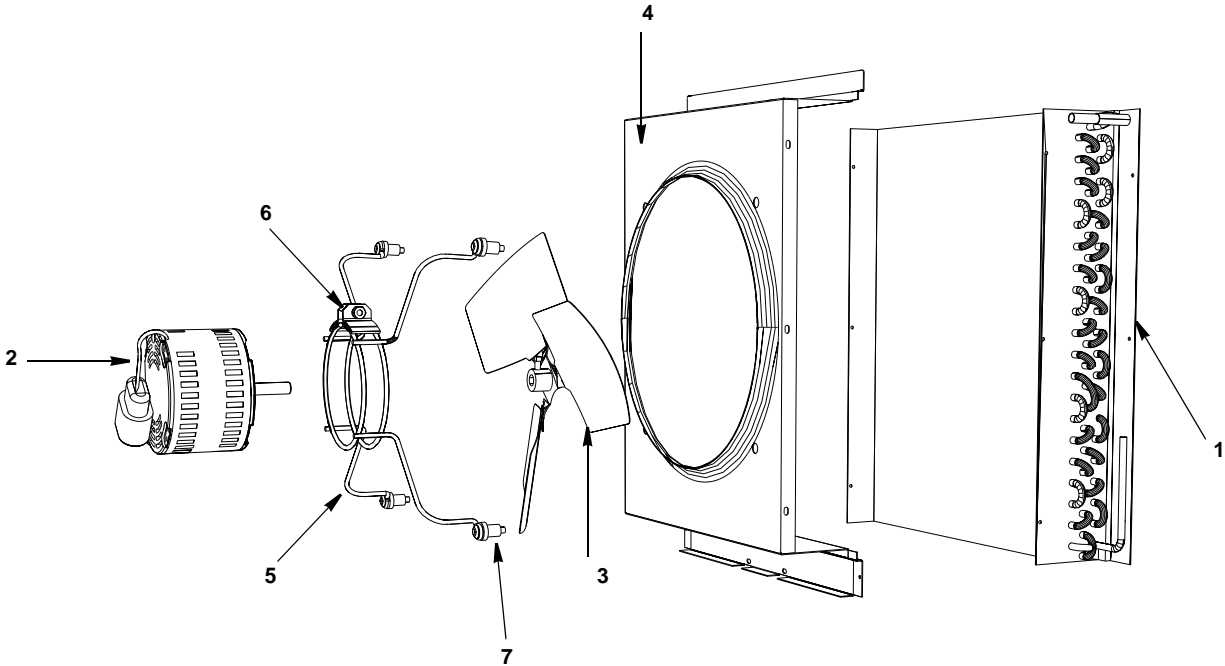


DESCRIPTION

1	Compressor	PART NO.
a.	115V/60 HZ/1 Ph.	000008740
b.	208-230V/60 Hz/1 Ph	000008741
c.	230V/50 Hz/1 Ph.	000008742
2	Water Dump Valve (with bracket)	
a.	115V/60Hz.	000001767
a.	208-230V/50-60 Hz.	000001768
b.	Mounting Bracket	605845-9
c.	Dump Valve Tubing 3.25 inches	44-2038-3
3	Harvest Valve	
a.	Harvest Valve Including 115V 60 Hz Electrical Coil	000007029
b.	Harvest Valve 115V Coil Only Danfoss	000005156
c.	Harvest Valve Including 208/230V 50/60 Hz Electrical Coil	000007028
d.	Harvest Valve 208/230V Coil Only Danfoss	000005157
4	Water Inlet Valve	
a.	Water Inlet Valve Including 115V/60 Hz Coil.	000007965
b.	Water Inlet Valve Including 208-230V/50-60 Hz Coil	000007966
c.	Water Inlet Valve Bracket	000007594
5	Expansion Valve	
a.	Expansion Valve Body Insulation Boot	76-0290-3
b.	Expansion Valve Bulb Insulation Boot.	40-0036-3
6	Thermistors with Spring Clips	40-0720-3
7	Drier	000008310
8	Magnetic Bin Switch	89-3025-9
a.	Wiring Harness	000007888
9	LuminIce	000007410
a.	LuminIce Bulb	K00424
b.	LuminIce Wiring Harness	K00425
c.	Bulkhead Fitting 2.25"	000007409
d.	Bulkhead Fitting 2.75"	000007990
10	Insulated Tube (vinyl tubing from distribution tube to water pump & dump valve)	000008269
a.	Clamp 0.859/0.989 ID.	000003405
b.	Clamp 0.799/0.899 ID.	56-5060-3
11	Vinyl Tubing 0.625 ID (dump valve to drain adapter)	56-5070-3
a.	Insulation.	000001382
b.	Clamp	603883-1
		56-5070-9
	Miscellaneous – Brackets, Screws, etc.	
12	Water Inlet Wing Adapter	87-0609-3
a.	Adapter Plastic Fitting	13-6096-1
13	Water Inlet Valve Tubing	40-1043-9
14	Connector Water Inlet Valve	13-6098-9
15	Water Drain Wing Adapter	87-0613-3
16	Compressor Mounting	
a.	Base	606170-9
b.	Rubber Grommet	† 85-0306-9
c.	Sleeve	85-0394-9
d.	Bolt	50-0481-9
e.	Nut	50-0482-9
17	Clamp, Expansion Valve Bulb	56-5052-9
18	Copper Bulb Strap	30-0050-3
19	Screw, #10-24 x .50	52-0206-9

† Refer to Cross Reference Guide

i450 Refrigeration Compartment – Air-Cooled



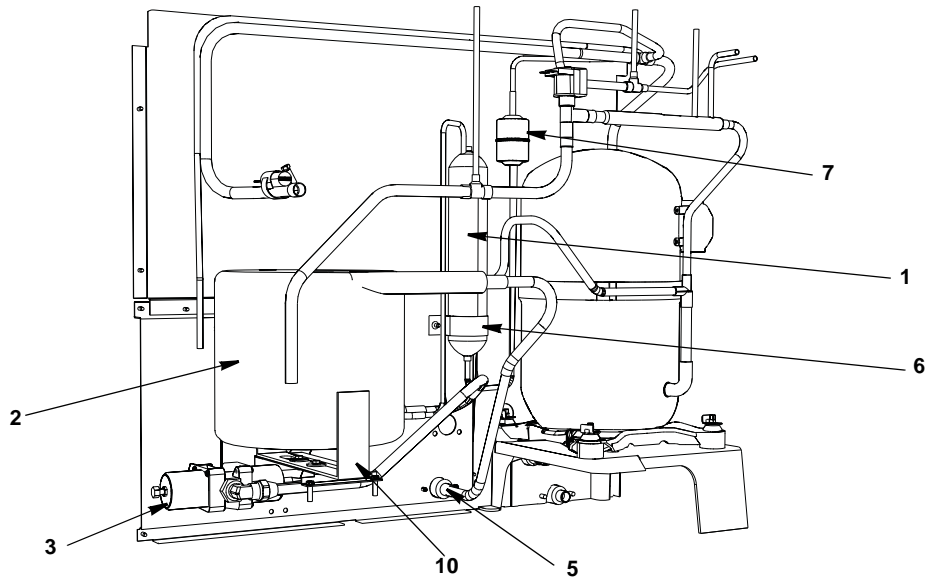
DESCRIPTION

	DESCRIPTION		PART NO.
1	Air Condenser	82-5212-9
2	Fan Motor		
	a. 115V/60 Hz	24-1292-9
	b. 208-230V/60 Hz or 230V/50 Hz	24-1293-9
3	Fan Blade	24-1620-3

Miscellaneous – Brackets, Screws, etc.

4	Fan Shroud	606168-9
5	Fan Motor Bracket	606186-9
6	Fan Motor Mounting Screw	† 50-3358-9
	a. Fan Motor Mounting Lockwasher	† 55-4510-9
	b. Fan Motor Mounting Hexnut	† 54-2952-9
7	Fan Bracket Mounting		
	a. Screw	50-3238-9
	b. Lockwasher	† 55-4510-9
	c. Flatwasher	† 55-7305-9
	d. Rubber Wellnut	† 54-2955-9
8	Screw, #10-24 x .50	† 52-0206-9

i450 REFRIGERATION COMPARTMENT – WATER-COOLED



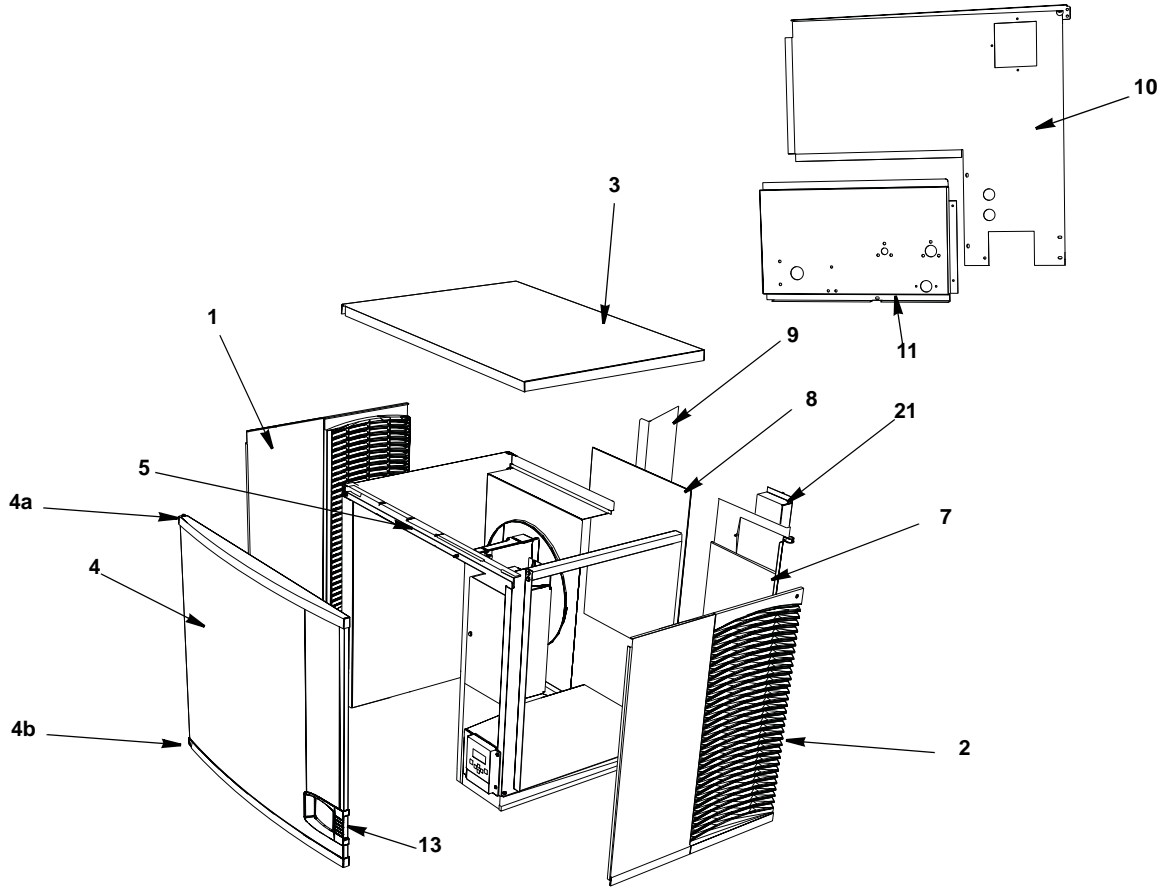
DESCRIPTION

	PART NO.
1 Receiver	12-0003-1
2 Water-cooled Condenser	000000046
3 Water Regulating Valve	000007546
a. Bracket	000007695
4 High Pressure Water Regulating Valve.	000007514
a. Bracket	000007518
b. Panel	000008482
5 Condenser Water Drain Female Wing Adapter	87-0608-3

Miscellaneous – Brackets, Screws, etc.

6 Receiver Strap	600054-1
7 Elbow 3/8 MF x 3/8 MPT	50-0215-9
8 Screw, #10-24 x .50	52-0206-3
9 Washer	55-7341-9
10 Base, Water Condenser/Receiver	605865-9

i450 PANELS



DESCRIPTION

	DESCRIPTION	PART NO.
1	Left Side Panel	00005217
2	Right Side Panel	00005215
3	Top Cover	00006699
4	Front Panel Assembly	00006577
	a. Top Endcap	00006538
	b. Bottom Endcap	00006539
5	Front Top Support	00006730
	Mounting Screw Left Side 8-32 x 1	50-0537-9
	Mounting Screw Right Side 10-24 x .50	50-0509-9
6	Back Coupling Panel, Drain/Water Connection (Compressor Base)	606170-9
Air-Cooled Back Panels		
7	Back Panel with Electrical Connection Box, Air-cooled Models	606203-9
8	Air Filter	30-0593-9
9	Air Baffle Assembly	00007314
Water-Cooled & Remote Air-Cooled Back Panels		
10	Back Panel with Electrical Connection Box	607207-1
11	Back Coupling Panel, Water-Cooled/Remote Connections	606173-9
12	Drain Fitting	87-0608-3
Miscellaneous – Brackets, Screws, etc.		
13	Front Panel LCD Frame	
	a. With Key Guard	00006647
	b. Without Key Guard	00006564
	c. Display Cover (hides the display completely)	K00433
14	Door Screw	50-0489-9
15	Bottom Door Frame	76-0226-3
	a. Mounting Screw Left Side 8-32 x 1 PHIL	50-0537-9
	b. Mounting Screw Right Side 10/24 x .50 PHIL	52-0209-9
16	Left Door Pivot Leaf Hinge (Top or Bottom)	30-0557-9
	a. Mounting Screw 8-32 x 1 PHIL	50-0537-9
17	Left Top Channel	606864-9
18	Right Top Channel	606257-9
19	Left Corner Post	606293-9
20	Right Corner Post	606292-9
21	Electrical Box on Rear of Ice Machine	
	a. Box with Cover	Included in Back Panel Assembly
	b. Terminal Block 3 Pole	20-0614-3
	c. Groundscrew #10-24 x .50	52-0216-9

INTENTIONALLY LEFT BLANK