



Ice Machine Parts List for Series i-500 Models

iD0502A

iY0504A

iD0503W

iY0505W

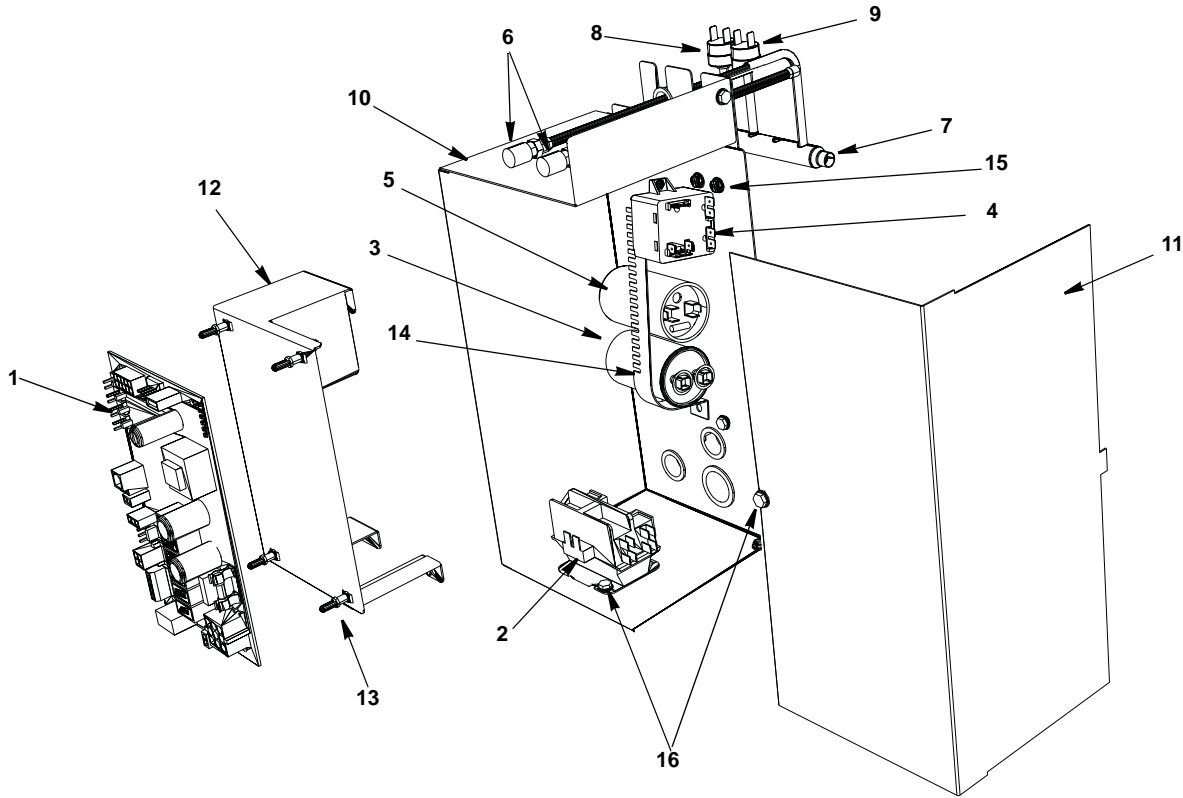
iD0592N

iY0594N

iYP0504A

JC0495

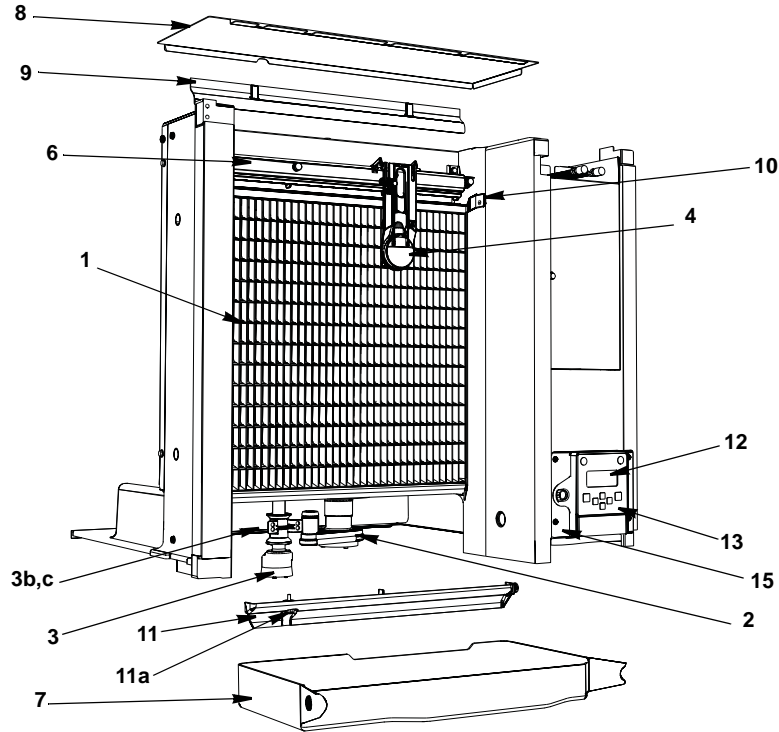
i500 CONTROL BOX



DESCRIPTION

	DESCRIPTION		PART NO.
1	Control Board (for use with all voltages)	000008309	
	a. 8 amp Ceramic Fuse – Mounted on Control Board	000009181	
2	Contactors		
	a. 115V/60 Hz/1ph		20-0658-9
	b. 208-230V/60 Hz/1ph or 230V/50 Hz/1ph		20-0659-9
	c. R290 230V/50 Hz/1ph		000008924
3	Compressor Run Capacitor		
	a. 115V/60 Hz/1ph		20-1014-3
	b. 208-230V/50-60 Hz/1ph		85-0400-3
	c. R290 230V/50 Hz/1ph		20-0949-3
4	Start Relay		
	a. 115V/60 Hz/1ph		20-0205-3
	b. 230V/50-60 Hz/1ph		20-0792-9
5	Start Capacitor		
	a. 115V/60 Hz/1ph		85-0577-3
	b. 230V/50-60 Hz/1ph		85-0383-3
	c. R290 230V/50 Hz/1ph		85-0372-3
6	Refrigeration Service Valve Assembly		83-7326-3
7	Manifold Strainer		82-5104-9
	a. Bracket		605857-1
8	High Pressure Cut-out (Auto Reset)		20-0124-3
	a. R290 230V/50 Hz/1ph Only		000008876
9	Fan Cycling Control		† 20-0126-3
	a. R290 230V/50 Hz/1ph Only		000008877
	Miscellaneous – Brackets, Screws, etc.		
10	Control Box		000008279
11	Control Box Cover		000007569
12	Control Board Mounting Bracket		000007564
13	Control Board Mounting Supports		43-0225-3
14	Capacitor Mounting Strap		602495-3
15	Screws, #10-24 x 0.50 Ground		52-0216-9
	a. Star Washer		55-7320-9
16	Screw, #10-24 x 0.50		52-0206-9
17	Lockwashers		55-7320-9
18	Control Box Bushings		
	a. Large (1)		25-0001-9
	b. Small (4)		25-0140-9
19	Control Box Wiring Harness (Not shown)		
	a. 115/60/1		000007172
	b. 230/60/1		000007173
	c. 230/50/1		000007174
	d. R290 230V/50 Hz/1ph		000009996
20	Compressor Compartment Wiring Harness (Not shown)		
	a. Air-cooled		000007178
	b. Water-cooled		000007176
	c. Remote Air-cooled		000007175
21	R290 Contactor Box (Not shown)		
	a. Box Cover		000009209
	b. Mounting Bracket		000009210
	c. Liquid Tight Cord Grip		000009211
	d. R290 230V/50 Hz/1ph Contactor Wiring Harness		000009229
	e. R290 230V/50 Hz/1ph Terminal Blocks		000009262
			20-0460-3

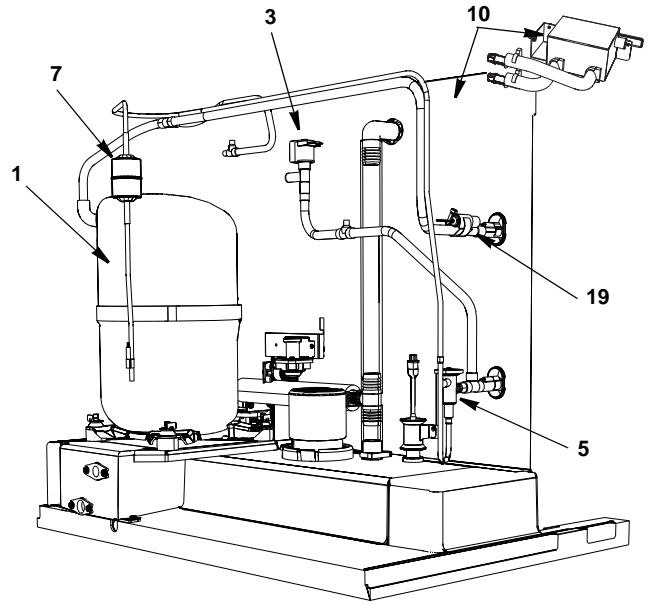
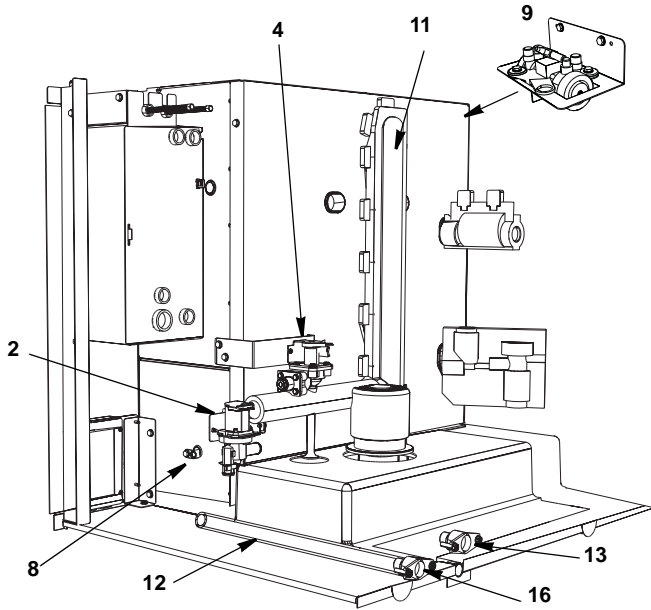
i500 EVAPORATOR COMPARTMENT - COMMON COMPONENTS



DESCRIPTION

	DESCRIPTION	PART NO.
1	Evaporator Assembly	
	a. Dice Cube	76-0283-9
	b. Half Dice Cube	76-0284-9
2	Water Pump	
	a. 115V/60 Hz 1PH	82-5112-9
	b. 230V/60 Hz 1/3PH	20-0739-9
	c. 230/50/1	82-5210-9
3	Water Level Probe.	000007052
	a. Wire, control box to probe (Not shown).	000007099
	b. Holder	000007053
	c. Screw (Mount Water Level Probe Holder)	52-0209-9
4	Ice Thickness Control Probe.	000008660
5	Water Curtain (Not shown)	40-1097-9
6	Water Distribution Tube Assembly	76-0219-3
	a. O-Rings (Back of Distribution Assembly)	50-0464-9
7	Water Trough	40-0360-9
8	Foodzone Seal Panel	000007613
9	Evaporator Top Filler Panel	40-0846-9
	a. Stainless Steel Clamp	606333-9
	b. Clamp Screw.	52-0209-9
10	Evaporator Top Frame Assembly	76-0220-3
11	Water Diverter.	76-0221-3
	a. Thumbscrew	53-0512-3
12	LCD Display	000006728
13	Touch Pad with Housing	000007926
14	LCD Wiring Harness (Not shown).	000007737
15	Touch Pad/Housing Mounting Bracket	000006697
16	Front Panel LCD Frame	
	a. With Key Guard.	000006647
	b. Without Key Guard	000006564
	c. Display Cover (hides the display completely)	K00433
Miscellaneous – Brackets, Screws, etc.		
17	Screw, (Water Distribution Tube Mounting) Each	50-0479-9
	a. O-Ring.	50-0462-9
18	Screw, #12-16 x 0.687 Used to Mount Evaporator (Each)	50-0461-9
19	Water Pump Base O-Ring	50-0465-9
20	Water Pump Outlet O-Ring.	50-0467-9

i500 REFRIGERATION COMPARTMENT – COMMON PARTS



DESCRIPTION

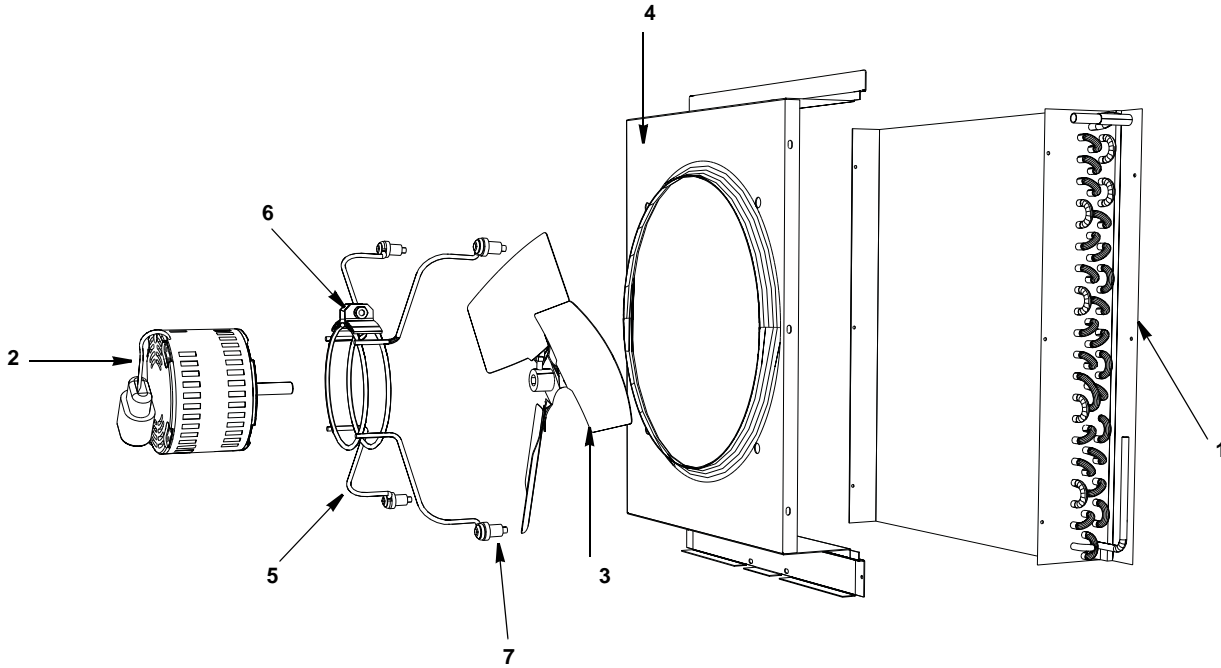
PART NO.

1 Compressor		
a. 115V/60 HZ/1 Ph.		000003919
b. 208-230V/50-60 Hz/1 Ph.		000003920
c. R290 230V/50 Hz/1ph		000008882
2 Water Dump Valve (with bracket)		
a. 115V/60Hz.		000001767
a. 208-230V/50-60 Hz.		000001768
b. Mounting Bracket		605845-9
c. Dump Valve Tubing 3.25 inches		44-2038-3
3 Harvest Valve		
a. Harvest Valve Including 115V 60 Hz Electrical Coil		000007027
b. Harvest Valve 115V Coil Only Danfoss.		000005156
c. Harvest Valve Including 208/230V 50/60 Hz Electrical Coil		000007026
d. Harvest Valve 208/230V Coil Only Danfoss		000005157
4 Water Inlet Valve		
a. Water Inlet Valve Including 115V/60 Hz Coil.		000007965
b. Water Inlet Valve Including 208-230V/50-60 Hz Coil		000007966
c. Water Inlet Valve Bracket		000007594
5 Expansion Valve		
a. R290 230V/50 Hz/1ph		76-0158-3
b. Expansion Valve Body Insulation Boot		000008875
c. Expansion Valve Bulb Insulation Boot.		40-0036-3
6 Thermistors with Spring Clips		40-0720-3
7 Drier		000008310
a. Air & Water-cooled		89-3025-9
b. Remote		89-3027-9
8 Magnetic Bin Switch		000007888
a. Wiring Harness		000007410
9 Air Assist		
a. 115V with brackets		000007222
b. 230V with brackets		000007223
c. Manifold Tee (Air Pump Tubing Outlet)		40-1173-9
d. Bracket		000006489
e. Nozzle		30-0145-3
10 LuminIce		K00424
a. LuminIce Bulb		K00425
b. LuminIce Wiring Harness		000007409
c. Bulkhead Fitting 2.25"		000007990
d. Bulkhead Fitting 2.75"		000008269
11 Insulated Tube (vinyl tubing from distribution tube to water pump & dump valve)		000003405
a. Clamp 0.859/0.989 ID.		56-5060-3
b. Clamp 0.799/0.899 ID.		56-5070-3
12 Vinyl Tubing 0.625 ID (dump valve to drain adapter)		000001382
a. Insulation.		603883-1
b. Clamp		56-5070-9

Miscellaneous – Brackets, Screws, etc.

13	Water Inlet Wing Adapter	87-0609-3
	a. Adapter Plastic Fitting	13-6096-1
14	Water Inlet Valve Tubing	40-1043-9
15	Connector Water Inlet Valve	13-6098-9
16	Water Drain Wing Adapter	87-0613-3
17	Compressor Mounting	
	a. Base	606170-9
	b. Rubber Grommet	† 85-0306-9
	c. Sleeve	85-0394-9
	d. Bolt	50-0481-9
	e. Nut	50-0482-9
18	Clamp, Expansion Valve Bulb	56-5052-9
19	Copper Bulb Strap	30-0050-3
20	Screw, #10-24 x 0.50	52-0206-9

i500 Refrigeration Compartment – Air-Cooled



DESCRIPTION

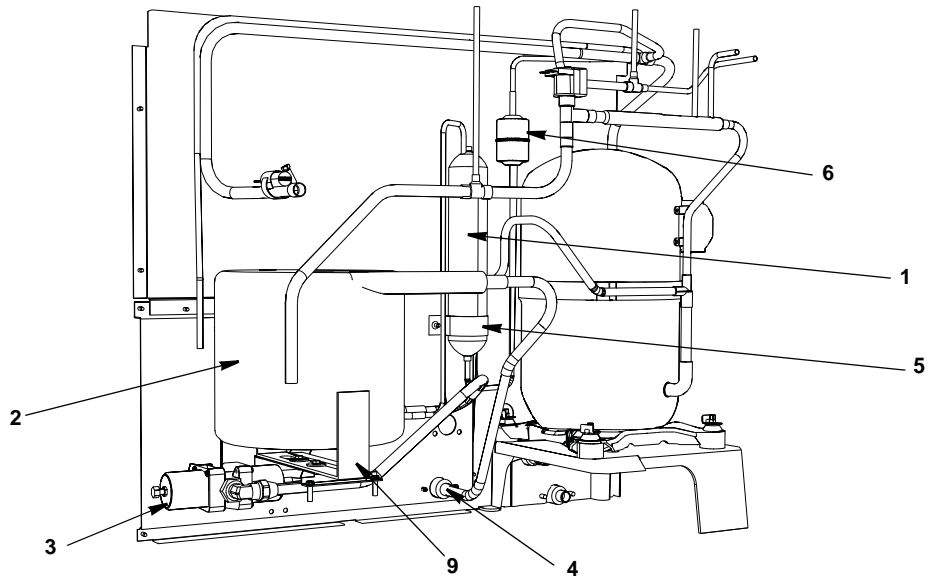
	DESCRIPTION	PART NO.
1	Air Condenser	82-5213-9
	a. R290 230V/50 Hz/1ph	000008785
	b. R290 230V/50 Hz/1ph Air Condenser Mounting Plates (2)	000009061
2	Fan Motor	
	a. 115V/60 Hz	24-1292-9
	b. 208-230V/60 Hz or 230V/50 Hz	24-1293-9
3	Fan Blade	24-1620-3

Miscellaneous – Brackets, Screws, etc.

4	Fan Shroud	000002484
	a. R290 230V/50 Hz/1ph	000008921
5	Fan Motor Bracket	606186-9
6	Fan Motor Mounting Screw	† 50-3358-9
	a. Fan Motor Mounting Lockwasher	† 55-4510-9
	b. Fan Motor Mounting Hexnut	† 54-2952-9
7	Fan Bracket Mounting	
	a. Screw	50-3238-9
	b. Lockwasher	† 55-4510-9
	c. Flatwasher	† 55-7305-9
	d. Rubber Wellnut	† 54-2955-9
8	Screw, #10-24 x 0.50	† 52-0206-9

† Refer to Cross Reference Guide

i500 REFRIGERATION COMPARTMENT – WATER-COOLED



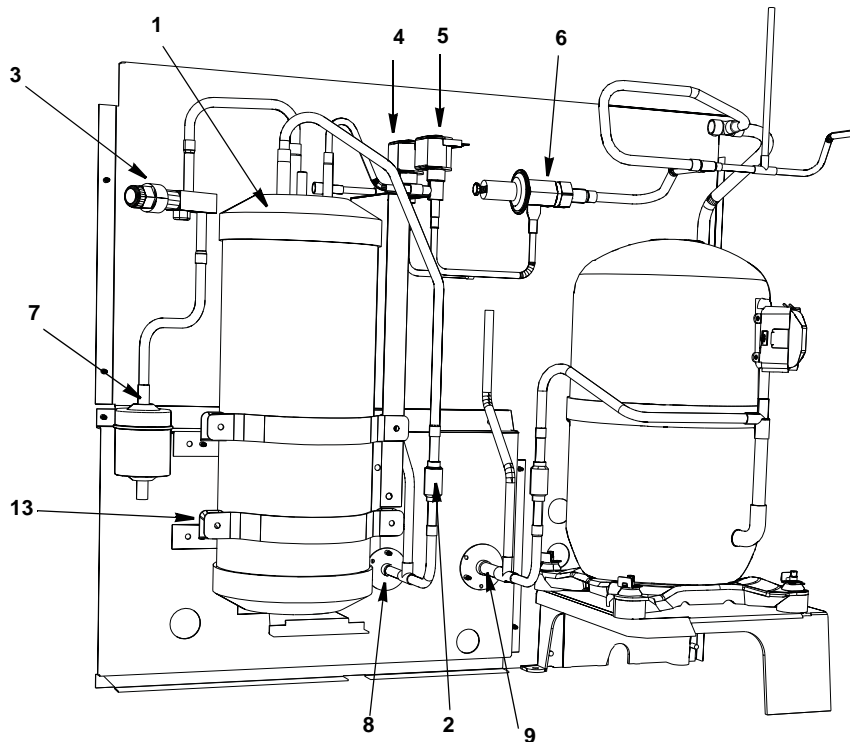
DESCRIPTION

	PART NO.
1 Receiver	12-0003-1
2 Water-cooled Condenser	88-6533-3
3 Water Regulating Valve	82-5282-9
a. Bracket	000007695
4 Condenser Water Drain Female Wing Adapter	87-0608-3

Miscellaneous – Brackets, Screws, etc.

5 Receiver Strap	600054-1
6 Elbow 3/8 MF x 3/8 MPT	50-0215-9
7 Screw, #10-24 x 0.50	52-0206-3
8 Washer	55-7341-9
9 Base, Water Condenser/Receiver	605865-9

i500 REFRIGERATION COMPARTMENT – REMOTE



DESCRIPTION

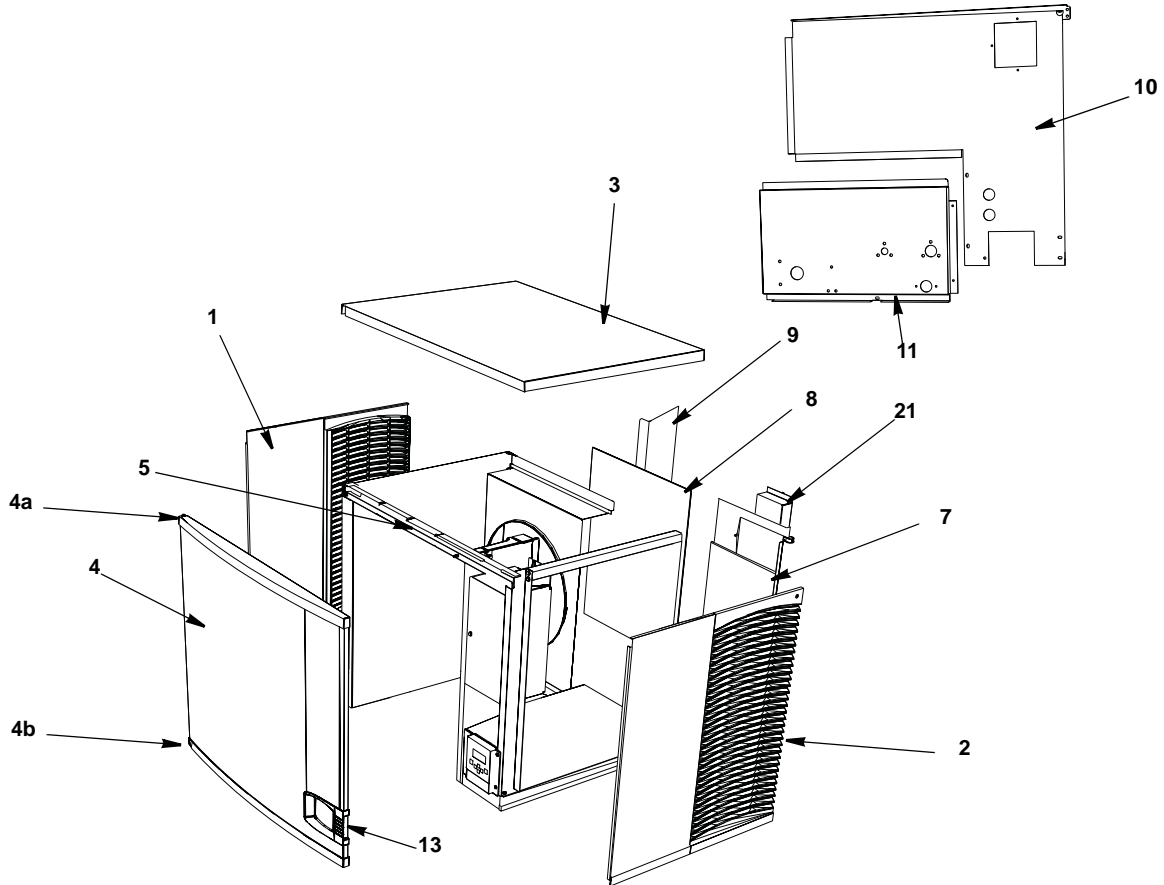
	DESCRIPTION	PART NO.
1	Receiver	82-5058-3
2	Magni-Check Valve	† 83-7314-9
3	Refrigeration Service Valve	† 83-7316-9
	a. Cap for Refrigeration Service Valve	56-5075-9
4	Harvest Pressure Regulating Solenoid (HPR) Valve	
	a. HPR Valve Including 115V 60 Hz Electrical Coil (Danfoss)	000007035
	b. HPR Valve 115V 60 Hz Coil Only Danfoss	000005156
5	Liquid Line Solenoid (LLS) Valve	
	a. LLS Valve Including 115V 60 Hz Electrical Coil (Danfoss)	000007035
	b. LLS Valve 115V 60 Hz Coil Only Danfoss	000005156
6	Harvest Pressure Regulating Valve (HPR)	† 83-6779-3
7	Drier	89-3027-9
8	Coupling – Male, 5/8-18	† 83-6034-3
9	Coupling – Male, 1-1/6-12	† 83-6035-3

Miscellaneous – Brackets, Screws, etc.

10	Coupling Mounting Flange for 5/8-18	83-6005-3
11	Coupling Mounting Flange for 1-1/16-12	83-6006-3
12	Drier Support Bracket	56-5061-9
13	Receiver Mounting	
	a. Bracket (between receiver and panel)	600056-1
	b. Strap	630721-4
	c. Support Bracket	000006721
	d. Base	605865-9
	e. Screw, #10-24 x 0.50	† 52-0206-9

† Refer to Cross Reference Guide

i500 PANELS

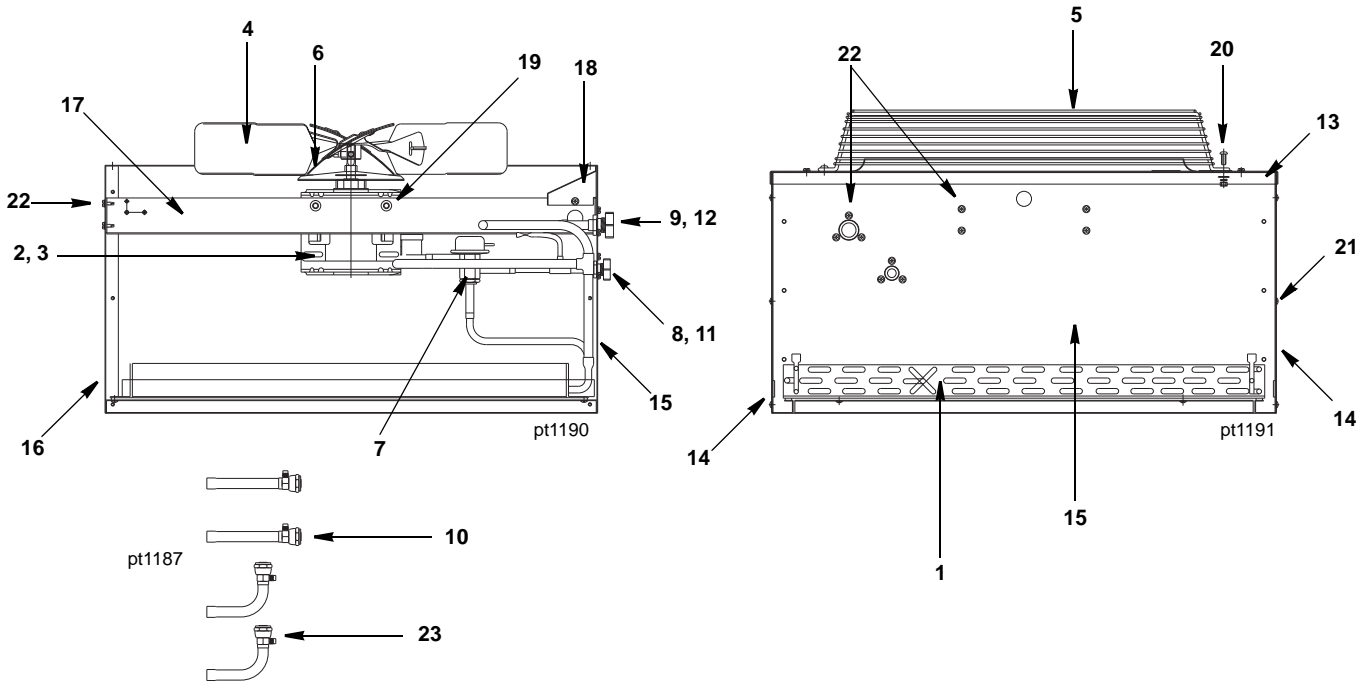


DESCRIPTION

	PART NO.
1 Left Side Panel	000005217
2 Right Side Panel	000005215
3 Top Cover	000006699
4 Front Panel Assembly	000006577
a. Top Endcap	000006538
b. Bottom Endcap	000006539
5 Front Top Support	000006730
Mounting Screw Left Side 8-32 x 1	50-0537-9
Mounting Screw Right Side 10-24 x 0.50	50-0509-9
6 Back Coupling Panel, Drain/Water Connection (Compressor Base)	606170-9
Air-Cooled Back Panels	
7 Back Panel with Electrical Connection Box, Air-cooled Models	606296-9
a. R290 230V/50 Hz/1ph	000008922
8 Air Filter	30-0556-9
a. R290 230V/50 Hz/1ph	000008923
9 Air Baffle Assembly	000007314
Water-Cooled & Remote Air-Cooled Back Panels	
10 Back Panel with Electrical Connection Box	607207-1
11 Back Coupling Panel, Water-Cooled/Remote Connections	606173-9
12 Drain Fitting	87-0608-3
Miscellaneous – Brackets, Screws, etc.	
13 Front Panel LCD Frame	
a. With Key Guard	000006647
b. Without Key Guard	000006564
c. Display Cover (hides the display completely)	K00433
14 Door Screw	50-0489-9
15 Bottom Door Frame	76-0226-3
a. Mounting Screw Left Side 8-32 x 1 PHIL	50-0537-9
b. Mounting Screw Right Side 10/24 x 0.50 PHIL	52-0209-9
16 Left Door Pivot Leaf Hinge (Top or Bottom)	30-0557-9
a. Mounting Screw 8-32 x 1 PHIL	50-0537-9
17 Left Top Channel	606864-9
18 Right Top Channel	606257-9
19 Left Corner Post	606293-9
20 Right Corner Post	606292-9
21 Electrical Box on Rear of Ice Machine	
a. Box with Cover	Included in Back Panel Assembly
b. Terminal Block 3 Pole	20-0614-3
c. Groundscrew #10-24 x 0.50	52-0216-9

Updated: 3/12

JC0495 REMOTE CONDENSER



DESCRIPTION

	PART NO.
1 Air Condenser	† 88-5063-9
2 Fan Motor (115V/60 Hz/1 Ph)	† 76-2942-3
3 Fan Motor Run Capacitor	No Longer Available
4 Fan Blade	24-1611-3
5 Fan Guard	34-0064-3
6 Rain Slinger	24-1505-3
7 Head Pressure Control	000004070
8 Coupling – Male, 5/8-18	† 83-6034-3
9 Coupling – Male, 1-1/6-12	† 83-6035-3
10 Female Line Set Coupling Kit (Sold as Finished Goods Sales Kit)	Sales K0129

Miscellaneous – Brackets, Screws, etc.

11 Coupling Mounting Flange (for 5/8-18)	83-6005-3
12 Coupling Mounting Flange (for 1-1/16-12)	83-6006-3
13 Top Cover	† 601775-1
14 Panel – Side	† 601774-1
15 Panel – Rear	† 601773-1
16 Panel – Front	† 601772-1
17 Fan Motor Mounting Bracket	† 601768-1
18 Electrical Box Cover	† 601776-1
19 Fan Motor Mounting Screw (5/16-18 x 5/8)	† 50-3565-9
a. Fan Motor Mounting Flatwasher	† 55-7309-9
b. Fan Motor Mounting Lockwasher	† 55-7313-9
c. Fan Motor Mounting Hexnut	54-2975-9
20 Fan Guard Mounting Screw (1/4-20 x 5/8)	† 50-3345-9
a. Fan Guard Mounting Flatwasher	† 55-7304-9
b. Fan Guard Mounting Lockwasher	† 55-4511-9
c. Fan Guard Mounting Hexnut	† 54-2952-9
21 Panel/Condenser Mounting Screw (#8 x 1/2)	† 51-2153-9
a. Panel/Condenser Mounting Lockwasher	† 55-4459-9
22 Screw (#10-24 x 1/2)	† 52-0206-9
23 Valve Cores (used in linesets)	76-2684-3