



Ice Machine Parts List for Series i606 Models

iD0606A

iY0606A

iD0606W

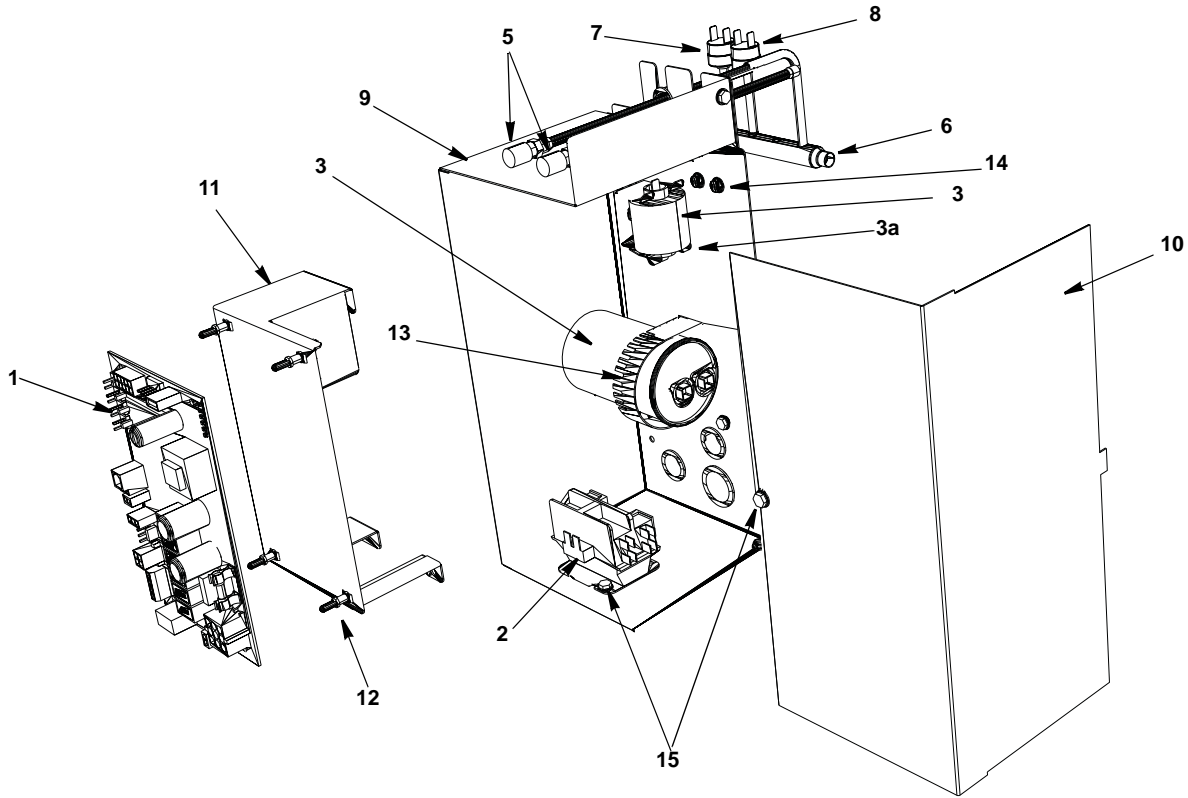
iY0606W

iD0696N

iY0696N

JC0895

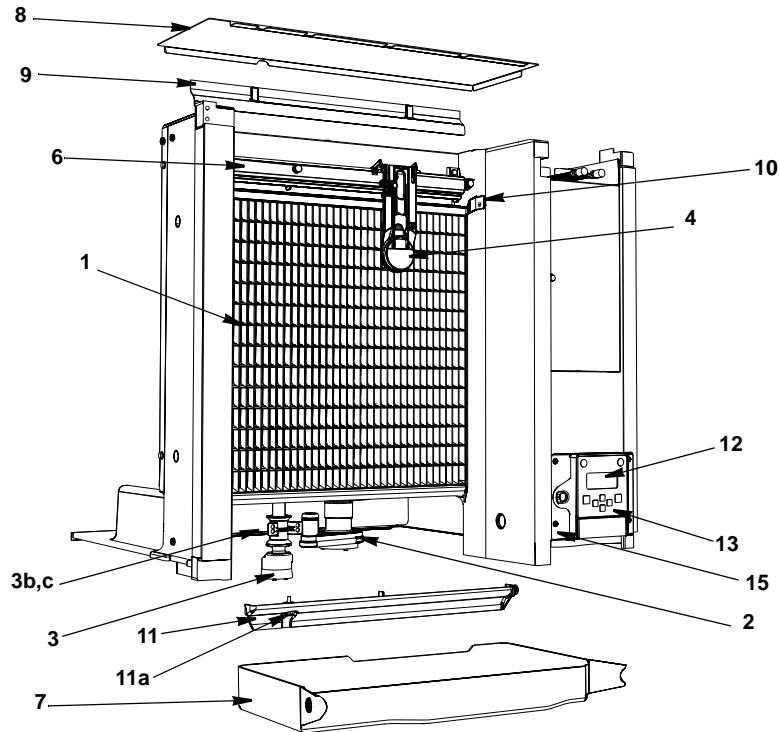
i606 CONTROL BOX



DESCRIPTION

	DESCRIPTION	PART NO.
1	Control Board (for use with all voltages)	000008309
a.	8 amp Ceramic Fuse – Mounted on Control Board	000009181
2	Contactor	
a.	208-230V/60 Hz/1ph or 230V/50 Hz/1ph	2006599
3	PTCR Compressor Starter	8504993
a.	Bracket	8505013
4	Compressor Run Capacitor	
a.	208-230V/50-60 Hz/1ph	2010133
5	Refrigeration Service Valve Assembly	8373263
6	Manifold Strainer	8251049
a.	Bracket	6058571
7	High Pressure Cut-out (Auto Reset)	2001243
8	Fan Cycling Control	† 2001263
	Miscellaneous – Brackets, Screws, etc.	
9	Control Box	000008279
10	Control Box Cover	000007569
11	Control Board Mounting Bracket	000007564
12	Control Board Mounting Supports	4302253
13	Capacitor Mounting Strap	6024953
14	Screws, #10-24 x 0.50 Ground	5202169
a.	Star Washer	5573209
15	Screw, #10-24 x 0.50	5202069
16	Lockwashers	5573209
17	Control Box Bushings	
a.	Large (1)	2500019
b.	Small (4)	2501409
18	Control Box Wiring Harness (Not shown)	
a.	230/60/1	000007179
b.	230/50/1	000007180
c.	Harvest Air Assist Pump	2007439
19	Compressor Compartment Wiring Harness (Not shown)	
a.	Air-cooled	000007178
b.	Water-cooled	000007176
c.	Remote Air-cooled	000007175
20	Terminal Block 3 Pole - 230/50/1 Only	
a.	Air- & Water-cooled	2006143
b.	Remote Air-cooled	000007772

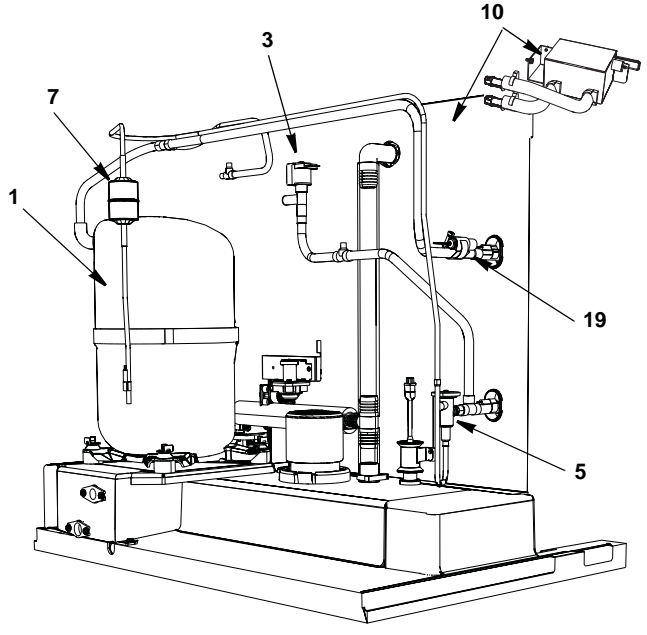
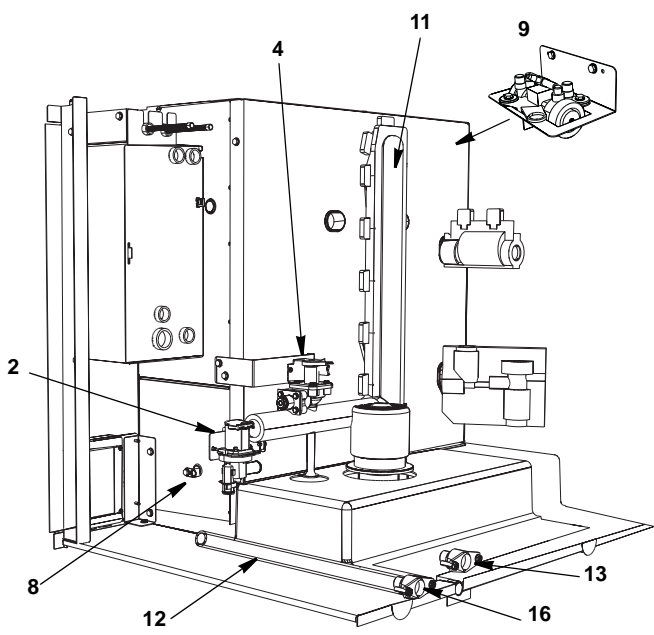
i606 EVAPORATOR COMPARTMENT - COMMON COMPONENTS



DESCRIPTION

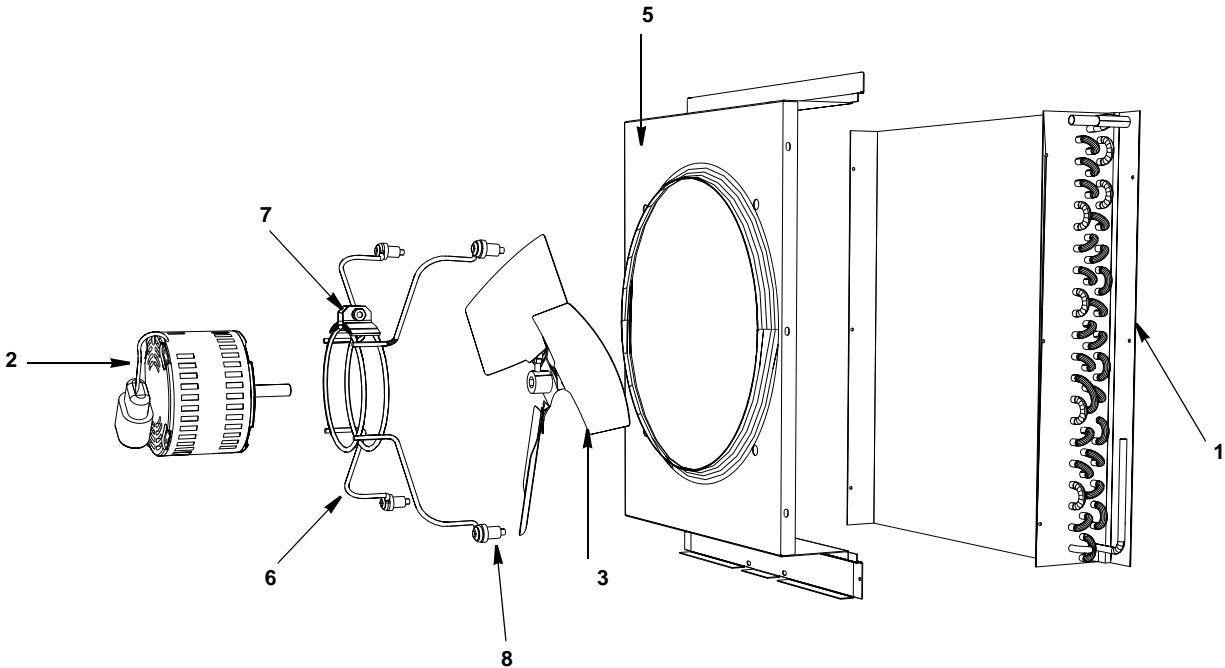
	DESCRIPTION	PART NO.
1	Evaporator Assembly	
	a. Dice Cube	000006859
	b. Half Dice Cube	000006858
2	Water Pump	
	a. 230V/60 Hz 1/3PH	2007399
	b. 230V/50 Hz 1PH	8252109
3	Water Level Probe	000007052
	a. Wire, control box to probe (Not shown)	000007099
	b. Holder	000007053
	c. Screw (Mount Water Level Probe Holder)	5202099
4	Ice Thickness Control Probe	000008660
5	Water Curtain (Not shown)	4010979
6	Water Distribution Tube Assembly	7602193
	a. O-rings (Back of Distribution Assembly)	5004649
7	Water Trough	4003609
8	Foodzone Seal Panel	000007613
9	Evaporator Top Filler Panel	4008469
	a. Stainless Steel Clamp	6063339
	b. Clamp Screw	5202099
10	Evaporator Top Frame Assembly	7602203
11	Water Diverter	7602213
	a. Thumbscrew	5305123
12	LCD Display	000006728
13	Touch Pad with Housing	000007926
14	LCD Wiring Harness (Not shown)	000007737
15	Touch Pad/Housing Mounting Bracket	000006697
16	Front Panel LCD Frame	
	a. With Key Guard	000006647
	b. Without Key Guard	000006564
	c. Display Cover (hides the display completely)	K00433
17	Ice Deflector (Not shown)	000006700
Miscellaneous – Brackets, Screws, etc.		
18	Screw, (Water Distribution Tube Mounting) Each	5004799
	a. O-ring	5004629
19	Screw, #12-16 x 0.687 Used to Mount Evaporator (Each)	5004619
20	Water Pump Base O-ring	5004659
21	Water Pump Outlet O-ring	5004679

i606 REFRIGERATION COMPARTMENT – COMMON PARTS



DESCRIPTION	PART NO.
1 Compressor	
a. 208-230V/60 Hz/1 Ph	000009307
b. 220V/50 Hz/1 Ph	000009959
c. Molded Plug	000009960
2 Water Dump Valve (with bracket)	
a. 208-230V/50-60 Hz	000001768
b. Mounting Bracket	6058459
c. Dump Valve Tubing 3.25 inches	4420383
3 Harvest Valve	
a. Harvest Valve Including 208-230V / 50-60 Hz Electrical Coil	000007019
b. Harvest Valve 208-230V Coil Only - Danfoss	000005157
4 Water Inlet Valve	
a. Water Inlet Valve Including 208-230V / 50-60 Hz Coil	000007966
b. Water Inlet Valve Bracket	000007594
5 Expansion Valve	
a. Air-cooled	7601583
a. Water-cooled & Remote	7600193
a. Expansion Valve Body Insulation Boot	4000363
b. Expansion Valve Bulb Insulation Boot	4007203
6 Thermistors with Spring Clips	000008310
7 Drier	
a. Air & Water-cooled	8930259
b. Remote	8930279
8 Magnetic Bin Switch	000007888
a. Wiring Harness	000007410
9 Air Assist	
a. 230V with brackets	000007223
b. Manifold Tee (Air Pump Tubing Outlet)	4011739
c. Bracket	000006489
d. Nozzle	3001453
10 LuminIce	K00424
a. LuminIce Bulb	K00425
b. LuminIce Wiring Harness	000007409
c. Bulkhead Fitting 2.25"	000007990
d. Bulkhead Fitting 2.75"	000008269
11 Insulated Tube (vinyl tubing from distribution tube to water pump & dump valve)	000003405
a. Clamp 0.859/0.989 ID	5650603
b. Clamp 0.799/0.899 ID	5650703
12 Vinyl Tubing 0.625 ID (dump valve to drain adapter)	000001382
a. Insulation	6038831
b. Clamp	5650709
Miscellaneous – Brackets, Screws, etc.	
13 Water Inlet Wing Adapter	8706093
a. Adapter Plastic Fitting	1360961
14 Water Inlet Valve Tubing	4010439
15 Connector Water Inlet Valve	1360989
16 Water Drain Wing Adapter	8706133
17 Compressor Mounting	
a. Base	6061709
b. Rubber Grommet	† 8503069
c. Sleeve	8503949
d. Bolt	5004819
e. Nut	5004829
18 Clamp, Expansion Valve Bulb	5650529
19 Copper Bulb Strap	3000503
20 Screw, #10-24 x 0.50	5202069

i606 REFRIGERATION COMPARTMENT – Air-cooled



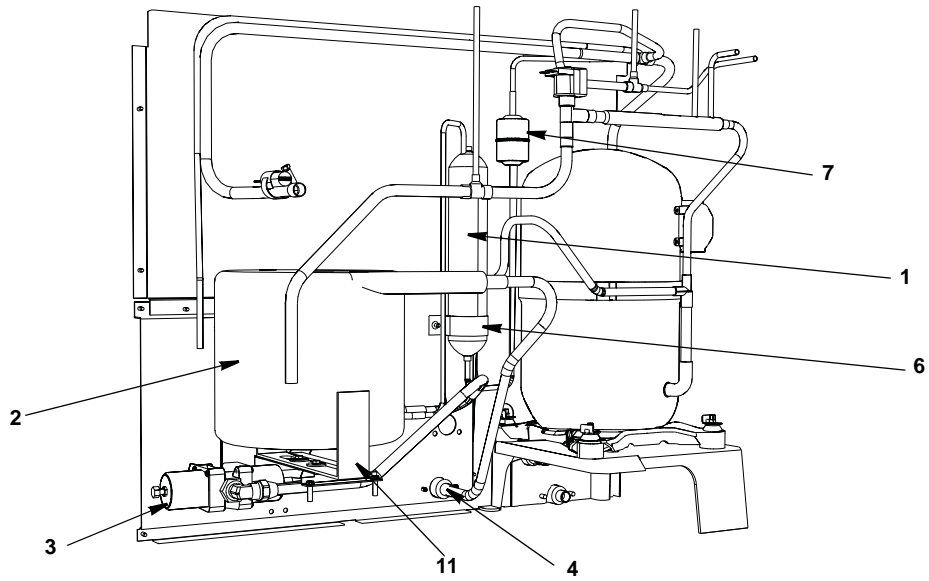
DESCRIPTION

	DESCRIPTION	PART NO.
1	Air Condenser	8252949
2	Fan Motor	
	a. 208-230V/60 Hz or 230V/50 Hz	000002315
3	Fan Blade	2416173
4	Heat Exchanger	000009960

Miscellaneous – Brackets, Screws, etc.

5	Fan Shroud	000002485
6	Fan Motor Bracket	6061869
7	Fan Motor Mounting Screw	† 5033589
	a. Fan Motor Mounting Lockwasher	† 5545109
	b. Fan Motor Mounting Hexnut	† 5429529
8	Fan Bracket Mounting	
	a. Screw	5032389
	b. Lockwasher	† 5545109
	c. Flatwasher	† 5573059
	d. Rubber Wellnut	† 5429559
9	Screw, #10-24 x 0.50	† 5202069

i606 REFRIGERATION COMPARTMENT – Water-cooled



DESCRIPTION

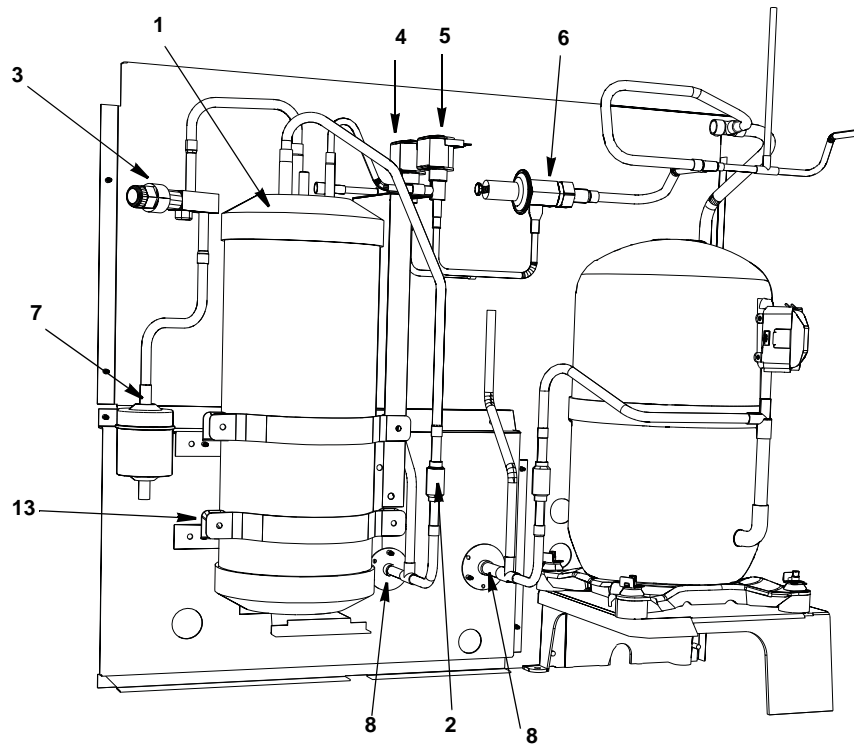
	PART NO.
1 Receiver	000008892
2 Water-cooled Condenser	8253039
3 Water Regulating Valve	000007546
4 Condenser Water Drain Female Wing Adapter	8706083
5 Heat Exchanger	000009960

Miscellaneous – Brackets, Screws, etc.

6 Receiver Strap	6000541
7 Elbow 1/2 MF x 3/8 MPT	5002249
8 Screw, #10-24 x 0.50	5202063
9 Washer	5573419
10 Water Supply Hose	000001220
11 Base, Water Condenser/Receiver	6058659

† Refer to Cross Reference Guide

i606 REFRIGERATION COMPARTMENT – Remote



DESCRIPTION

PART NO.

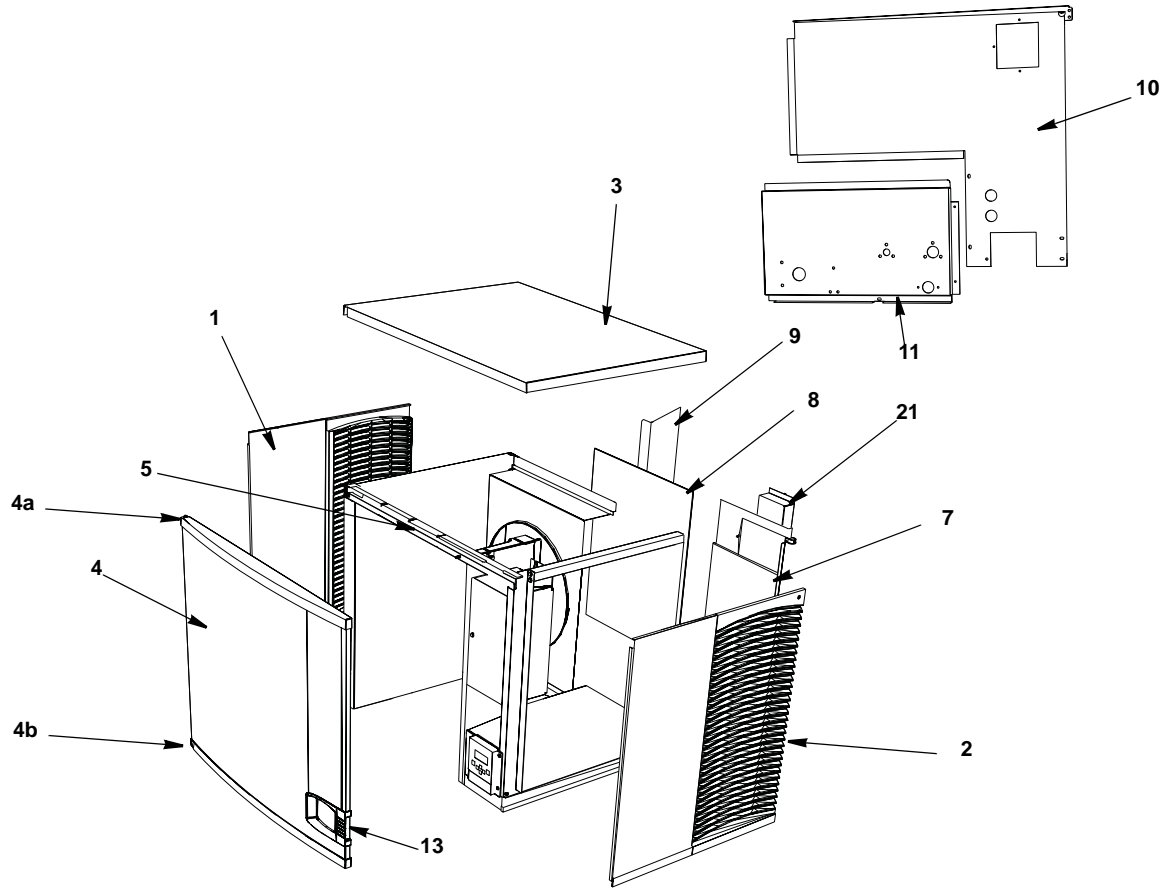
1	Receiver	8250583
2	Magni-Check Valve	† 8373149
3	Refrigeration Service Valve	† 8373169
	a. Cap for Refrigeration Service Valve	5650759
4	Harvest Pressure Regulating Solenoid (HPR) Valve	
	a. HPR Valve Including 230V/50-60 Hz Electrical Coil (Danfoss).	000007034
	b. HPR Valve 230V/50-60 Hz Coil Only Danfoss	000005157
5	Liquid Line Solenoid (LLS) Valve	
	a. LLS Valve Including 230V/50-60 Hz Electrical Coil (Danfoss)	000007032
	b. LLS Valve 230V/50-60 Hz Coil Only Danfoss.	000005157
6	Harvest Pressure Regulating Valve (HPR)	† 8367793
7	Drier	8930279
8	Coupling – Male, 1-1/6-12	† 8360353
9	Heat Exchanger	000009958

Miscellaneous – Brackets, Screws, etc.

10	Coupling Mounting Flange for 5/8-18.	8360053
11	Coupling Mounting Flange for 1-1/16-12	8360063
12	Drier Support Bracket.	5650619
13	Receiver Mounting	
	a. Bracket (between receiver and panel)	6063141
	b. Straps - Mounting Brackets.	6063031
	c. Support Bracket	000006655
	d. Base	6063041
	e. Screw, #10-24 x 0.50	† 5202069

† Refer to Cross Reference Guide

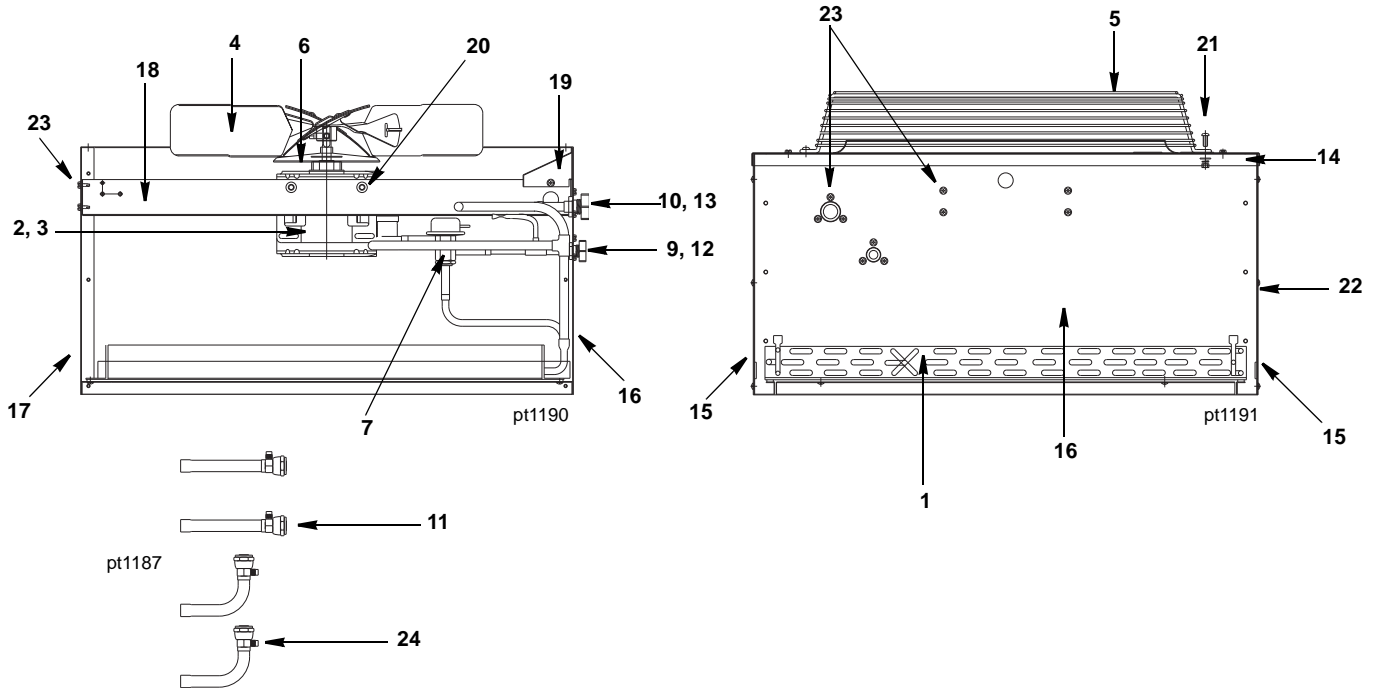
i606 PANELS



DESCRIPTION

	PART NO.
1 Left Side Panel	00005217
2 Right Side Panel	00005215
3 Top Cover	00006699
4 Front Panel Assembly	00006577
a. Top Endcap	00006538
b. Bottom Endcap	00006539
5 Front Top Support	00006730
Mounting Screw Left Side 8-32 x 1	5005379
Mounting Screw Right Side 10-24 x 0.50	5005099
6 Back Coupling Panel, Drain/Water Connection (Compressor Base)	6061709
Air-cooled Back Panels	
7 Back Panel with Electrical Connection Box, Air-cooled Models	00009146
8 Air Filter	3005689
9 Air Baffle Assembly	00007314
Water-cooled & Remote Air-cooled Back Panels	
10 Back Panel with Electrical Connection Box	00009153
11 Back Coupling Panel, Water-cooled/Remote Connections	6061739
12 Drain Fitting	8706083
Miscellaneous – Brackets, Screws, etc.	
13 Front Panel LCD Frame	00006647
a. With Key Guard	00006564
b. Without Key Guard	K00433
c. Display Cover (hides the display completely)	5004899
14 Door Screw	7602263
15 Bottom Door Frame	5005379
a. Mounting Screw Left Side 8-32 x 1 PHIL	5202099
b. Mounting Screw Right Side 10-24 x 0.50 PHIL	3005579
16 Left Door Pivot Leaf Hinge (Top or Bottom)	5005379
a. Mounting Screw 8-32 x 1 PHIL	6068649
17 Left Top Channel	6062579
18 Right Top Channel	6062939
19 Left Corner Post	6062929
20 Right Corner Post	6062929
21 Electrical Box on Rear of Ice Machine	
a. Box with Cover	Included in Back Panel Assembly
b. Groundscrew #10-24 x 0.50	5202169

JC0895 REMOTE CONDENSER



DESCRIPTION

	PART NO.
1 Air Condenser	† 8850629
2 Fan Motor (208-230V / 50-60 Hz/1 Ph)	† 7629413
3 Fan Motor Run Capacitor (Emerson)	8504583
3 Fan Motor Run Capacitor (Magnatec)	No Longer Available
4 Fan Blade	2416113
5 Fan Guard	3400643
6 Rain Slinger	2415053
7 Head Pressure Control	000004070
8 Terminal Block	000008040
9 Coupling – Male, 5/8-18	† 8360343
10 Coupling – Male, 1-1/6-12	† 8360353
11 Female Line Set Coupling Kit (Sold as Finished Goods Sales Kit)	Sales K0129

Miscellaneous – Brackets, Screws, etc.

12 Coupling Mounting Flange (for 5/8-18)	8360053
13 Coupling Mounting Flange (for 1-1/16-12)	8360063
14 Top Cover	† 6017751
15 Panel – Side	† 6017741
16 Panel – Rear	† 6017731
17 Panel – Front	† 6017721
18 Fan Motor Mounting Bracket	† 6017681
19 Electrical Box Cover	† 6017761
20 Fan Motor Mounting Screw (5/16-18 x 5/8)	† 5035659
a. Fan Motor Mounting Flatwasher	† 5573099
b. Fan Motor Mounting Lockwasher	† 5573139
c. Fan Motor Mounting Hexnut	5429759
21 Fan Guard Mounting Screw (1/4-20 x 5/8)	† 5033459
a. Fan Guard Mounting Flatwasher	† 5573049
b. Fan Guard Mounting Lockwasher	† 5545119
c. Fan Guard Mounting Hexnut	† 5429529
22 Panel/Condenser Mounting Screw (#8 x 1/2)	† 5121539
a. Panel/Condenser Mounting Lockwasher	† 5544599
23 Screw (#10-24 x 1/2)	† 5202069
24 Valve Cores (used in line sets)	7626843
25 Legs (Not shown) (4 Req)	† 6017691

† Refer to Cross Reference Guide