



Ice Machine Parts List for Series i-850 Models

iD0852A

iY0854A

iD0853W

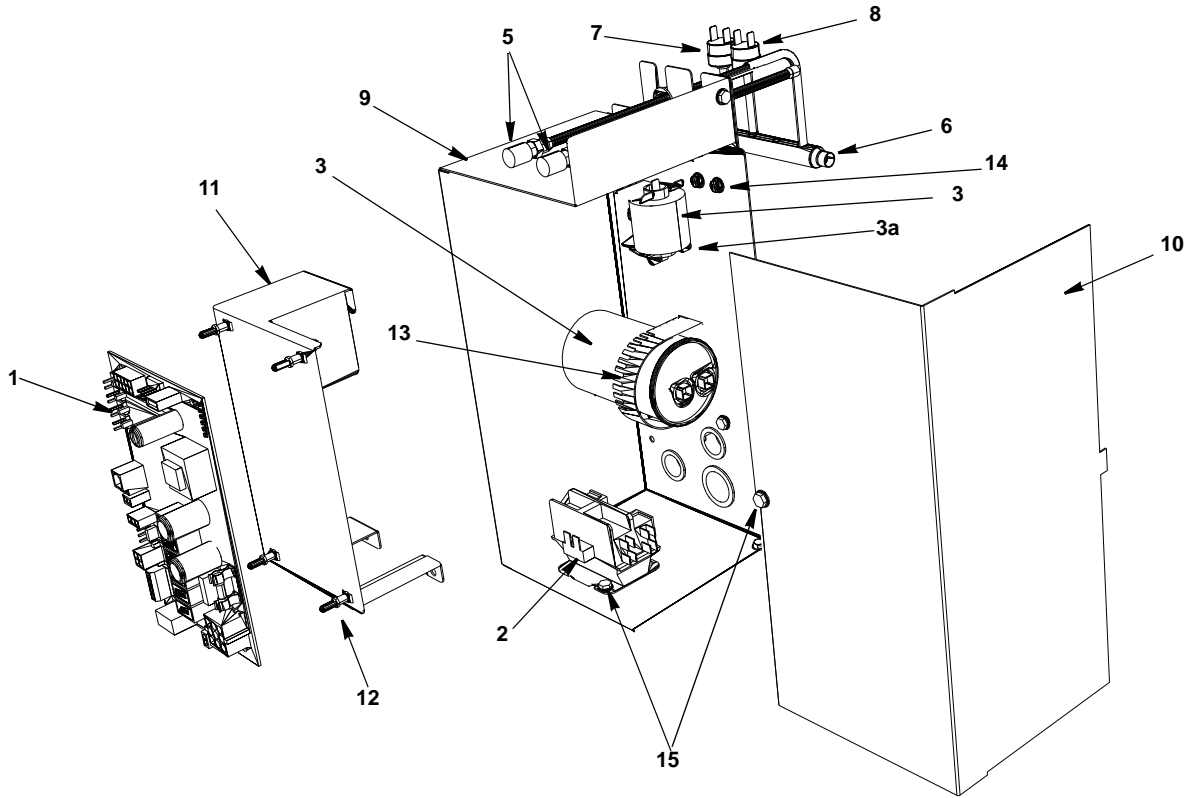
iY0855W

iD0892N

iY0894N

JC0895

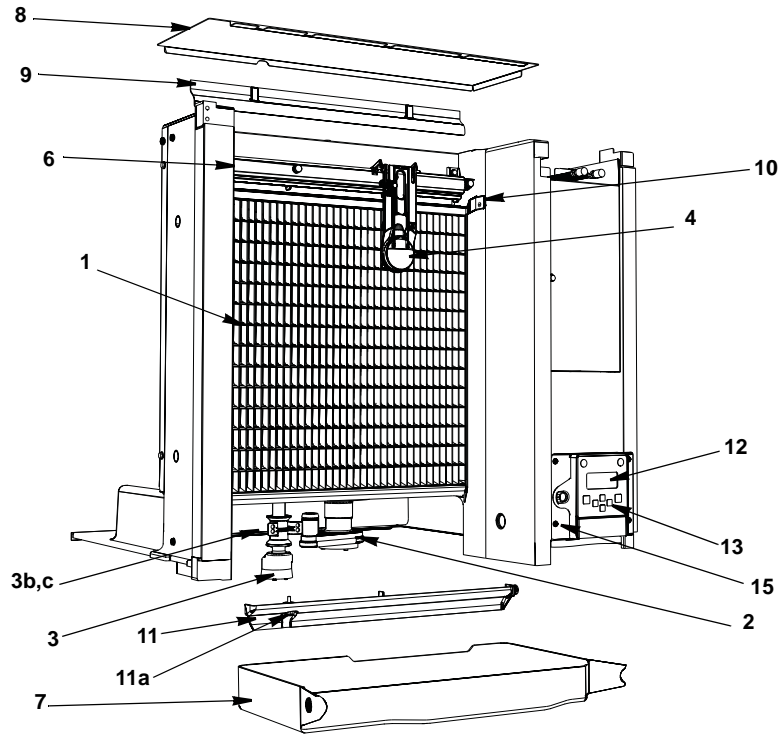
i850 CONTROL BOX



DESCRIPTION

DESCRIPTION	PART NO.
1 Control Board (for use with all voltages)	00008309
a. 8 amp Ceramic Fuse – Mounted on Control Board	00009181
2 Contactors	
a. 208-230V/60 Hz/1ph or 230V/50 Hz/1ph	20-0659-9
b. 230V/60 Hz/3ph	20-0661-9
3 PTCR Compressor Starter	85-0499-3
a. Bracket	85-0501-3
4 Compressor Run Capacitor	
a. 208-230V/50-60 Hz/1ph	85-0393-3
5 Refrigeration Service Valve Assembly	83-7326-3
6 Manifold Strainer	82-5104-9
a. Bracket	605857-1
7 High Pressure Cut-out (Auto Reset)	20-0124-3
8 Fan Cycling Control	† 20-0126-3
Miscellaneous – Brackets, Screws, etc.	
9 Control Box	00008279
10 Control Box Cover	00007569
11 Control Board Mounting Bracket	00007564
12 Control Board Mounting Supports	43-0225-3
13 Capacitor Mounting Strap	602495-3
14 Screws, #10-24 x .50 Ground.	52-0216-9
a. Star Washer	55-7320-9
15 Screw, #10-24 x .50	52-0206-9
16 Lockwashers	55-7320-9
17 Control Box Bushings	
a. Large (1)	25-0001-9
b. Small (4)	25-0140-9
18 Control Box Wiring Harness (Not shown)	
a. 230/60/1	00007179
b. 230/50/1	00007180
c. 230/60/3	00007181
19 Compressor Compartment Wiring Harness (Not shown)	
a. Air-cooled	00007185
b. Water-cooled	00007177
c. Remote Air-cooled	00007184

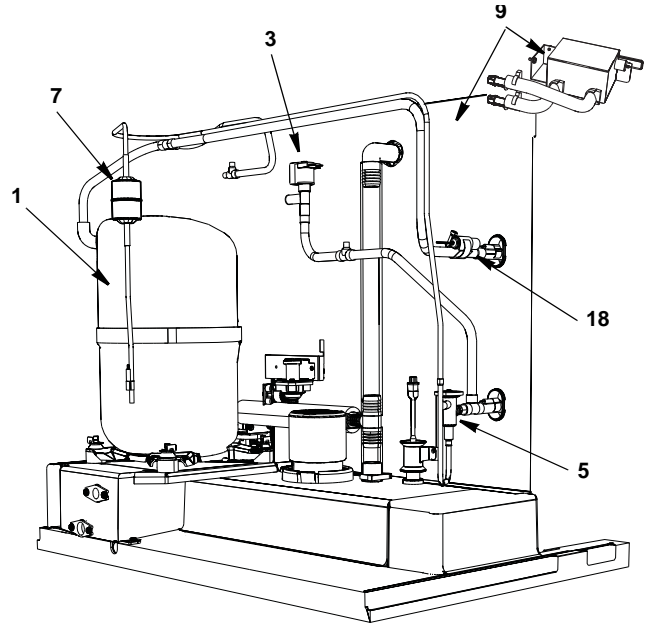
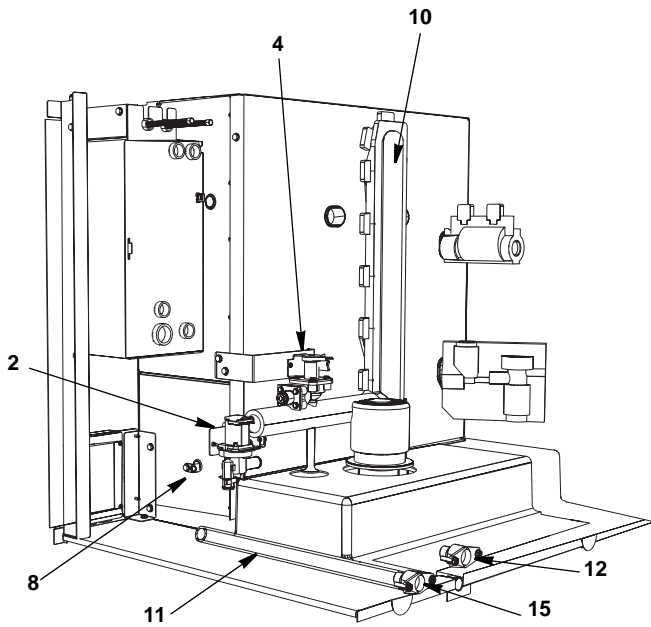
i850 EVAPORATOR COMPARTMENT - COMMON COMPONENTS



DESCRIPTION

	DESCRIPTION	PART NO.
1	Evaporator Assembly	
	a. Dice Cube	76-0216-3
	b. Half Dice Cube	76-0217-3
2	Water Pump	
	a. 230V/60 Hz 1/3PH	82-5113-9
	b. 230/50/1	82-5270-9
3	Water Level Probe.	000007052
	a. Wire, control box to probe (Not shown).	000007724
	b. Holder	000007053
	c. Screw (Mount Water Level Probe Holder)	52-0209-9
4	Ice Thickness Control Probe.	000008660
5	Water Curtain (Not shown)	40-1098-9
6	Water Distribution Tube Assembly	76-0219-3
	a. O-Rings (Back of Distribution Assembly)	50-0464-9
7	Water Trough	40-0360-9
8	Foodzone Seal Panel	000007613
9	Evaporator Top Filler Panel	40-0846-9
	a. Stainless Steel Clamp	606333-9
	b. Clamp Screw.	52-0209-9
10	Evaporator Top Frame Assembly	76-0220-3
11	Water Diverter.	76-0221-3
	a. Thumbscrew	53-0512-3
12	LCD Display	000006728
13	Touch Pad with Housing	000007926
14	LCD Wiring Harness (Not shown).	000007737
15	Touch Pad/Housing Mounting Bracket	000006697
16	Front Panel LCD Frame	
	a. With Key Guard.	000006647
	b. Without Key Guard	000006564
	c. Display Cover (hides the display completely).	K00433
17	Ice Deflector (Not shown)	000006700
Miscellaneous – Brackets, Screws, etc.		
18	Screw, (Water Distribution Tube Mounting) Each	50-0479-9
	a. O-Ring.	50-0462-9
19	Screw, #12-16 x .687 Used to Mount Evaporator (Each)	50-0461-9
20	Water Pump Base O-Ring	50-0465-9
21	Water Pump Outlet O-Ring.	50-0467-9

i850 REFRIGERATION COMPARTMENT – COMMON PARTS

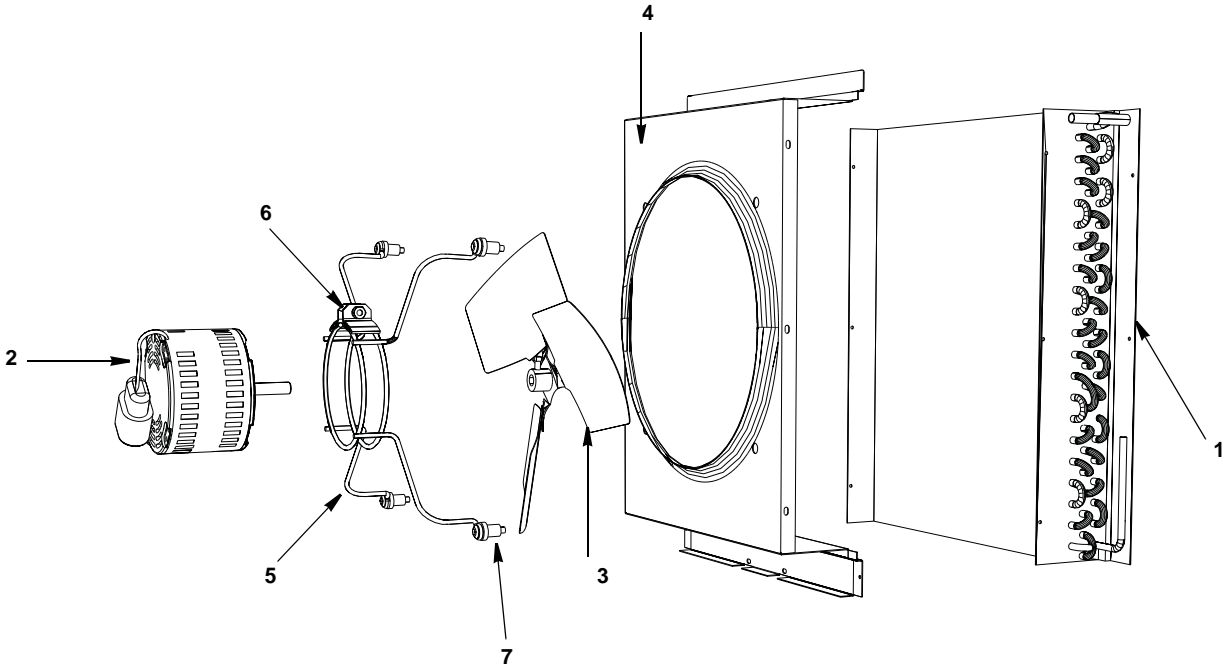


DESCRIPTION

PART NO.

1 Compressor		
a. 208-230V/50-60 Hz/1 Ph.		000008723
a. 208-230V/60 Hz/3 Ph.		000008724
b. Molded Plug		20-0623-3
2 Water Dump Valve (with bracket)		
a. 208-230V/50-60 Hz.		000001768
b. Mounting Bracket		605845-9
c. Dump Valve Tubing 3.25 inches		44-2038-3
3 Harvest Valve		
a. Harvest Valve Including 208/230V 50/60 Hz Electrical Coil		000007015
b. Harvest Valve 208/230V Coil Only Danfoss		000005157
4 Water Inlet Valve		
a. Water Inlet Valve Including 208-230V/50-60 Hz Coil		000007966
b. Water Inlet Valve Bracket		000007594
5 Expansion Valve		
a. Expansion Valve Body Insulation Boot		76-0225-3
b. Expansion Valve Bulb Insulation Boot		40-0036-3
6 Thermistors with Spring Clips		40-0720-3
7 Drier		000008310
8 Magnetic Bin Switch		89-3027-9
a. Wiring Harness		000007888
9 LuminIce.		000007410
a. LuminIce Bulb		K00424
b. LuminIce Wiring Harness		K00425
c. Bulkhead Fitting 2.25"		000007409
d. Bulkhead Fitting 2.75"		000007990
10 Insulated Tube (vinyl tubing from distribution tube to water pump & dump valve).		000008269
a. Clamp 0.859/0.989 ID.		000003406
b. Clamp 0.799/0.899 ID.		56-5060-3
11 Vinyl Tubing 0.625 ID (dump valve to drain adapter).		56-5070-3
a. Insulation.		000001382
b. Clamp		603883-1
		56-5070-9
Miscellaneous – Brackets, Screws, etc.		
12 Water Inlet Wing Adapter.		87-0609-3
a. Adapter Plastic Fitting.		13-6096-1
13 Water Inlet Valve Tubing		40-1043-9
14 Connector Water Inlet Valve		13-6098-9
15 Water Drain Wing Adapter.		87-0613-3
16 Compressor Mounting		
a. Base		606170-9
b. Rubber Grommet		† 85-0306-9
c. Sleeve		85-0394-9
d. Bolt		50-0481-9
e. Nut		50-0482-9
17 Clamp, Expansion Valve Bulb		56-5052-9
18 Copper Bulb Strap		30-0050-3
19 Screw, #10-24 x .50.		52-0206-9

i850 Refrigeration Compartment – Air-Cooled



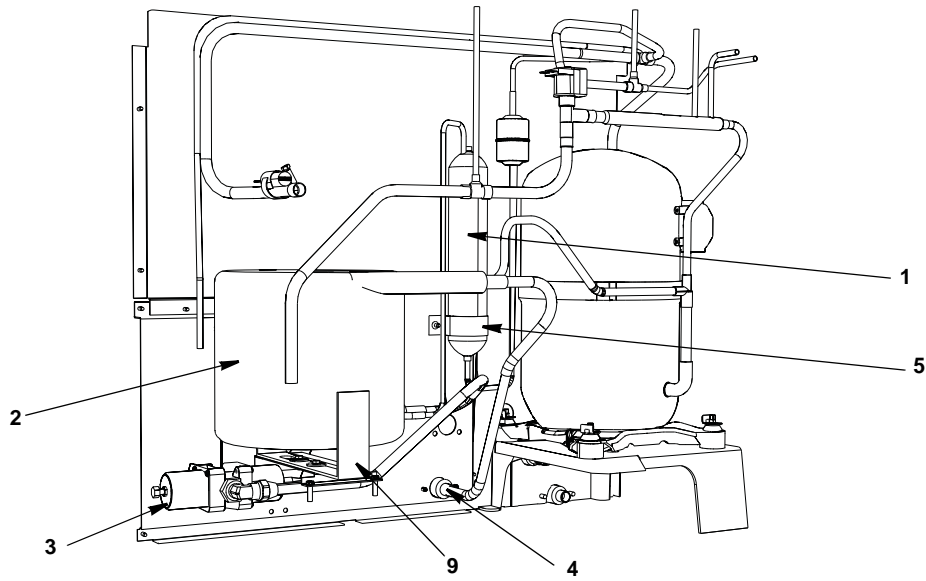
DESCRIPTION

	DESCRIPTION	PART NO.
1	Air Condenser	82-5239-9
2	Fan Motor	
	a. 208-230V/60 Hz or 230V/50 Hz	000003033
3	Fan Blade.....	24-1612-3

Miscellaneous – Brackets, Screws, etc.

4	Fan Shroud	605811-9
5	Fan Motor Bracket	30-0684-3
6	Fan Motor Mounting Screw	† 50-3358-9
	a. Fan Motor Mounting Lockwasher	† 55-4510-9
	b. Fan Motor Mounting Hexnut	† 54-2952-9
7	Fan Bracket Mounting	
	a. Screw	50-3238-9
	b. Lockwasher.....	† 55-4510-9
	c. Flatwasher	† 55-7305-9
	d. Rubber Wellnut	† 54-2955-9
8	Screw, #10-24 x .50	† 52-0206-9

i850 REFRIGERATION COMPARTMENT – WATER-COOLED



DESCRIPTION

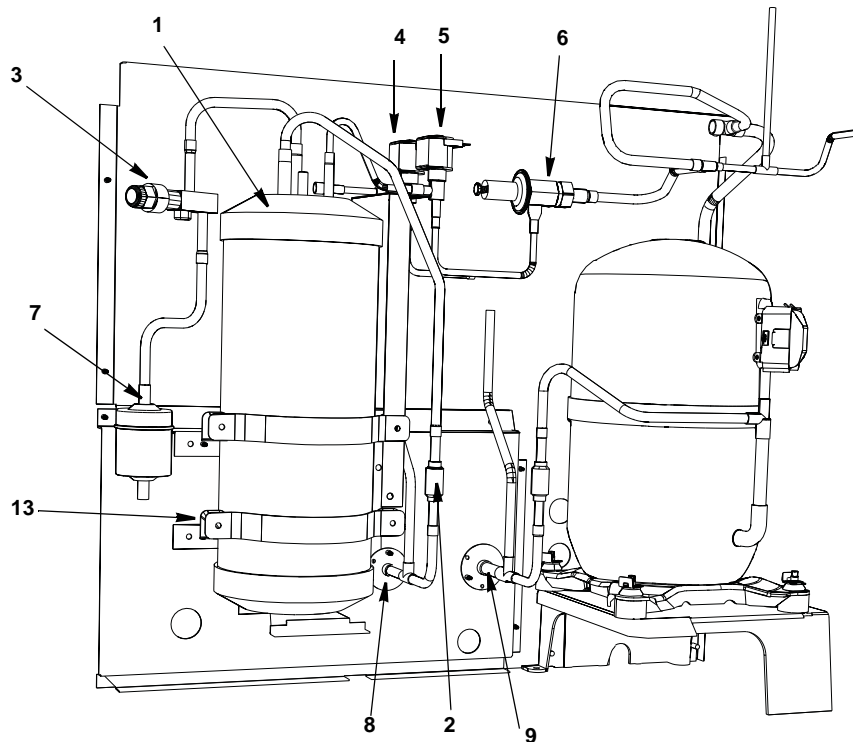
	PART NO.
1 Receiver	89-0012-3
2 Water-cooled Condenser	000001507
3 Water Regulating Valve	83-4206-9
a. Bracket	000007695
4 Condenser Water Drain Female Wing Adapter	87-0608-3

Miscellaneous – Brackets, Screws, etc.

5 Receiver Strap	600054-1
6 Elbow 3/8 MF x 3/8 MPT	50-0215-9
7 Screw, #10-24 x .50	52-0206-3
8 Washer	55-7341-9
9 Base, Water Condenser/Receiver	605865-9

† Refer to Cross Reference Guide

i850 REFRIGERATION COMPARTMENT – REMOTE



DESCRIPTION

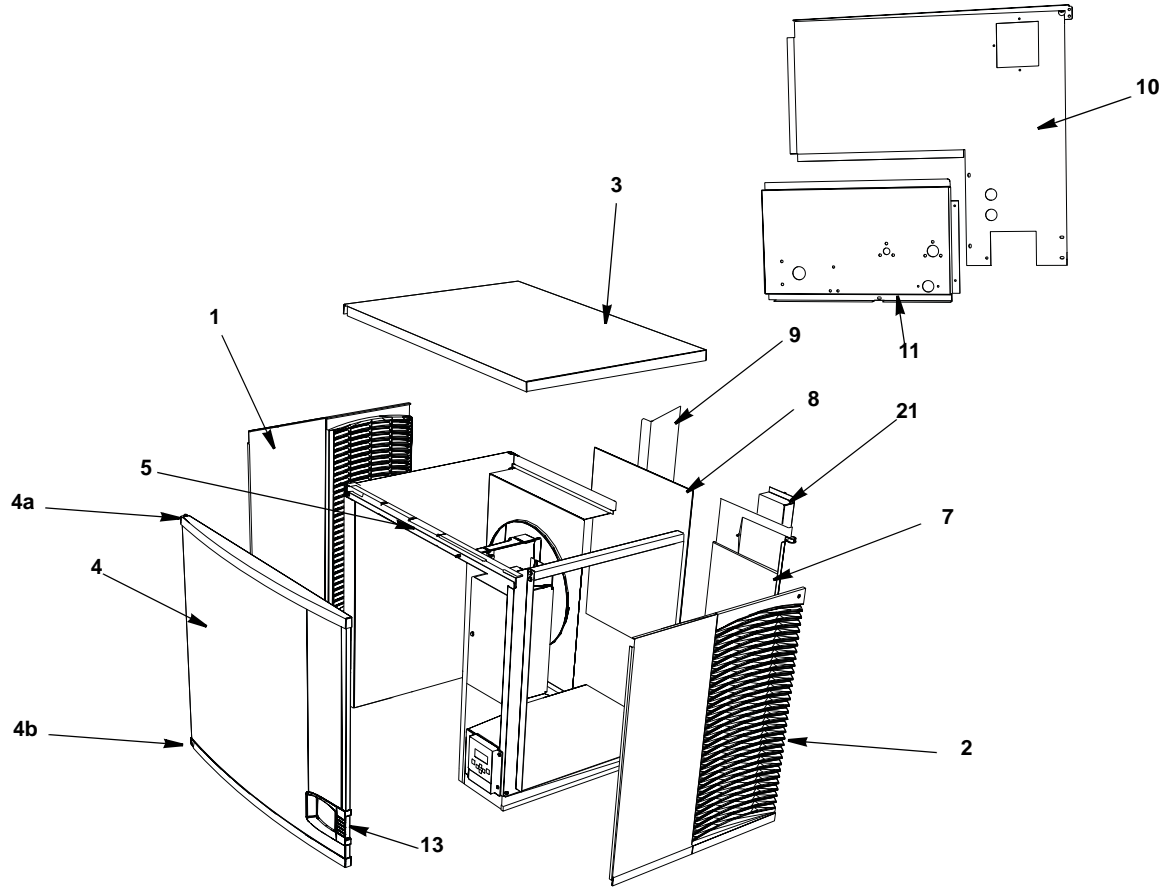
	DESCRIPTION	PART NO.
1	Receiver	89-0000-3
2	Magni-Check Valve	† 83-7314-9
3	Refrigeration Service Valve	† 83-7316-9
	a. Cap for Refrigeration Service Valve	56-5075-9
4	Harvest Pressure Regulating Solenoid (HPR) Valve	
	a. HPR Valve Including 230V 50-60 Hz Electrical Coil (Danfoss)	000007032
	b. HPR Valve 230V 50-60 Hz Coil Only Danfoss	000005157
5	Liquid Line Solenoid (LLS) Valve	
	a. LLS Valve Including 230V 50-60 Hz Electrical Coil (Danfoss)	000007034
	b. LLS Valve 230V 50-60 Hz Coil Only Danfoss	000005157
6	Harvest Pressure Regulating Valve (HPR)	† 83-6779-3
7	Drier	89-3027-9
8	Coupling – Male, 5/8-18	† 83-6034-3
9	Coupling – Male, 1-1/6-12	† 83-6035-3

Miscellaneous – Brackets, Screws, etc.

10	Coupling Mounting Flange for 5/8-18	83-6005-3
11	Coupling Mounting Flange for 1-1/16-12	83-6006-3
12	Drier Support Bracket	56-5061-9
13	Receiver Mounting	
	a. Bracket (between receiver and panel)	600056-1
	b. Strap	630721-4
	c. Support Bracket	000006721
	d. Base	605865-9
	e. Screw, #10-24 x .50	† 52-0206-9

† Refer to Cross Reference Guide

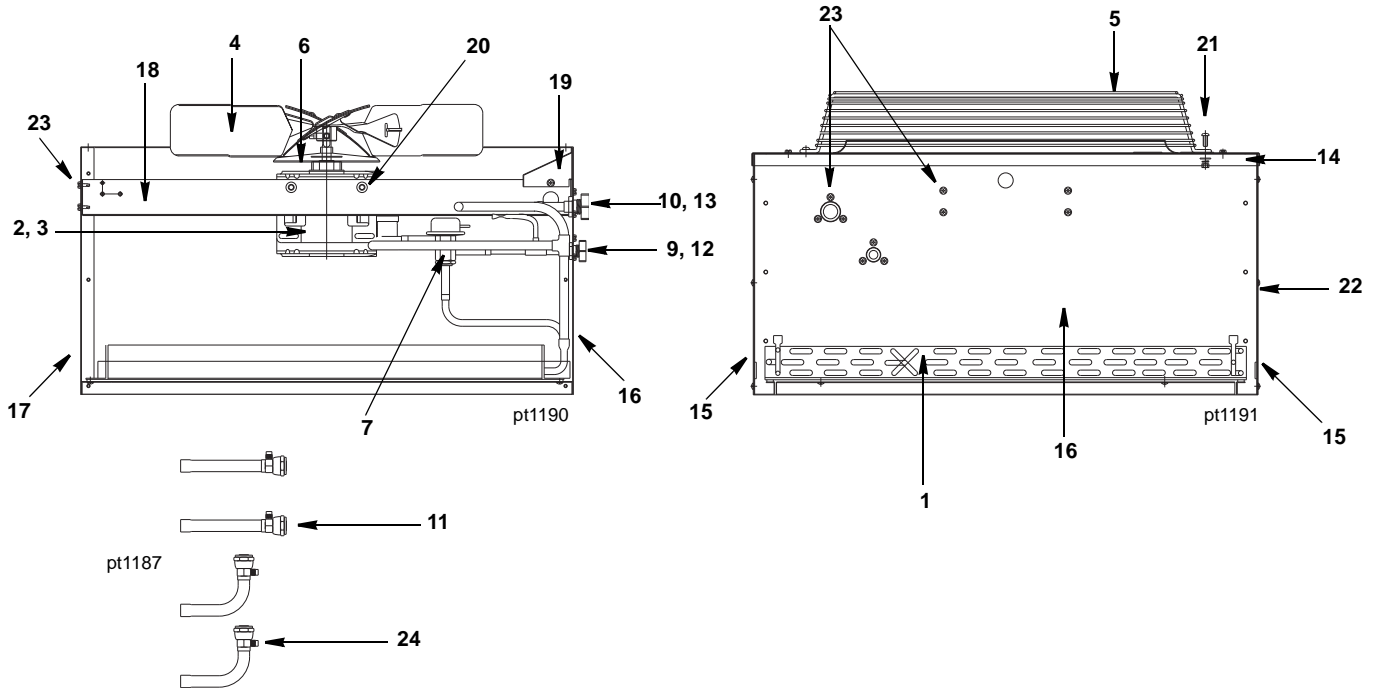
i850 PANELS



DESCRIPTION

DESCRIPTION	PART NO.
1 Left Side Panel	00005224
2 Right Side Panel	00005222
3 Top Cover	00006699
4 Front Panel Assembly	00006578
a. Top Endcap	00006538
b. Bottom Endcap	00006539
5 Front Top Support	00006730
Mounting Screw Left Side 8-32 x 1	50-0537-9
Mounting Screw Right Side 10-24 x .50	50-0509-9
6 Back Coupling Panel, Drain/Water Connection (Compressor Base)	606170-9
Air-Cooled Back Panels	
7 Back Panel with Electrical Connection Box, Air-cooled Models	606169-9
8 Air Filter	30-0555-9
9 Air Baffle Assembly	00007502
Water-Cooled & Remote Air-Cooled Back Panels	
10 Back Panel with Electrical Connection Box	605864-9
11 Back Coupling Panel, Water-Cooled/Remote Connections	606173-9
12 Drain Fitting	87-0608-3
Miscellaneous – Brackets, Screws, etc.	
13 Front Panel LCD Frame	
a. With Key Guard	00006647
b. Without Key Guard	00006564
c. Display Cover (hides the display completely)	K00433
14 Door Screw	50-0489-9
15 Bottom Door Frame	76-0226-3
a. Mounting Screw Left Side 8-32 x 1 PHIL	50-0537-9
b. Mounting Screw Right Side 10/24 x .50 PHIL	52-0209-9
16 Left Door Pivot Leaf Hinge (Top or Bottom)	30-0557-9
a. Mounting Screw 8-32 x 1 PHIL	50-0537-9
17 Left Top Channel	606864-9
18 Right Top Channel	606257-9
19 Left Corner Post	606865-9
20 Right Corner Post	00008752
21 Electrical Box on Rear of Ice Machine	
a. Box with Cover	Included in Back Panel Assembly
b. Terminal Block 3 Pole	20-0614-3
c. Groundscrew #10-24 x .50	52-0216-9

JC0895 REMOTE CONDENSER



DESCRIPTION

	PART NO.
1 Air Condenser	† 88-5062-9
2 Fan Motor (208-230V 50/60 Hz/1 Ph)	† 76-2941-3
3 Fan Motor Run Capacitor (Emerson)	85-0458-3
3 Fan Motor Run Capacitor (Magnatec)	No Longer Available
4 Fan Blade	24-1611-3
5 Fan Guard	34-0064-3
6 Rain Slinger	24-1505-3
7 Head Pressure Control	000004070
8 Terminal Block	000008040
9 Coupling – Male, 5/8-18	† 83-6034-3
10 Coupling – Male, 1-1/6-12	† 83-6035-3
11 Female Line Set Coupling Kit (Sold as Finished Goods Sales Kit)	Sales K0129

Miscellaneous – Brackets, Screws, etc.

12 Coupling Mounting Flange (for 5/8-18)	83-6005-3
13 Coupling Mounting Flange (for 1-1/16-12)	83-6006-3
14 Top Cover	† 601775-1
15 Panel – Side	† 601774-1
16 Panel – Rear	† 601773-1
17 Panel – Front	† 601772-1
18 Fan Motor Mounting Bracket	† 601768-1
19 Electrical Box Cover	† 601776-1
20 Fan Motor Mounting Screw (5/16-18 x 5/8)	† 50-3565-9
a. Fan Motor Mounting Flatwasher	† 55-7309-9
b. Fan Motor Mounting Lockwasher	† 55-7313-9
c. Fan Motor Mounting Hexnut	54-2975-9
21 Fan Guard Mounting Screw (1/4-20 x 5/8)	† 50-3345-9
a. Fan Guard Mounting Flatwasher	† 55-7304-9
b. Fan Guard Mounting Lockwasher	† 55-4511-9
c. Fan Guard Mounting Hexnut	† 54-2952-9
22 Panel/Condenser Mounting Screw (#8 x 1/2)	† 51-2153-9
a. Panel/Condenser Mounting Lockwasher	† 55-4459-9
23 Screw (#10-24 x 1/2)	† 52-0206-9
24 Valve Cores (used in linesets)	76-2684-3
25 Legs (Not shown) (4 Req.)	† 601769-1

† Refer to Cross Reference Guide