



Ice Machine Parts List for Series i-1200 Models

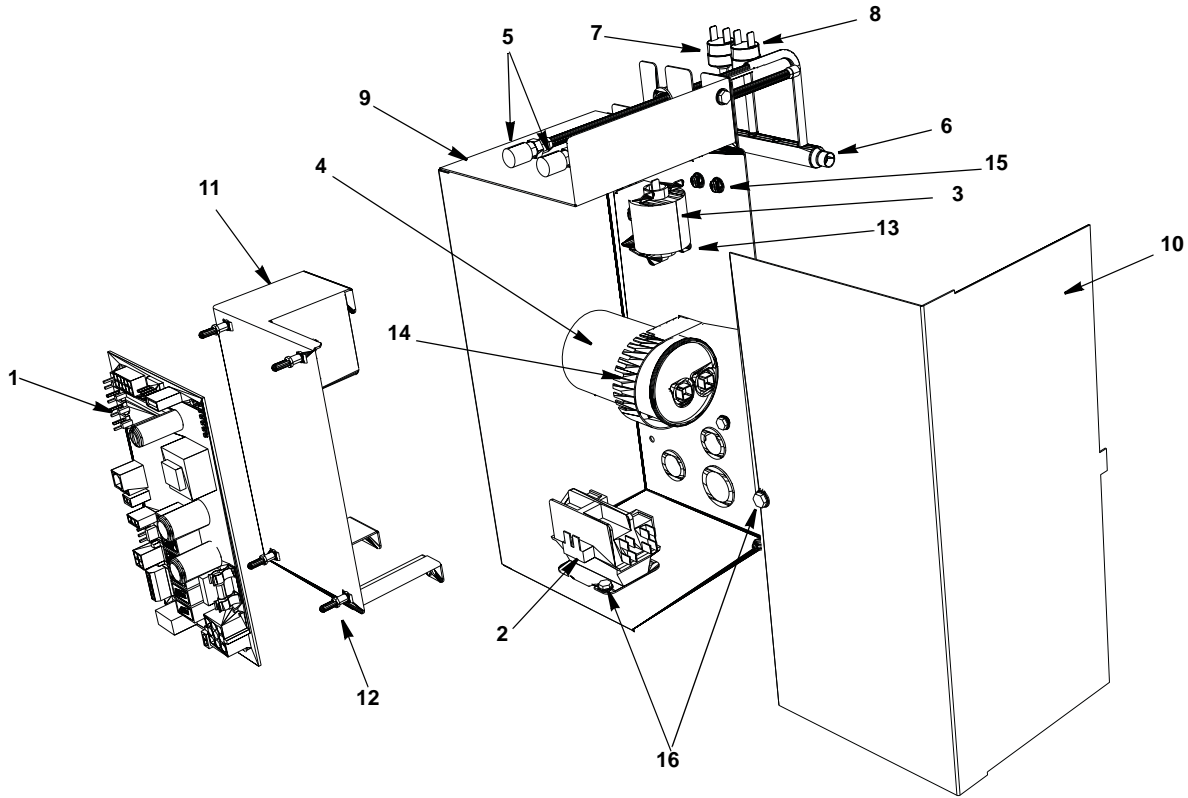
iD1202A

iY1204A

iD1203W

iY1205W

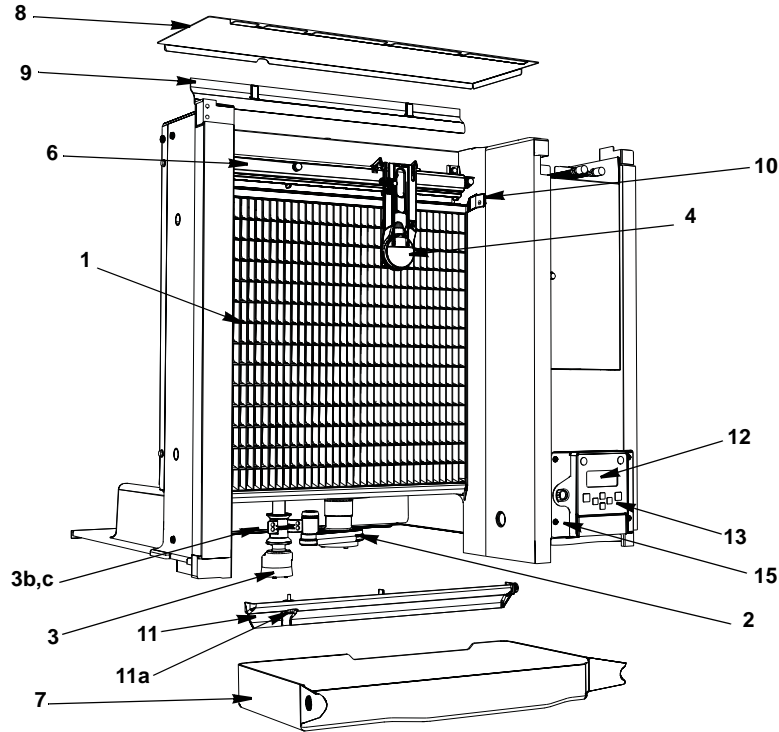
i1200 CONTROL BOX



DESCRIPTION

	PART NO.
1 Control Board (for use with all voltages)	000008309
a. 8 amp Ceramic Fuse – Mounted on Control Board	000009181
2 Contactor	
a. 208-230V/60 Hz/1ph or 230V/50 Hz/1ph	20-0908-9
b. 208-230V/60 Hz/3ph	20-0661-9
3 PTCR Compressor Starter	85-0491-3
4 Compressor Run Capacitor	
a. 208-230V/50-60 Hz/1ph)	20-1013-3
5 Refrigeration Service Valve Assembly	83-7326-3
6 Manifold Strainer	82-5357-9
a. Bracket	605857-1
7 High Pressure Cut-out (Auto Reset)	20-0124-3
8 Fan Cycling Control	† 20-0127-3
Miscellaneous – Brackets, Screws, etc.	
9 Control Box	000008279
10 Control Box Cover	000007569
11 Control Board Mounting Bracket	000007564
12 Control Board Mounting Supports	43-0225-3
13 PTCR Compressor Starter Mounting Bracket	85-0495-3
14 Capacitor Mounting Strap	602495-3
15 Screws, #10-24 x .50 Ground	52-0216-9
a. Star Washer	55-7320-9
16 Screw, #10-24 x .50	52-0206-9
17 Lockwashers	55-7320-9
18 Control Box Bushings	
a. Large (1)	25-0001-9
b. Small (4)	25-0140-9
19 Control Box Wiring Harness (Not shown)	
a. 230/60/1	000007752
b. 230/60/3	000007181
c. 230/50/1	000007753
20 Compressor Compartment Wiring Harness (Not shown)	
a. Air-cooled	000007178
b. Water-cooled	000007176

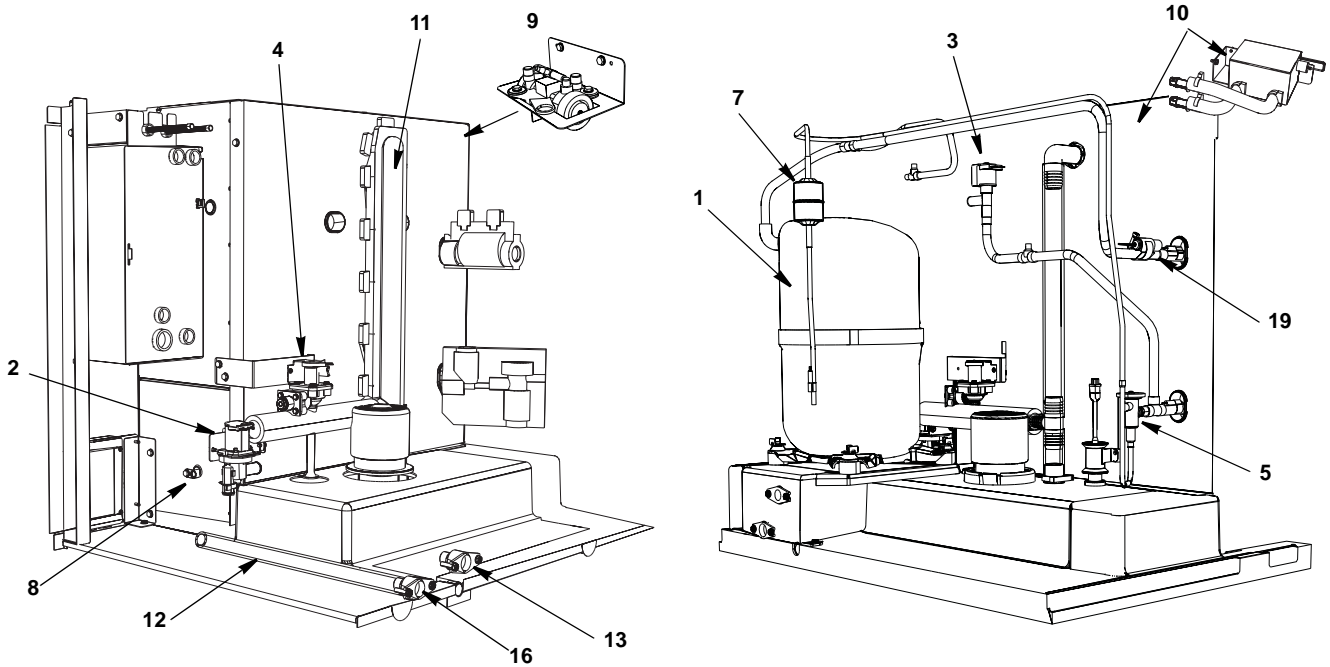
i1200 EVAPORATOR COMPARTMENT - COMMON COMPONENTS



DESCRIPTION

	DESCRIPTION	PART NO.
1	Evaporator Assembly	
	a. Dice Cube	76-0420-3
	b. Half Dice Cube	76-0421-3
2	Water Pump	
	a. 230V/60 Hz 1/3PH	20-0810-9
	b. 230V/50 Hz/1PH	20-0811-9
3	Water Level Probe	
	a. Wire, control box to probe (Not shown)	000007052
	b. Holder	000007724
	c. Screw (Mount Water Level Probe Holder)	000007053
		52-0209-9
4	Ice Thickness Control Probe	00008660
5	Water Curtain (Not shown)	40-1448-9
6	Water Distribution Tube Assembly	76-0219-3
	a. O-Rings (Back of Distribution Assembly)	50-0464-9
7	Water Trough	40-0360-9
8	Foodzone Seal Panel	000007613
9	Evaporator Top Filler Panel	30-0672-9
	a. Stainless Steel Clamp	606333-9
	b. Clamp Screw	52-0209-9
10	Evaporator Top Frame Assembly	76-0220-3
11	Water Diverter	76-0221-3
	a. Thumbscrew	53-0512-3
12	LCD Display	00006728
13	Touch Pad with Housing	000007926
14	LCD Wiring Harness (Not shown)	000007737
15	Touch Pad/Housing Mounting Bracket	00006697
16	Front Panel LCD Frame	
	a. With Key Guard	00006647
	b. Without Key Guard	00006564
	c. Display Cover (hides the display completely)	K00433
17	Ice Deflector (Not shown)	00006700
Miscellaneous – Brackets, Screws, etc.		
18	Screw, (Water Distribution Tube Mounting) Each	50-0479-9
	a. O-Ring	50-0462-9
19	Screw, #12-16 x .687 Used to Mount Evaporator (Each)	50-0461-9
20	Water Pump Base O-Ring	50-0465-9
21	Water Pump Outlet O-Ring	50-0467-9

i1200 REFRIGERATION COMPARTMENT – COMMON PARTS

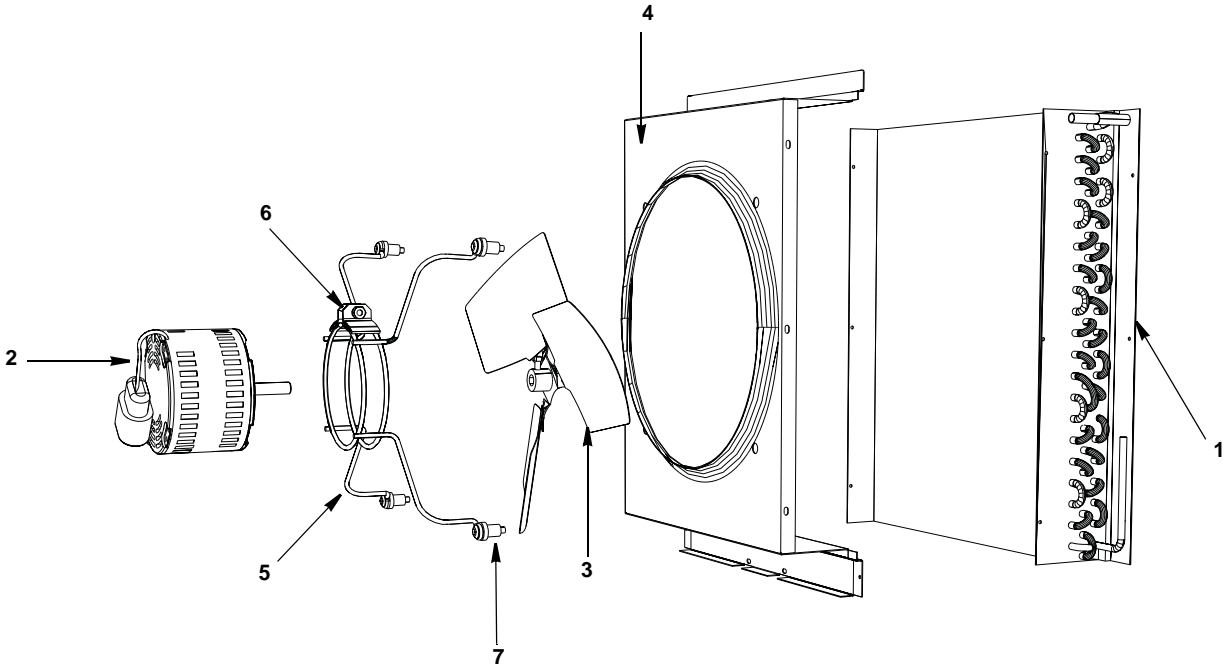


DESCRIPTION

			PART NO.
1	Compressor		
	a. 208-230V/60 Hz/1 Ph		000008729
	b. 208-230V/60 Hz/3 Ph		000008730
	c. 230V/50 Hz/1 Ph		000008731
	d. Molded Plug		20-0623-3
2	Water Dump Valve (with bracket)		
	a. Dump Valve, 208-230V/50-60 Hz		000001768
	b. Mounting Bracket		605845-9
	c. Dump Valve Tubing 3.25 inches		44-2038-3
3	Harvest Valve		
	a. Harvest Valve Including 208/230V 50/60 Hz Electrical Coil		000007015
	b. Harvest Valve 208/230V Coil Only Danfoss		000005157
4	Water Inlet Valve		
	a. Water Inlet Valve Including 208-230V/50-60 Hz Coil		000007966
	b. Water Inlet Valve Bracket		000007594
5	Expansion Valve		
	a. Expansion Valve Body Insulation Boot		76-0159-3
	b. Expansion Valve Bulb Insulation Boot		40-0036-3
6	Thermistors with Spring Clips		40-0720-3
7	Drier		000008310
8	Magnetic Bin Switch		89-3025-9
	a. Wiring Harness		000007888
9	Air Assist		000007410
	a. 230V with brackets		000007223
	b. Manifold Tee (Air Pump Tubing Outlet)		40-1173-9
	c. Bracket		000006489
	d. Nozzle		30-0145-3
10	LuminIce		K00424
	a. LuminIce Bulb		K00425
	b. LuminIce Wiring Harness		000007409
	c. Bulkhead Fitting 2.25"		000007990
	d. Bulkhead Fitting 2.75"		000008269
11	Insulated Tube (vinyl tubing from distribution tube to water pump & dump valve)		000003408
	a. Clamp 0.859/0.989 ID		56-5060-3
	b. Clamp 0.799/0.899 ID		56-5070-3
12	Vinyl Tubing 0.625 ID (dump valve to drain adapter)		000001382
	a. Insulation		603883-1
	b. Clamp		56-5070-9
Miscellaneous – Brackets, Screws, etc.			
13	Water Inlet Wing Adapter		87-0609-3
	a. Adapter Plastic Fitting		13-6096-1
14	Water Inlet Valve Tubing		40-1043-9
15	Connector Water Inlet Valve		13-6098-9
16	Water Drain Wing Adapter		87-0613-3
17	Compressor Mounting		
	a. Base		606170-9
	b. Rubber Grommet		† 85-0306-9
	c. Sleeve		85-0394-9
	d. Bolt		50-0481-9
	e. Nut		50-0482-9
18	Clamp, Expansion Valve Bulb		56-5052-9
19	Copper Bulb Strap		30-0050-3
20	Screw, #10-24 x .50		52-0206-9

† Refer to Cross Reference Guide

i1200 Refrigeration Compartment – Air-Cooled



DESCRIPTION

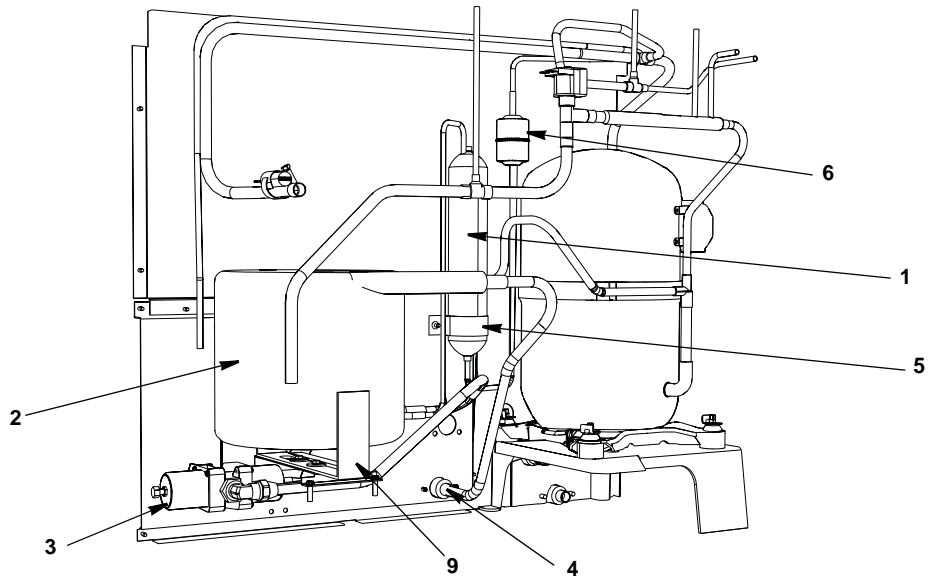
	DESCRIPTION	PART NO.
1	Air Condenser	82-5295-9
2	Fan Motor (208-230V/60 Hz or 230V/50 Hz)	000003033
3	Fan Blade	24-1612-3

Miscellaneous – Brackets, Screws, etc.

4	Fan Shroud	606879-9
5	Fan Motor Bracket	30-0684-3
6	Fan Motor Mounting	
	a. Screw	† 50-3358-9
	b. Lockwasher	† 55-4510-9
	c. Hexnut	† 54-2952-9
7	Fan Bracket Mounting	
	a. Screw	50-3238-9
	b. Lockwasher	† 55-4510-9
	c. Flatwasher	† 55-7305-9
	d. Rubber Wellnut	† 54-2955-9
8	Screw, #10-24 x .50	† 52-0206-9

† Refer to Cross Reference Guide

i1200 REFRIGERATION COMPARTMENT – WATER-COOLED



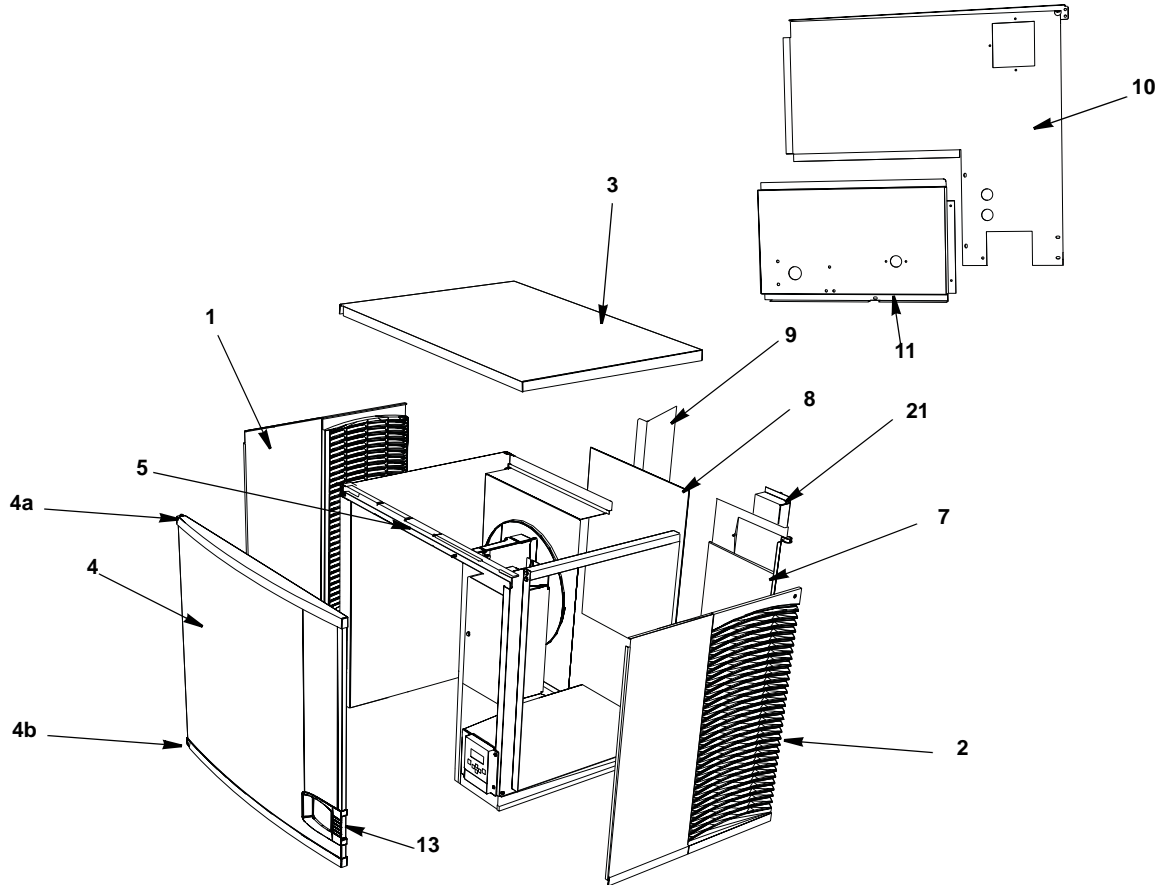
DESCRIPTION

	PART NO.
1 Receiver	89-0012-3
2 Water-cooled Condenser	000001508
3 Water Regulating Valve	83-7212-3
4 Condenser Water Drain Female Wing Adapter	87-0608-3

Miscellaneous – Brackets, Screws, etc.

5 Receiver Strap	600054-1
6 Elbow .50 MF x .375 MPT	50-0224-9
7 Screw, #10-24 x .50	52-0206-3
8 Washer	55-7341-9
9 Base, Water Condenser/Receiver	605865-9

i1200 PANELS



DESCRIPTION

	PART NO.
1 Left Side Panel	00005239
2 Right Side Panel	00005237
3 Top Cover	00006699
4 Front Panel Assembly	00007045
a. Top Endcap	00006538
b. Bottom Endcap	00006539
5 Front Top Support	00006730
Mounting Screw Left Side 8-32 x 1	50-0537-9
Mounting Screw Right Side 10-24 x .50	50-0509-9
6 Back Coupling Panel, Drain/Water Connection (Compressor Base)	606170-9
Air-Cooled Back Panels	
7 Back Panel with Electrical Connection Box, Air-cooled Models	606938-9
8 Air Filter	40-4021-3
9 Air Baffle Assembly	000007678
Water-Cooled & Remote Air-Cooled Back Panels	
10 Back Panel with Electrical Connection Box	607250-1
11 Back Coupling Panel, Water-Cooled/Remote Connections	606918-9
12 Drain Fitting	87-0608-3
Miscellaneous – Brackets, Screws, etc.	
13 Front Panel LCD Frame	
a. With Key Guard	00006647
b. Without Key Guard	00006564
c. Display Cover (hides the display completely)	K00433
14 Door Screw	50-0489-9
15 Bottom Door Frame	76-0226-3
a. Mounting Screw Left Side 8-32 x 1 PHIL	50-0537-9
b. Mounting Screw Right Side 10/24 x .50 PHIL	52-0209-9
16 Left Door Pivot Leaf Hinge (Top or Bottom)	30-0557-9
a. Mounting Screw 8-32 x 1 PHIL	50-0537-9
17 Left Corner Post	606865-9
18 Left Top Channel	606864-9
19 Right Corner Post	606177-9
20 Right Top Channel	606257-9
21 Electrical Box on Rear of Ice Machine	
a. Box with Cover	Included in Back Panel Assembly
b. Terminal Block 3 Pole	20-0614-3
c. Groundscrew #10-24 x .50	52-0216-9

INTENTIONALLY LEFT BLANK