

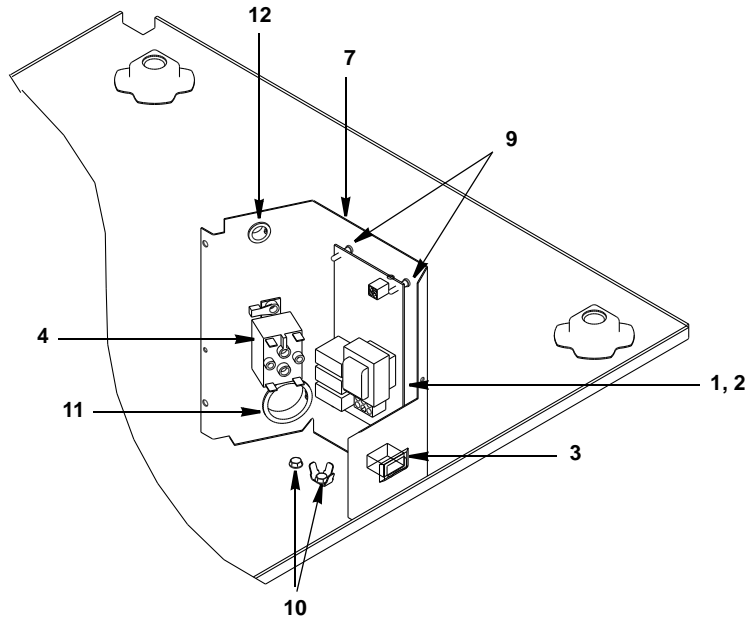


**Ice Machine Parts List for  
Series Q170 Models**

**QD0172A**

**QY0174A**

## Q170 CONTROL BOX



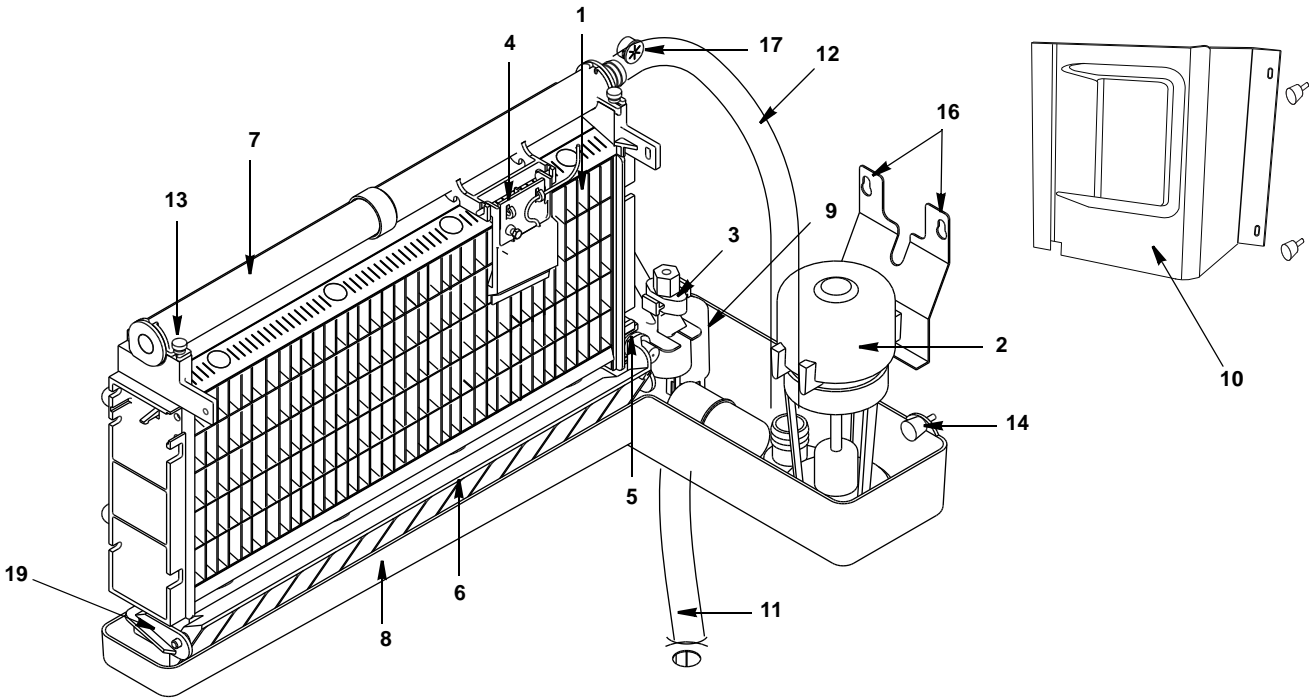
pt1262

### DESCRIPTION

		<b>PART NO.</b>
1	Control Board (for use with all voltages) . . . . .	† 7629073
2	10 Amp Fuse – Mounted on Control Board . . . . .	2511493
3	<b>Toggle Switch Only</b> . . . . .	2301513
	a. Wiring Harness for Toggle Switch . . . . .	2032483
4	<b>Contactor</b>	
	a. 115V/60 Hz/1 Ph . . . . .	2006569
5	<b>Wiring Harness</b>	
	a. Air-Cooled (Not shown) . . . . .	2002183
	b. Water-Cooled (Not shown) . . . . .	2002193
	c. Ice Thickness Control Probe (Wire Lead and Connectors Only) . . . . .	2007013
6	<b>Power Cord</b>	
	a. 115V/60 Hz (Not shown) . . . . .	2006863
<b>Miscellaneous – Brackets, Screws, etc.</b>		
7	Control Box . . . . .	† 6046931
8	Control Box Cover (Not shown) . . . . .	7629083
9	Control Board Mounting Supports . . . . .	4302253
10	Screws, #10-24 x 0.25 Ground . . . . .	5202323
	a. Lockwasher, #10 . . . . .	5573203
11	Bushing SB1500-21/2240 . . . . .	† 2500139
12	Bushing SB625-8/2073 . . . . .	† 2502189

† Refer to Cross Reference Guide

## Q170 EVAPORATOR COMPARTMENT



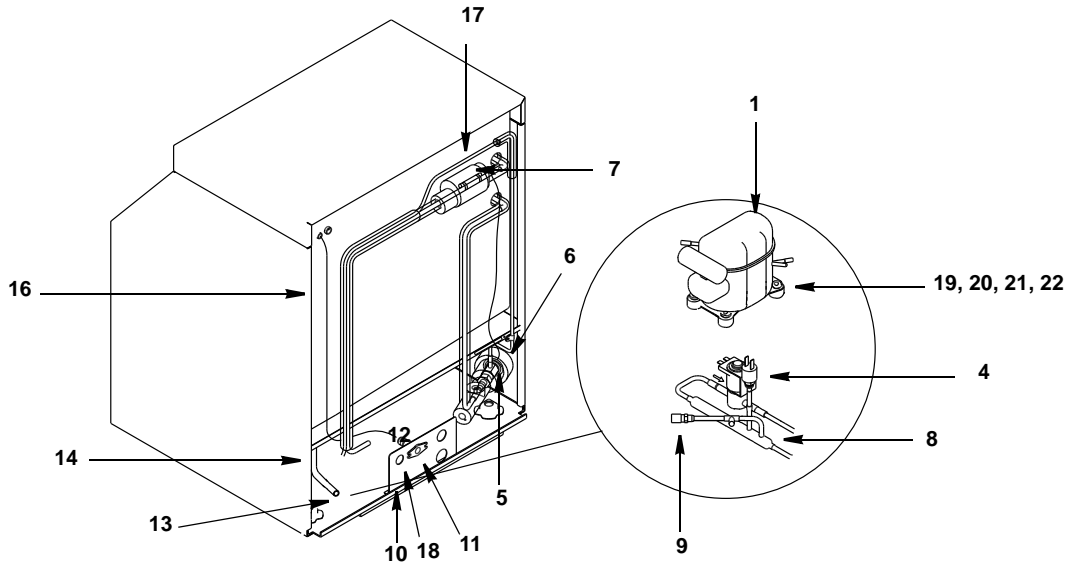
**DESCRIPTION**

**PART NO.**

<b>1 Evaporator Assembly</b>	
a. Dice Cube . . . . .	† 7629559
b. Half Dice Cube . . . . .	† 7629569
<b>2 Water Pump</b>	
a. 115V/60 Hz . . . . .	† 7623063
<b>3 Float Valve (Complete Assembly)</b>	8369049
a. Float Valve Screen . . . . .	† 8369069
b. Float Valve Plunger . . . . .	† 8369089
c. Float Valve Compression Nut . . . . .	† 5650729
d. Bracket . . . . .	7621403
<b>4 Ice Thickness Control Probe</b>	† 7601603
<b>5 Magnetic Bin Switch (Mounted to Evaporator)</b>	000007337
<b>6 Ice Damper</b>	† 7600483
a. Ice Damper Magnet and Cap . . . . .	7629093
<b>7 Water Distribution Tube</b>	040001245
<b>8 Water Trough</b>	040001251
<b>9 Siphon Cap</b>	4302223
<b>10 Water Pump Cover - 115v</b>	000006754
a. Thumbscrew . . . . .	040001217
<b>Miscellaneous – Brackets, Screws, etc.</b>	
<b>11 Drain Tube</b>	† 7600853
<b>12 Tubing (Water Pump Out)</b>	040001234
<b>13 Screw, #8-32 x 0.375 Nylon Water Distribution Tube Mounting</b>	5305113
<b>14 Thumbscrew, #8-32 x 0.44</b>	040001217
<b>15 Screw, #10-24 x 0.75 – Used to Mount Evaporator (Not shown)</b>	† 5202189
<b>16 Screw, #10-24 x 0.50</b>	† 5202069
<b>17 Bushing (Ice Thickness Probe Wire)</b>	† 2500169
<b>18 Water Pump Lead (Not Shown)</b>	2078063
<b>19 Evaporator Frame Assembly (includes top, sides and bottom)</b>	040001766

† Refer to Cross Reference Guide

# Q170 REFRIGERATION COMPARTMENT – COMMON PARTS



pt1259

## DESCRIPTION

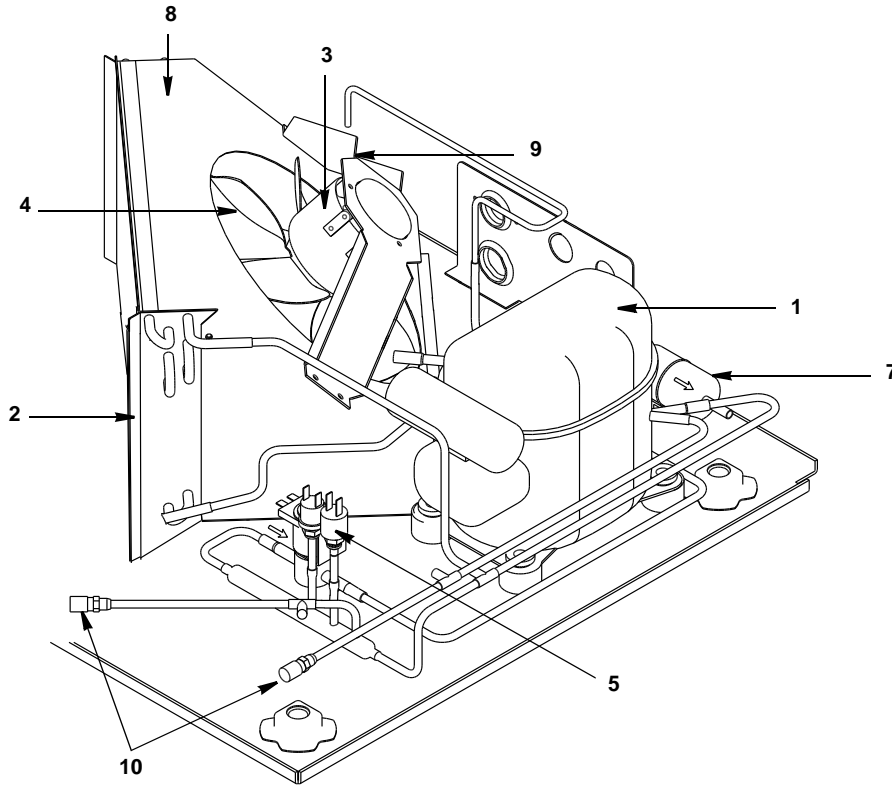
	<b>PART NO.</b>
1 Compressor 115V 60 Hz/1 Ph (Danfoss - NF7CLX) .....	7601323
a. Start Relay with Overload (for Danfoss - NF7CLX) .....	2002043
b. Start Capacitor (for Danfoss - NF7CLX) .....	2002033
2 Start Components for Compressor Danfoss N5.5CLX	
a. Start Relay with Overload (for Danfoss - N5.5CLX) .....	2002043
b. Start Capacitor (for Danfoss - N5.5CLX) .....	2002033
3 <b>Hot Gas Valve</b>	
a. Hot Gas Valve Including 115V 60 Hz Electrical Coil .....	040000689
b. Hot Gas Valve 115V Coil Only .....	040000101
c. Bracket Hot Gas Valve .....	040000104
4 High Pressure Cut-out .....	† 2001243
5 Expansion Valve .....	040001073
6 Expansion Valve Body Insulation Boot .....	4000363
7 Expansion Valve Bulb Insulation Boot .....	4007203
8 Manifold Strainer (in front of hot gas valve) .....	8251063
9 Access Valve .....	8373253

## Miscellaneous – Brackets, Screws, etc.

10 Bracket (Water/Electrical Inlet) .....	6026821
11 Water Inlet Female Wing Adapter .....	† 8706093
12 Male Connector 1/4" OD x 1/8" NTPF .....	1360961
13 Bin Drain Female Wing Adapter after Serial Number 980860665 .....	8706133
14 Bin Drain Tubing (Molded) .....	4420983
15 Bin Drain Hose Clamp (Not shown) .....	† 5650649
16 Water Inlet Tubing 0.375 ID .....	4420291
17 Clamp, Expansion Valve Bulb .....	† 5650529
18 Screw, #10-24 x 0.50 .....	† 5202069
19 Compressor Mounting Rubber Grommet .....	† 8503069
20 Compressor Mounting Washer .....	† 5573099
21 Compressor Hex Head Cap Screw .....	† 5037709
22 Compressor Mounting Sleeve 3/8" ID x 1.031 .....	† 8503949

† Refer to Cross Reference Guide

# Q170 REFRIGERATION COMPARTMENT – AIR-COOLED



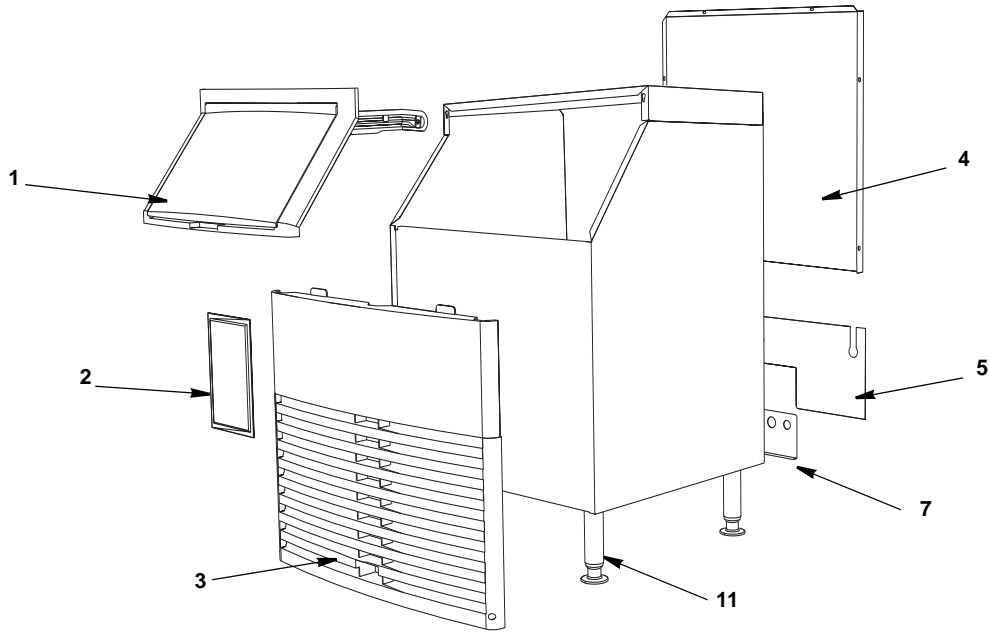
pt1261

**DESCRIPTION**

	<b>PART NO.</b>
1 Compressor (Refer to COMMON PARTS Page) .....	Page 4
2 Air Condenser .....	8851373
3 <b>Fan Motor</b>	
a. 115V .....	2000223
b. 208-230V/60 Hz or 230V/50 Hz .....	2000219
4 Fan Blade .....	3005653
5 Fan Cycling Control .....	2001273
6 Air Filter (Not shown) .....	7629143
7 Drier .....	† 8930259
<b>Miscellaneous – Brackets, Screws, etc.</b>	
8 Fan Shroud .....	6026851
9 Fan Motor Mounting Bracket .....	6027431
10 Access Valve .....	8373253

† Refer to Cross Reference Guide

# Q170 PANELS



## DESCRIPTION

1	Door Frame and Door Assembly .....	040001716
a.	Door Pin Sleeve .....	000006837
2	Air Filter .....	7629143
3	Front Panel Assembly .....	7629153
4	Back Panel, Upper .....	6026801
5	Back Panel, Lower .....	6033501
6	Coupling Panel .....	6026821

## PART NO.

## Miscellaneous – Brackets, Screws, etc.

7	Front Cover Screw .....	† 5202239
8	Screw, #10-24 x .50 .....	† 5202069
9	Ice Scoop (Not shown) .....	† 3302603
10	Legs .....	K00144