



## **Ice Machine Parts List for Series Q210 Models**

**QR0210A**

**QR0211W**

**QD0212A**

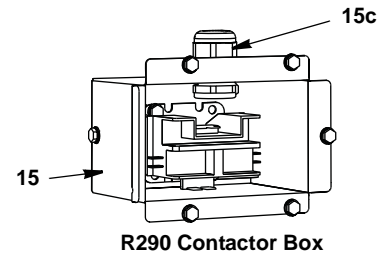
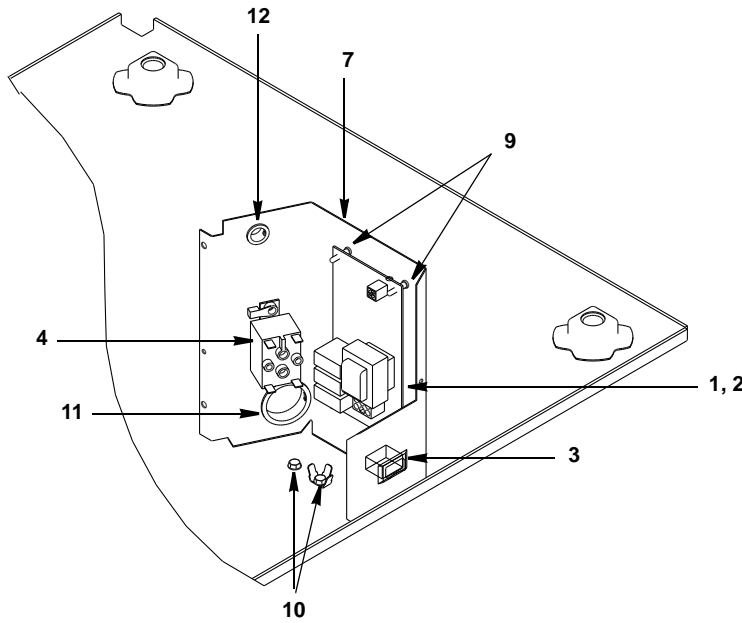
**QD0213W**

**QY0214A**

**QY0215W**

**QYP0214A**

## Q210 CONTROL BOX

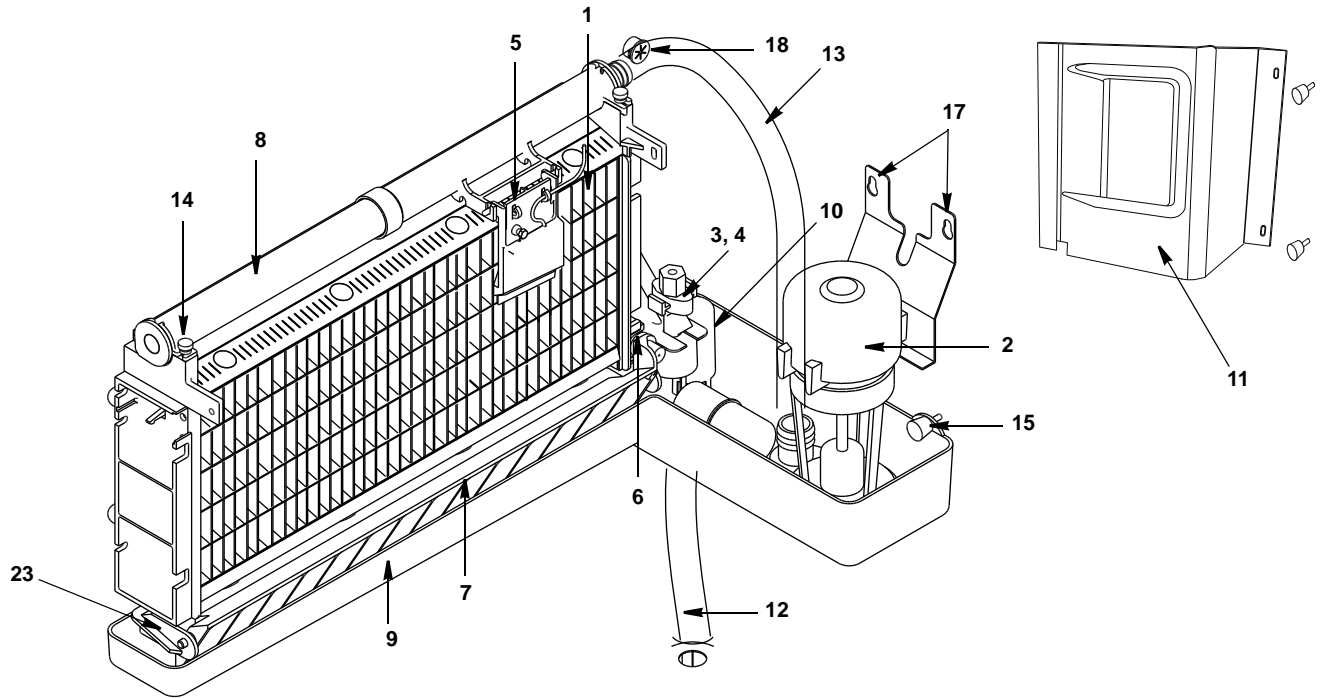


### DESCRIPTION

DESCRIPTION	PART NO.
1 Control Board (for use with all voltages) . . . . .	† 7629073
2 10 Amp Fuse – Mounted on Control Board . . . . .	2511493
3 <b>Toggle Switch</b> Only . . . . .	2301513
a. Wiring Harness for Toggle Switch . . . . .	2032483
4 <b>Contactor</b>	
a. 115V/60 Hz/1 Ph. . . . .	2006569
b. 230V/50/60 Hz/1 Ph . . . . .	2006579
5 <b>Wiring Harness</b>	
a. Air-Cooled (Not shown) . . . . .	2002183
b. R290 Air-Cooled (Not shown) . . . . .	040002294
c. Water-Cooled (Not shown) . . . . .	2002193
d. Ice Thickness Control Probe (Wire Lead and Connectors Only) . . . . .	2007013
6 <b>Power Cord</b>	
a. 125V/60 Hz (Not shown) . . . . .	2006863
b. 230V/60 Hz (Not shown) . . . . .	2006873
c. 230V/50 Hz (Not shown) . . . . .	2033023
<b>Miscellaneous – Brackets, Screws, etc.</b>	
7 Control Box . . . . .	† 6046931
a. R290 230V/50 Hz/1ph . . . . .	000009050
8 Control Box Cover (Not shown) . . . . .	7629083
a. R290 230V/50 Hz/1ph . . . . .	000009051
9 Control Board Mounting Supports . . . . .	4302253
10 Screws, #10-24 x 0.25 Ground. . . . .	5202323
a. Lockwasher, #10. . . . .	5573203
11 Bushing SB1500-21/2240 . . . . .	† 2500139
12 Bushing SB625-8/2073 . . . . .	† 2502189
<b>R290 Components</b>	
13 Strain Relief - Cord Connector . . . . .	2502283
14 Access Valve . . . . .	040002177
a. Cap . . . . .	000009148
15 <b>R290 Contactor Box</b> . . . . .	000009209
a. Box Cover . . . . .	000009210
b. Mounting Bracket . . . . .	040002143
c. False Bottom . . . . .	000009211
d. Liquid Tight Cord Grip . . . . .	000009229
e. R290 230V/50 Hz/1ph Contactor Wiring Harness . . . . .	000009262

† Refer to Cross Reference Guide

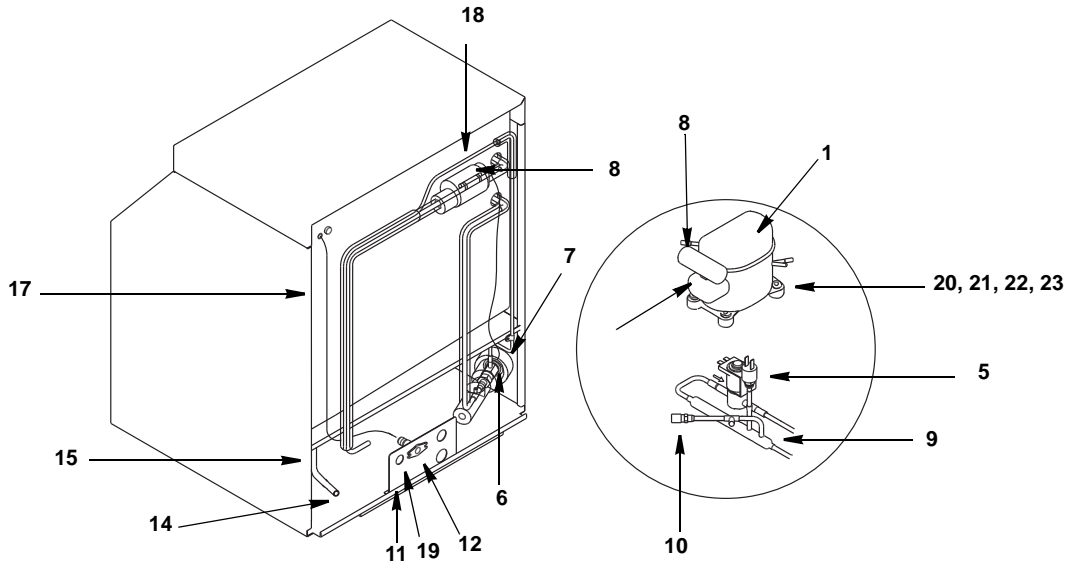
## Q210 EVAPORATOR COMPARTMENT



### DESCRIPTION

	DESCRIPTION	PART NO.
1	<b>Evaporator Assembly</b>	
	a. Regular Cube .....	† 7629549
	b. Dice Cube .....	† 7629559
	c. Half Dice Cube .....	† 7629569
2	<b>Water Pump</b>	
	a. 115V/60 Hz .....	† 7623063
	b. 208-230V/60 Hz or 230V/50 Hz - Up to Serial Number 310145261 .....	† 7626013
	c. 208-230V/60 Hz or 230V/50 Hz - After to Serial Number 310145261 .....	040000945
3	<b>Float Valve (Complete Assembly) - Up to Serial Number 031100000</b> .....	† 7602133
4	<b>Float Valve (Complete Assembly) - After Serial Number 031100000</b> .....	8369049
	a. Float Valve Screen .....	† 8369069
	b. Float Valve Plunger .....	† 8369089
	c. Float Valve Compression Nut .....	† 5650729
	d. Bracket .....	7621403
5	Ice Thickness Control Probe .....	† 7601603
6	Magnetic Bin Switch (Mounted to Evaporator) .....	000007337
7	Ice Damper .....	† 7600483
	a. Ice Damper Magnet and Cap .....	7629093
8	Water Distribution Tube .....	040001245
9	Water Trough .....	040001251
10	Siphon Cap .....	4302223
11	Water Pump Cover - 115V Only .....	000006754
	a. Thumbscrew .....	040001217
<b>Miscellaneous – Brackets, Screws, etc.</b>		
12	Drain Tube .....	† 7600853
13	Tubing (Water Pump Out) .....	040001234
14	Screw, #8-32 x 0.375 Nylon Water Distribution Tube Mounting .....	5305113
15	Thumbscrew, #8-32 x 0.44 .....	040001217
16	Screw, #10-24 x 0.75 – Used to Mount Evaporator (Not shown) .....	† 5202189
17	Screw, #10-24 x 0.50 .....	† 5202069
18	Bushing (Ice Thickness Probe Wire) .....	† 2500169
19	Water Pump Lead (Not Shown) .....	2078063
20	Bottom Frame Plug .....	040001379
21	Water Pump Tapping Plate .....	040001514
22	Siphon Drain Tube .....	040001239
23	Evaporator Frame Assembly .....	040001766
	a. Bottom Frame .....	040001254
	b. Top Frame .....	040001253
	c. Side Frames .....	040001256
24	Probe Assembly .....	040001237
	a. Sensor Probe Cover .....	040001260
	b. Sensor Probe Board .....	040001250
	c. Adjustment Screw .....	3005723
	d. Wire Lead .....	2006983
25	Tube White Vinyl Molded .....	040001255

# Q210 REFRIGERATION COMPARTMENT – COMMON PARTS



pt1259

## DESCRIPTION

**NOTE:** Replace a Tecumseh compressor/start components with a Tecumseh compressor/start components and a Danfoss compressor/start components with a Danfoss compressor/start components.

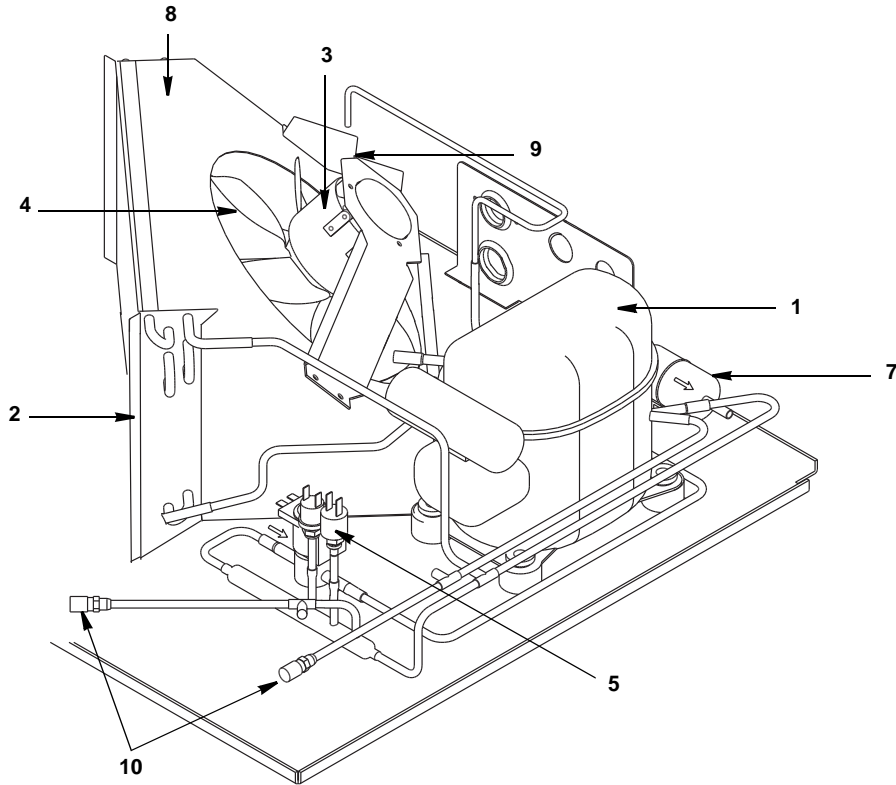
**DO NOT INTERCHANGE COMPRESSORS OR START COMPONENTS.**

PART NO.	DESCRIPTION	PART NO.
1	<b>Tecumseh Compressor</b>	
a.	115V/60 Hz/1 Ph	† 7629103
	Overload for Compressor	8505623
	Starting Device (Tecumseh)	8505653
	Start Capacitor (Tecumseh)	8505803
b.	208/230V 60 Hz/1 Ph (Tecumseh)	† 7629113
	Overload for Compressor	8505763
	Starting Device (Tecumseh)	8505663
	Start Capacitor (Tecumseh)	8505803
c.	224/240V 50 Hz/1 Ph (Tecumseh)	† 7629123
	Overload for Compressor	8505643
	Starting Device (Tecumseh)	† 8505663
	Start Capacitor (Tecumseh)	8505813
2	<b>Danfoss Compressor</b>	
a.	115V/60 Hz/1 Ph (Danfoss)	7601323
	Start Relay with Overload (Danfoss)	2002043
	Start Capacitor (Danfoss)	2002033
b.	208/230V 60 Hz/1 Ph (Danfoss)	7601333
	Start Relay with Overload (Danfoss)	2004873
	Start Capacitor (Danfoss)	2004863
c.	224/240V 50 Hz/1 Ph (Danfoss)	7601333
	Start Relay with Overload (Danfoss)	2004873
	Start Capacitor (Danfoss)	2004863
d.	R290 230V 50 Hz/1 Ph (Danfoss)	040002181
	Start Relay with Overload (Danfoss)	000009198
	Start Capacitor (Danfoss)	040000674
	Plug	000009064
	Terminal Cover	000009259
3	<b>Hot Gas Valve - Up to SN310061221 - except 310047701, 310047696, 310047699, 310047698</b>	
a.	Hot Gas Valve Including 115V 60 Hz Electrical Coil (Danfoss)	† 7630001
b.	Hot Gas Valve 115V Coil Only Danfoss	000005156
c.	Hot Gas Valve 115V Coil Only Alco	2404363
d.	Hot Gas Valve Including 208/230V 50/60 Hz Electrical Coil (Danfoss)	† 7630061
e.	Hot Gas Valve 208/230V 50/60 Hz Coil Only Danfoss	000005157
f.	Hot Gas Valve 208/230V 50/60 Hz Coil Only Alco	† 2404483
4	<b>Hot Gas Valve - After to SN310061221 - including 310047701, 310047696, 310047699, 310047698</b>	
a.	Hot Gas Valve Including 115V 60 Hz Electrical Coil	040000689
b.	Hot Gas Valve 115V Coil Only	040000101
c.	Hot Gas Valve Including 208/230V 50/60 Hz Electrical Coil	040000690
d.	Hot Gas Valve 208/230V 50/60 Hz Coil Only	040000103
e.	Bracket Hot Gas Valve	040000104
5	High Pressure Cut-out	† 2001243
a.	R290 230V/50 Hz/1ph	000008876
6	Expansion Valve	† 7600173
a.	R290 230V/50 Hz/1ph	000009301
7	Expansion Valve Body Insulation Boot	
a.	Alco	4007213
b.	Danfoss	4000363
8	Expansion Valve Bulb Insulation Boot	4007203
9	Manifold Strainer (in front of hot gas valve)	8251063
a.	R290 230V/50 Hz/1ph	040002227
10	Access Valve	8373253

**Miscellaneous – Brackets, Screws, etc.**

11	Bracket (Water/Electrical Inlet) . . . . .	6026821
12	Water Inlet Female Wing Adapter . . . . .	† 8706093
13	Male Connector 1/4" OD x 1/8" NTPF . . . . .	1360961
14	Bin Drain Female Wing Adapter after Serial Number 980860665 . . . . .	8706133
15	Bin Drain Tubing (Molded)	
	a. Up To Serial Number 980860665 . . . . .	4420853
	b. After Serial Number 980860665 . . . . .	4420983
16	Bin Drain Hose Clamp (Not shown) . . . . .	† 5650649
17	Water Inlet Tubing 0.375 ID . . . . .	4420291
18	Clamp, Expansion Valve Bulb . . . . .	† 5650529
19	Screw, #10-24 x 0.50 . . . . .	† 5202069
20	Compressor Mounting Rubber Grommet . . . . .	† 8503069
21	Compressor Mounting Washer . . . . .	† 5573099
22	Compressor Hex Head Cap Screw . . . . .	† 5037709
23	Compressor Mounting Sleeve 3/8" ID x 1.031 . . . . .	† 8503949

## Q210 REFRIGERATION COMPARTMENT – AIR-COOLED



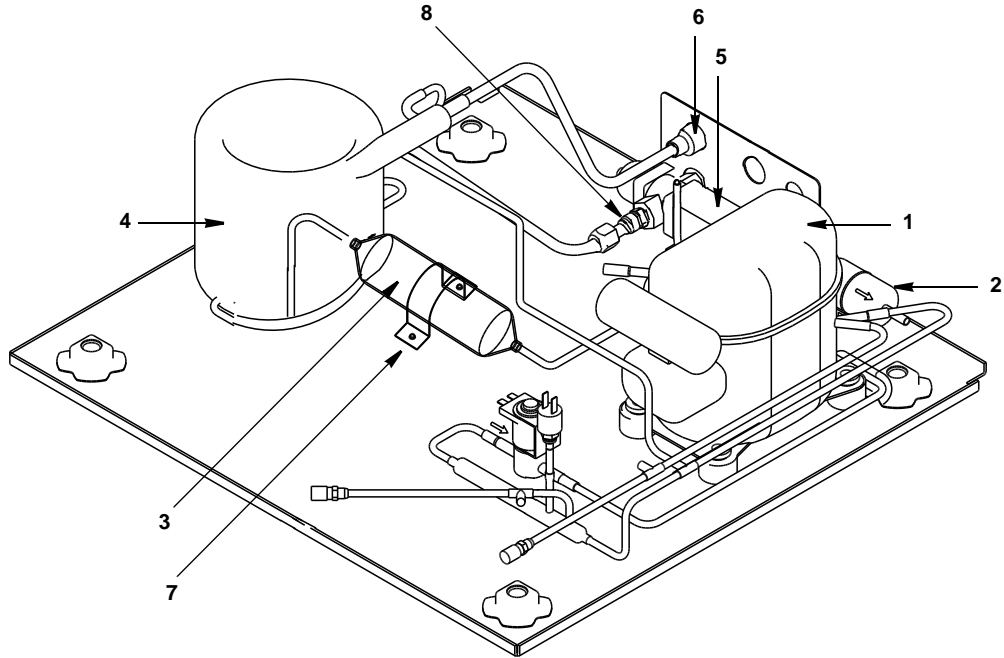
pt1261

### DESCRIPTION

	<b>PART NO.</b>
1 Compressor (Refer to COMMON PARTS Page) . . . . .	Page 4
2 Air Condenser . . . . .	8851323
a. R290 230V/50 Hz/1ph . . . . .	000008848
b. R290 230V/50 Hz/1ph Air Condenser Mounting Plates . . . . .	000009056 & 000009057
3 <b>Fan Motor</b> . . . . .	
a. 115V . . . . .	2000223
b. 208-230V/60 Hz or 230V/50 Hz . . . . .	2000219
4 Fan Blade . . . . .	3005653
5 Fan Cycling Control . . . . .	2001273
a. R290 230V/50 Hz/1ph . . . . .	000008877
6 Air Filter (Not shown) . . . . .	7629143
a. R290 230V/50 Hz/1ph . . . . .	4040273
7 Drier . . . . .	† 8930259
<b>Miscellaneous – Brackets, Screws, etc.</b>	
8 Fan Shroud . . . . .	6026851
a. R290 230V/50 Hz/1ph . . . . .	000009048
9 Fan Motor Mounting Bracket . . . . .	6027431
10 Access Valve . . . . .	8373253

† Refer to Cross Reference Guide

## Q210 REFRIGERATION COMPARTMENT – WATER-COOLED



pt1260

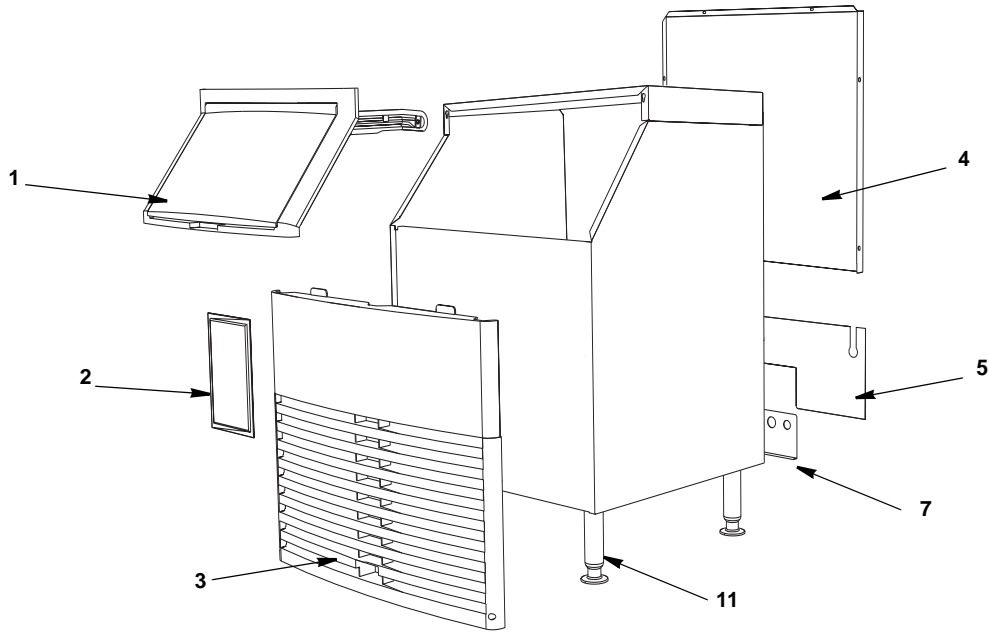
### DESCRIPTION

1	Compressor (Refer to COMMON PARTS Page) .....	
2	Drier .....	
3	Receiver .....	
4	Water-cooled Condenser (use with Danfoss Compressor) .....	
	a. Water-cooled Condenser (use with Tecumseh Compressor) .....	
5	Water Regulating Valve .....	
6	Water Drain Female Wing Adapter .....	
<b>Miscellaneous – Brackets, Screws, etc.</b>		
7	Receiver Strap .....	
8	Water Coupling .....	

### PART NO.

Page 4
8930259
00008892
8865323
8865313
8372103
8706103
6001891
8332023

# Q210 PANELS



**DESCRIPTION**

1	Door Frame and Door Assembly .....	
a.	Door Pin Sleeve .....	
2	Air Filter .....	
a.	R290 230V/50 Hz/1ph .....	
3	Front Panel Assembly .....	
4	Back Panel, Upper .....	
5	Back Panel, Lower .....	
a.	Up to Serial Number 980860665 .....	
b.	After Serial Number 980860665 .....	
c.	R290 230V/50 Hz/1ph .....	
6	Coupling Panel .....	

**PART NO.**

040001716
000006837
7629143
4040273
7629153
6026801
6027171
6033501
000009131
6026821

**Miscellaneous – Brackets, Screws, etc.**

7	Front Cover Screw .....	
8	Screw, #10-24 x .50 .....	
9	Ice Scoop (Not shown) .....	
10	Legs .....	

† 5202239
† 5202069
† 3302603
K00151