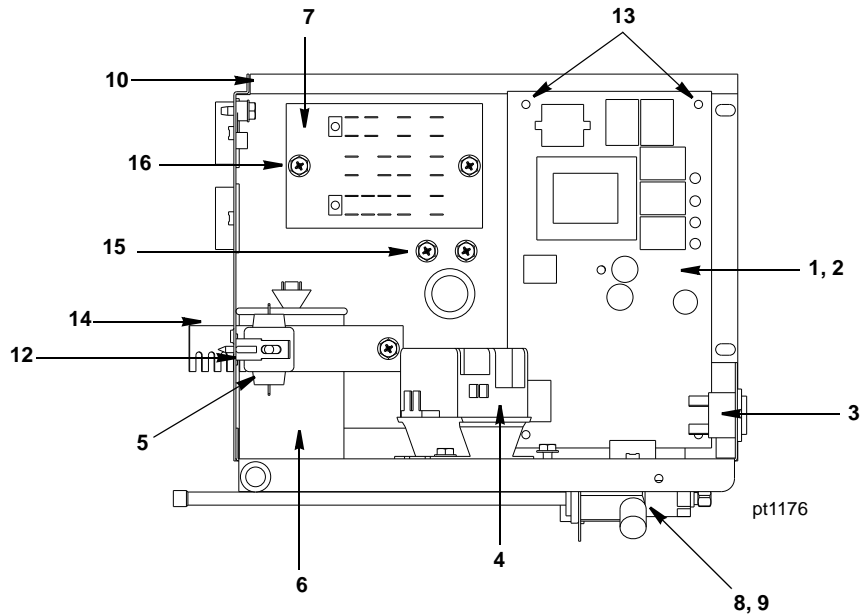




Ice Machine Parts List for Series Q800 Models

QR0800A	QD0892N
QR0801W	QY0804A
QR0890N	QY0805W
QD0802A	QY0894N
QD0803W	

Q800 CONTROL BOX

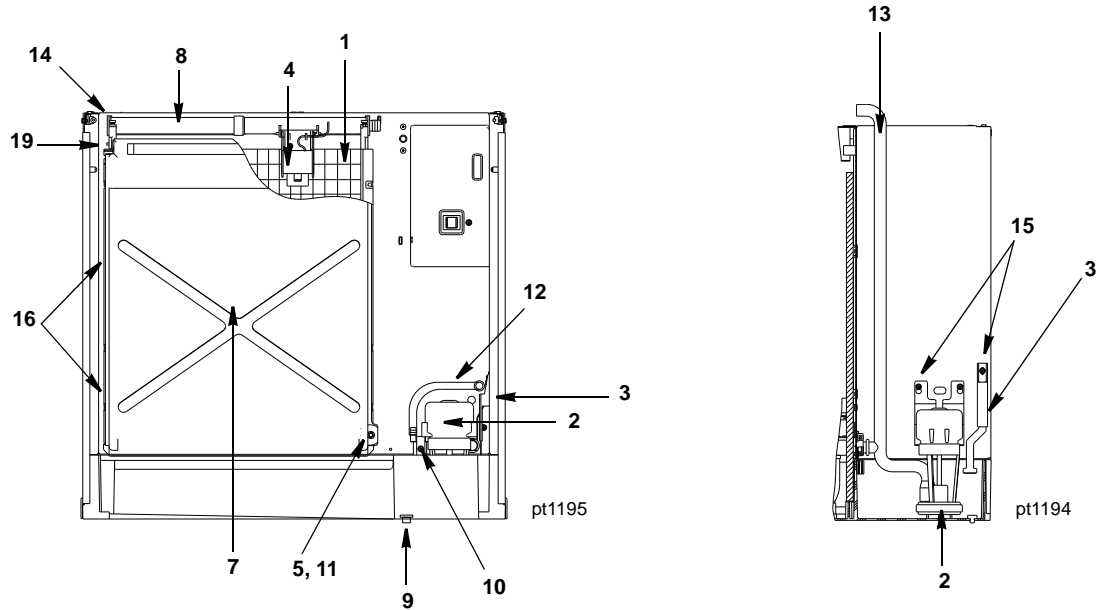


DESCRIPTION

	PART NO.
1 Control Board (for use with all voltages)	† 7627823
2 7 Amp Fuse – Mounted on Control Board	2511003
3 Toggle Switch Only	2301343
a. Toggle Switch with Wiring Harness Attached	2032173
4 Contactor	
a. 208-230V/60 Hz/1 Ph or 230V/50 Hz/1 Ph	† 2006599
b. 208-230V/60 Hz/3 Ph	2006619
5 P.T.C.R. Compressor Starter.	8504993
6 Compressor Run Capacitor – Used with Compressors P/N 7628153 and P/N 7628173.	† 2010133
7 Terminal Board with Wire Harness Attached	
a. 208-230V/60 Hz/1 Ph	2032293
b. 208-230V/60 Hz/3 Ph	2032313
c. 230V/50 Hz/1 Ph	No Longer Available
8 Refrigeration Service Valve Assembly	8373263
Miscellaneous – Brackets, Screws, etc.	
9 Locknut Used to Mount Refrigeration Service Valves.	† 5475039
10 Control Box.	6025593
11 Control Box Cover (Not shown)	† 7628523
12 P.T.C.R. Compressor Starter Mounting Bracket	8505013
13 Control Board Mounting Supports	4302253
14 Capacitor Mounting Strap	6024951
15 Screw, #10-24 x 0.50 Ground.	† 5202169
16 Screw, #10-24 x 0.50	† 5202069

† Refer to Cross Reference Guide

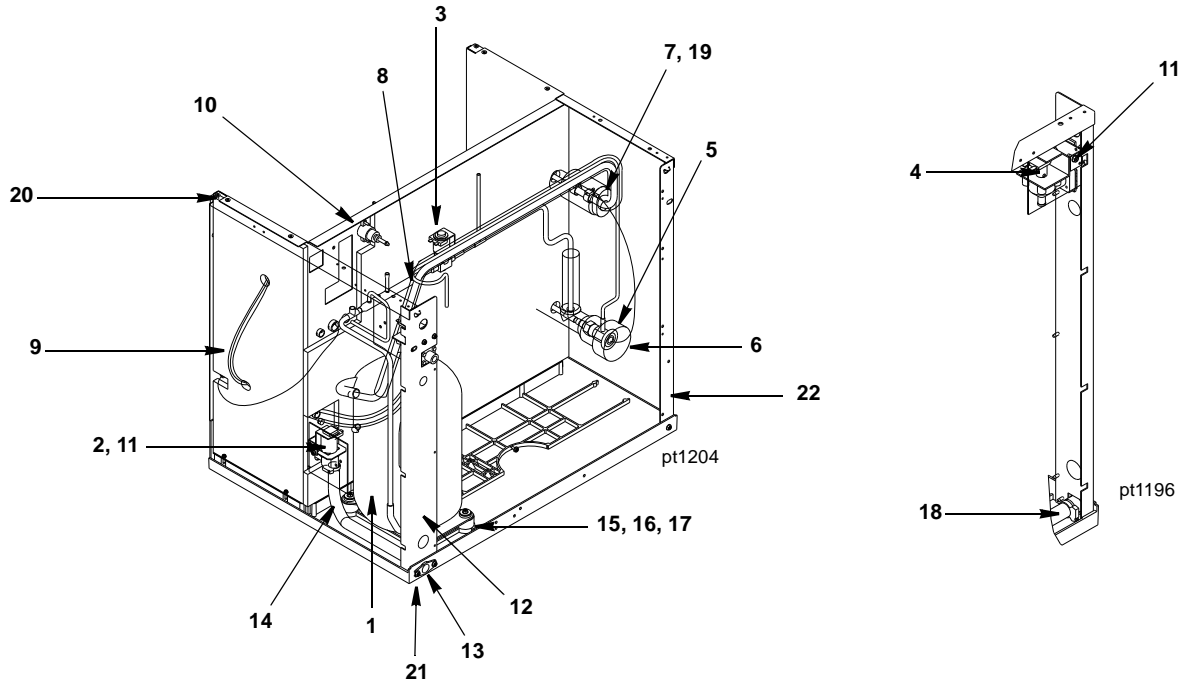
Q800 EVAPORATOR COMPARTMENT



DESCRIPTION

	PART NO.
1 Evaporator Assembly	
a. Regular Cube	† 7624739
b. Dice Cube	† 7624729
c. Half Dice Cube	† 7624719
2 Water Pump	
a. 208-230V/60 Hz	† 7626013
b. 230V/50 Hz	† 1480279
3 Water Level Probe	2511293
4 Ice Thickness Control Probe	† 7627813
5 Magnetic Bin Switch (Mounted to Evaporator)	† 2301483
6 Water Flow Clamp – Use on Regular Cube Evap. Only (Not shown)	7620543
7 Water Curtain	4008513
8 Water Distribution Tube	† 7624983
9 Water Trough Drain Plug	† 4300629
10 Water Inlet Flow Tube	4303883
Miscellaneous – Brackets, Screws, etc.	
11 Water Curtain Magnet with Attachment Clip	† 7628023
12 Water Inlet Tubing 0.375 ID	4421243
13 Tubing (Water Pump Out)	4421143
14 Screw, #8-32 x 0.63 Nylon Water Distribution Tube Mounting	† 5000013
15 Screw, #10-24 x 0.50	† 5202069
16 Screw, #10-24 x 0.750 – Used to Mount Evaporator	† 5202189
17 Base and Water Trough Repair Kit (Not shown)	† 7628063
18 Evaporator Top Molding and Gasket Assembly (Not shown)	7626213
19 Water Curtain Pin Assembly	7627763

Q800 REFRIGERATION COMPARTMENT – COMMON PARTS

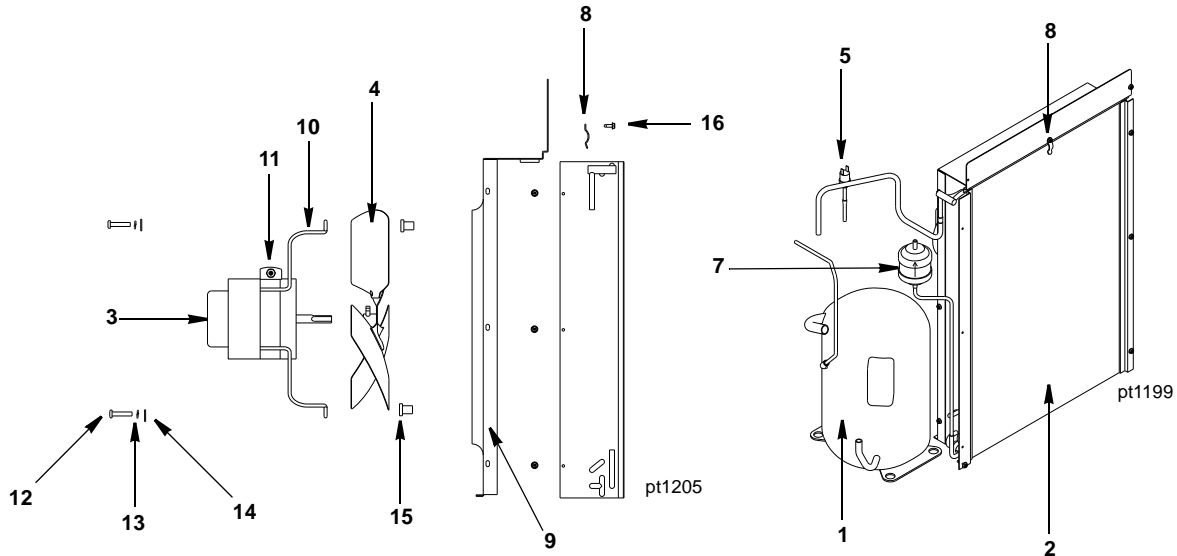


DESCRIPTION

		PART NO.
1	Compressor	
	a. 208-230V/60 Hz/1 Ph	† 7628153
	b. 208-230V/60 Hz/3 Ph	† 7628163
	c. 230V/50 Hz/1 Ph	† 7628173
2	Water Dump Valve	
	a. Dump Valve, 208-230V/50-60 Hz	00001768
	b. Dump Valve Rebuild Kit	No Longer Available
3	Hot Gas Valve	
	a. Hot Gas Valve Including 208-230V/50-60 Hz Electrical Coil (Danfoss)	† 7630111
	b. Hot Gas Valve 208-230V/50-60 Hz Coil Only Danfoss	000005157
	c. Hot Gas Valve 208-230V/50-60 Hz Coil Only Alco	† 2404483
4	Water Inlet Valve	
	a. Water Inlet Valve Including 208-230V/50-60 Hz Coil	000007966
5	Expansion Valve	† 7600213
6	Expansion Valve Body Insulation Boot	
	a. Alco	4007213
	b. Danfoss	4000363
7	Expansion Valve Bulb Insulation Boot	4007203
8	Manifold Strainer - 3 Hole (in front of hot gas valve)	8310153
	a. Manifold Strainer 4 Hole (in front of hot gas vavle)	8250963
9	Water Pump Electrical Wire Lead	† 2078103
10	High Pressure Cut-out (Manual Reset)	† 2355369
10	High Pressure Cut-out (Auto Reset)	† 2001243
	Miscellaneous – Brackets, Screws, etc.	
11	Dump Valve/Water Inlet Valve Mounting Bracket	6023541
12	Right Corner Post Weldment	6019531
13	Water Drain Female Wing Adapter	8706083
14	Water Drain Vinyl Tubing, 0.625 ID	† 4420383
15	Compressor Mounting Rubber Grommet	† 8503069
16	Compressor Mounting Washer	† 5573419
17	Compressor Mounting Screw	† 5012309
18	Clamp, Water Drain	† 5650709
19	Clamp, Expansion Valve Bulb	† 5650529
20	Screw, #10-24 x 0.50	† 5202099
21	Screw, #10-24 x 0.75	† 5202189
22	Left Corner Post Weldment	6019541
23	Terminal Block (50 Hz only)	2006143

† Refer to Cross Reference Guide

Q800 REFRIGERATION COMPARTMENT – AIR-COOLED



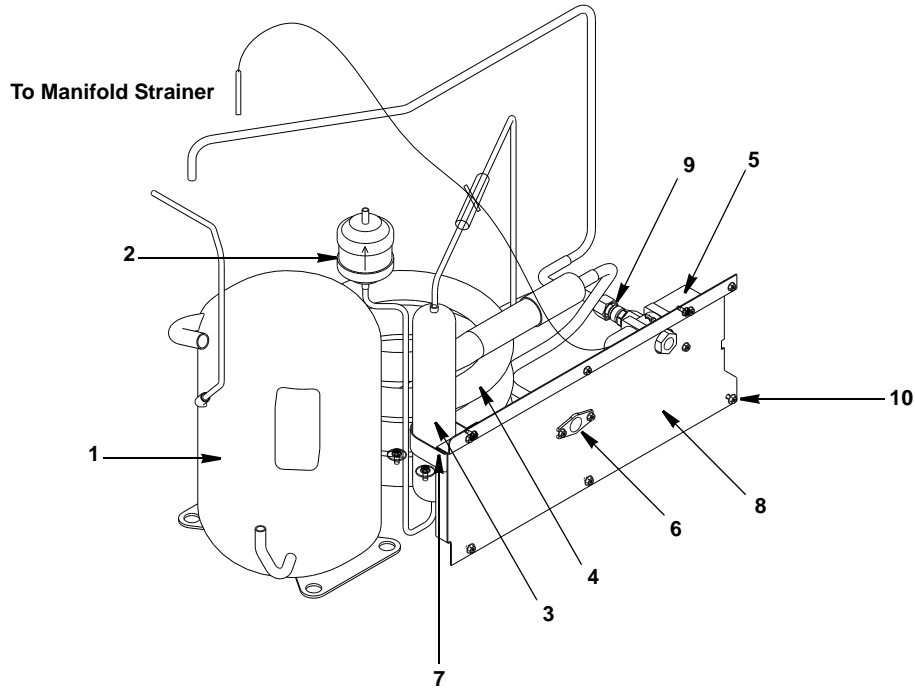
DESCRIPTION

	PART NO.
1 Compressor (Refer to COMMON PARTS Page)	Page 4
2 Air Condenser	† 8251143
3 Fan Motor (208-230V/60 Hz or 230V/50 Hz)	† 7626723
4 Fan Blade	2416123
5 Fan Cycling Control	† 2001273
6 Air Filter (Not shown)	4040203
7 Drier	† 8930259

Miscellaneous – Brackets, Screws, etc.

8 Air Filter Clip	† 5650699
9 Fan Shroud	6018811
10 Fan Motor Mounting Bracket	3006843
11 Fan Motor Mounting Screw	† 5033589
a. Fan Motor Mounting Lockwasher	† 5545109
b. Fan Motor Mounting Hexnut	† 5429529
12 Fan Bracket Mounting Screw	† 5033589
13 Fan Bracket Mounting Lockwasher	† 5545109
14 Fan Bracket Mounting Flatwasher	† 5573059
15 Fan Bracket Mounting Rubber Wellnut	† 5429559
16 Screw, #10-24 x 0.50	† 5202069

Q800 REFRIGERATION COMPARTMENT – WATER-COOLED



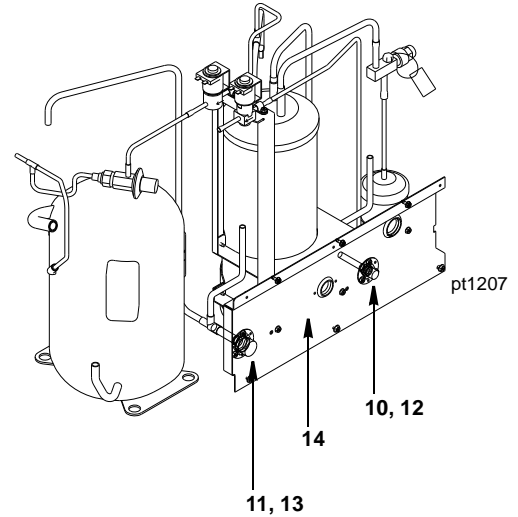
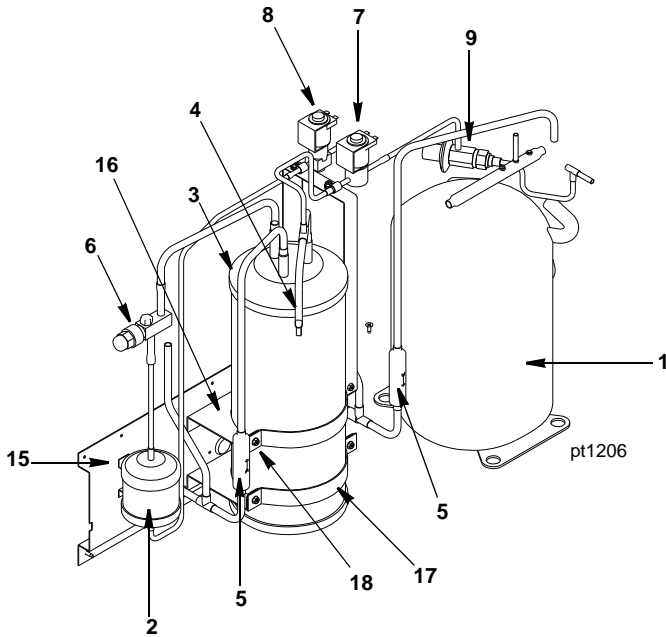
pt1200

DESCRIPTION

DESCRIPTION	PART NO.
1 Compressor (Refer to COMMON PARTS Page)	Page 4
2 Drier	† 8930259
3 Receiver	000008893
4 Water-cooled Condenser	† 8865343
5 Water Regulating Valve	† 8372069
6 Water Drain Female Wing Adapter	8706083
Miscellaneous – Brackets, Screws, etc.	
7 Receiver Strap	6000541
8 Back Panel	6019061
9 Water Coupling	8332033
10 Screw, #10-24 x 0.75	† 5202189

† Refer to Cross Reference Guide

Q800 REFRIGERATION COMPARTMENT – REMOTE

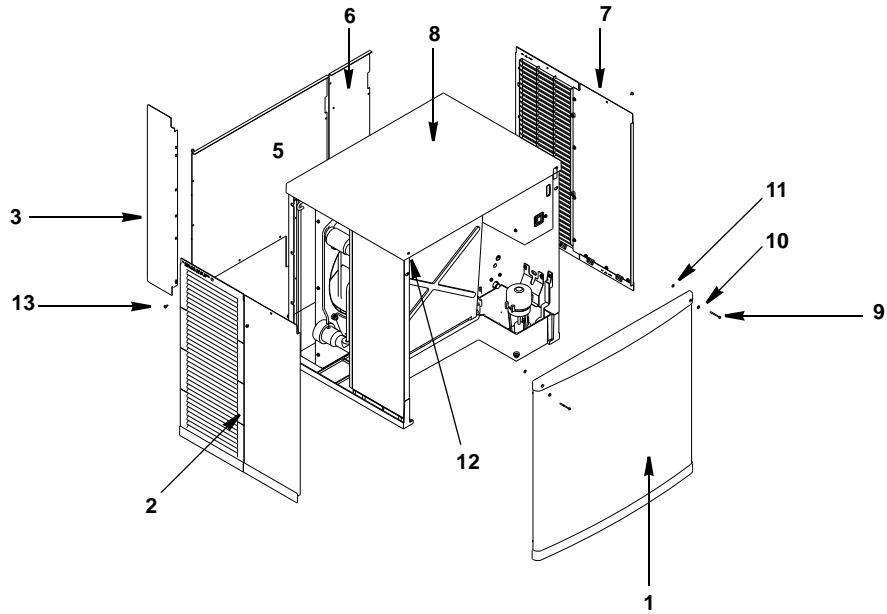


DESCRIPTION

	PART NO.
1 Compressor (Refer to COMMON PARTS)	Page 4
2 Drier	† 8930279
3 Receiver	† 7629573
4 Safety Soft Plug	No Longer Available
5 Magni-Check Valve	† 8373149
6 Refrigeration Service Valve	† 8373169
a. Cap for Refrigeration Service Valve	5650753
7 Harvest Pressure Regulating Solenoid (HPR) Valve	
a. HPR Valve Including 208-230V/50-60 Hz Electrical Coil (Danfoss)	† 7630061
b. HPR Valve 208-230V/50-60 Hz Coil Only Danfoss	000005157
c. HPR Valve 208-230V/50-60 Hz Coil Only Alco	† 2404483
8 Liquid Line Solenoid (LLS) Valve	
a. LLS Valve Including 208-230V/50-60 Hz Electrical Coil (Danfoss)	† 7630081
b. LLS Valve 208-230V/50-60 Hz Coil Only Danfoss	000005157
c. LLS Valve 208-230V/50-60 Hz Coil Only Alco	† 2404483
9 Harvest Pressure Regulating Valve (HPR)	† 8367793
10 Coupling – Male, 5/8-18	† 8360343
11 Coupling – Male, 1-1/6-12	† 8360353
Miscellaneous – Brackets, Screws, etc.	
12 Coupling Mounting Flange for 5/8-18	8360053
13 Coupling Mounting Flange for 1-1/16-12	8360063
14 Back Panel	6019061
15 Drier Support Bracket	6017371
16 Receiver Mounting Bracket	6000561
17 Receiver Mounting Strap	6307214
18 Screw, #10-24 x 0.50	† 5202069

† Refer to Cross Reference Guide

Q800 PANELS



pt1203

DESCRIPTION

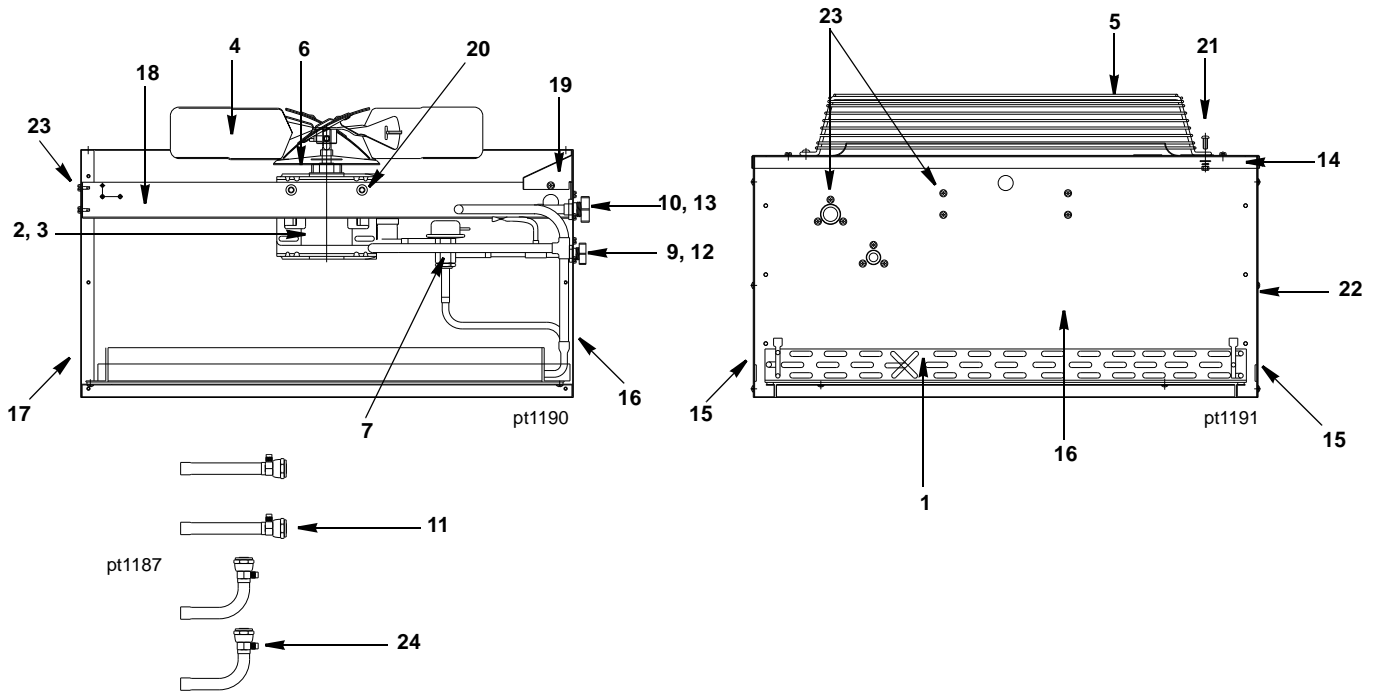
	PART NO.
1 Front Panel Assembly	7628573
2 Left Side Panel	† 7628333
3 Air Baffle	6023751
4 Air Filter (Not shown)	4040203
5 Back Panel, Water or Remote	6024581
6 Back Panel, Air	6024571
7 Right Side Panel	† 7628343
8 Top Cover	4303313

Miscellaneous – Brackets, Screws, etc.

9 Front Cover Screw	† 5119019
10 Front Cover Washer	† 5573389
11 Front Cover Screw Retainer	5648279
12 Speed Nut Assembly to Mount Front Cover	† 5473039
13 Screw, #10-24 x 0.50 Flat	† 5202099
14 Extruded Tape (Not shown)	† 9202509
15 Front Top Support (Not shown)	† 6580419

NOTE: Items 9, 10, 11 and 12 can be ordered as assembly 7628983

JC0895 REMOTE CONDENSER (USED WITH Q600 AND Q800 REMOTE ICE MACHINES)



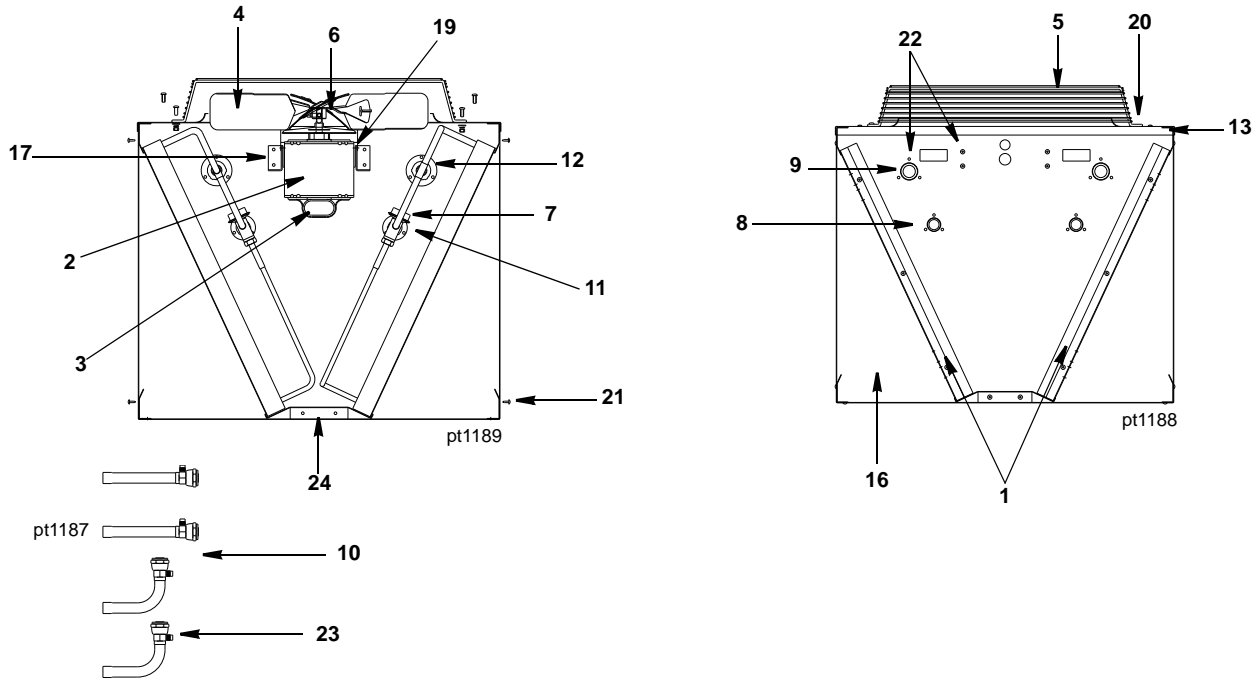
DESCRIPTION

DESCRIPTION	PART NO.
1 Air Condenser	† 8850629
2 Fan Motor (208-230V/50-60 Hz/1 Ph)	† 7629413
3 Fan Motor Run Capacitor (Emerson)	8504583
3 Fan Motor Run Capacitor (Magnatec)	No Longer Available
4 Fan Blade	2416113
5 Fan Guard	3400643
6 Rain Slinger	2415053
7 Head Pressure Control	000004070
8 Terminal Block	000008040
9 Coupling – Male, 5/8-18	† 8360343
10 Coupling – Male, 1-1/6-12	† 8360353
11 Female Line Set Coupling Kit (Sold as Finished Goods Sales Kit)	Sales K0129

Miscellaneous – Brackets, Screws, etc.

12 Coupling Mounting Flange (for 5/8-18)	8360053
13 Coupling Mounting Flange (for 1-1/16-12)	8360063
14 Top Cover	† 6017751
15 Panel – Side	† 6017741
16 Panel – Rear	† 6017731
17 Panel – Front	† 6017721
18 Fan Motor Mounting Bracket	† 6017681
19 Electrical Box Cover	† 6017761
20 Fan Motor Mounting Screw (5/16-18 x 5/8)	† 5035659
a. Fan Motor Mounting Flatwasher	† 5573099
b. Fan Motor Mounting Lockwasher	† 5573139
c. Fan Motor Mounting Hexnut	5429759
21 Fan Guard Mounting Screw (1/4-20 x 5/8)	† 5033459
a. Fan Guard Mounting Flatwasher	† 5573049
b. Fan Guard Mounting Lockwasher	† 5545119
c. Fan Guard Mounting Hexnut	† 5429529
22 Panel/Condenser Mounting Screw (#8 x 1/2)	† 5121539
a. Panel/Condenser Mounting Lockwasher	† 5544599
23 Screw (#10-24 x 1/2)	† 5202069
24 Valve Cores (used in line sets)	7626843
25 Legs (Not shown) (4 Req.)	† 6017691

DC0862 DUAL CIRCUIT REMOTE CONDENSER (USED WITH Q600 AND Q800 REMOTE ICE MACHINES)



DESCRIPTION

	PART NO.
1 Air Condenser	† 8850629
2 Fan Motor (115V/60 Hz/1 Ph)	† 7629423
3 Fan Motor Run Capacitor	No Longer Available
4 Fan Blade	2416113
5 Fan Guard	3400643
6 Rain Slinger	2415053
7 Head Pressure Control	000004070
8 Coupling – Male, 5/8-18	† 8360343
9 Coupling – Male, 1-1/6-12	† 8360353
10 Female Line Set Coupling Kit (Sold as Finished Goods Sales Kit)	Sales K0129

Miscellaneous – Brackets, Screws, etc.

11 Coupling Mounting Flange (for 5/8-18)	8360053
12 Coupling Mounting Flange (for 1-1/16-12)	8360063
13 Top Cover	6017891
14 Legs (Not shown) (4 Req.)	† 6017691
15 Panel – Rear (Not shown)	† 6017881
16 Panel – Front	† 6017871
17 Fan Motor Mounting Bracket	† 6017681
18 Electrical Box Cover (Not shown)	† 6017761
19 Fan Motor Mounting Screw (5/16-18 x 5/8)	† 5035659
a. Fan Motor Mounting Flatwasher	† 5573099
b. Fan Motor Mounting Lockwasher	† 5573139
c. Fan Motor Mounting Hexnut	5429759
20 Fan Guard Mounting Screw (1/4-20 x 5/8)	† 5033459
a. Fan Guard Mounting Flatwasher	† 5573049
b. Fan Guard Mounting Lockwasher	† 5545119
c. Fan Guard Mounting Hexnut	† 5429529
21 Panel/Condenser Mounting Screw (#8 x 1/2)	† 5121539
a. Panel/Condenser Mounting Lockwasher	† 5544599
22 Screw (#10-24 x 1/2)	† 5202069
23 Valve Cores (used in line sets)	7626843
24 Base Angle	6017791
25 Fan Cycle Kit K00095 (Not shown)	
a. Relay	No Longer Available
b. Relay Mounting Bracket	No Longer Available
c. Transformer	No Longer Available
d. Electrical Junction Box	2515013

† Refer to Cross Reference Guide