



## **Ice Machine Parts List for Series Q1300 Models**

**QR1300A**

**QD1392N**

**QR1301W**

**QY1304A**

**QR1390N**

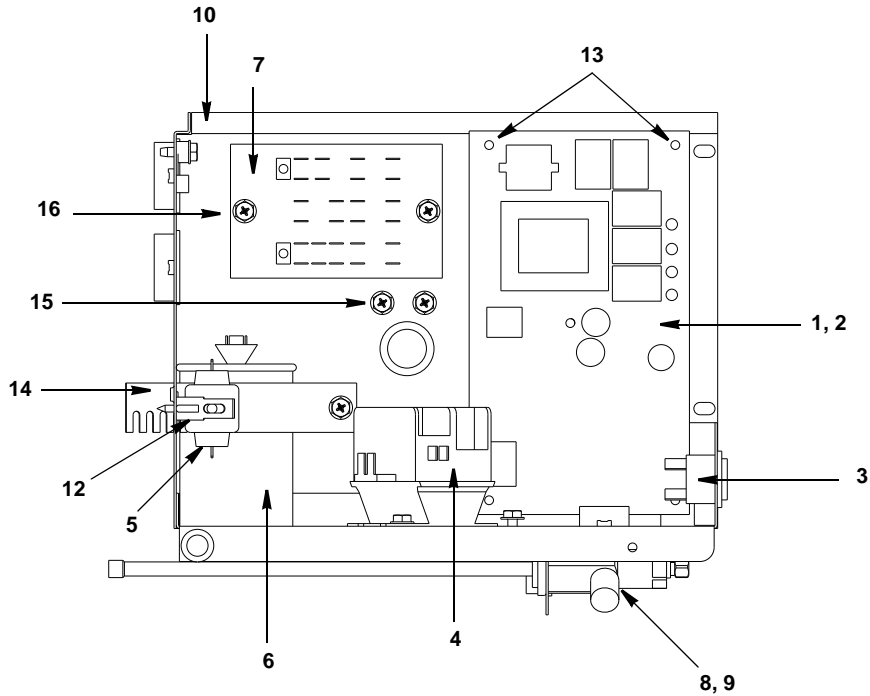
**QY1305W**

**QD1302A**

**QY1394N**

**QD1303W**

# Q1300 CONTROL BOX



pt1176

**DESCRIPTION**

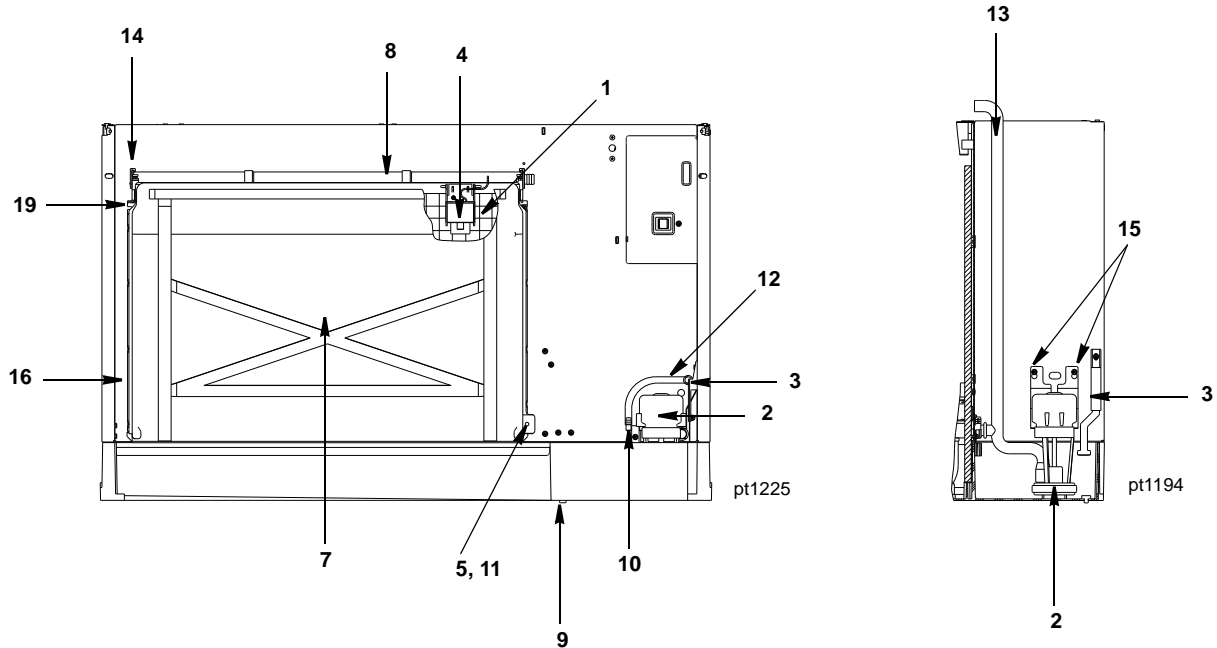
	<b>PART NO.</b>
1 Control Board (for use with all voltages) . . . . .	† 7627823
2 7 Amp Fuse – Mounted on Control Board . . . . .	2511003
3 <b>Toggle Switch</b> Only . . . . .	2301343
a. Toggle Switch with Wiring Harness Attached . . . . .	2032173
4 <b>Contactor</b>	
a. 208-230V/60 Hz/1 Ph or 230V/50 Hz/1 Ph . . . . .	2006609
b. 208-230V/60 Hz/3 Ph . . . . .	2006619
5 P.T.C.R. Compressor Starter. . . . .	8504913
6 <b>Compressor Run Capacitor</b>	
a. Used with Compressor P/N 7626873 (208-230V/50-60 Hz/1 Ph) . . . . .	† 00000028
7 <b>Terminal Board with Wire Harness Attached</b>	
a. 208-230V/60 Hz/1 Ph . . . . .	2032413
b. 208-230V/60 Hz/3 Ph . . . . .	2032433
c. 230V/50 Hz/1 Ph . . . . .	2032423
8 Refrigeration Service Valve Assembly . . . . .	8373263

**Miscellaneous – Brackets, Screws, etc.**

9 Locknut Used to Mount Refrigeration Service Valves. . . . .	† 5475039
10 Control Box . . . . .	6025593
11 Control Box Cover (Not shown) . . . . .	† 7628523
12 P.T.C.R. Compressor Starter Mounting Bracket . . . . .	8504953
13 Control Board Mounting Supports . . . . .	4302253
14 Capacitor Mounting Strap . . . . .	6024951
15 Screw, #10-24 x 0.50 Ground. . . . .	† 5202169
16 Screw, #10-24 x 0.50 . . . . .	† 5202069

† Refer to Cross Reference Guide

# Q1300 EVAPORATOR COMPARTMENT

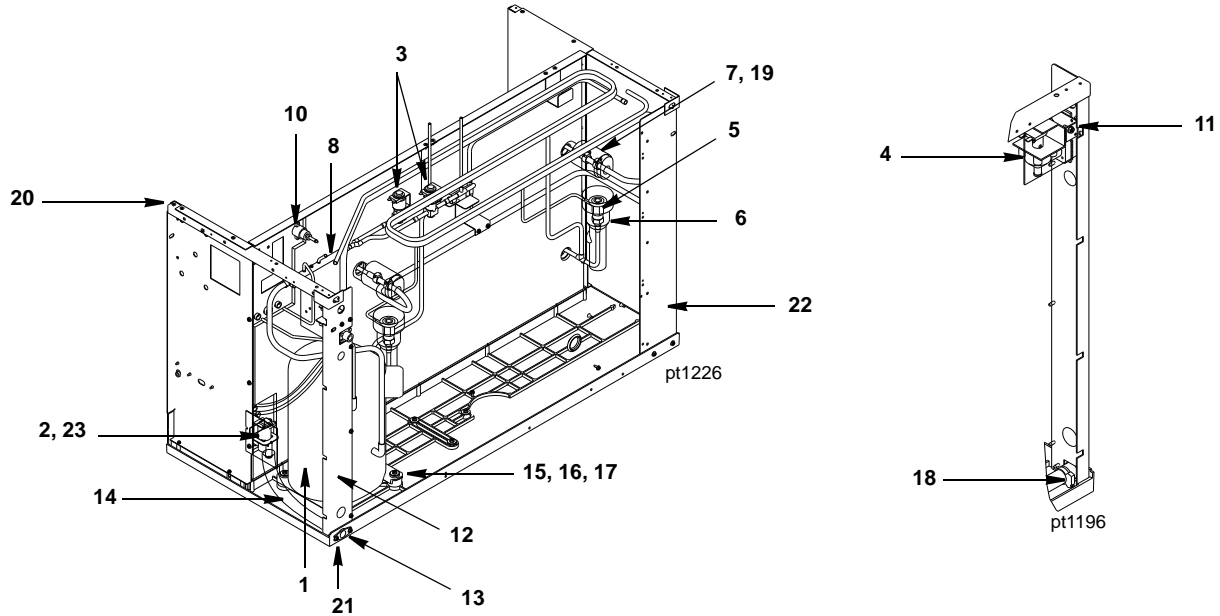


## DESCRIPTION

		<b>PART NO.</b>
1	<b>Evaporator Assembly</b>	
a.	Regular Cube .....	† 7626939
b.	Dice Cube .....	† 7626949
c.	Half Dice Cube .....	† 7626959
2	Water Pump (208-230V/50-60 Hz) .....	† 1480279
3	Water Level Probe .....	2511293
4	Ice Thickness Control Probe .....	† 7627813
5	Magnetic Bin Switch (Mounted to Evaporator) .....	† 2301483
6	Water Flow Clamp – Use on Regular Cube Evap. Only (Not shown) .....	7620543
7	Water Curtain .....	4004753
8	Water Distribution Tube .....	4303223
9	Water Trough Drain Plug .....	† 4300629
10	Water Inlet Flow Tube .....	4303883
<b>Miscellaneous – Brackets, Screws, etc.</b>		
11	Water Curtain Magnet with Attachment Clip .....	† 7628023
12	Water Inlet Tubing 0.375 ID .....	4421313
13	Tubing (Water Pump Out) .....	4421153
14	Screw, #8-32 x 0.63 Nylon Water Distribution Tube Mounting .....	† 5000013
15	Screw, #10-24 x 0.50 .....	† 5202069
16	Screw, #10-24 x 0.750 – Used to Mount Evaporator .....	† 5202189
17	Base and Water Trough Repair Kit (Not shown) .....	† 7628063
18	Evaporator Top Molding and Gasket Assembly (Not shown) .....	7628013
19	Water Curtain Pin Assembly .....	† 7628563

† Refer to Cross Reference Guide

## Q1300 REFRIGERATION COMPARTMENT – COMMON PARTS



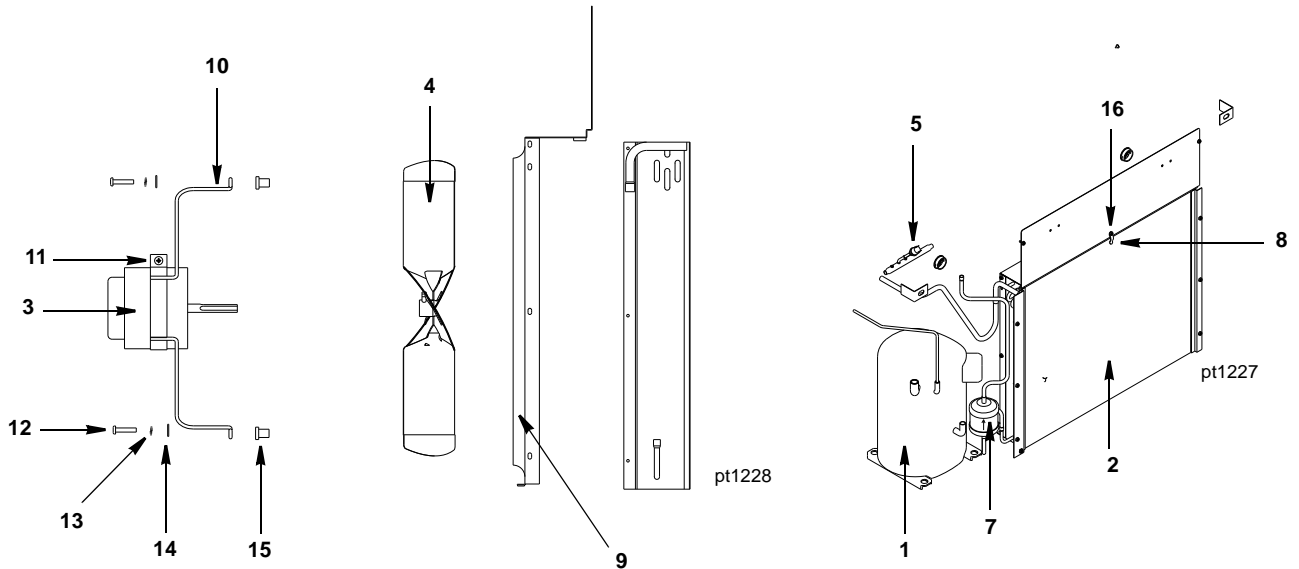
### DESCRIPTION

### PART NUMBER

<b>1 Compressor</b>	
a. 208-230V/60 Hz/1 Ph . . . . .	† 7626873
b. 208-230V/60 Hz/3 Ph . . . . .	† 7626883
c. 230V/50 Hz/1 Ph . . . . .	† 7627003
d. 415V/50 Hz/3 Ph (Remote Ice Machines Only) . . . . .	† 7627013
<b>2 Water Dump Valve</b>	
a. Dump Valve, 208-230V/50-60 Hz . . . . .	000001768
b. Dump Valve Rebuild Kit . . . . .	No Longer Available
<b>3 Hot Gas Valve</b>	
a. Hot Gas Valve Including 208-230V/50-60 Hz Electrical Coil (Danfoss) . . . . .	† 7630101
b. Hot Gas Valve 208-230V/50-60 Hz Coil Only Danfoss . . . . .	000005157
c. Hot Gas Valve 208-230V/50-60 Hz Coil Only Alco . . . . .	† 2404483
<b>4 Water Inlet Valve</b>	
a. Water Inlet Valve Including 208-230V/50-60 Hz Coil . . . . .	000007966
<b>5 Expansion Valve . . . . .</b>	† 7600223
<b>6 Expansion Valve Body Insulation Boot</b>	
a. Alco . . . . .	4007213
b. Danfoss . . . . .	4000363
<b>7 Expansion Valve Bulb Insulation Boot . . . . .</b>	4007203
<b>8 Manifold Strainer (in front of hot gas valve) . . . . .</b>	8250973
<b>9 Water Pump Electrical Wire Lead (Not shown) . . . . .</b>	† 2078103
<b>10 High Pressure Cut-out (Manual Reset) . . . . .</b>	† 2355369
<b>10 High Pressure Cut-out (Auto Reset) . . . . .</b>	† 2001243
<b>Miscellaneous – Brackets, Screws, etc.</b>	
<b>11 Water Inlet Valve Mounting Bracket . . . . .</b>	6023541
<b>12 Right Corner Post Weldment . . . . .</b>	6022041
<b>13 Water Drain Female Wing Adapter . . . . .</b>	8706083
<b>14 Water Drain Vinyl Tubing, 0.625 ID . . . . .</b>	† 4420383
<b>15 Compressor Mounting Rubber Grommet . . . . .</b>	† 8503069
<b>16 Compressor Mounting Washer . . . . .</b>	† 5573419
<b>17 Compressor Mounting Screw . . . . .</b>	† 5012309
<b>18 Clamp, Water Drain . . . . .</b>	† 5650709
<b>19 Clamp, Expansion Valve Bulb . . . . .</b>	† 5650529
<b>20 Screw, #10-24 x 0.50 . . . . .</b>	† 5202099
<b>21 Screw, #10-24 x 0.7 5. . . . .</b>	† 5202189
<b>22 Left Corner Post Weldment . . . . .</b>	6045141
<b>23 Dump Valve Mounting Bracket . . . . .</b>	6015971
<b>24 Terminal Block . . . . .</b>	2006143

† Refer to Cross Reference Guide

## Q1300 REFRIGERATION COMPARTMENT – AIR-COOLED



### DESCRIPTION

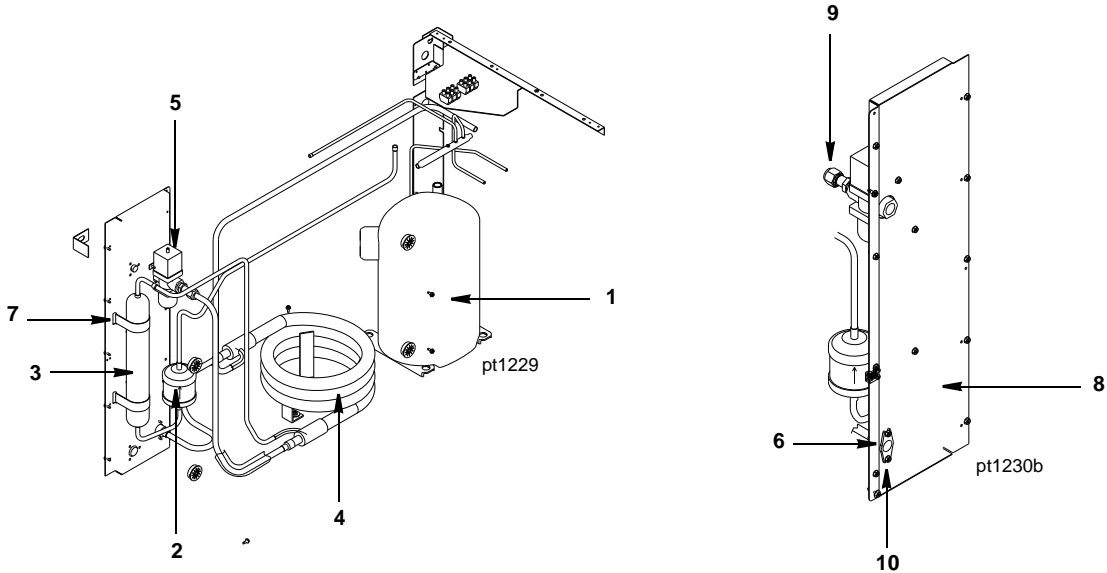
	<b>PART NO.</b>
1 Compressor (Refer to COMMON PARTS Page) . . . . .	Page 4
2 Air Condenser . . . . .	8851283
3 Fan Motor (208-230V/60 Hz or 230V/50 Hz) . . . . .	† 7626733
4 Fan Blade . . . . .	2416113
5 Fan Cycling Control . . . . .	† 2001273
6 Air Filter (Not shown) . . . . .	4040243
7 Drier . . . . .	† 8930279

### Miscellaneous – Brackets, Screws, etc.

8 Air Filter Clip . . . . .	† 5650699
9 Fan Shroud . . . . .	† 6045181
10 Fan Motor Mounting Bracket . . . . .	3006823
11 Fan Motor Mounting Screw . . . . .	† 5033589
a. Fan Motor Mounting Lockwasher . . . . .	† 5545109
b. Fan Motor Mounting Hexnut . . . . .	† 5429529
12 Fan Bracket Mounting Screw . . . . .	† 5033589
13 Fan Bracket Mounting Lockwasher . . . . .	† 5545109
14 Fan Bracket Mounting Flatwasher . . . . .	† 5573059
15 Fan Bracket Mounting Rubber Wellnut . . . . .	† 5429559
16 Screw, #10-24 x 0.50 . . . . .	† 5202069

† Refer to Cross Reference Guide

# Q1300 REFRIGERATION COMPARTMENT – WATER-COOLED



**DESCRIPTION**

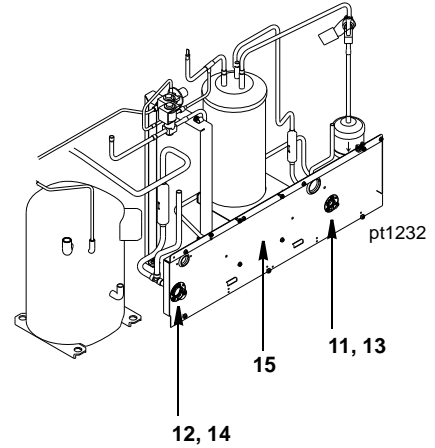
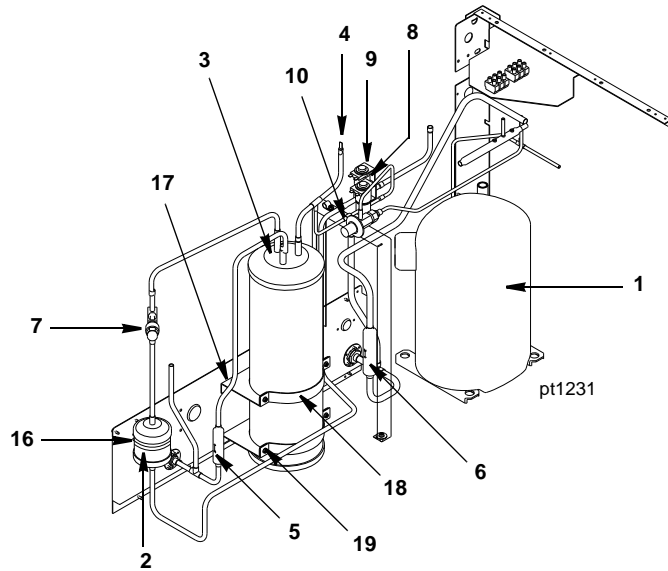
DESCRIPTION	PART NO.
1 Compressor (Refer to COMMON PARTS Page) .....	Page 4
2 Drier .....	8930279
3 Receiver .....	000008894
4 Water-cooled Condenser .....	† 000001508
5 Water Regulating Valve .....	8372123
6 Water Drain Female Wing Adapter .....	8706083

**Miscellaneous – Brackets, Screws, etc.**

7 Receiver Strap .....	6000541
8 Back Panel .....	6019051
9 Water Coupling .....	8334193
10 Screw, #10-24 x 0.50 .....	† 5202069

† Refer to Cross Reference Guide

## Q1300 REFRIGERATION COMPARTMENT – REMOTE

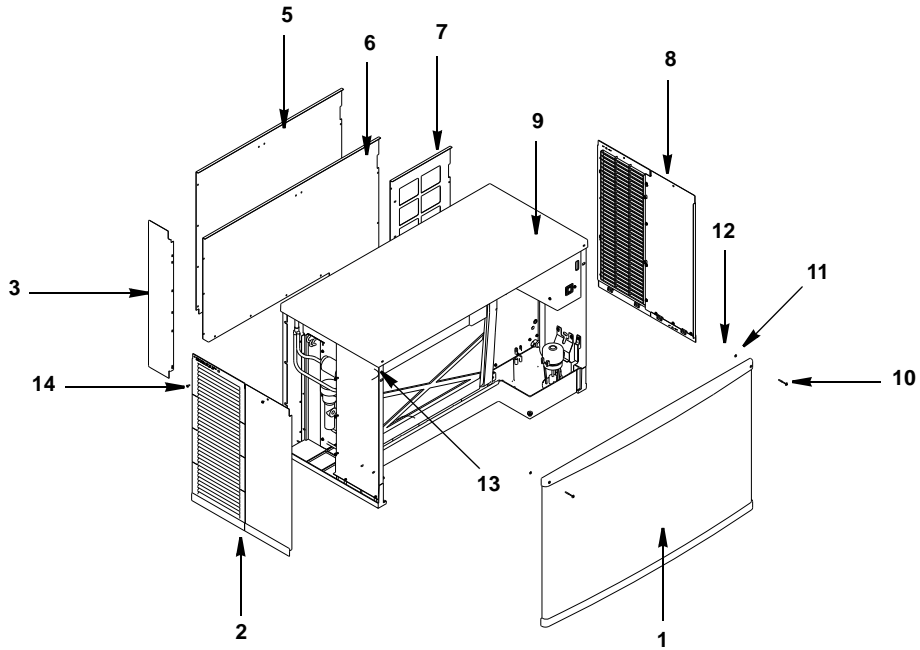


### DESCRIPTION

	<b>PART NO.</b>
1 Compressor (Refer to COMMON PARTS) . . . . .	Page 4
2 Drier . . . . .	8930279
3 Receiver . . . . .	† 7629583
4 Safety Soft Plug . . . . .	No Longer Available
5 Magni-Check Valve . . . . .	† 8373149
6 Magni-Check Valve . . . . .	† 8373159
7 Refrigeration Service Valve . . . . .	† 8373169
a. Cap for Refrigeration Service Valve . . . . .	5650753
8 <b>Harvest Pressure Regulating Solenoid (HPR) Valve</b>	
a. HPR Valve Including 208-230V/50-60 Hz Electrical Coil (Danfoss) . . . . .	† 7630061
b. HPR Valve 208-230V/50-60 Hz Coil Only Danfoss. . . . .	000005157
c. HPR Valve 208-230V/50-60 Hz Coil Only Alco. . . . .	† 2404483
9 <b>Liquid Line Solenoid (LLS) Valve</b>	
a. LLS Valve Including 208-230V/50-60 Hz Electrical Coil . . . . .	7630101
b. LLS Valve 208-230V/50-60 Hz Coil Only Alco . . . . .	† 2404483
10 Harvest Pressure Regulating Valve (HPR) . . . . .	† 8367793
11 Coupling – Male, 5/8-18. . . . .	† 8360343
12 Coupling – Male, 1-1/6-12 . . . . .	† 8360353
<b>Miscellaneous – Brackets, Screws, etc.</b>	
13 Coupling Mounting Flange for 5/8-18. . . . .	8360053
14 Coupling Mounting Flange for 1-1/16-12 . . . . .	8360063
15 Back Panel. . . . .	6019051
16 Drier Plastic Tie . . . . .	† 5650359
17 Receiver Mounting Bracket . . . . .	6000561
18 Receiver Mounting Strap . . . . .	6307214
19 Screw, #10-24 x 0.50 . . . . .	† 5202069

† Refer to Cross Reference Guide

## Q1300 PANELS



pt1233

### DESCRIPTION

	<b>PART NO.</b>
1 Front Panel Assembly .....	7628793
2 Left Side Panel .....	† 7628593
3 Air Baffle .....	6023761
4 Air Filter (Not shown) .....	4040243
5 Back Panel, Water .....	6025991
6 Back Panel, Remote .....	6026071
7 Back Panel, Air .....	6045171
8 Right Side Panel .....	† 7628603
9 Top Cover .....	4303323

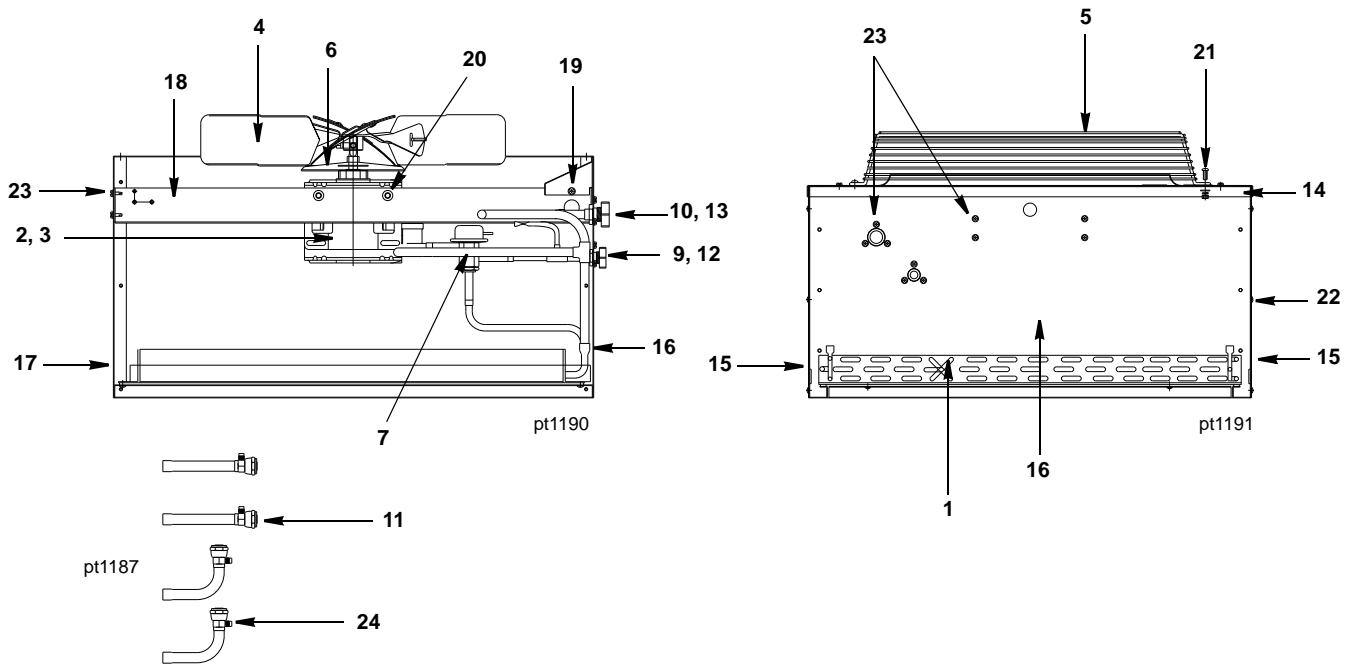
### Miscellaneous – Brackets, Screws, etc.

10 Front Cover Screw .....	† 5119019
11 Front Cover Washer .....	† 5573389
12 Front Cover Screw Retainer .....	† 5648279
13 Speed Nut Assembly to Mount Front Cover .....	† 5473039
14 Screw, #10-24 x 0.50 Flat .....	† 5202099
15 Extruded Tape (Not shown) .....	† 9202509

**NOTE:** Items 10, 11, 12 and 13 can be ordered as assembly 7628983.



## JC1395 REMOTE CONDENSER (USED WITH Q1300 REMOTE ICE MACHINES)



DESCRIPTION	PART NO.
1 Air Condenser . . . . .	8850903
2 Fan Motor (208-230V/50-60 Hz/1 Ph) . . . . .	† 7629413
3 Fan Motor Run Capacitor (Emerson) . . . . .	8504583
3 Fan Motor Run Capacitor (Magnatec) . . . . .	No Longer Available
4 Fan Blade . . . . .	2416113
5 Fan Guard . . . . .	3400643
6 Rain Slinger . . . . .	2415053
7 Head Pressure Control . . . . .	000004070
8 Terminal Block . . . . .	000008040
9 Coupling – Male, 5/8-18 . . . . .	† 8360343
10 Coupling – Male, 1-1/6-12 . . . . .	† 8360353
11 Female Line Set Coupling Kit (Sold as Finished Goods Sales Kit) . . . . .	Sales K0129
<b>Miscellaneous – Brackets, Screws, etc.</b>	
12 Coupling Mounting Flange (for 5/8-18) . . . . .	8360053
13 Coupling Mounting Flange (for 1-1/16-12) . . . . .	8360063
14 Top Cover . . . . .	6017891
15 Panel – Side . . . . .	† 6017901
16 Panel – Rear . . . . .	6017911
17 Panel – Front . . . . .	† 6017921
18 Fan Motor Mounting Bracket . . . . .	† 6017681
19 Electrical Box Cover . . . . .	† 6017761
20 Fan Motor Mounting Screw (5/16-18 x 5/8) . . . . .	† 5035659
a. Fan Motor Mounting Flatwasher . . . . .	† 5573099
b. Fan Motor Mounting Lockwasher . . . . .	† 5573139
c. Fan Motor Mounting Hexnut . . . . .	5429759
21 Fan Guard Mounting Screw (1/4-20 x 5/8) . . . . .	† 5033459
a. Fan Guard Mounting Flatwasher . . . . .	† 5573049
b. Fan Guard Mounting Lockwasher . . . . .	† 5545119
c. Fan Guard Mounting Hexnut . . . . .	† 5429529
22 Panel/Condenser Mounting Screw (#8 x 1/2) . . . . .	† 5121539
a. Panel/Condenser Mounting Lockwasher . . . . .	† 5544599
23 Screw (#10-24 x 0.62) . . . . .	† 5202059
24 Valve Cores (used in line sets) . . . . .	7626843
25 Legs (Not shown) . . . . .	† 6017691

† Refer to Cross Reference Guide

**INTENTIONALLY LEFT BLANK**