

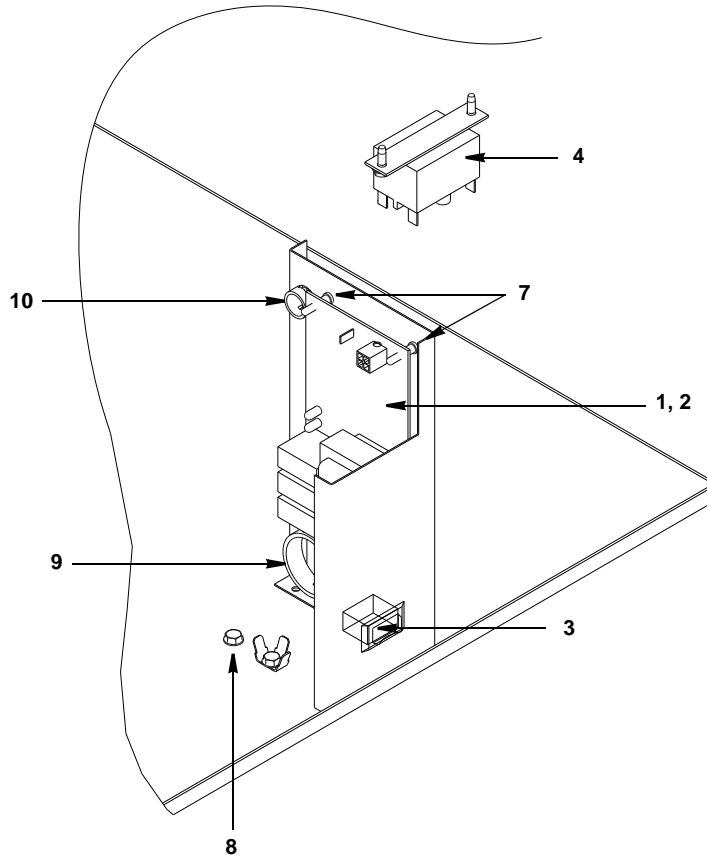


Ice Machine Parts List for Series QM45 Models

QM45A

QM45AE

QM45 CONTROL BOX



DESCRIPTION

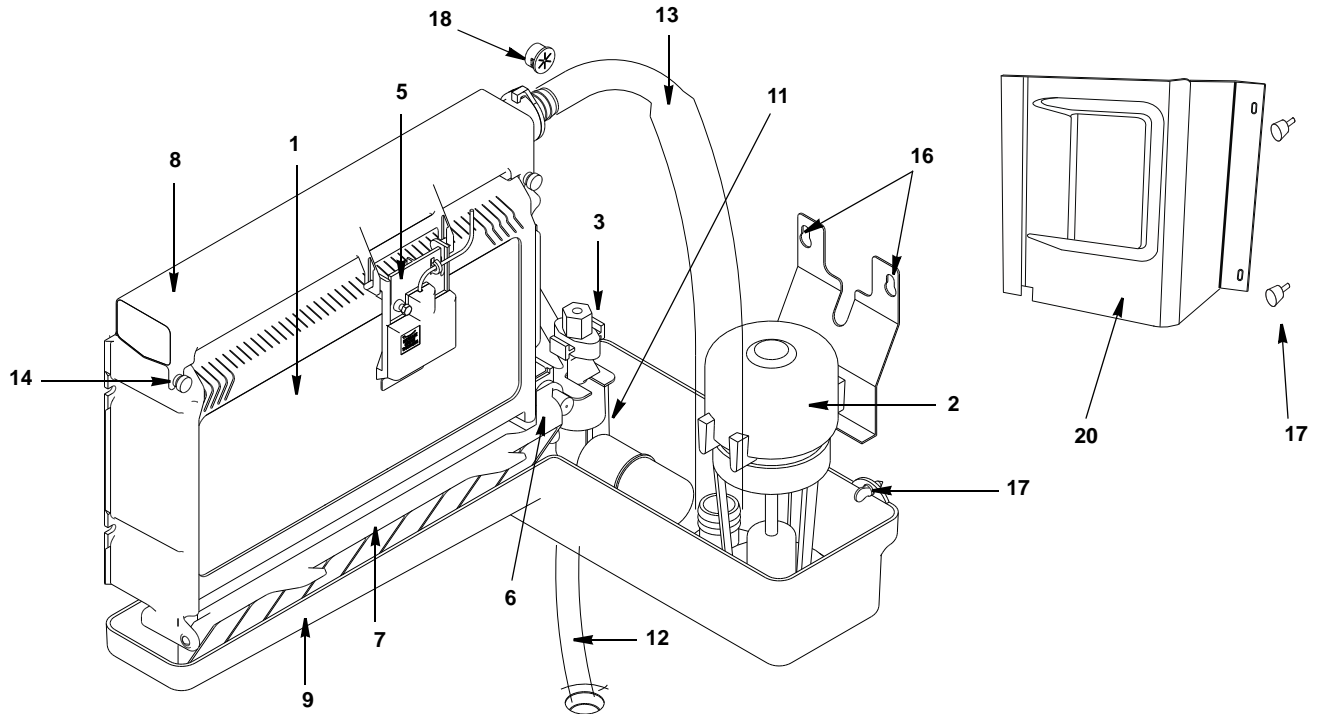
DESCRIPTION	PART NO.
1 Control Board (for use with all voltages)	† 7629073
2 10 Amp Fuse – Mounted on Control Board	2511493
3 Toggle Switch Only	2301513
a. Toggle Switch Wiring Harness Only	2032483
4 Relay	
a. 115V/60 Hz/1 Ph	8505533
b. 230V/50-60 Hz/1 Ph	8505543
5 Wiring Harness	
a. Air-Cooled (Not shown)	2008303
6 Power Cord	
a. 125V/60 Hz (Not shown)	040001218
b. 230V/50 Hz (Not shown)	2033023

Miscellaneous – Brackets, Screws, etc.

7 Control Board Mounting Supports	4302253
8 Screw, #10-24 x .50 Ground	5202323
9 Bushing	† 2500139
10 Bushing	† 2502189

† Refer to Cross Reference Guide

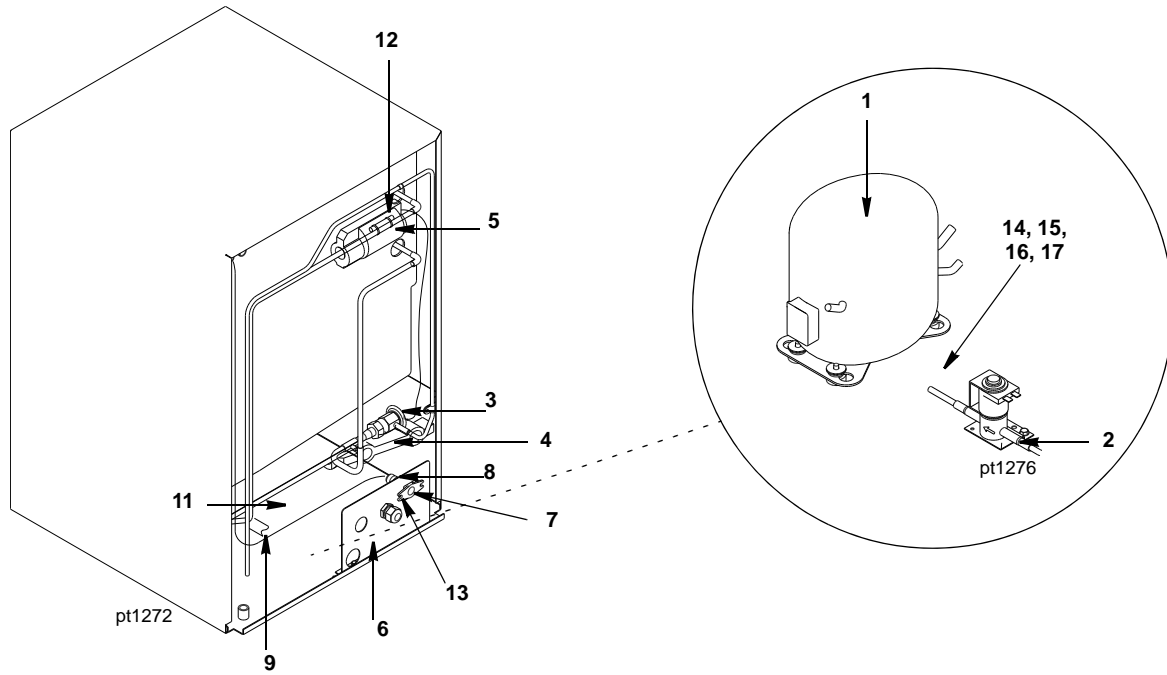
QM45 EVAPORATOR ASSEMBLY



DESCRIPTION		PART NO.
1 Evaporator Assembly		
a. Dice Cube		† 7629463
2 Water Pump		
a. 115V/60 Hz		† 7623063
b. 230V/50 Hz - Up to Serial Number 310145261		† 7626013
c. 230V/50 Hz - After Serial Number 310145261		040000946
3 Float Valve (Complete Assembly) - Up to Serial Number 031100000		† 7602133
4 Float Valve (Complete Assembly) - After Serial Number 031100000		8369049
a. Float Valve Screen		† 8369069
b. Float Valve Plunger		† 8369089
c. Float Valve Compression Nut		† 5650729
d. Bracket		7621403
5 Ice Thickness Control Probe		† 7601603
6 Magnetic Bin Switch (Mounted to Evaporator)		† 2301483
7 Ice Damper		† 7600493
a. Ice Damper Magnet and Cap		7629093
8 Water Distribution Tube		000007163
9 Water Trough		040001233
10 Water Inlet Tubing (Not shown)		4420291
11 Siphon Cap		4302223
Miscellaneous – Brackets, Screws, etc.		
12 Drain Tube		† 7600863
13 Tubing (Water Pump Out)		040001234
14 Screw, #8-32 x 0.625 Nylon Water Distribution Tube Mounting		040001217
15 Screw, #10-24 x 0.750 Used to Mount Evaporator (Not shown)		† 5202189
16 Screw, #10-24 x 0.50		† 5202069
17 Thumbscrew, #8-32 x 0.625		040001217
18 Bushing (Ice Thickness Probe Wire)		† 2500169
19 Water Pump Lead (Not Shown)		2078063
20 Water Pump Cover		000006754

† Refer to Cross Reference Guide

QM45 REFRIGERATION COMPARTMENT – COMMON PARTS

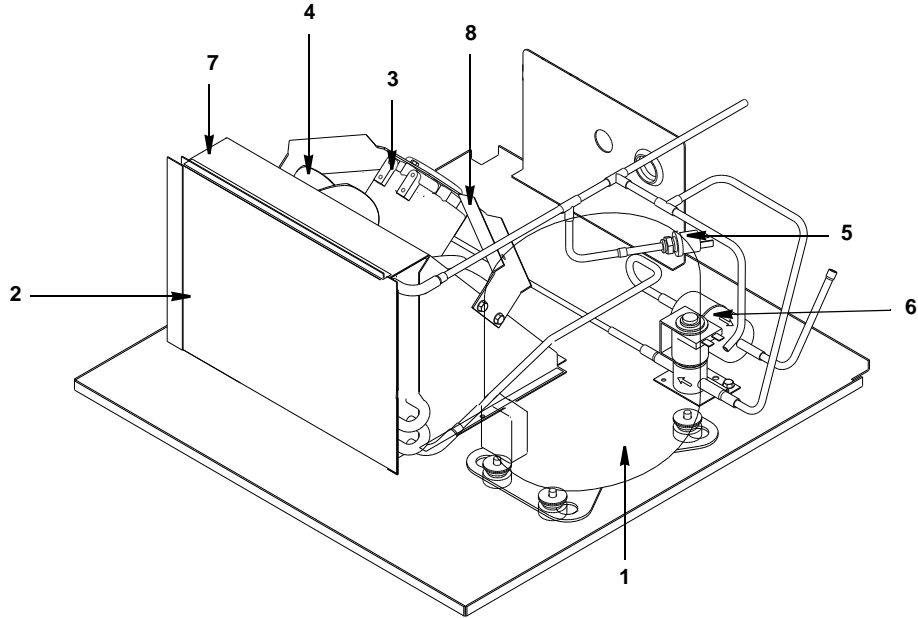


DESCRIPTION

	DESCRIPTION	PART NO.
1	Compressor	
	a. 115V/60 Hz/1 Ph	† 7629183
	b. Overload for Compressor	† 8505683
	c. Starting Device	8505703
	d. 230V/50 Hz/1 Ph	† 7629193
	e. Overload for Compressor	† 8505503
	f. Starting Device	8505693
2	Hot Gas Valve	
	a. Hot Gas Valve Including 115V 60 Hz Electrical Coil (Danfoss)	† 7630001
	b. Hot Gas Valve 115V Coil Only Danfoss	000005156
	c. Hot Gas Valve 115V Coil Only Alco	2404363
	d. Hot Gas Valve Including 208/230V 50/60 Hz Electrical Coil (Danfoss)	† 7630061
	e. Hot Gas Valve 230V/50 Hz Coil Only Danfoss	000005157
	f. Hot Gas Valve 230V/50 Hz Coil Only Alco	† 2404483
3	Expansion Valve	† 7629503
4	Expansion Valve Body Insulation Boot	4007213
5	Expansion Valve Bulb Insulation Boot	4007203
Miscellaneous – Brackets, Screws, etc.		
6	Bracket (Water/Electrical Inlet)	6035151
7	Water Inlet Female Wing Adapter	† 8706093
8	Male Connector 1/4" OD x 1/8" NTPF	1360961
9	Bin Drain Tubing (Molded)	4421443
10	Bin Drain Hose Clamp (Not shown)	† 5650649
11	Water Inlet Tubing 0.375 ID	4420291
12	Clamp, Expansion Valve Bulb	† 5650529
13	Screw, #10-24 x 0.50	† 5202069
14	Compressor Mounting Retainer	† 5648269
15	Compressor Mounting Washer	† 5573179
16	Compressor Clevis Pin 1/4" x 1"	† 3712109
17	Compressor Hairpin Clip	† 5648289

† Refer to Cross Reference Guide

QM45 REFRIGERATION COMPARTMENT – AIR-COOLED

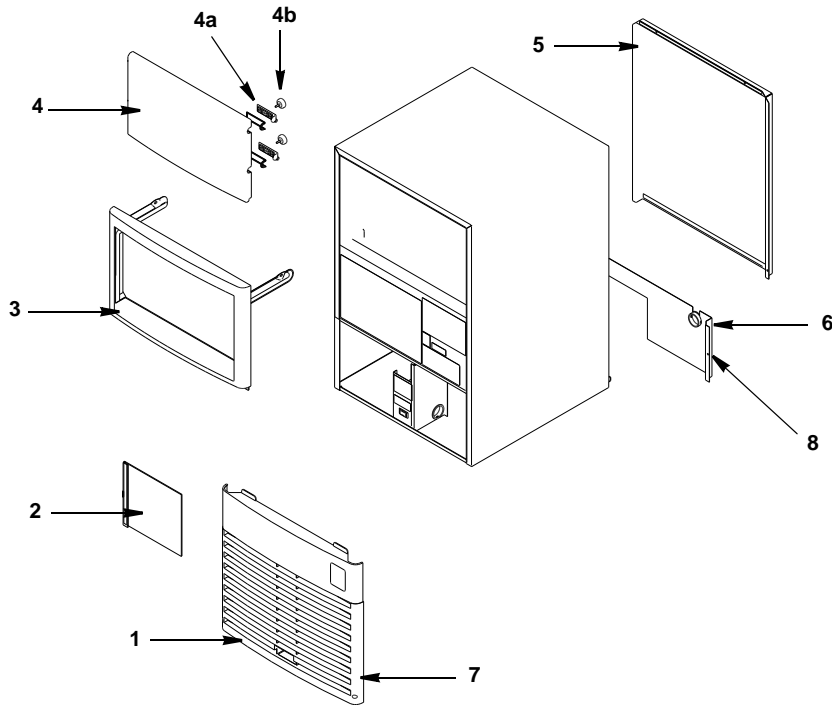


DESCRIPTION

	PART NO.
1 Compressor (Refer to COMMON PARTS Page)	Page 4
2 Air Condenser	8851353
3 Fan Motor	
a. 115V	2000223
b. 230V/50 Hz	2000213
4 Fan Blade	2416243
5 Fan Cycling Control	2355453
6 Drier	†8930259
Miscellaneous – Brackets, Screws, etc.	
7 Fan Shroud	6061749
8 Fan Motor Mounting Bracket	6029401

† Refer to Cross Reference Guide

QM45 PANELS



DESCRIPTION

			PART NO.
1	Front Panel Assembly		7629213
2	Air Filter		7629223
3	Door Frame Assembly		040000627
4	Bin Door		040002220
	a. Door Pin Gasket and Door Pin Assembly		7629233
	b. Door Pin Thumbscrews		5012353
5	Back Panel, Upper	†	6047101
6	Back Panel, Lower		6029461

Miscellaneous – Brackets, Screws, etc.

7	Front Cover Screw	†	5202239
8	Screw, #10-24 x 0.50	†	5121539
9	Ice Scoop (Not shown)		3302583

† Refer to Cross Reference Guide