

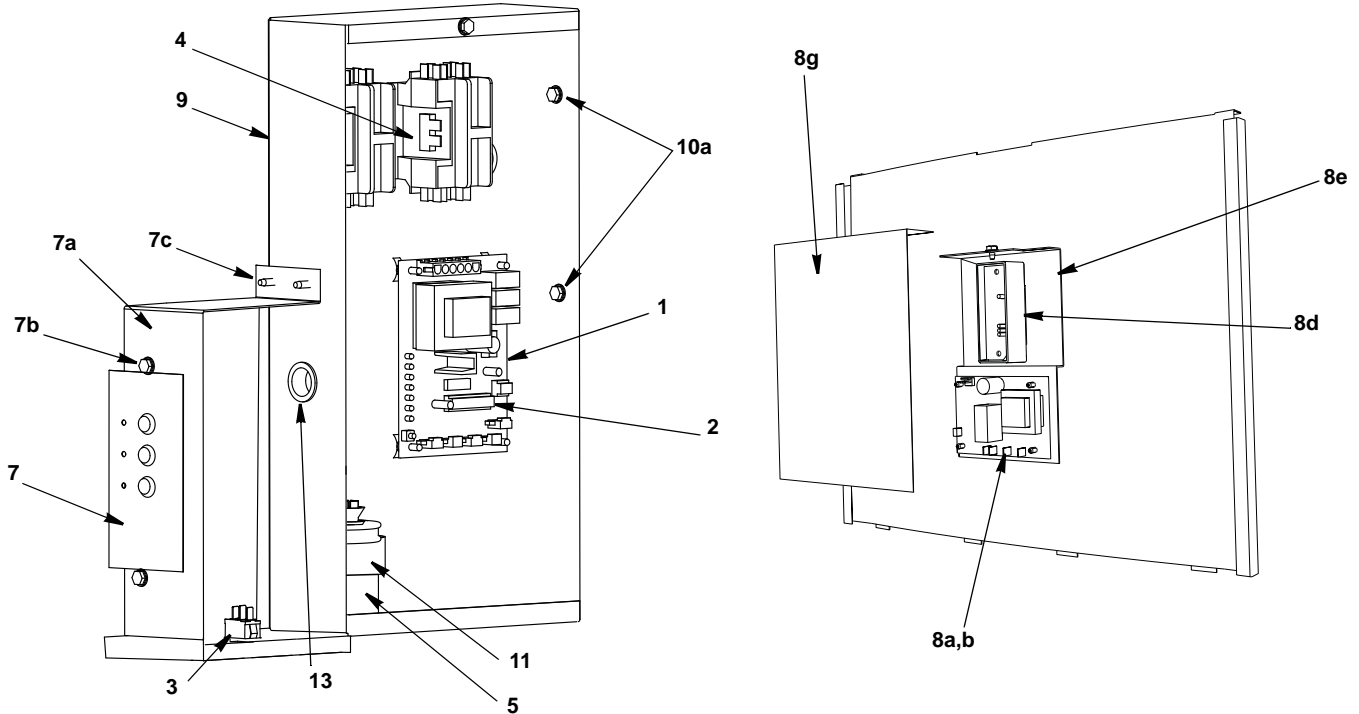


**Ice Machine Part List for  
RNS Series CounterTop Models**

**RNS012A**

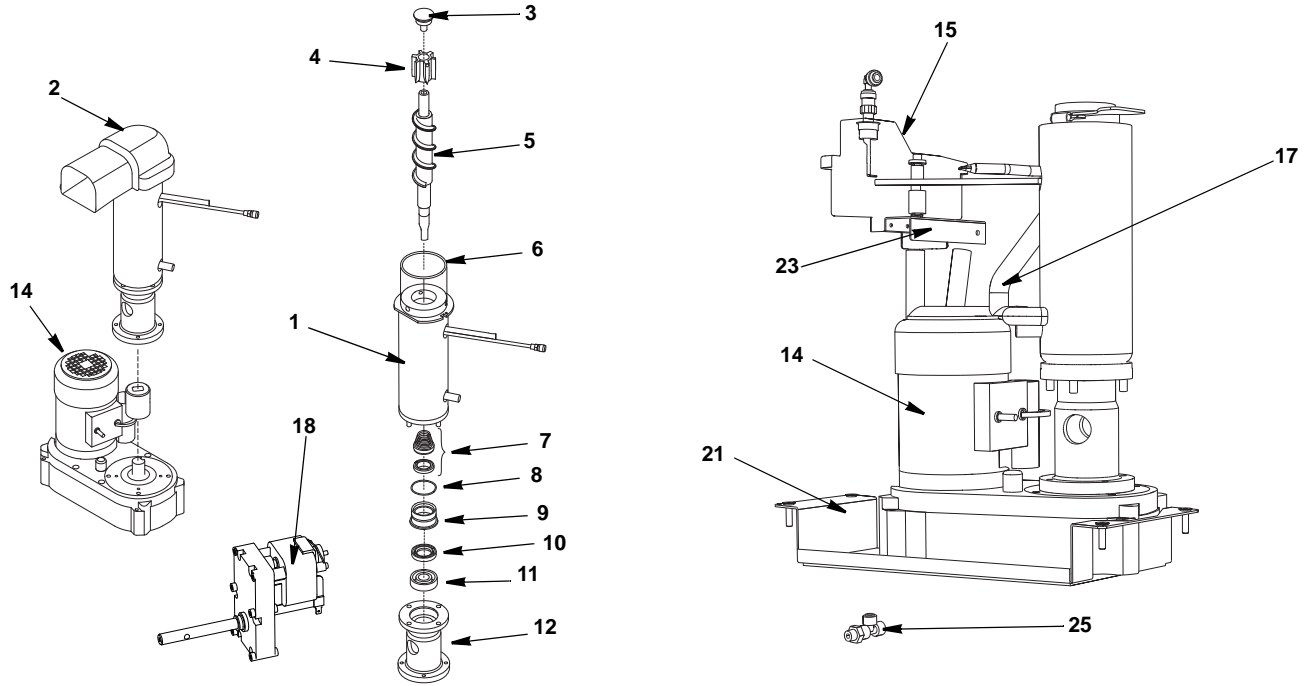
**RNS020A**

# RNS012 RNS020 CONTROL BOX



DESCRIPTION	PART NUMBER
1 Control Board (for use with all voltages) .....	000001238
a. Supports .....	4302253
2 10 amp Fuse – Mounted on Control Board (Not shown) .....	2511493
3 <b>Toggle Switch</b> .....	2007939
a. Toggle Switch Wiring Harness .....	2009873
4 <b>Contactor</b>	
a. 115V/60 Hz/1 Ph .....	2006589
b. 230V/50-60 Hz/1 Ph .....	2006599
5 <b>Run Capacitor</b> (for gear motor)	
a. 115V/60 Hz/1 Ph .....	
b. 230V/50 Hz/1 Ph .....	
6 Wiring Harness - Power (Not shown) .....	000008274
7 <b>Selector Switch</b> .....	2009523
a. Bracket .....	6067221
b. Screw (12-16 x 0.5) Mounts Selector Switch to Bracket .....	5012319
c. Screw (10-24 x 0.5) Mounts Bracket to Control Box .....	5202069
d. Wiring Harness - Selector Switch .....	2009723
8 <b>Touch Less Dispensing</b>	
a. Control Board 115V .....	000000308
b. Control Board 230V .....	000000186
c. Control Board Support .....	000000187
d. Sensor Block Assembly .....	000008173
e. Bracket .....	000000185
f. Screw .....	000000332
g. Mylar Shield .....	000000580
h. Wiring Harness .....	000000310
<b>Miscellaneous – Brackets, Screws, etc.</b>	
9 Control Box .....	000008461
10 Control Box Cover (Not shown) .....	000000734
a. Screw .....	5202069
11 Capacitor Mounting Strap .....	6024953
12 Screw (10-24 x 3/8) Mounts Contactor .....	5202109
13 Bushing (Side of Control Box) .....	2501409
14 Bushing (Bottom of Control Box) .....	2500139

# RNS012 RNS020 EVAPORATOR ASSEMBLY

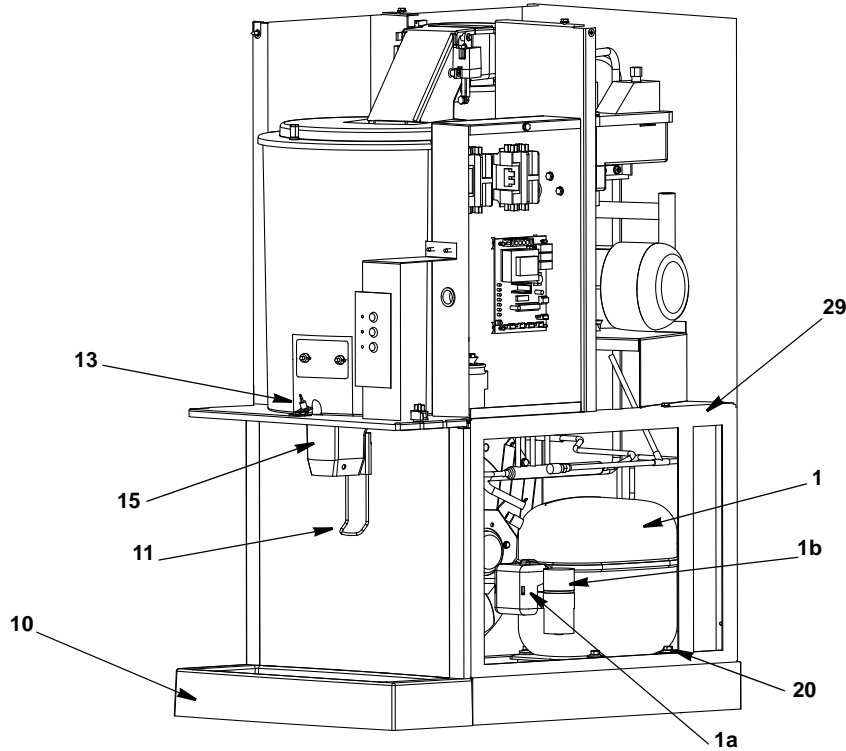


## DESCRIPTION

## PART NUMBER

1	<b>Evaporator Assembly</b>	
	a. Entire Evaporator Assembly	000008357
	b. Cutter Head/Upper Bearing Assembly	000004018
2	Ice Exhaust	000008952
3	Ice Wiper Stud	000008347
4	Extruder with bushing	000008348
5	Auger	000008349
6	OR Gasket	000008350
7	Water Seal	000008326
8	OR Gasket	000005583
9	Water Seal Retainer	000005782
10	Seal Ring	000008354
11	Bearing	000008355
12	Foundation	000008356
13	Joint	000008358
14	<b>Gear Box/Motor Assembly</b>	
	a. 115V/60 Hz/1 Ph.	000005697
	b. 230V/60 Hz/1 Ph.	000005698
	c. Wiring Harness	000008631
15	<b>Float Chamber Assembly (includes float, switch, cover &amp; housing)</b>	000006516
	a. Float Switch Only	2008633
	b. Float Chamber Only	000006515
16	Water Dispense Valve	
	a. 115V/60 Hz/1 Ph.	2009093
	b. 230V/50 Hz/1 Ph.	2009103
	c. Elbow 3/8 x 1/4	5002943
17	Molded Vinyl Tube	000008205
18	Dispenser Motor	
	a. 115V/60 Hz/1 Ph.	000002191
	b. 230V/50 Hz/1 Ph.	000002192
<b>Miscellaneous – Brackets, Screws, etc.</b>		
19	Dispenser Motor	
	a. Bracket	000007423
	b. Screw	5003383
	c. Lockwasher	5573209
20	Float Valve Bracket	6066101
	a. Screw	5202069
	b. Nut	5650729
21	Gear Motor Mounting Base	000008007
22	Evaporator Mounting to Bracket	
	a. Bracket	6069201
	b. Bolt	5005423
	c. Flatwasher	5573059
	d. Lockwasher	5573139
23	Evaporator Mounting to Gear Motor	
	a. Bolt	5005653
	b. Flatwasher	5005663
	c. Lockwasher	5005673
	d. Screw	5202069
24	Molded Vinyl Tube Clamps	5650649
25	Male Swivel Tee	2009483

# RNS012 RNS020 REFRIGERATION COMPARTMENT



## DESCRIPTION

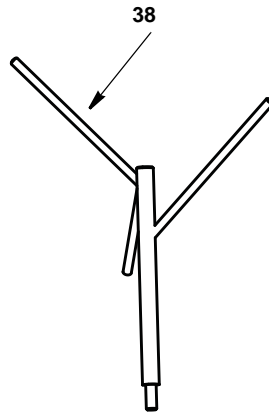
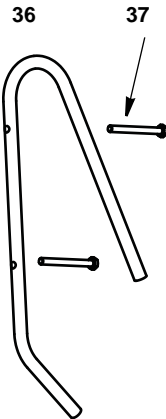
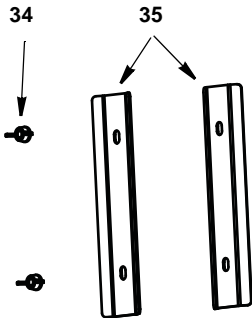
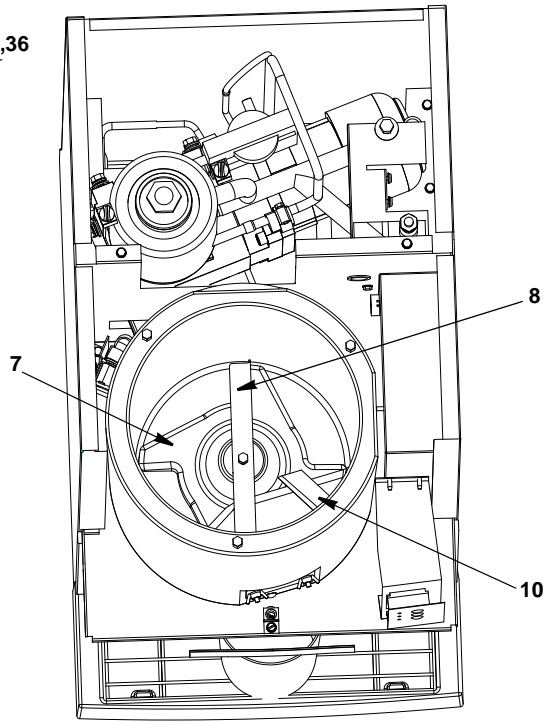
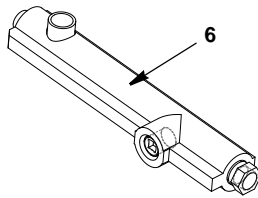
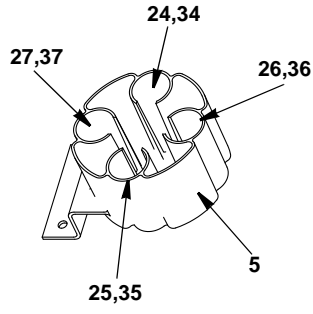
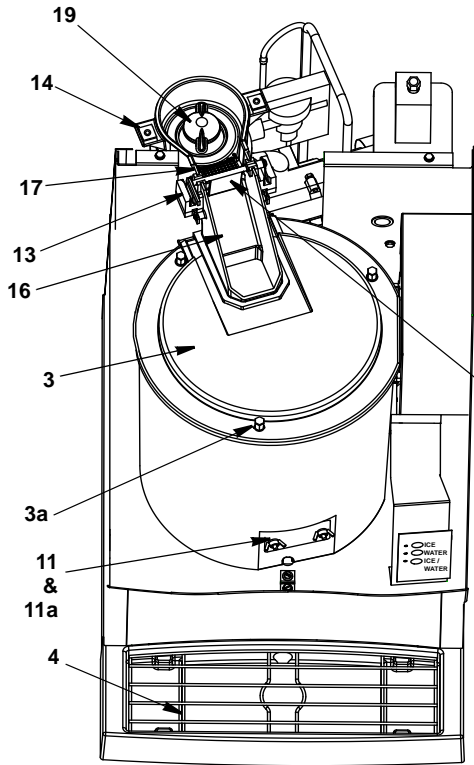
## PART NUMBER

1	<b>Compressor</b>	
	115V/60 Hz/1 Ph. ....	7601323
	a. Current Relay/Overload Assembly . . . . .	2002043
	b. Start Capacitor. ....	2002033
	230V/50 Hz/1 Ph. ....	7601333
	a. Current Relay/Overload Assembly . . . . .	2004873
	b. Start Capacitor. ....	2004863
2	<b>Water Dump Valve</b>	
	a. Dump Valve 120V/60 Hz/1 Ph. ....	000007429
	b. Dump Valve 230V/50-60 Hz . . . . .	000007428
3	<b>Expansion Valve</b> . . . . .	000010515
4	Expansion Valve Body Insulation Boot . . . . .	
5	Expansion Valve Bulb Insulation Boot . . . . .	
	a. Copper Expansion Valve Bulb Strap . . . . .	3000833
	b. Clamp . . . . .	† 5650529
6	High Pressure Control . . . . .	† 2001243
7	Low Pressure Switch . . . . .	000004012
8	Manifold Strainer. ....	8310233
9	Liquid Line Drier . . . . .	8930259
10	Drain Tray . . . . .	4013423
	a. Grill/Wire Drain Tray Rack. . . . .	3006573
11	Dispenser Arm . . . . .	4014783
12	Lever Bracket . . . . .	6068631
13	LED Bulb Holder (when used) . . . . .	6072981
14	Blue LED Light . . . . .	2009463
15	Ice Dispense Chute . . . . .	000002247
16	Momentary Switch . . . . .	2009453
17	Mylar Shield (between momentary switch and dispensing motor) . . . . .	000000083
18	Water Dispense Tubing - 21.5 inches. ....	9000853

**Miscellaneous – Brackets, Screws, etc.**

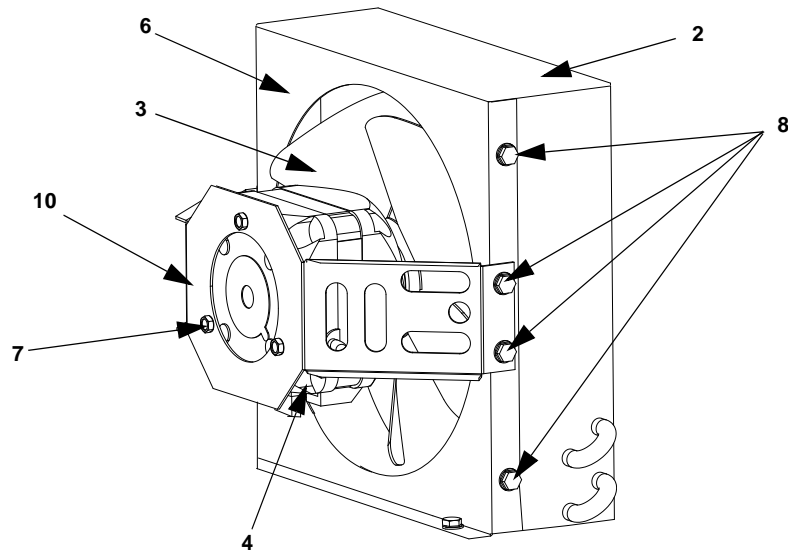
19	Access Valves . . . . .	8373253
20	Compressor Mounting	
	a. Grommet . . . . .	5004203
	b. Screw . . . . .	5000939
	c. Sleeve . . . . .	5004213
	d. Washer . . . . .	5000979
	e. Bushing . . . . .	2512043
21	Water Inlet Female Wing Adapter . . . . .	† 8706093
	a. Screw . . . . .	† 5202069
22	Swivel Tee Male . . . . .	2009483
23	Water Inlet Tubing 1/4" (Not shown) . . . . .	4420291
24	Water Inlet Tubing Insulation (Not shown) . . . . .	6039081
25	Power Cord Bushing . . . . .	2500139
26	Strain Relief . . . . .	2512043
	a. Power Cord 115/60/1 . . . . .	000000081
	b. Power Cord 230/50/1 . . . . .	000000082
27	Water Dump Valve Bracket . . . . .	6066241
	a. Screw . . . . .	5202329
28	Drain Tray	
	a. Vinyl Tube . . . . .	4015853
	b. Clamp . . . . .	5650663
29	Support Bracket	
	a. RNS12 . . . . .	000006716
	b. RNS20 . . . . .	000008004
30	Suction Line	
	a. RNS12 . . . . .	000010517
	b. RNS20 . . . . .	000010518
31	Liquid Line	
	a. RNS12 . . . . .	000008458
	b. RNS20 . . . . .	000008196
32	Coupling Male Reducing 3/8" x 1/4" . . . . .	5000673

# RNS012 RNS020 REFRIGERATION COMPARTMENT (CONTINUED)



DESCRIPTION	PART NUMBER
1 Bin Liner	
a. RNS12	4013313
b. RNS20	4015023
2 Bottom Adapter (1/2 N.P.T. x 1/2 Barbed) Not Shown	5005623
3 Cover	4014453
a. Thumbscrew	5305123
4 Grill/Wire Drain Tray Rack	3006573
5 Four into One Drain	4015073
a. Screw	5202069
6 Interchangeable Drain Tube	6072021
7 Dispense Wheel	000002201
a. Thumbscrew	5005523
8 Agitator Bar	000002203
a. Washer (white)	000000325
b. O-ring	000002243
9 Drive Pin (not shown)	5005823
10 Ice Deflector	4015533
11 Support Plate	6069031
a. Wingnut	5005503
12 Hall Effect Switch with Wiring	2009793
13 Hall Effect Switch Housing	2009803
a. Screw	5121629
14 Receptacle	5650853
a. Wing-head	5000453
15 Damper Door	4014443
16 Ice Chute	4013363
17 Strainer Ramp	4014883
18 Chute Cover (clear plastic)	4013463
19 Ice Wiper	000002062
20 Thumbscrew (RNS12 Only)	5005523
21 Dispenser Motor	
a. 115V/60 Hz/1 Ph	000002191
b. 230V/60 Hz/1 Ph	000002192
c. Thumbscrew	000002245
d. Washer (white)	000000325
<b>Miscellaneous – Brackets, Screws, etc.</b>	
22 Secure Ice Chute to Evaporator	
a. Clamp Assembly	000000464
b. Clamp Seal	000005183
23 Secure Dispenser Motor to Bin	
a. Lockwasher	5573209
b. Screw	5202069
<b>RNS12 Tubing (four in one drain)</b>	
24 Condensate Drain 16"	4420383
25 Dump Valve 17"	4420383
26 Float Overflow	4015763
27 Bin Drain 11.5"	4420383
28 Hose Clamp	5650609
<b>RNS20 Tubing (four in one drain)</b>	
29 Condensate Drain 23"	4420383
30 Dump Valve 24.75"	4420383
31 Float Overflow	4015943
32 Bin Drain 11.5"	4420383
33 Hose Clamp	5650609
<b>RNS20 Model Only</b>	
34 Wingnut	5005503
35 Ice Breaker Mounting Bracket (1 piece)	000002198
36 Ice Breaker	000002197
37 Mounting Bolts	000002244
38 Upright Agitator Bar	000002196
39 Upright Agitator Bar - Obsolete - Replaced by Kit	
a. 115V/60 Hz/1 Ph	000002776
b. 230V/60 Hz/1 Ph	000002777

# RNS012 RNS020 REFRIGERATION COMPARTMENT – AIR-COOLED



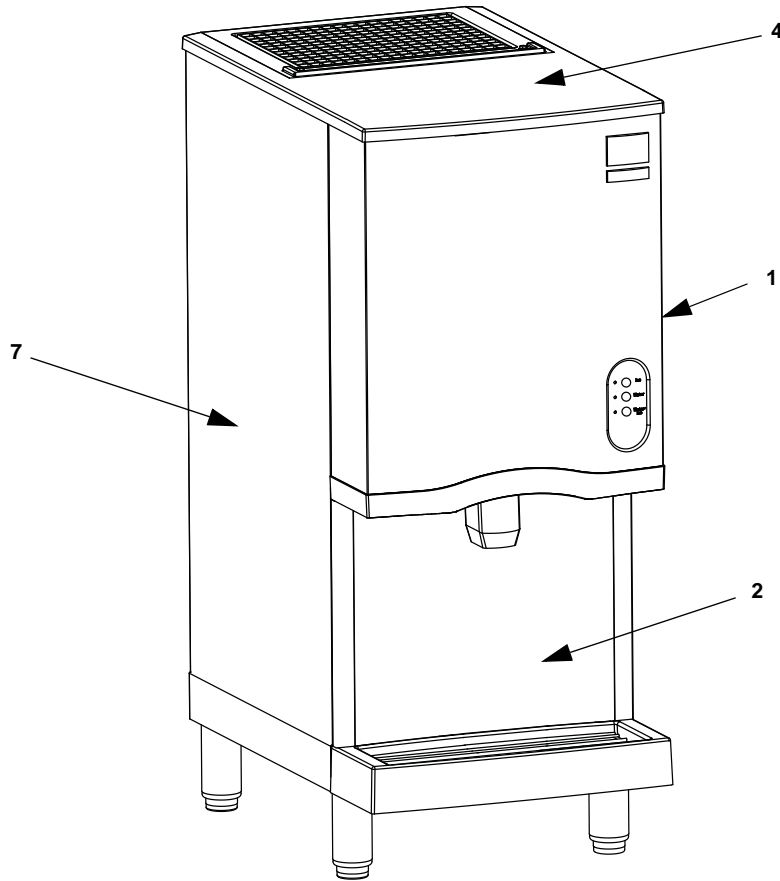
## DESCRIPTION

## PART NUMBER

1	Compressor (Refer to COMMON PARTS PAGE).....	Page 4
2	Air Condenser.....	8252859
3	Fan Blade.....	2416223
4	<b>Fan Motor</b>	
	a. 115V/1 Ph/60 Hz.....	000006656
	b. 208-230V/60 Hz or 230V/50 Hz.....	2412823
5	Fan Cycle Control.....	2001263
<b>Miscellaneous – Brackets, Screws, etc.</b>		
6	Fan Shroud.....	6065801
7	Fan Bracket Mounting Screw.....	5005513
8	Fan Motor Mounting Screw.....	5202069
9	Speed Nut (Fan Blade Mounting).....	† 5475079
10	Fan Motor Bracket.....	00000409



## RNS012 RNS020 PANELS



DESCRIPTION	PART NUMBER
1 Front Panel Assembly	
a. RNS12 .....	6068241
b. RNS20 .....	6070801
2 Lower Front Panel (Lever Activated) .....	6068481
2a Lower Front Panel (Touchless)	
a. Lower Front Panel Touchless Assembly 115V/60 Hz/1 Ph.....	000000338
b. Lower Front Panel Touchless Assembly 230V/60 Hz/1 Ph.....	000000383
c. Front Panel Label .....	000000645
3 Air Filter .....	8251713
4 Top Cover.....	4014463
5 Back Panel	
a. RNS12 .....	6068151
b. RNS20 .....	6071361
6 Right Side Panel	
a. RNS12 .....	000008006
b. RNS20 .....	6070821
7 Left Side Panel	
a. RNS12 .....	000008005
b. RNS20 .....	6071291
<b>Miscellaneous – Brackets, Screws, etc.</b>	
8 Screws, #10-24 x 0.50 (mounts back panel) .....	† 5202069
9 Thumbscrew (Top Cover).....	000000458
10 Side Panel Screws.....	5005573
11 Side Panel Nuts .....	000000741
12 Front Panel Screws (inside).....	5012349
13 Air Filter Screws .....	5202099
14 Front Panel Top End Cap.....	4014703
15 Top Cap Screws.....	5012349



