



## **Ice Machine Parts List for Series S1800 Models**

**SR1800A**

**SD1892N**

**SR1801W**

**SY1804A**

**SR1890N**

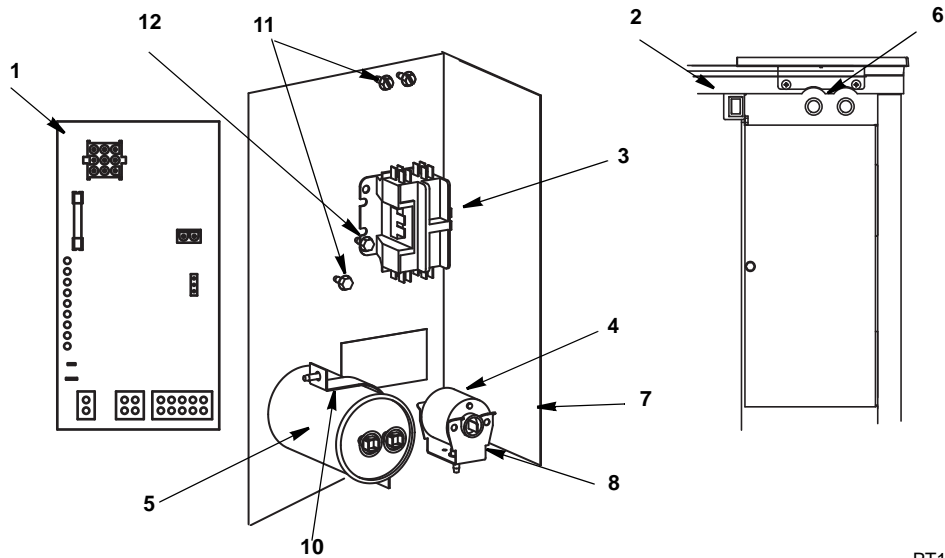
**SY1805W**

**SD1802A**

**SY1894N**

**SD1803W**

# S1800 CONTROL BOX

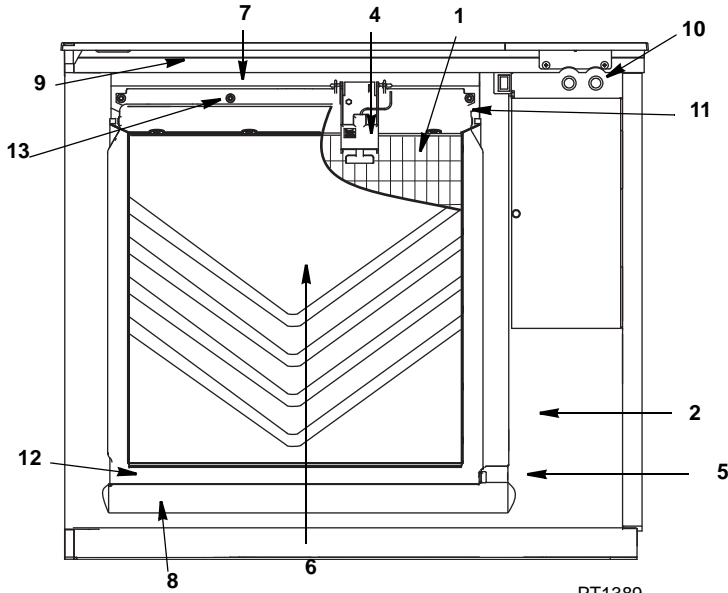


PT1388

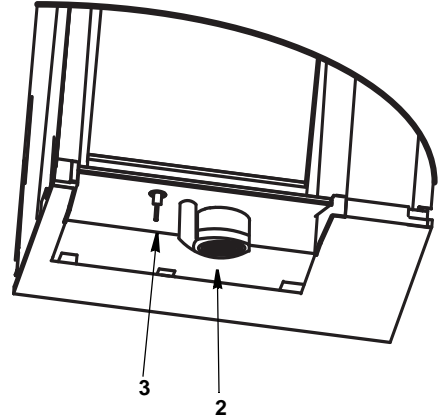
## DESCRIPTION

DESCRIPTION	PART NO.
1 Control Board (for use with all voltages) . . . . .	20-0619-9
a. 7 Amp Fuse – Mounted on Control Board . . . . .	000008240
2 <b>Toggle Switch</b> Only . . . . .	20-0793-9
a. Toggle Switch Wiring Harness . . . . .	20-0906-9
b. Toggle Switch Box . . . . .	40-1163-9
3 <b>Contactor</b>	
a. 208-230V/60 Hz/1 Ph or 230V/50 Hz 1Ph. . . . .	20-0908-9
b. 208-230V/60 Hz/3 Ph . . . . .	20-0661-9
4 P.T.C.R. Compressor Starter. . . . .	85-0491-3
5 Compressor Run Capacitor 208-230V/50/60 Hz/1 Ph)	
a. Before Manufacture Date 10/09 . . . . .	000000028
b. With/After Manufacture Date 10/09 . . . . .	000005488
6 Refrigeration Service Valve Assembly . . . . .	83-7326-3
<b>Miscellaneous – Brackets, Screws, etc.</b>	
7 Control Box . . . . .	76-0214-3
a. Control Box Cover (Not shown). . . . .	76-0315-3
b. Control Box Bracket. . . . .	606724-9
8 P.T.C.R. Compressor Starter Mounting Bracket . . . . .	85-0495-3
9 Control Board Mounting Supports (Not shown) . . . . .	43-0225-3
10 Capacitor Mounting Strap . . . . .	602495-1
11 Screw, #10-24 x .50 Ground . . . . .	52-0216-9
a. Star Washer. . . . .	55-7320-9
12 Screw, #10-24 x .50 . . . . .	52-0206-9
13 Control Box Wiring Harness (Not shown)	
a. 230/60/1. . . . .	20-0899-9
b. 230/60/3. . . . .	20-0897-9
c. 230/50/1. . . . .	20-0898-9
d. Harvest Air Assist Pump . . . . .	20-0900-9

# S1800 EVAPORATOR COMPARTMENT



PT1389

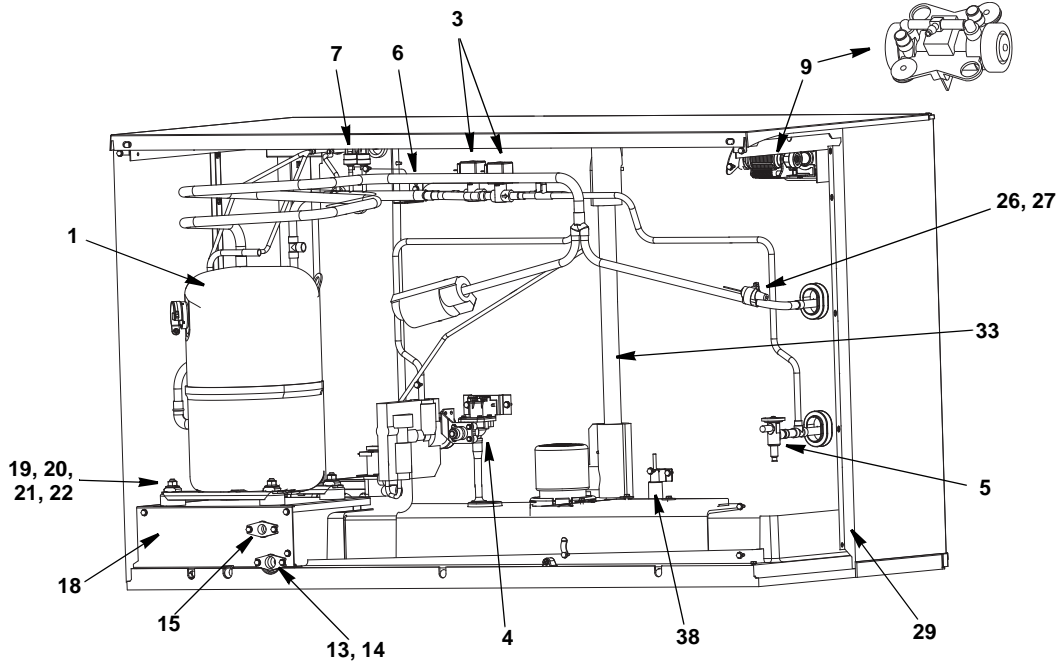


PT1390

## DESCRIPTION

			<b>PART NO.</b>
<b>1</b>	<b>Evaporator Assembly</b>		
	a. Regular Cube .....		76-0325-3
	b. Dice Cube .....		76-0326-3
	c. Half Dice Cube .....		76-0327-1
<b>2</b>	<b>Water Pump</b>		
	a. 230V/60 Hz .....		82-5270-9
	b. 230V/50 Hz .....		00000259
<b>3</b>	<b>Water Level Probe</b>		
	a. Wire, control box to probe .....		20-0654-9
<b>4</b>	<b>Ice Thickness Control Probe</b> .....		20-0916-9
<b>5</b>	<b>Magnetic Bin Switch</b> .....		20-0802-9
<b>6</b>	<b>Water Curtain</b> .....		000007888
<b>7</b>	<b>Water Distribution Tube Assembly</b> .....		40-1272-9
	a. O-Rings (Back of Distribution Assembly) .....		76-0319-3
<b>8</b>	<b>Water Trough</b> .....		50-0464-9
<b>9</b>	<b>Evaporator Top Filler Panel</b> .....		40-0915-9
	a. Stainless Steel Clamp .....		00000292
	b. Clamp Screw .....		606333-9
<b>10</b>	<b>Access Valve</b> .....		52-0209-9
<b>11</b>	<b>Evaporator Top Frame Assembly</b> .....		83-7326-3
<b>12</b>	<b>Water Diverter</b> .....		76-0320-3
	a. Thumbscrew .....		76-0318-3
			53-0512-3
<b>Miscellaneous – Brackets, Screws, etc.</b>			
<b>13</b>	<b>Screw, (Water Distribution Tube Mounting) Each</b> .....		50-0479-9
	a. O-Ring .....		50-0462-9
<b>14</b>	<b>Screw, #12-16 x .687 Used to Mount Evaporator (Each)</b> .....		50-0461-9
<b>15</b>	<b>Water Pump Base O-Ring</b> .....		50-0465-9
<b>16</b>	<b>Water Pump Outlet O-Ring</b> .....		50-0467-9
<b>17</b>	<b>Vinyl Tubing 0.625 ID (dump valve to drain adapter)</b> .....		000001382
	a. Insulation .....		603883-1

# S1800 REFRIGERATION COMPARTMENT – COMMON PARTS



**DESCRIPTION**

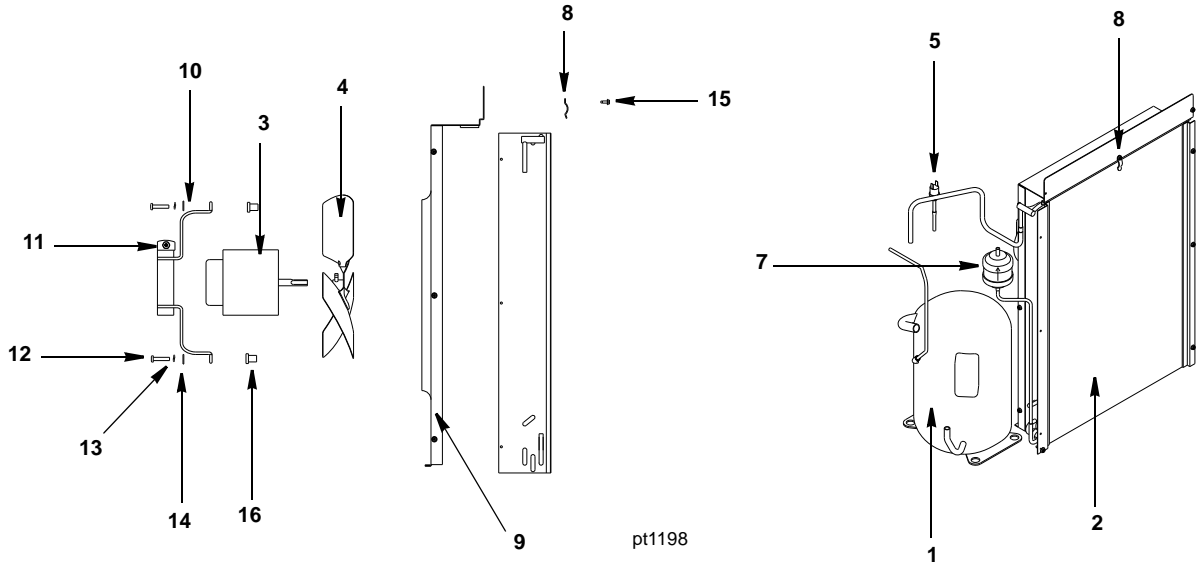
**PART NO.**

<b>1 Compressor</b>	
<b>1a Copeland Compressor</b> (Before Manufacture Date 10/09)	
a. 208-230V/60 Hz/1 Ph . . . . .	76-0328-3
b. 208-230V/60 Hz/3 Ph . . . . .	76-0329-3
c. 230V/50 Hz/1 Ph . . . . .	76-0330-3
<b>1b Bristol Compressor</b> (With/After Manufacture Date 10/09)	
a. 208-230V/60 Hz/1 Ph . . . . .	000005436
b. 208-230V/60 Hz/3 Ph . . . . .	000005437
c. 230V/50 Hz/1 Ph . . . . .	000005438
<b>2 Water Dump Valve</b>	
a. Dump Valve, 208-230V/50-60 Hz . . . . .	000001768
b. Dump Valve Rebuild Kit. . . . .	No Longer Available
<b>3 Harvest Valve</b>	
a. Harvest Valve Including 208/230V 50/60 Hz Electrical Coil Danfoss . . . . .	76-3010-1
b. Harvest Valve 208/230V 50/60 Hz Coil Only Danfoss. . . . .	000005157
<b>4 Water Inlet Valve</b>	
a. Water Inlet Valve Including 208-240V/50-60 Hz Coil. . . . .	000007966
<b>5 Expansion Valve</b> . . . . .	76-0225-3
a. Expansion Valve Body Insulation Boot . . . . .	40-1329-9
b. Expansion Valve Bulb Insulation Boot . . . . .	40-0720-3
<b>6 Manifold Strainer</b> (in front of hot gas valve) . . . . .	82-5357-9
<b>7 High Pressure Cut-out</b> (Auto Reset) . . . . .	20-0124-3
<b>8 Electrical Box on Rear of Ice Machine</b>	
a. Box . . . . .	606728-9
b. Terminal Block 3 Pole . . . . .	20-0614-3
c. Groundscrew #10-24 x .50 . . . . .	52-0216-9
<b>9 Air Compressor</b>	
a. Air Compressor Pumps 230V with brackets . . . . .	000000444
b. Manifold Tee (Air Pump Tubing Outlet) . . . . .	40-1173-9
<b>10 Compressor Compartment Wiring Harnesses</b>	
<b>10a</b> Before Manufacture Date 10/09	
a. Water . . . . .	20-0901-9
b. Air . . . . .	20-0902-9
c. Remote . . . . .	20-0903-9
<b>10b</b> With/After Manufacture Date 10/09	
a. Water . . . . .	000005522
b. Air . . . . .	000005520
c. Remote . . . . .	000005524
<b>11 Discharge Muffler</b> (With/After Manufacture Date 10/09) . . . . .	000005177

**Miscellaneous – Brackets, Screws, etc.**

12	Dump Valve Mounting Bracket . . . . .	605845-9
13	Water Inlet Valve Wing Adapter . . . . .	87-0609-3
14	Water Inlet Valve Wing Adapter Plastic Fitting . . . . .	13-6096-1
15	Water Drain Female Wing Adapter . . . . .	87-0608-3
16	Water Drain Clear Tubing, .625 ID x 12 inches . . . . .	44-2038-3
17	Dump Valve Tubing 3.25 inches. . . . .	44-2038-3
18	Compressor Mounting Base. . . . .	606590-9
19	Compressor Mounting Rubber Grommet. . . . .	85-0485-9
20	Compressor Mounting Sleeve . . . . .	85-0394-9
21	Compressor Mounting Bolt. . . . .	50-0481-9
22	Compressor Mounting Nut . . . . .	50-0482-9
23	Compressor Wiring Harness . . . . .	20-0623-9
24	Compressor Molded Plug Wiring Harness. . . . .	000005176
25	Clamp, Water Drain . . . . .	56-5070-9
26	Clamp, Expansion Valve Bulb . . . . .	56-5052-9
27	Copper Bulb Strap . . . . .	30-0050-3
28	Screw, #10-24 x .50 . . . . .	52-0206-9
29	Left Corner Post . . . . .	606599-9
30	Left Top Channel . . . . .	606864-9
31	Right Corner Post. . . . .	606713-9
32	Right Top Channel . . . . .	606257-9
33	Insulated Tube (vinyl tubing from distribution tube to water pump & dump valve). . . . .	000003409
	a. Clamp .859/.989 ID. . . . .	56-5060-3
	b. Clamp .799/.899 ID. . . . .	56-5070-3
34	Water Inlet Valve Tubing . . . . .	40-1043-9
35	Connector Water Inlet Valve. . . . .	13-6098-9
36	Water Inlet Valve Bracket. . . . .	606644-9
37	<b>Check Valve Replacement</b> (includes water diverter, vinyl tubing & insulation) . . . . .	000002474
38	Holder, Water Level Probe . . . . .	20-0655-9
	a. Screw to Mount Water Level Probe Holder. . . . .	52-0206-9

# S1800 REFRIGERATION COMPARTMENT – AIR-COOLED



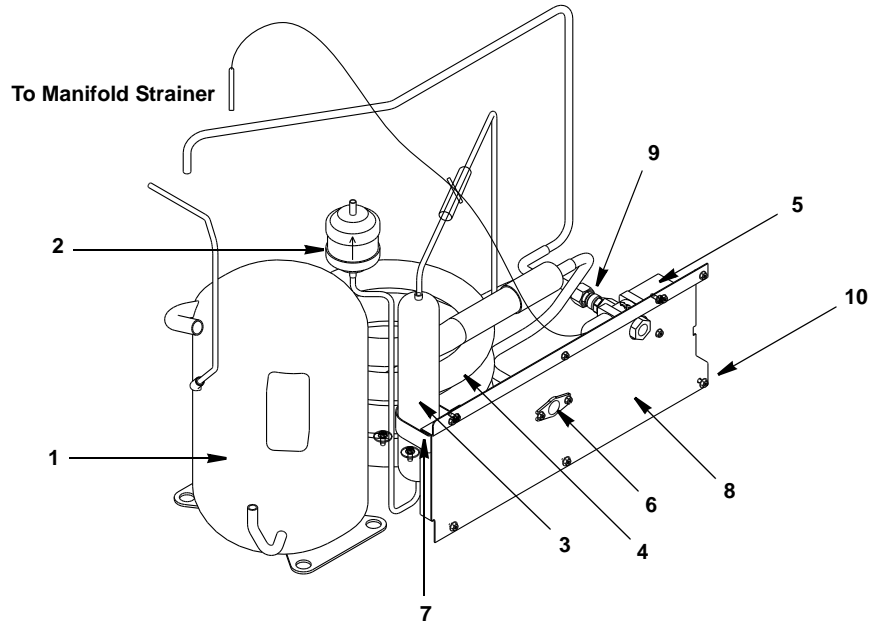
**DESCRIPTION**

	<b>PART NO.</b>
1 Compressor (Refer to COMMON PARTS Page) .....	Page S1800-4
2 Air Condenser .....	88-5129-3
3 Fan Motor	
a. 208-230V/60 Hz .....	76-2673-3
b. 230V/50 Hz .....	000006007
4 Fan Blade .....	24-1611-3
5 Fan Cycling Control .....	† 20-0127-3
6 Air Filter (Not shown) .....	40-4025-3
7 Drier .....	89-3027-9

**Miscellaneous – Brackets, Screws, etc.**

8 Air Filter Clip .....	† 56-5069-9
9 Fan Shroud .....	606597-9
10 Fan Motor Mounting Bracket .....	30-0682-3
11 Fan Motor Mounting Screw .....	† 50-3358-9
a. Fan Motor Mounting Lockwasher .....	† 55-4510-9
b. Fan Motor Mounting Hexnut .....	† 54-2952-9
12 Fan Bracket Mounting Screw .....	50-3238-9
13 Fan Bracket Mounting Lockwasher .....	† 55-4510-9
14 Fan Bracket Mounting Flatwasher .....	† 55-7305-9
15 Screw, #10-24 x .50 .....	† 52-0206-9
16 Wellnut .....	54-2955-9

# S1800 REFRIGERATION COMPARTMENT – WATER-COOLED



pt1200

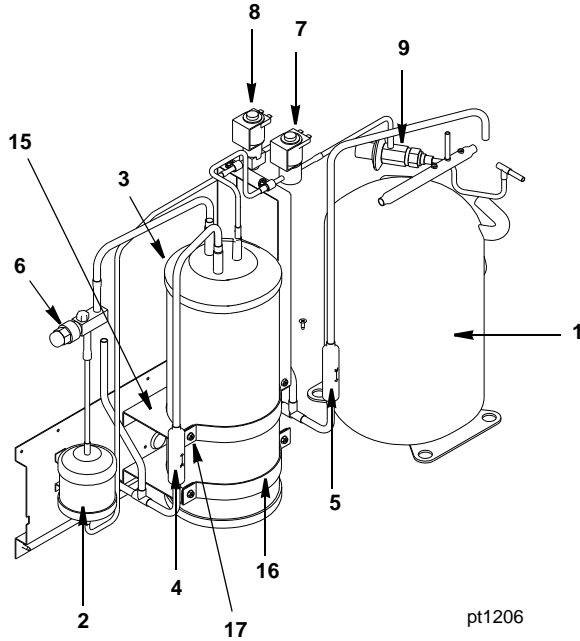
## DESCRIPTION

DESCRIPTION	PART NO.
1 Compressor (Refer to COMMON PARTS Page) . . . . .	Page S1800-4
2 Drier . . . . .	89-3027-9
3 Receiver . . . . .	89-0035-3
4 Water-Cooled Condenser . . . . .	000001508
5 Water Regulating Valve . . . . .	83-7212-3
6 Water Drain Female Wing Adapter . . . . .	87-0608-3

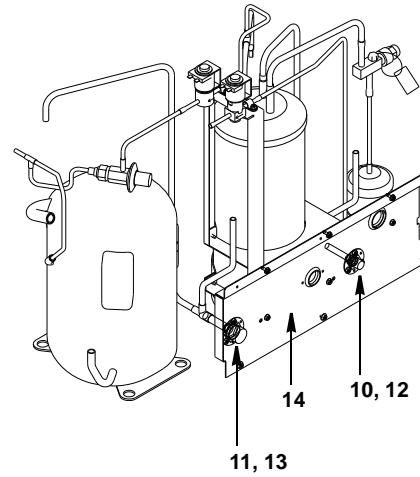
## Miscellaneous – Brackets, Screws, etc.

7 Receiver Strap . . . . .	600054-1
8 Back Panel . . . . .	606682-9
9 Elbow .50 MF x .50 NPT . . . . .	50-0545-3
10 Screw, #10-24 x .50 . . . . .	52-0206-3
11 Washer . . . . .	55-7341-9
12 Base, Water Condenser/Receiver . . . . .	606684-1

# S1800 REFRIGERATION COMPARTMENT – REMOTE



pt1206



pt1207

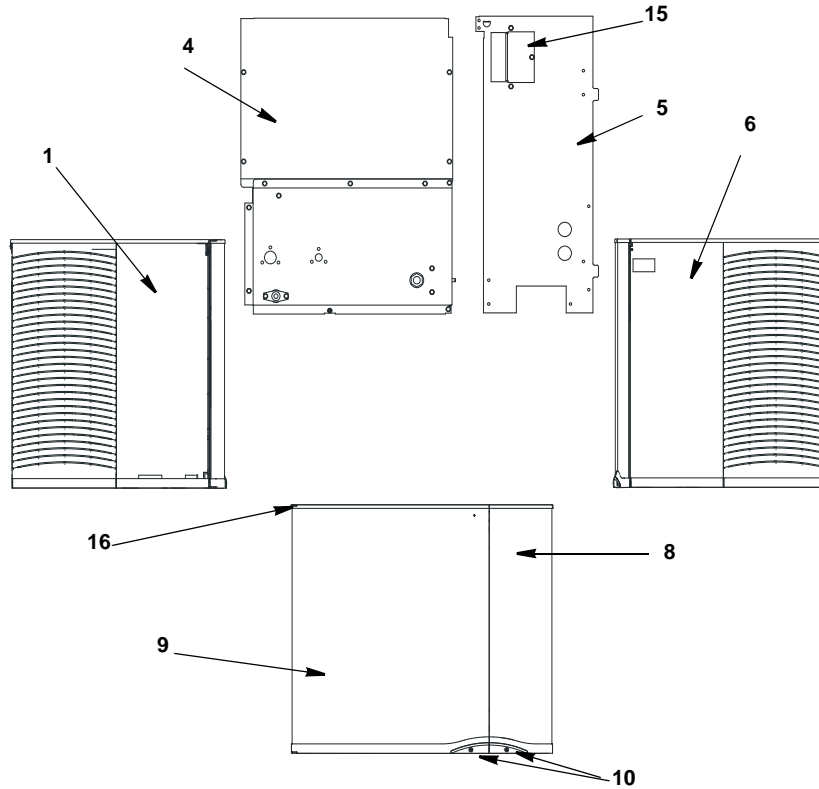
## DESCRIPTION

	<b>PART NO.</b>
1 Compressor (Refer to COMMON PARTS) . . . . .	Page S1800-4
2 Drier . . . . .	89-3027-9
3 Receiver . . . . .	89-0001-9
4 Magni-Check Valve 3/8" . . . . .	83-7314-9
5 Magni-Check Valve 1/2" . . . . .	83-7315-3
6 Refrigeration Service Valve . . . . .	† 83-7316-9
a. Cap for Refrigeration Service Valve . . . . .	56-5075-9
7 <b>Harvest Pressure Regulating Solenoid (HPR) Valve</b> . . . . .	
a. HPR Valve Including 208/230V 50/60 Hz Electrical Coil (Danfoss). . . . .	76-3006-1
b. HPR Valve 208/230V 50/60 Hz Coil Only Danfoss . . . . .	000005157
8 <b>Liquid Line Solenoid (LLS) Valve</b> . . . . .	
a. LLS Valve Including 208/230V 50/60 Hz Electrical Coil (Danfoss) . . . . .	76-3009-1
b. LLS Valve 208/230V 50/60 Hz Coil Only Danfoss. . . . .	000005157
9 Harvest Pressure Regulating Valve (HPR) . . . . .	† 83-6779-3
10 Coupling – Male, 5/8-18 . . . . .	† 83-6034-3
11 Coupling – Male, 1-1/6-12 . . . . .	† 83-6035-3
<b>Miscellaneous – Brackets, Screws, etc.</b>	
12 Coupling Mounting Flange for 5/8-18 . . . . .	83-6005-3
13 Coupling Mounting Flange for 1-1/16-12 . . . . .	83-6006-3
14 Back Panel . . . . .	606682-9
15 Receiver Mounting Bracket. . . . .	600056-1
16 Receiver Mounting Strap . . . . .	630721-4
17 Screw, #10-24 x .50 . . . . .	† 52-0206-9

† Refer to Cross Reference Guide



# S1800 PANELS



**DESCRIPTION**

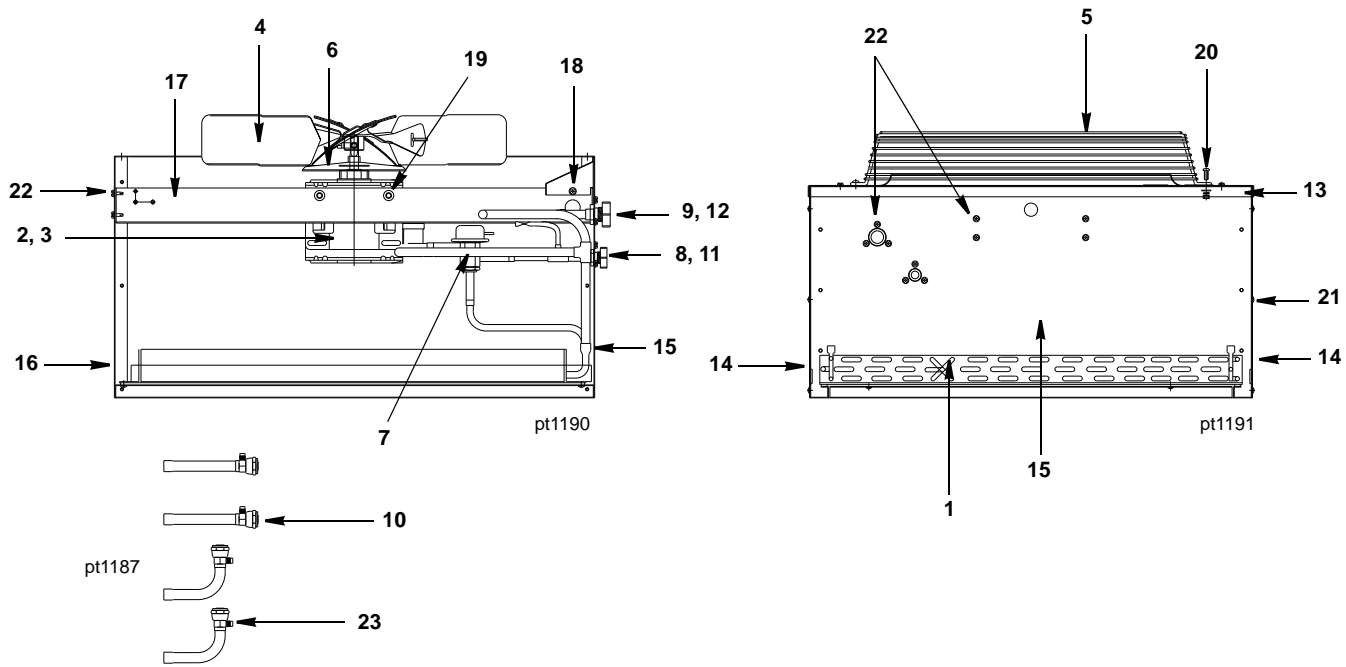
**PART NO.**

1	Left Side Panel .....	606057-9
2	Air Baffle .....	607137-9
3	Air Filter (Not shown) .....	40-4025-3
4	Back Panel, Remote or Water .....	606714-9
5	Back Panel, Air .....	606715-9
6	Right Side Panel .....	606056-9
7	Top Cover (Not shown) .....	40-1203-9
8	Right Door .....	606283-9
9	Left Door .....	606282-9

**Miscellaneous – Brackets, Screws, etc.**

10	Right/Left Door Screw .....	50-0489-9
11	Left Door Endcaps	
	a. Top .....	40-1192-3
	b. Bottom .....	40-1191-3
12	Right Door Endcaps	
	a. Top .....	40-1194-3
	b. Bottom .....	40-1515-3
13	Front Top Support (Not shown) .....	30-0574-9
	a. Mounting Screw Left Side 8-32 x 1 .....	50-0537-9
	b. Mounting Screw Right Side 10-24 x .50 .....	50-0509-9
	c. Front Panel Strike .....	30-0602-9
14	Bottom Door Frame .....	40-1188-9
	a. Mounting Screw Left Side 8-32 x 1 PHIL .....	50-0537-9
	b. Mounting Screw Right Side 10/24 x .50 PHIL .....	52-0209-9
15	Door Catch Bracket (RHD) .....	606236-9
	a. Mounting Screw 8-32 x .50 Phil .....	50-2624-9
16	Left Door Pivot Leaf Hinge (Top or Bottom) .....	30-0557-9
	a. Mounting Screw 8-32 x 1 PHIL .....	50-0537-9
17	Electrical Connection Box Cover .....	606729-9
18	Top Cover Bracket .....	606404-9
19	Sachet Holder (inside left door) .....	40-0459-9
	a. Screws .....	50-0479-9

## JC1395 REMOTE CONDENSER (USED WITH S1800 REMOTE ICE MACHINES)



### DESCRIPTION

DESCRIPTION	PART NO.
1 Air Condenser . . . . .	88-5090-3
2 Fan Motor (208-230V 50/60 Hz/1 Ph). . . . .	† 76-2941-3
3 Fan Motor Run Capacitor (Emerson) . . . . .	85-0458-3
3 Fan Motor Run Capacitor (Magnatec) . . . . .	No Longer Available
4 Fan Blade . . . . .	24-1611-3
5 Fan Guard. . . . .	34-0064-3
6 Rain Slinger . . . . .	24-1505-3
7 Head Pressure Control . . . . .	000004070
8 Coupling – Male, 5/8-18 . . . . .	† 83-6034-3
9 Coupling – Male, 1-1/6-12 . . . . .	† 83-6035-3
10 Female Line Set Coupling Kit (Sold as Finished Goods Sales Kit) . . . . .	Sales K0129

### Miscellaneous – Brackets, Screws, etc.

11 Coupling Mounting Flange (for 5/8-18) . . . . .	83-6005-3
12 Coupling Mounting Flange (for 1-1/16-12) . . . . .	83-6006-3
13 Top Cover . . . . .	601789-1
14 Panel – Side . . . . .	† 601790-1
15 Panel – Rear . . . . .	601791-1
16 Panel – Front . . . . .	† 601792-1
17 Fan Motor Mounting Bracket . . . . .	† 601768-1
18 Electrical Box Cover . . . . .	† 601776-1
19 Fan Motor Mounting Screw (5/16-18 x 5/8) . . . . .	† 50-3565-9
a. Fan Motor Mounting Flatwasher . . . . .	† 55-7309-9
b. Fan Motor Mounting Lockwasher . . . . .	† 55-7313-9
c. Fan Motor Mounting Hexnut . . . . .	54-2975-9
20 Fan Guard Mounting Screw (1/4-20 x 5/8) . . . . .	† 50-3345-9
a. Fan Guard Mounting Flatwasher . . . . .	† 55-7304-9
b. Fan Guard Mounting Lockwasher . . . . .	† 55-4511-9
c. Fan Guard Mounting Hexnut . . . . .	† 54-2952-9
21 Panel/Condenser Mounting Screw (#8 x 1/2) . . . . .	† 51-2153-9
a. Panel/Condenser Mounting Lockwasher . . . . .	† 55-4459-9
22 Screw (#10-24 x .62) . . . . .	† 52-0205-9
23 Valve Cores (used in linesets) . . . . .	76-2684-3
24 Legs (Not shown) . . . . .	† 601769-1

† Refer to Cross Reference Guide