



Ice Machine Parts List for Series S 22" Dispensers Models

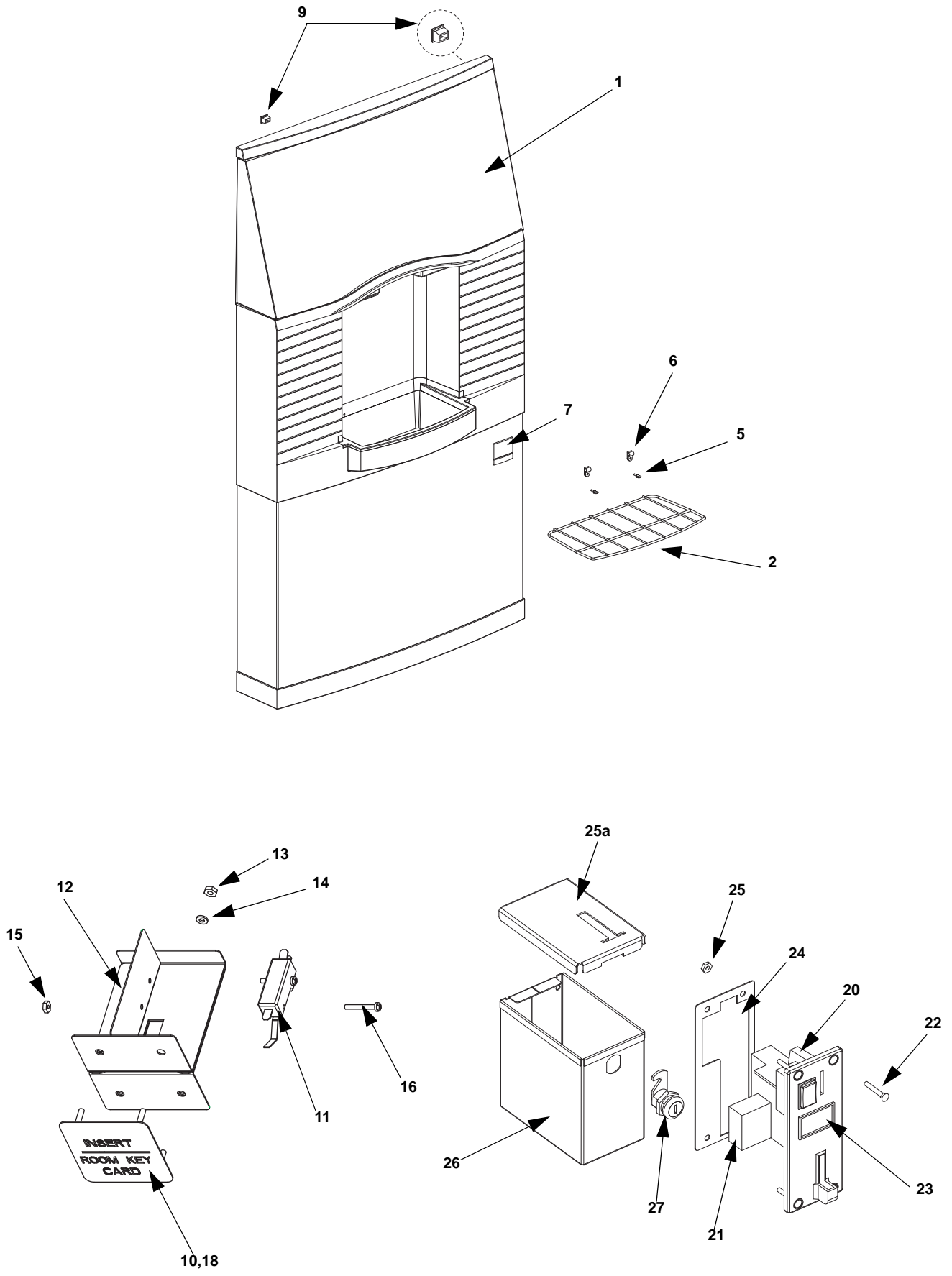
SPA-160

SRA-164

SCA-163

SFA-191

SPA-160, SRA-164, SCA-163, SFA-191 DOOR ASSEMBLY

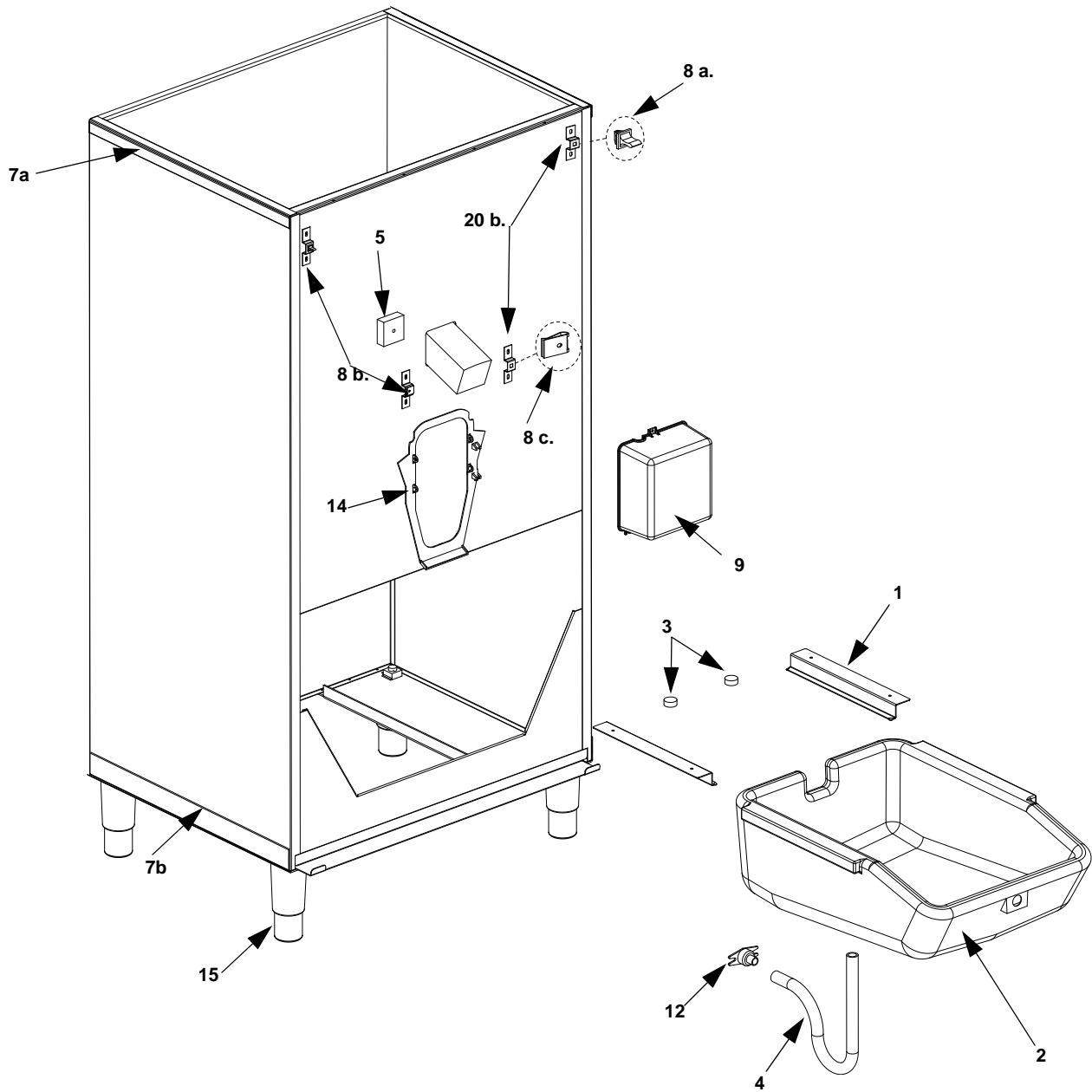


SPA-160, SRA-164, SCA-163, SFA-191 DOOR ASSEMBLY, CONTINUED

DESCRIPTION		New Part	Old Part
1	Main Door Assembly		
	a. SPA-160 Rocking Chute	5030394	000000202
	b. SCA-163 Coin Chute	5030875	000000204
	c. SRA-164 Room Card	5030876	000000205
	d. SFA-191 Push Button Glass Fill	5030877	000000203
	e. Upper Door Panel	5030238	000000241
	f. Lower Door Panel	5030237	000000242
2	Wire Grill	5029519	000000208
3	Water Fill Valve (not shown)	202-FN-SLB-B	000000209
	a. Bracket Water Fill Valve	5011281	000000210
	b. Arm	51606	000000558
	c. Lever Retainer Clip	51700	000001024
	d. Water Inlet Fitting	1360961	
	e. Water Inlet Wing Adapter	8706093	
	f. Elbow w/Nut	1701150	
	g. Nylon Washer (inside elbow)	1701113	
	h. Hose (6 feet)	5008816	
4	Wiring Harness		
	a. 115V	5029448	000000213
	b. 220V	5029447	000000214
SPA-160, SRA-164, SFA-191, Miscellaneous – Brackets, Screws, etc.			
5	Thumbscrew 8 x 1/2" type A	5008075	9750083
6	Clamp 1/4" Grid Black	5007667	9750093
7	Label Manitowoc Logo	same	8130013
	a. Snowflake Logo	same	8130003
8	Carton Assembly (without pallet)	5008131	9750643
	a. Carton Pallet	5008132	
9	Door Attachment Fastener Latch	00217721	000000211
SRA-164			
10	Plate Front	5008217	9750803
11	Switch.	020003076	9750813
12	Bracket	5008270	9750823
13	Nut 8-32 Hex SS	0902103	9750833
14	Washer Star #8 SS	0901915	9750843
15	Nut 6-32 Kept HH SS	88000087	9750853
16	Screw 6-32 x 1" SS PH RH MS	0900901	9750863
17	Wiring Harness (not shown)	5008594	000000212
18	Insert Card Label	5008455	9750883
19	Wiring Diagram Label (SRA-164) (not shown)		
	a. 115V	5029412	000000228
	b. 220/240V.	5029428	000000255
SCA-163			
20	Coin Mechanism with Microswitch	5008313	9750563
21	Timer, Coin Mechanism 115V	5008325	9750573
	Timer, Coin Mechanism 230V	5009453	9750603
22	Bolt Carriage 8-32 x 1" Black	5008370	9750783
23	Coin Mechanism Label.	5009899	9750763
24	Plate	5008379	9750773
25	Nut Kept 42	00201803	9750743
26	Coin Box.	5030562	000000215
	a. Coin Box Cover.	5030561	000000216
27	Box Lock	same	9750733

† Refer to Cross Reference Guide

SPA-160, SRA-164, SFA-291, SCA-163, SFA-191 CABINET ASSEMBLY

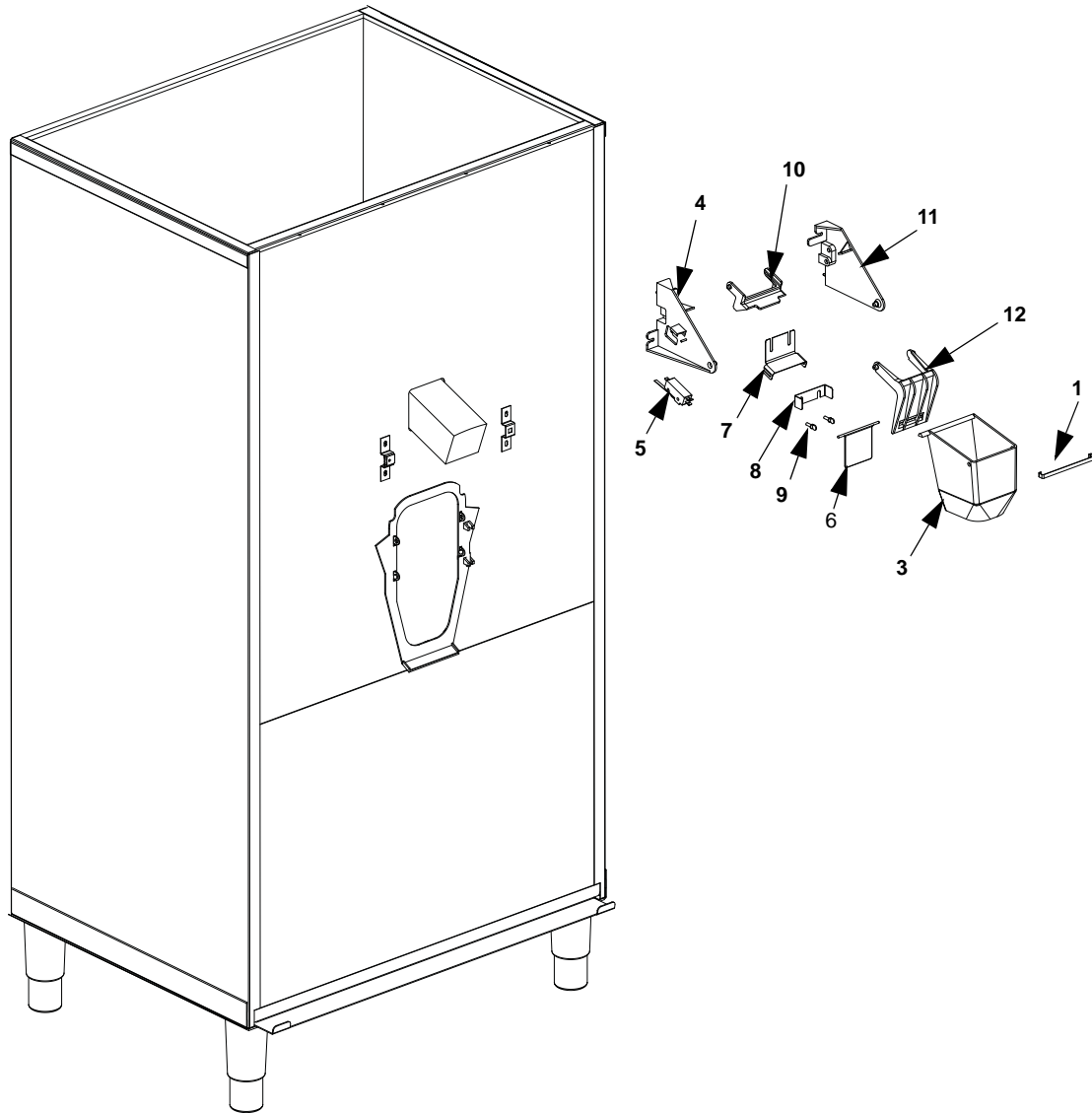


SPA-160, SRA-164, SCA-163, SFA-191 CABINET ASSEMBLY, CONTINUED

DESCRIPTION		PART NO.	
		New Part	Old Part
SPA-160, SRA-164, SFA-191, SCA-163 Drain Pan Assembly			
1	Bracket Drainpan Support	5029691	000000223
2	Drain Pan Assembly.....	5029307	000000225
3	Drain Pan Stops	5014120	NA
4	Tubing Drain w/Insulation.....	5010341	000000226
	a. Drain Strainer	5013878	NA
SPA-160, SRA-164, SFA-191, SCA-163 Electrical			
5	Timer Agitation	020000222	020000222
6	Label Wiring Diagram.....	5029412	000000228
SPA-160, SRA-164, SFA-191, SCA-163 Miscellaneous – Brackets, Screws, etc.			
7	Trim Decorative		
	a. Top	020004140	000000229
	b. Bottom.....	020004139	000000256
8	Front Door Attachment		
	a. Fastener Strike	00217722	000000230
	b. Bracket Strike	5029694	000000231
	c. Clip	0900240	000000232
9	Cover Electrical Box.....	5008116	9750523
10	Box RC Electrical	5008115	9750533
11	Cord Electrical (not shown)	5008642	000000244
12	Fitting 1/2" Brass	same	8706083
13	Baffle (not shown)	same	K00348
14	Motor Pin Retaining Bracket	5010220	† 9750659
15	Legs	5030236	000000236

† Refer to Cross Reference Guide

**SPA-160, SRA-164, SFA-291, SCA-163, SFA-191 ROCKING CHUTE ASSEMBLY
BEFORE SERIAL NUMBER 610065166**



DESCRIPTION

PART NO.

New Part

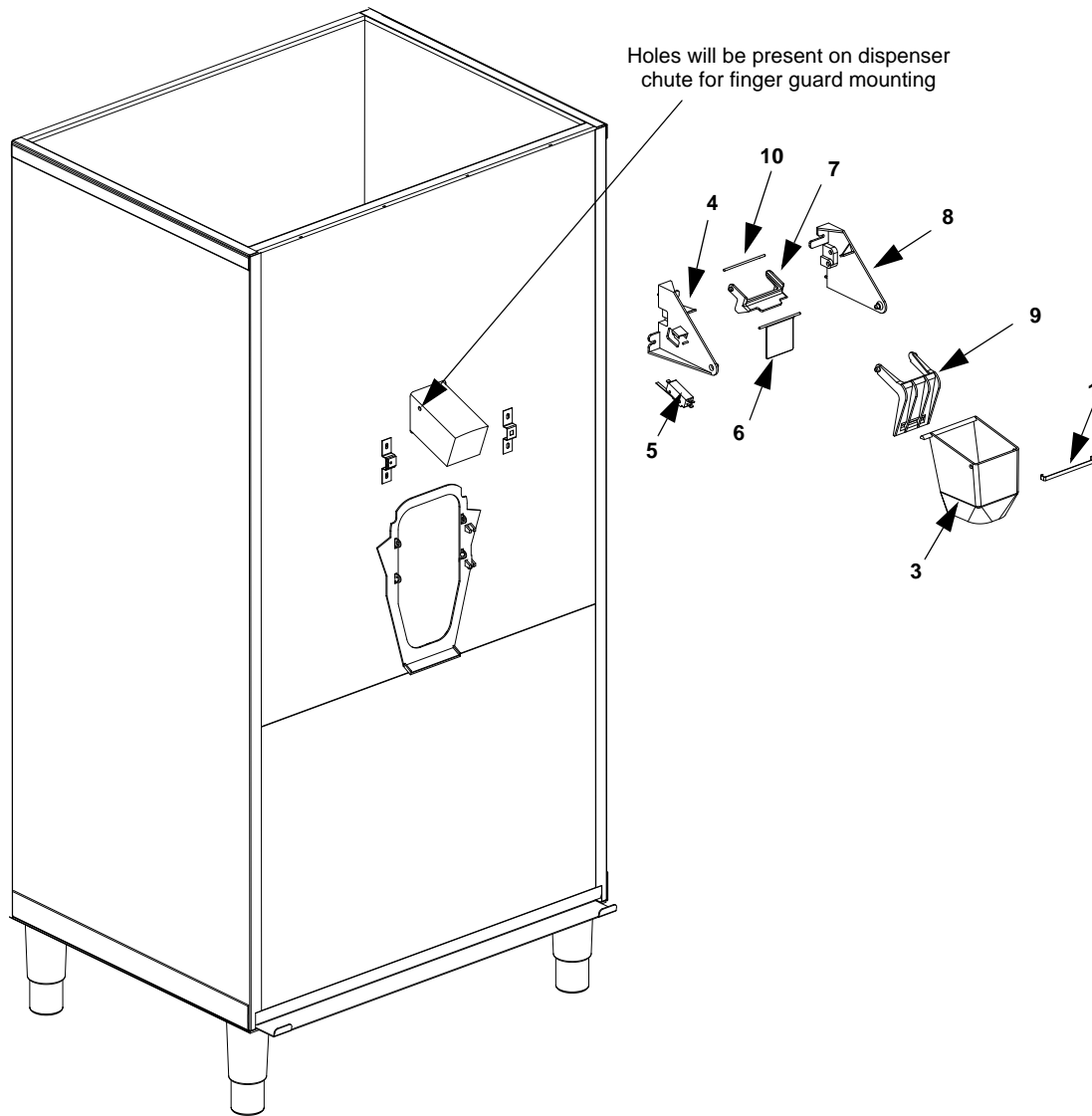
Old Part

ROCKING CHUTE ASSEMBLY

1	Bracket Rocking Chute Outer	5031384	9550113
2	Label "Push For Ice"	5008636	00000243
3	Rocking Chute	5007355	9750133
4	Bracket Rocking Chute Door Left Hand - Kit includes both sides	020002673	9750143
5	Microswitch	1000703	9750153
6	Door Finger Guard	5011788	00000220
7	Retainer Guard	5007662	9750173
8	Retainer Door	5008112	9750183
9	Screw #8-32 x 1/2" Knurl w/o Slot	5008402	00000222
10	Lock Rocking Chute Door	5002509	9750203
11	Bracket Rocking Chute Door Right Hand - Kit includes both sides	020002673	9750213
12	Door Rocking Chute	5002508	9750223

† Refer to Cross Reference Guide

**SPA-160, SRA-164, SFA-291, SCA-163, SFA-191 ROCKING CHUTE ASSEMBLY
AFTER SERIAL NUMBER 610065166**



DESCRIPTION

PART NO.

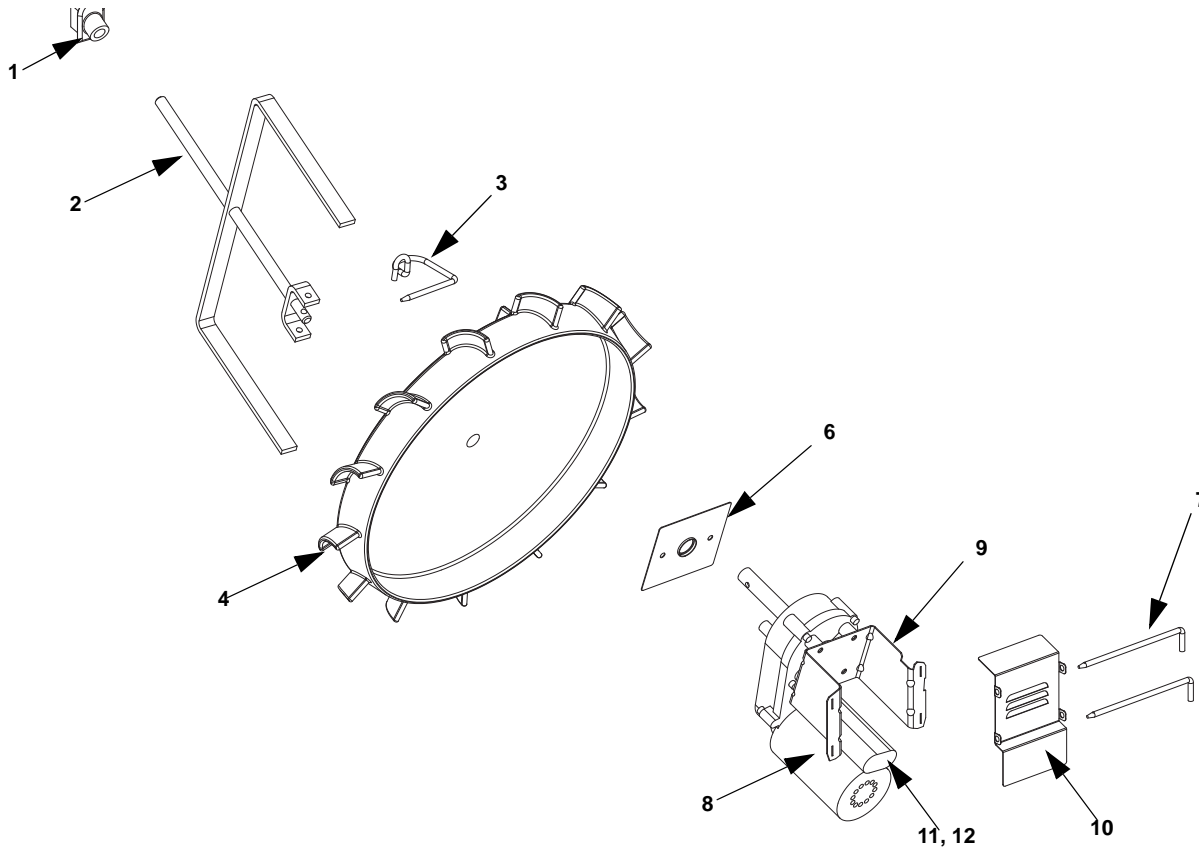
ROCKING CHUTE ASSEMBLY

	New Part	Old Part
1 Bracket Rocking Chute Outer	5031384	9550113
2 Label "Push For Ice".	5008636	00000243
3 Rocking Chute	5007355	9750133
4 Bracket Rocking Chute Door Left Hand - Kit includes both sides	020002673	9750143
5 Microswitch	1000703	9750153
6 Door Finger Guard	020002334	NA
7 Lock Rocking Chute Door	5002509	9750203
8 Bracket Rocking Chute Door Right Hand - Kit includes both sides	020002673	9750213
9 Door Rocking Chute.	5002508	9750223
10 Door Rod	020002389	NA

† Refer to Cross Reference Guide

SPA-160, SRA-164, SFA-291, SCA-163, SFA-191 PADDLE WHEEL ASSEMBLY

Before Serial Number 610050366



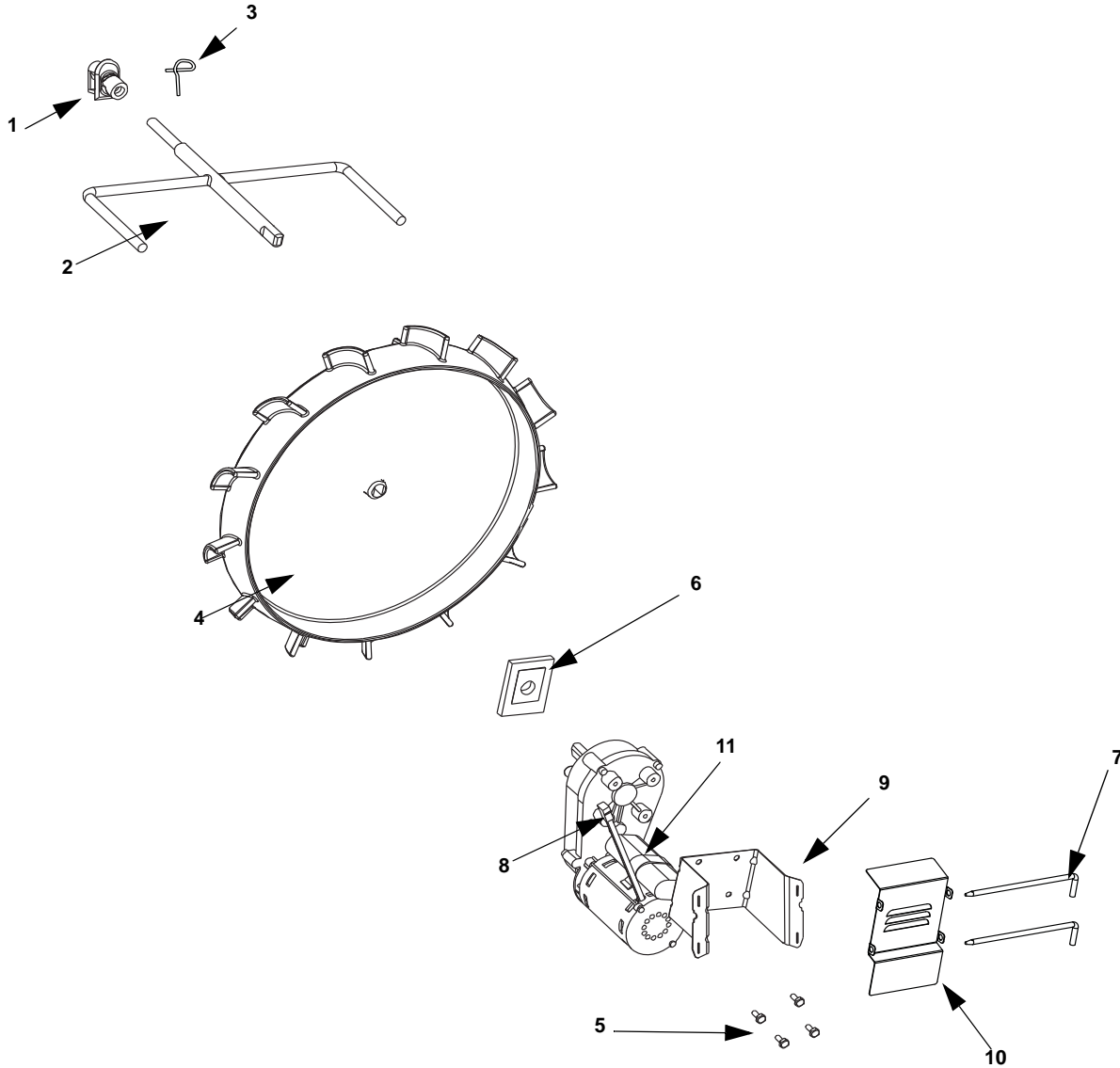
DESCRIPTION

PART NO.

	PART NO.	
	New Part	Old Part
1 Mushroom Bushing	0101702	9750363
2 Agitator	5009529	9750549
3 Pin 9.75 SS Agitator Removal	5010452	000000237
4 Paddle Wheel	2601415	000000238
5 Bolt 1/4 -20 x 5/8" SS HHCS	0900601	9750403
6 Motor Insulator	5030254	000000239
7 Pin Retaining	4140023	9750433
8 Motor/Reducer AO-62		
a. 115V/60 Hz	020003650	9750443
b. 220-240V/50-60 Hz	5000869	9750553
9 Motor Mount	5001776	9750453
10 Gearbox Shield	No Longer Available	
11 Capacitor - Von Weise Motor		
a. 115V/60Hz	5008877	9750613
b. 220/240V 50-60Hz	5008398	9750583
12 Capacitor - Bison Motor		
a. 115V/60Hz	020002950	
b. 220/240V 50-60Hz	020002951	
13 Oil Seal Kit	020003438	

SPA-160, SRA-164, SFA-291, SCA-163, SFA-191 PADDLE WHEEL ASSEMBLY

After Serial Number 610050366



DESCRIPTION

PART NO.

1	Mushroom Bushing	020001418
2	Agitator	020002113
3	Pin 9.75 SS Agitator Removal	020002668
4	Paddle Wheel	020001423
5	Bolt 1/4 -20 x 5/8" SS HHCS	0900601
6	Motor Insulator	020001424
7	Pin Retaining	4140023
8	Motor/Reducer AO-62	
	a. 115V/60 Hz	020003596
	b. 220-240V/50-60 Hz.	020001517
9	Motor Mount	5001776
10	Gearbox Shield	No Longer Available
11	Capacitor	
	a. 115v	020002950
	b. 230v	020002951
12	Oil Seal Kit	020003438