



**Ice Machine Parts List for
Series U140 Models**

UR0140A

UD0143W

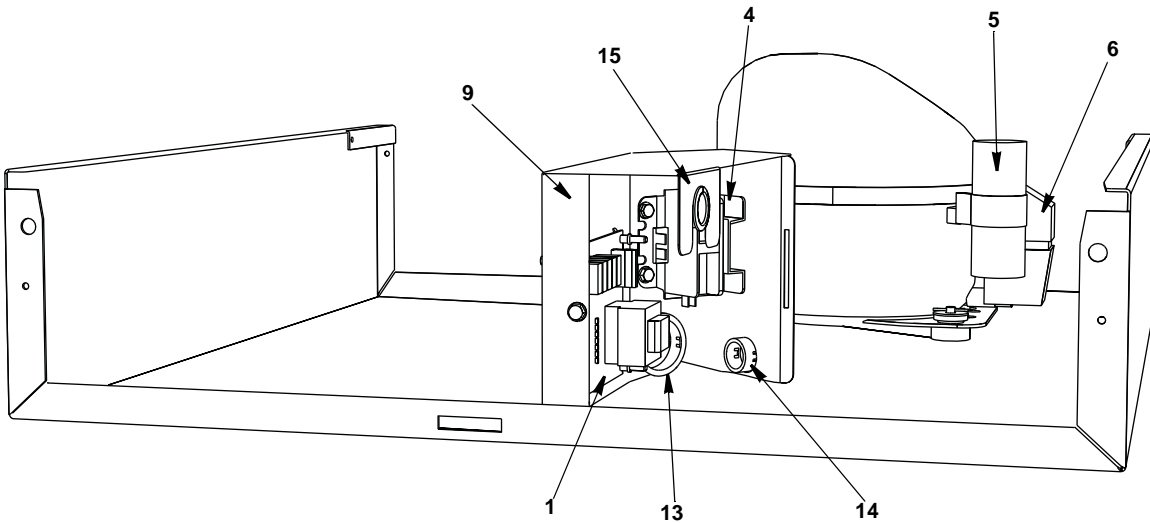
UR0141W

UY0144A

UD0142A

UY0145W

U0140 CONTROL BOX

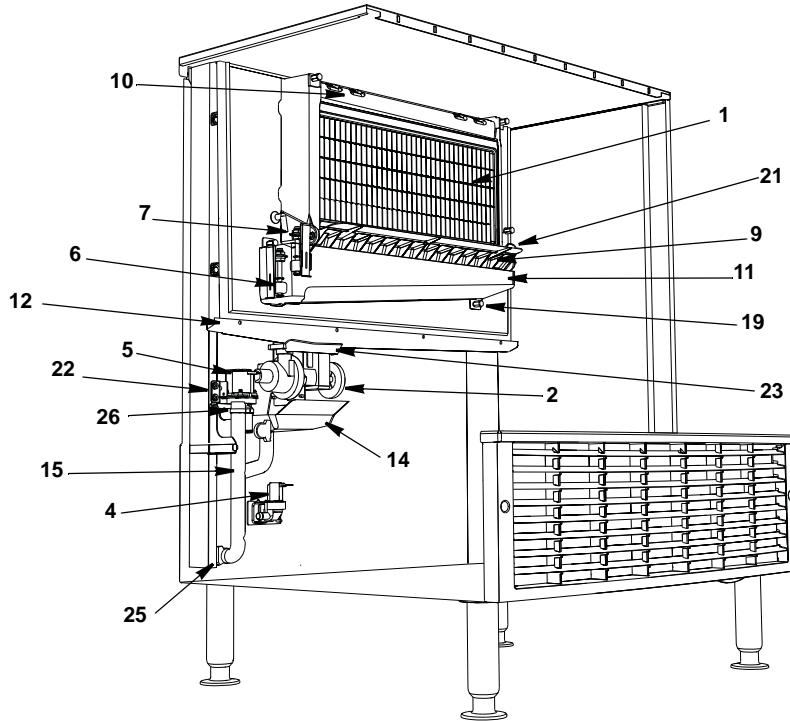


DESCRIPTION

DESCRIPTION	PART NO.
1 Control Board (for use with all voltages)	040002007
2 10 Amp Fuse – Mounted on Control Board	2511493
3 Wiring Harness	
a. Touch Pad to Wire Chase Connection	040002052
b. Control Box to Wire Chase Connection	040002053
4 Contactor	
a. 115V/60 Hz/1 Ph.	2006569
b. 230V/50/60 Hz/1 Ph	2006579
5 Start Capacitor	
a. 115V/60 Hz/1 Ph.	000002901
b. 230V/50/60 Hz/1 Ph	040000674
6 Current Relay	
a. 115V/60 Hz/1 Ph.	000002899
b. 230V/50/60 Hz/1 Ph	000002900
c. Relay Cover	8251333
7 Wiring Harness	
a. Air-Cooled (Not shown)	040002018
b. Water-Cooled (Not shown)	040002016
8 Power Cord	
a. 125V/60 Hz (Not shown)	2006863
b. 230V/60 Hz (Not shown)	2033023
c. 230V/50 Hz (Not shown)	2033023
d. Strain Relief	2512043
Miscellaneous – Brackets, Screws, etc.	
9 Control Box.	040002028
10 Control Box Cover (Not shown)	040002029
11 Control Board Mounting Supports	4302253
12 Screws, #10-24 x 0.25 Ground.	5202329
a. Lockwasher, #10.	5573209
13 Bushing SB1500-21/2240	† 2500139
14 Bushing SB875-11/2126.	† 2501409
15 Bushing OSB-22.	040002479

† Refer to Cross Reference Guide

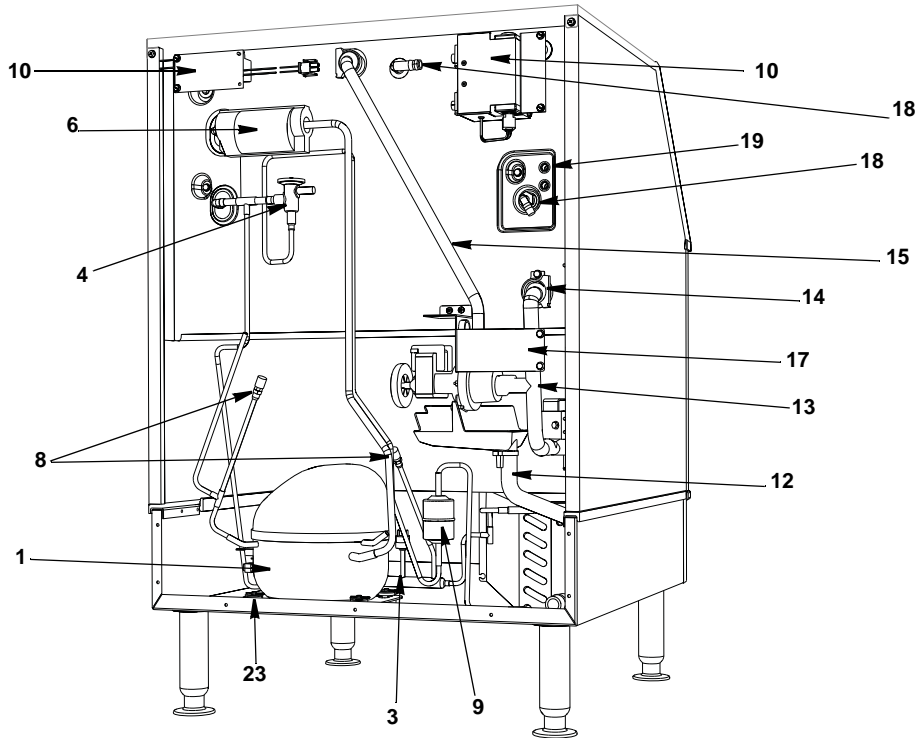
U0140 EVAPORATOR COMPARTMENT



DESCRIPTION

	PART NO.
1 Evaporator Assembly	
a. Regular Cube	000011549
b. Dice Cube	000011550
c. Half Dice Cube	000011551
2 Water Pump	
a. 115V/60 Hz	040003291
b. 208-230V/60 Hz	040003293
c. 230V/50 Hz	040003292
3 Pump Flow Restrictor	
a. 60 Hz	040003302
b. 50 Hz	040003303
4 Water Inlet Valve	
a. 115V/60 Hz	040002927
b. 230V/50/60 Hz/1 Ph	040002928
c. Mylar Shield	040003385
5 Water Dump Valve	
a. 115V/60 Hz	000001767
b. 230V/50/60 Hz/1 Ph	000001768
6 Harvest Float Switch	
a. Bracket	040002396
7 Ice Thickness Float Switch	
a. Bracket	040001777
8 Magnetic Bin Switch	040001783
9 Ice Damper	040003386
a. Ice Damper Magnet and Cap	040002393
10 Water Distribution Cover	000011556
11 Water Trough	7629093
a. Trough Fitting	040002049
b. O-Rings	040002054
12 Rear Trough	040002014
13 Rear Trough Extend	040002034
a. Left	040002880
b. Right	040003304
14 Drain Sink	040003305
	040002475
Miscellaneous – Brackets, Screws, etc.	
15 Drain Tube (connects drain sink, dump valve and bin)	040002013
16 Trough Tube (connects water trough to water pump & dump valve)	040002389
17 Water Tube (water pump to evaporator)	040002390
18 Water Inlet Valve Tubing	040002497
19 Thumbscrew, #8-32 x 0.44 Nylon	040001217
20 Screw, #10-24 x 0.50	† 5202069
21 Evaporator Side Damper Mount	000009053
22 Water Dump Valve Mounting Bracket	040001995
23 Water Pump Mounting Bracket	040002931
24 Water Inlet Female Wing Adapter	8706133
25 Snap Clamp 0.759/0.848	5650649
26 Snap Clamp 0.799/0.899	5650709

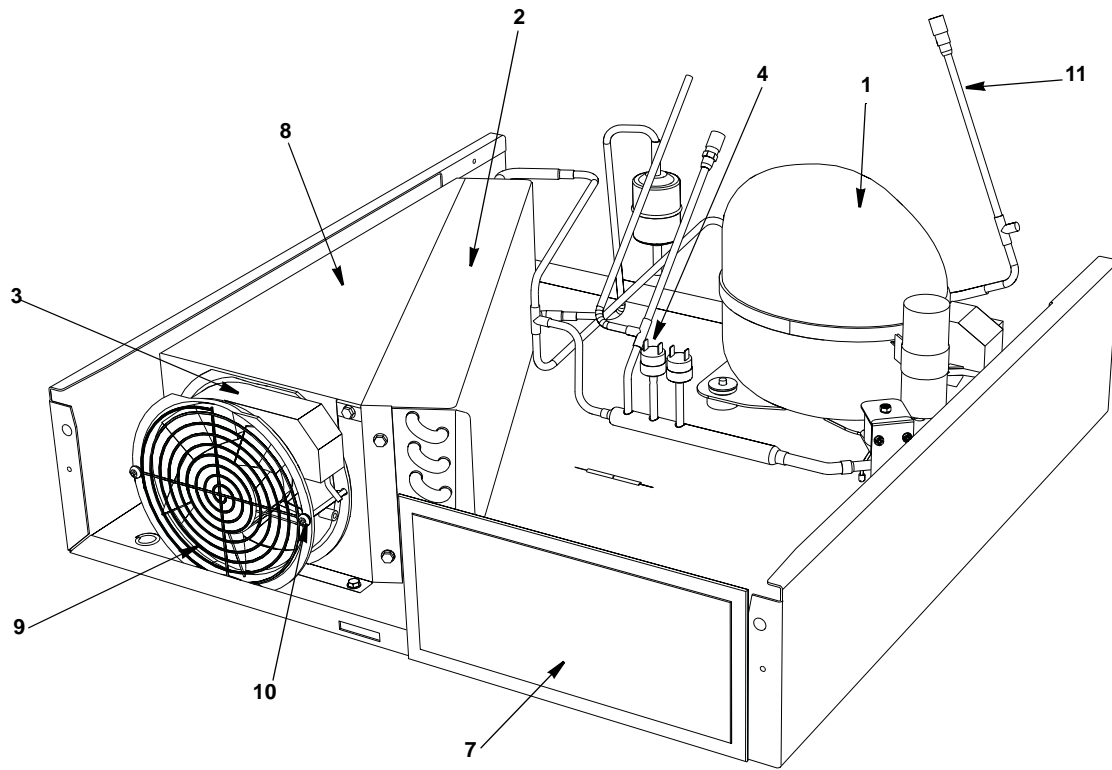
U0140 REFRIGERATION COMPARTMENT – COMMON PARTS



DESCRIPTION

	PART NO.
1 Compressor	
a. 115V/60 Hz/1 Ph	040002765
Current Relay with Overload	000002899
Start Capacitor	000002901
b. 208/230V 50/60 Hz/1 Ph.	040000434
Current Relay without Overload	000002900
Start Capacitor	040000674
2 Harvest Valve (behind compressor)	
a. Harvest Valve Including 115V 60 Hz Electrical Coil	040000689
b. Harvest Valve 115V Coil Only	040000101
c. Harvest Valve Including 208/230V 50/60 Hz Electrical Coil	040000690
d. Harvest Valve 208/230V 50/60 Hz Coil Only.	040000103
3 High Pressure Cut-out.	† 2001243
4 Expansion Valve	000011558
a. Copper Strap	3000833
5 Expansion Valve Body Insulation Boot (Not Shown).	4000363
6 Expansion Valve Bulb Insulation Boot.	4007203
7 Manifold Strainer	8251063
8 Access Valve.	8373253
9 Drier	8930259
10 LuminIce	
Miscellaneous – Brackets, Screws, etc.	
11 Harvest Valve Bracket.	040002442
12 Drain Tube (connects drain sink, dump valve and bin)	040002013
13 Trough Tube (connects water trough to water pump & dump valve)	040002389
14 Trough Fitting	040002014
a. O-Rings.	040002034
15 Water Tube (water pump to evaporator)	040002390
16 Water Inlet Valve Tubing	040002497
17 Water Pump Mounting Bracket.	040002931
18 Water Adapters	
a. Male	040002019
b. Female	040002021
19 Bulkhead Wire Bushing.	040002382
20 Snap Clamps - 1.123/1.296	5650539
21 Clamp, Expansion Valve Bulb	† 5650529
22 Screw, #10-24 x 0.50	† 5202069
23 Compressor Mounting	
a. Rubber Grommet	† 8503069
b. Washer	† 5573099
c. Clevis Pin	3712109
d. Hair Pin	5648289
e. Retainer	5648269
f. Sleeve 3/8" ID x 1.031	† 8503949

U0140 REFRIGERATION COMPARTMENT – AIR-COOLED



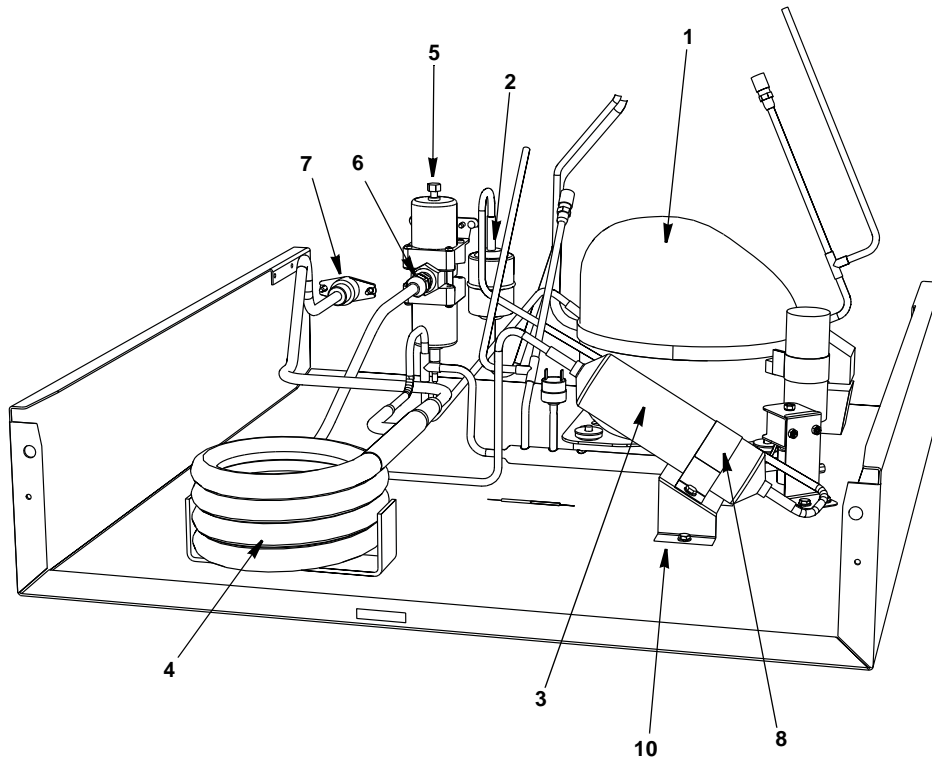
DESCRIPTION

	PART NO.
1 Compressor (Refer to COMMON PARTS Page)	Page 4
2 Air Condenser	040002395
3 Fan (motor w/blade)	
a. 115V	040001943
b. 208-230V 60/50 Hz	040001944
4 Fan Cycling Control	2001263
5 High Pressure Cut-Out	2001243
6 Drier	8930259
7 Air Filter	040002435

Miscellaneous – Brackets, Screws, etc.

8 Fan Shroud	040002031
9 Fan Guard	040002384
10 Fan Guard Mounting Bolts	040002451
11 Access Valve	8373253
12 Air Filter Bracket	040002910

U0140 REFRIGERATION COMPARTMENT – WATER-COOLED



DESCRIPTION

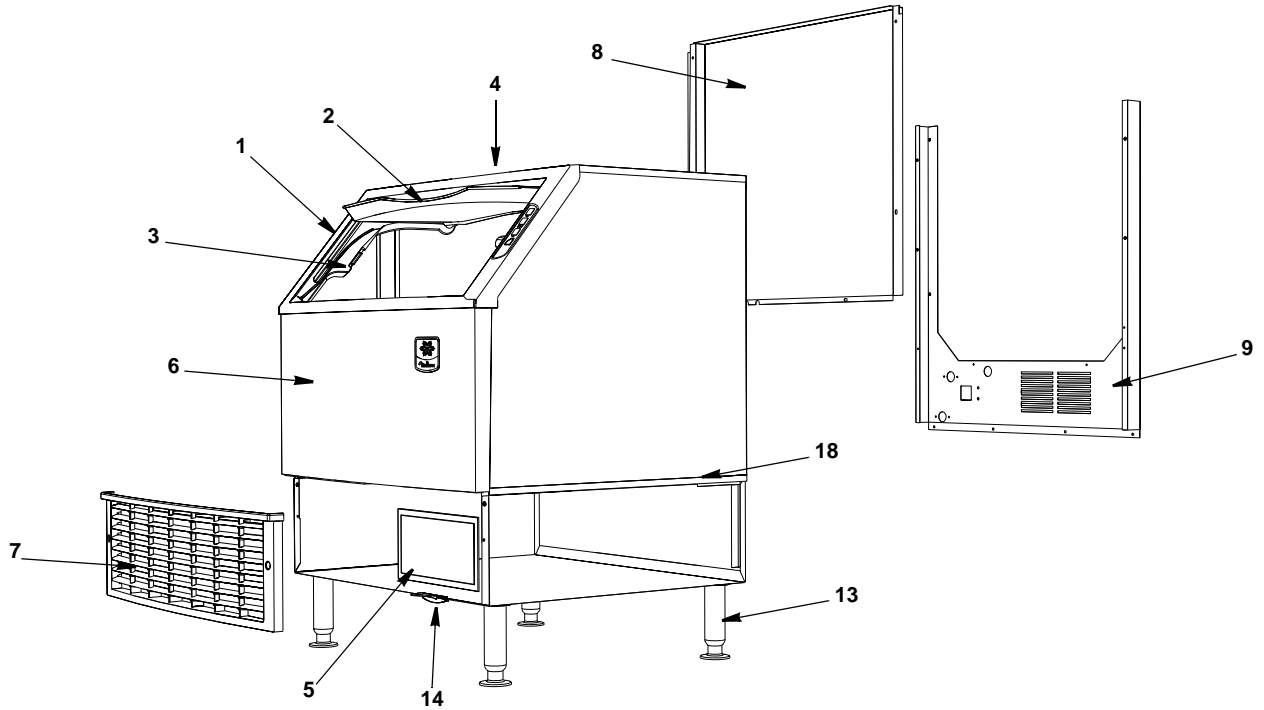
1	Compressor (Refer to COMMON PARTS Page)	Page 4
2	Drier	8930259
3	Receiver	00008892
4	Water-cooled Condenser	00000045
5	Water Regulating Valve	040002912
6	Water Regulating Valve Fitting	5002193
7	Water Drain Female Wing Adapter	8706103

Miscellaneous – Brackets, Screws, etc.

8	Receiver Strap	040002045
9	Receiver Bracket	040002044
10	Water Coupling	8332023

PART NO.

U0140 PANELS



DESCRIPTION

DESCRIPTION	PART NO.
1 Door Frame with Touch Pad	040003501
2 Door	040002022
3 Door Track	
a. Right	040001770
b. Left	040001771
4 Top Cover	040002926
5 Air Filter	040002435
6 Cabinet Assembly	040002055
7 Front Lower Louvered Panel (grill)	040001767
8 Back Panel, Upper	040001994
9 Back Panel, Lower	
a. Air	040002461
b. Water	040001921

Miscellaneous – Brackets, Screws, etc.

10 Screw, #10-24 x 0.50	† 5202069
11 Ice Scoop (Not shown)	040002930
12 Ice Scoop Holder (Not shown)	040002033
13 Legs	K00144
14 Air Filter Bracket	040002910
15 Top Panel Bracket	040002462
16 Side Panel Brackets	
a. Right	040003312
b. Left	040003314
17 Door Track Brackets	
a. Right	040002046
b. Left	040002047
18 Cabinet Track Brackets	
a. Right	040001773
b. Left	040001774
19 Bulkhead Gasket (seals bulkhead to bin)	040002020

INTENTIONALLY LEFT BLANK