

NEO™ 240 Undercounter Ice Machines

Models

- UR-0240A
 UD-0240A

- UD-0240W
 UY-0240A

- UY-0240W



U-240

- Power
- Delay
- Clean
- Full Bin
- Service

Standard Features

NEO is designed to provide ice right where you need it -- within reach. Improvements in performance, intelligence, and convenience make your ice machine easy to own and less expensive to operate.

Easy Access – angled door provides a larger opening making ice more visible and easier to access

Intelligence – provides feedback with full bin and service indicators. Delay function allows you to pause your machine for slow periods or days when you're closed.

Easy to Clean - smooth, sealed food-zone with removable water trough, distribution tube, and damper door for faster cleaning. AlphaSan added to key internal components.

Convenience – forward-sliding storage bin allows for easier, quicker access to refrigeration components without having to move the entire ice machine.

Available **LuminIce™ Growth Inhibitor** mitigates the growth of bacteria and yeast within the foodzone.

- Up to 225 lbs (102 kg) of daily ice production
- Only 26" (66.04 cm) wide, 28.00" (67.31 cm) deep, and 38.50" (82.55 cm) high on 6" (15.24 cm) legs
- 80 lb. (36.6 kg) ice storage capacity

Specifications

BTU Per Hour:
 3,600 (average)
 4,000 (peak)

Compressor:
 Nominal rating: .44 HP

Cupra-Nickel Condenser:
 (Water-cooled models)
 Adds protection from corrosive water elements.

- Operating Limits:**
- Ambient Temperature Range: 40° to 110°F (4.4° to 43.3°C)
 - Water Temperature Range: 45° to 90°F (4.4° to 32.2°C)
 - Water Pressure Ice Maker Water In: Min. 20 psi (137.9 kPa) Max. 80 psi (551.1 kPa)
 - Condenser Inlet Water In: (Water-cooled only) Min. 20 psi (137.9 kPa) Max. 150 psi (1,034.2 kPa)

Ice Machine Electric

Power Cord:
 115/60/1 ice machines are factory pre-wired with a 6' (180 cm) power cord and NEMA 5-15P-plug configuration. 208-230/60/1 ice machines are factory pre-wired with a 6' (180 cm) power cord only, no plug is supplied.

Total Amps:
 115/60/1 Air-cooled and Water-cooled: 6 amps
 208-203/1/60 Air-cooled and Water-cooled: 3 amps

Maximum fuse size:
 Air-cooled and Water-cooled: 15 amps
 HACR-type circuit breakers can be used in place of fuses.

Ice Shape



Half Dice
 $\frac{3}{8}$ " x $1\frac{1}{8}$ " x $\frac{1}{8}$ "
 (.95 x 2.86 x 2.22 cm)



Dice
 $\frac{7}{8}$ " x $\frac{1}{8}$ " x $\frac{3}{8}$ "
 (2.22 x 2.22 x 2.22 cm)

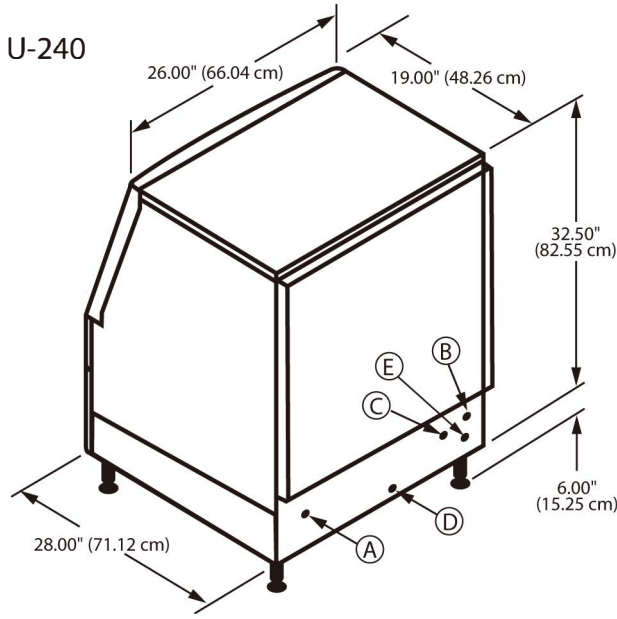


Regular
 $1\frac{1}{8}$ " x $1\frac{1}{8}$ " x $\frac{3}{8}$ "
 (2.86 x 2.86 x 2.22 cm)



COMPANY WITH
 QUALITY SYSTEM
 CERTIFIED BY DNV
 = ISO 9001:2008 =





Installation Note Recommended clearance for top, sides, and back is 5" (12.7 cm) however, there is no minimum clearance required.

- (A) Electrical Entrance
- (B) 3/8" (0.95 cm) F.P.T. Ice Making Water Inlet
- (C) 1/2" (1.27 cm) F.P.T. Minimum Water Condenser Outlet (water-cooled units)
- (D) 3/8" (0.95 cm) F.P.T. Water Condenser Inlet (water-cooled units)
- (E) 1/2" (1.27 cm) F.P.T. Ice Bin Drain

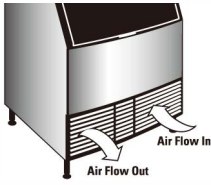
Specifications

Model	Ice Shape	Ice Production 24 Hours				Power kWh/ 100 lbs. @ 90°/70°F 32°/21°C	Potable water usage gal/100 lbs. ice @90/70°F	ENERGY* STAR®
		70°Air/50°F Water 21°Air/10°C Water	90°Air/70°F Water 32°Air/21°C Water					
UR-0240A	regular	217 lbs	98 kg	154 lbs	70 kg	8.9	21.4	★
UD-0240A	dice	225 lbs	102 kg	160 lbs	73 kg	8.8	23.4	★
UD-0240W	dice	201 lbs	91 kg	170 lbs	78 kg	7.5	22.7	NA
UY-0240A	half-dice	225 lbs	102 kg	160 lbs	73 kg	8.7	21.5	★
UY-0240W	half-dice	212 lbs	104 kg	170 lbs	78 kg	7.3	21.8	NA

Water-cooled Condenser: 149 gal. / 564 liters

Water-cooled models are excluded from ENERGY STAR® qualification.
 *Certified submission through AHRI complete pending official ENERGY STAR listing.

Air Flow



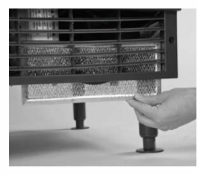
Air in right, air out left, no side vents. Great for installation under countertops and next to other equipment.

LuminIce™ Growth Inhibitor Accessory



Reduces yeast and bacteria growth for a cleaner ice machine.

Air Filter



Simple, tool-free removal for quick access during routine cleaning and maintenance.

