

Saeco SUP016R
INTERNATIONAL GROUP

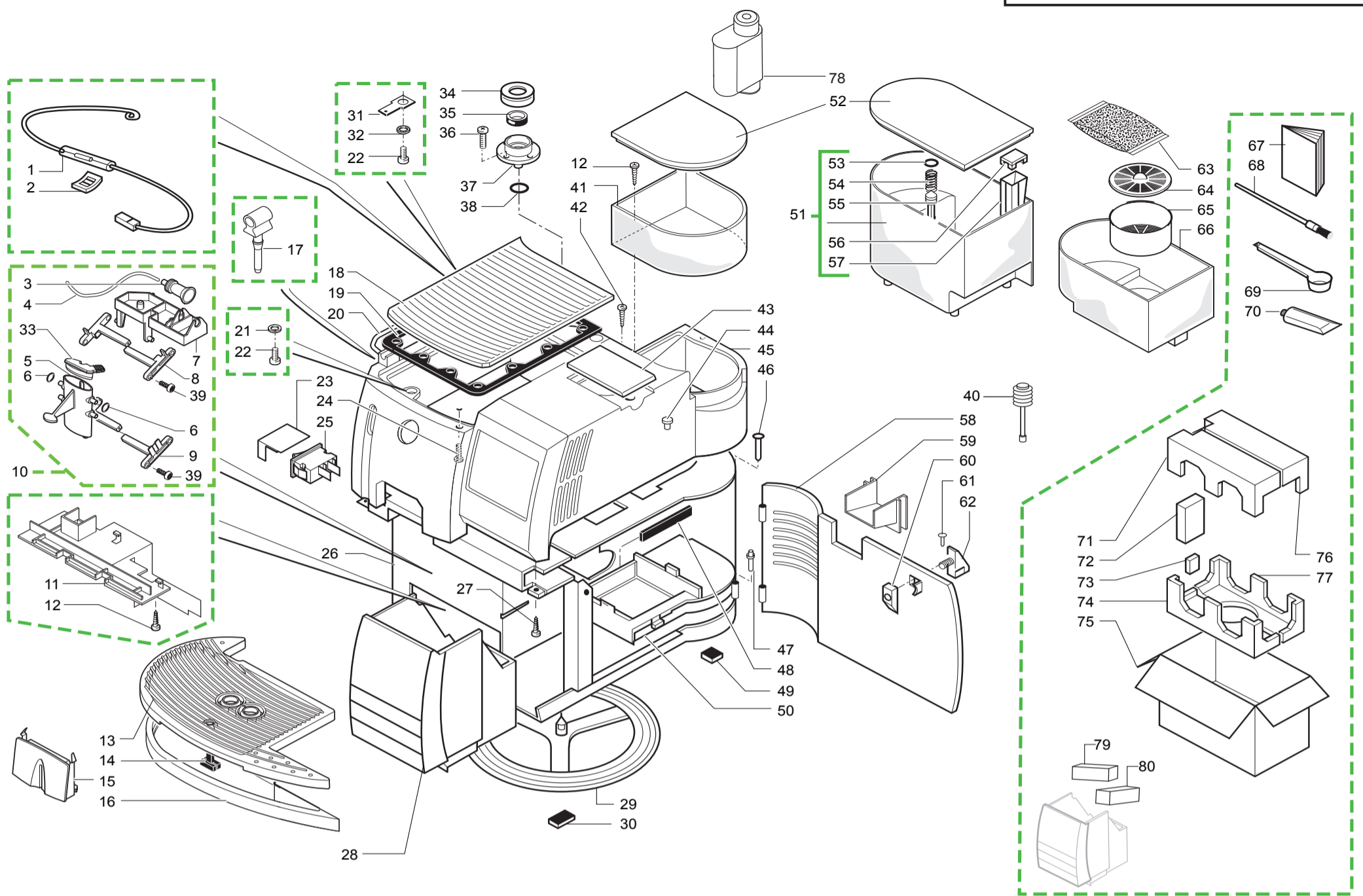
CE Cod.0354.00B.71C-00D.71C-0RC.71N-0CN.71X
Cod.0354.0BR.71Q-0AU.71L-Cod.10003574

POS	CODE	DESCRIPTION	NOTE	POS	CODE	DESCRIPTION	NOTE
01	0314.836	CONNECTOR 4 POLES CUPWARMER ASSY.	WITH ALUMINIUM BOILER	34	0701.031.150	SEAL COVER GREY	
02	NF18.001	PLATE FOR PIN D.3,2		35	145842900	WATER CONTAIN.VALVE SEAL GACO DIM14	
03	0347.011.050	FIDEX SLEEVE		36	12000895	SCREW TSP TORX 10 3X10 PLAST.SS	
04	JS01.005	SILICONE TUBE 5X8 BROWN	IN ROLL	37	0701.014.150	SEAL CONTAINER GREY	
05	0347.006.710	MOBILE DISPENSER CASING GREY		38	140320461	OR ORM 0080-20 IN TERMOIL	
06	NM02.010	OR ORM 0050-20 TERMOIL		39	129913202	SCREW TCB TORX 10 3X8 PLAST.ZN-B	
07	0347.005.710	FIXED CASING DISPENSER BLACK		40	147700200	LOADING PUMP DIAMETER 17 MM	(USA)
08	0347.A02.710	WHOLE MESH GREY UPPER DISP.RAL 7021		41	0329.006.230	COFFEE CONTAINER	
09	0347.A05.710	WHOLE MESH GREY LOWER DISP. RAL7021		42	129512921	SCREW TCB TORX 10 2,9X13 SHEET SS	
10	0347.A03.710	DISPENSER ASS. GREY RAL 7021		43	0313.008.770	SILVER DOSER LID DIGITAL	
11	0301.033.150	TANK CASING GREY		44	0312.013.050	PLUG FOR SCREW HOLE BLACK	
12	129670202	TCB PANELVIT SCREW 3,5X16 TESTAD=8 ZNP		45	0354.001.770	LID CAPPUCCINO	
13	0347.009.430	CHROMATE GRID FOR TANK		46	0301.019	PEG FOR DOOR SUPERAUTOM.	
14	0347.013.970	RED BALL FLOAT		47	0301.020	PIN FOR DOOR SUPERAUTOMATICA	
15	0347.004.430	CHROMATE DISPENSER COVER		48	9161.140	SEAL FOR UNIT PLATE	
16	0314.022.710	DRIP TRAY GREY		49	147623150	BLACK SQUARE ADHESIVE FOOT 5023	
17	0312.016.050	RUBBER TUBE HOLDER BLACK		50	0301.041.150	UNIT SUPPORT PLATE GREY	
18	0312.015.66A	CUPWARMING PLATE ASS.SILVER	230V	51	0301.046.230	WATER TANK ASS. SUPERAUTOM.	
	0312.015.66Z	CUPWARMING PLATE ASS. GREY	208V	52	20006540	KIT SPARES.LID CAF.ARG+LID.WATER.ARG.ROYAL	
19	0312.014	CUPWARMER SEAL		53	NM01.032	OR ORM 0060-30 SILICONE BLACK	
20	0312.017	TUBE FOR CASING LID		54	9161.110	SPRING FOR PISTON FOR SUPERAUTOM.	
21	U201.005	PLAIN WASHER 4,3X12 DIN 7349 GAL		55	147660562	GREY WATER VALVE CONTAINER PISTON	
22	129573202	SCREW TCB TORX 20 M4X8 AUTOF. ZN-B		56	9161.050.230	NAT/TRANSP.CAP FOR FLOATING SPACE MAGIC	
23	0327.036	GENERAL SWITCH PROTECTION		57	9161.112.150	LEVEL FLOAT GREY	
24	U043.012	SCREW TCBC M4,0X6 UNI 7687 GALV.		58	0313.001.710	DOOR ASS. ROYAL GREY RAL 7021	
25	NE03.028	SWITCH B1031C1181000W	208V	59	0313.012.710	DOOR COVER S/SCREEN GREY	
	NE03.038	BIPOLAR SWITCH FUSIT C1250AR	230V	60	0301.040.150	DOOR CLOSURE LEVER GREY	
		UP TO S/N. 9003ROY0465194	230V	61	U433.001	NAIL 2X06 UNI 7591 BURN.	
		FROM S/N. 9003ROY0465195		62	0301.039.710	DOOR CLOSURE KNOB GREY	
26	0314.007.710	CASING ASS. WITH SLOTS GREY		63	0313.013	RESIN PACKET INTAFIL SYSTEM	(D)
	11025914	7021/GREY CASING WITH SLOTS V2 ASSY.		64	0313.015	RESIN CONTAINER LID INTAFIL	(D)
		UP TO S/N. TV901102000294		65	0313.014	RESIN CONTAINER INTAFIL SYSTEM	(D)
		FROM S/N. TV901102000295		66	0313.016	WATER TANK ADAPTER INTAFIL	(D)
27	U110.005	SCREW AUT.TCB 3,9X9,5 DIN 7981 F		67	0354.951	INST. BOOKLET DIGITAL PLUS D	
28	0312.032.710	DUMP BOX PAINTED GREY RAL 7021			0354.953	INST. BOOKLET DIGITAL PLUS I	
	11025951	7021/GREY DUMP BOX V2			0354.954	INST. BOOKLET DIGITAL PLUS F	
		UP TO S/N. TV901102000294			0354.955	INST. BOOKLET DIGITAL PLUS GB	
		FROM S/N. TV901102000295			0354.956	INST. BOOKLET DIGITAL PLUS E	
29	0301.048.150	ROTATING RING GREY			0354.957	INST. BOOKLET DIGITAL PLUS P	
30	9991.096	ADHESIVE FOOT 8X15X3,2			0354.958	INST. BOOKLET DIGITAL PLUS NL	
31	NE15.003	MALE TONGUE PLAIN 6,3 D.5,2			15002514	INSTR.MANUAL ROYAL CAPP. REDES.KOR	
32	128310402	GALV.WASHER UNI 8842 A4		68	127390100	BRUSH FOR CLEANING	
33	0360.024.050	CAP FOR BODY		69	146680659	GREY MEASURE WITH HOLE	

Saeco
INTERNATIONAL GROUP

ROYAL CAPPUCCINO

TABLE 1A/7

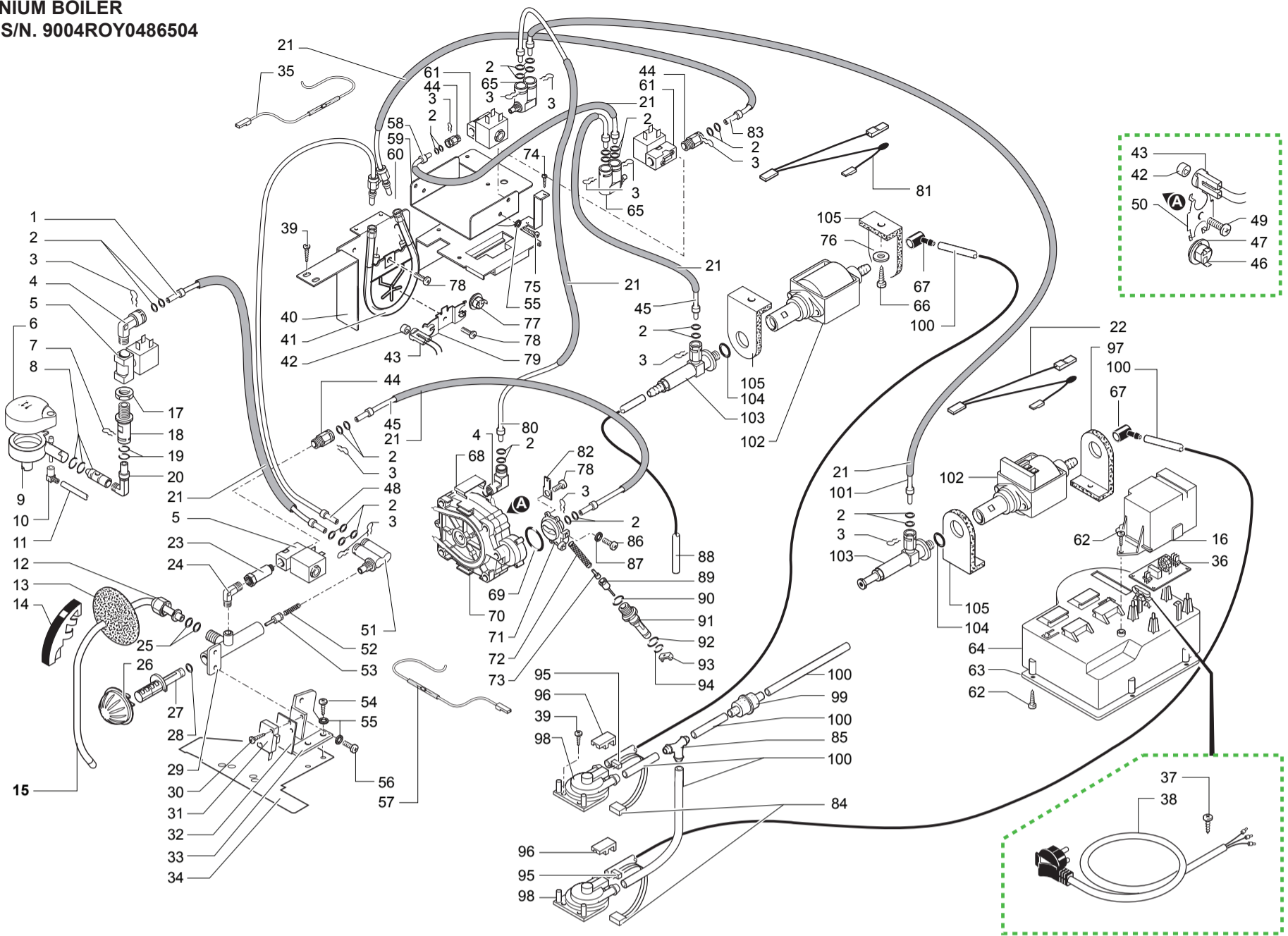


Saeco SUP016R
INTERNATIONAL GROUP

CE Cod.0354.00B.71C-00D.71C-0RC.71N-0CN.71X
Cod.0354.0BR.71Q-0AU.71L-Cod.10003574

POS	CODE	DESCRIPTION	NOTE	POS	CODE	DESCRIPTION	NOTE
70	11028379	PSA KLUBER TRIBOSTAR SIL 2 TUBE 5GR.					
71	0314.907	LEFT UPPER INSERT IN TECHMATE					
72	0314.909	DRIP TRAY BOX					
73	0330.906	SPACER IN POLYSTYRENE					
74	0314.904	LEFT LOWER INSERT IN TECHMATE					
75	0347.901	EXTERNAL BOX FLEXO ROYAL					
76	0314.906	RIGHT UPPER INSERT IN TECHMATE					
77	0314.905	RIGHT LOWER INSERT IN TECHMATE					
78	21001404	ACC SAE BRITA UNI.WAT.FILTER	EUR-ASIA				
79	13001335	PE INSERT145X50X50 FOR DUMP BOX V2 ROYAL					
80	13001336	PE INSERT115X50X50 FOR DUMP BOX V2 ROYAL					

**ALUMINIUM BOILER
UP TO S/N. 9004ROY0486504**



Saeco SUP016R
INTERNATIONAL GROUP

CE Cod.0354.00B.71C-00D.71C-0RC.71N-0CN.71X
Cod.0354.0BR.71Q-0AU.71L-Cod.10003574

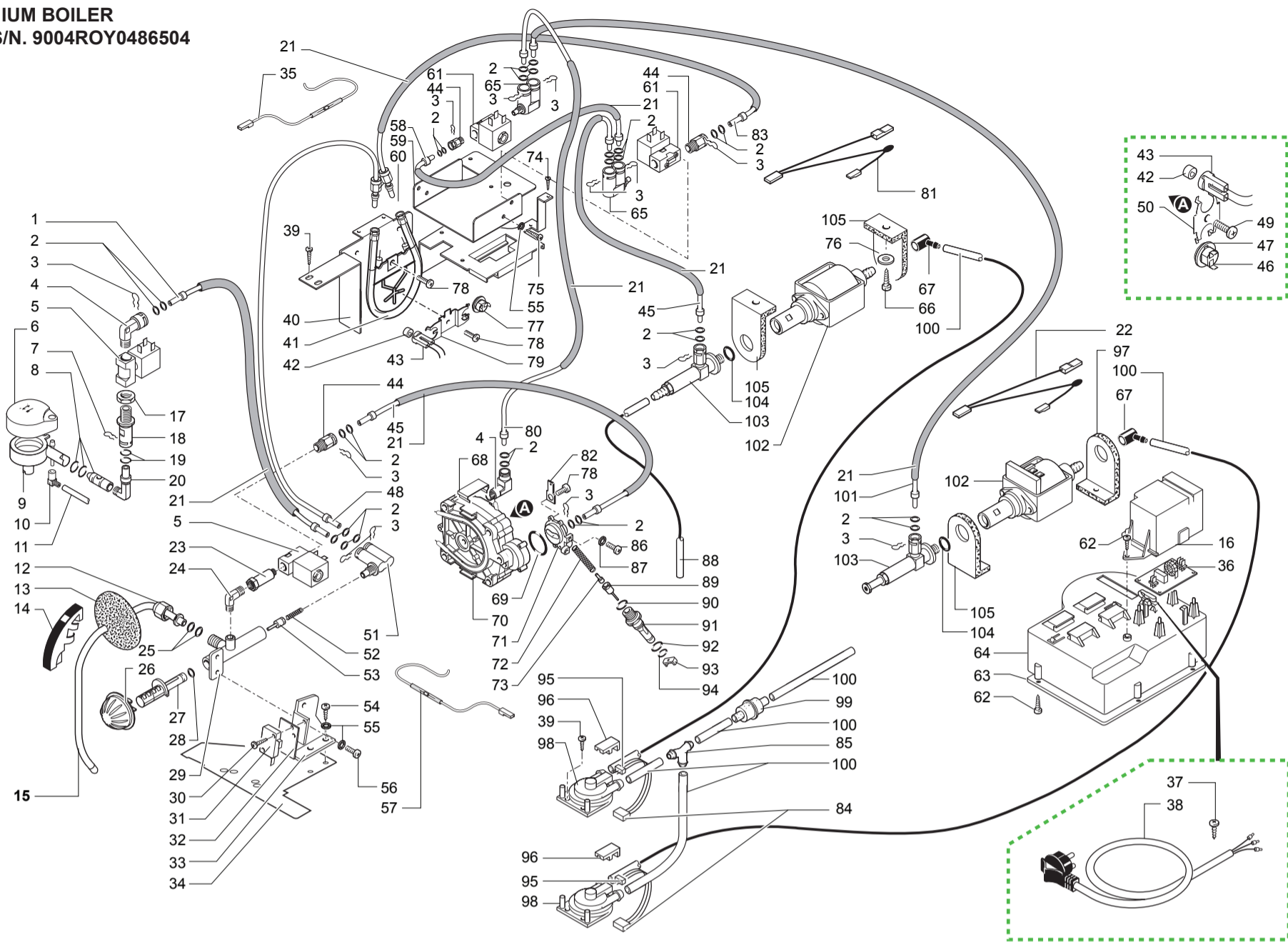
POS	CODE	DESCRIPTION	NOTE	POS	CODE	DESCRIPTION	NOTE
01	9979.A94	TEFLON ASS. TUBE 4X2 L.100 7-7		42	11004424	ALUM.SPACER FOR PHILIPS SENSOR MAGIC	
02	NM02.028	OR 2015 EPDM FDA		43	9019.A65	SENSOR ASS. FOR AUTOMATICA	230V
03	9011.144	FORK FOR TUBE D.4		44	11008875	TEA/BRASS CONNECTOR 1/8" FOR TUBE D=4	
04	9991.150	BRASS CONNECTOR 1/8" CONICAL AT 90°		45	9979.A55	TEFLON TUBE ASS. 4X2 L.260 7-7	
05	11000794	SOLE.N.VALVE 15VA 2 WAY 1/8" FEM.NIK	230V	46	NE09.021	THERMOSTAT 150°NC FASTON 90°	
06	0314.018.710	COVER FOR CAPPUCCINA. PAINTED GREY		47	9991.085	THERMOSTAT FIXING WASHER	
07	9161.135	SPRING FOR STEAM FAUCET		48	9979.A31	TEFLON TUBE ASS. 4X2 L.160 7	
08	142270200	TUBE+W/O RETAIN.CAPPUCCINATORE +2OR		49	129828502	TCB SCREW M6X30 UNI 7687 ZNP	
09	142520150	CAPPUCCINATORE AS.NEUTRAL BLACK		50	9011.034	THERMOSTAT RETAINING SPRING	
10	9991.122.050	CONN. FOR CAPPUCCINATORE BLACK		51	11008822	TEA/BRASS 90°CONNECT.DOUBLE FAST/LOCK	
11	9972.045	SILICONE TUBE 3,5X6 L.350 MM		52	9011.007	SPRING FOR PIN	
12	9161.438	NUT FOR STEAM TUBE		53	11009018	TEA/BRASS PISTON L=15,1 ASSY.	
13	9161.058.150	INTERNAL PROTECTION FOR TUBE GREY		54	U110.005	SCREW AUT.TCB 3,9X9,5 DIN 7981 F	
14	9161.055.710	HANDGRIP FOR ST. TUBE GREY		55	128310404	WASHER UNI 8842 A4 BURNISHED	
15	11004221	STAINLESS STEEL STEAM TUBE ROYAL ASSY.		56	129823802	TCB SCREW M4X8 UNI 7687 ZNP	
16	9161.126.150	COVER FOR FILTER CARD GREY		57	0314.810	CABLE 1 WIRE SILIC.WHITE TH/FUSE 192°	
17	U303.002	NUT HEXAGONAL M12X1,25UNI 5589		58	9979.A39	TEFLON TUBE ASS. 4X2 L.200 7-7	
18	11008452	TEA/BRASS SUPPORT FOR 90°CONNECTOR		59	0354.002	BRACKET	
19	NM02.007	OR 2025 TERMOIL		60	227961803	NIK/BRASS INLET CONNECTOR BOILER	
20	11008451	TEA/BRASS 90°CONNECT.FOR CAPPUCCINAT.		61	11008573	SOLE.N.VALVE 15VA 2W.1/8" FEM.DN3 TEA	230V
21	149361200	BLACK SILICONE TUBE 7,5X9,3	IN ROLL	62	129670202	TCB PANELVIT SCREW 3,5X16 TESTAD=8 ZNP	
22	0314.820	CONNECTOR ASS. 3POLE 1st SYSTEM		63	0301.055.150	LID FOR POWER CABLE CONT. GREY	
23	9161.413	CONNECTOR 1/8" FM		64	0301.056.150	POWER CABLE CONT. VDE GREY	
24	NR07.029	STANDARD CONN. L MM 1/8 NICK		65	227901103	NIK/BRASS 90°CONNECT.DOUBLE FAST/LOCK	
25	140324461	OR ORM 0060-20 IN TERMOIL		66	U109.013	SCREW AUT.TCB 3,5X13 DIN 7981 C	
26	0347.017.710	GREY STEAM KNOB RAL 7021 SERIG.		67	147920150	90°CONNECTOR PUMP INLET	
27	9161.057	STEAM FAUCET ROD		68	9011.054	SPRING FOR THERMAL FUSE	
28	140321461	OR 2018 IN EPDM		69	NM02.030	OR 2106 EPDM FDA	
29	11009006	TEA/BRASS FAUCET BODY		70	9019.A61.00A	BOILER CASINGS ASS. PROFESS.	230V
30	U109.014	SCREW AUT.TCB 2,9X16 DIN 7981 C		71	9011.165	BOILER SUPPORT WITH TUBE CONN. D.4	
31	NE05.013	MICROSWITCH		72	9011.132	SPRING FOR PIN	
32	11009072	INSULATE PROTECTION 24X38,8 FOR MICRO		73	11009013	TEA/BRASS PIN FOR PISTON L=10	
33	0312.011	STEAM FAUCET BRACKET		74	129512503	SCREW TCB 2,9X9,5 DIN 7981 NICK	
34	11000839	BLACK CLOSURE PLATE		75	U043.012	SCREW TCBC M4,0X6 UNI 7687 GALV.	
35	0334.822	CABLE 1 WIRE SILIC.WHITE TH/FUSE 216°		76	U207.004	PLAIN WASHER 4,3X16 UNI 6592 GAL	
36	0314.804	FILTRATION CARD 12A		77	NE09.006	THERMOSTAT 170°NC FAST. 90°+WASHER	
37	U140.009	PANELVIT TCB 3,0X16 DIN 7505 B GAL		78	U046.003	SCREW TCBC M4,0X12 INDENT. WASH.8	
38	NE01.120	CABLE SCHUKO GREY H05		79	9011.187	THERMOSTAT RETAINING SPRING	
38	NE01.114	POWER CABLE AUSTRALIA		80	9979.A62	TEFLON TUBE ASS. 4X2 L.180 7-7	
38	NE01.116	CABLE USA 3P GREY 1 MM	(B) (D) (AUS) (BR)	81	0354.804	CONN.ASS.3 POLE	
39	U110.004	SCREW AUT.TCB 3,5X6,5 DIN 7981 F		82	NE15.026	MALE TONGUE 45° 6,3 D.5,2	
40	0354.003	BRACKET FOR BOILER 2		83	9979.A36	TEFLON TUBE ASS. 4X2 L.250 7	
41	0354.R02.00A	KIT SPARES CAPP. BOILER BLECKMANN		84	0314.815	CONNECTOR ASS. 3POLE TURBINE PROF.	

Saeco
INTERNATIONAL GROUP

ROYAL CAPPUCCINO

TABLE 2A/7

ALUMINIUM BOILER
UP TO S/N. 9004ROY0486504

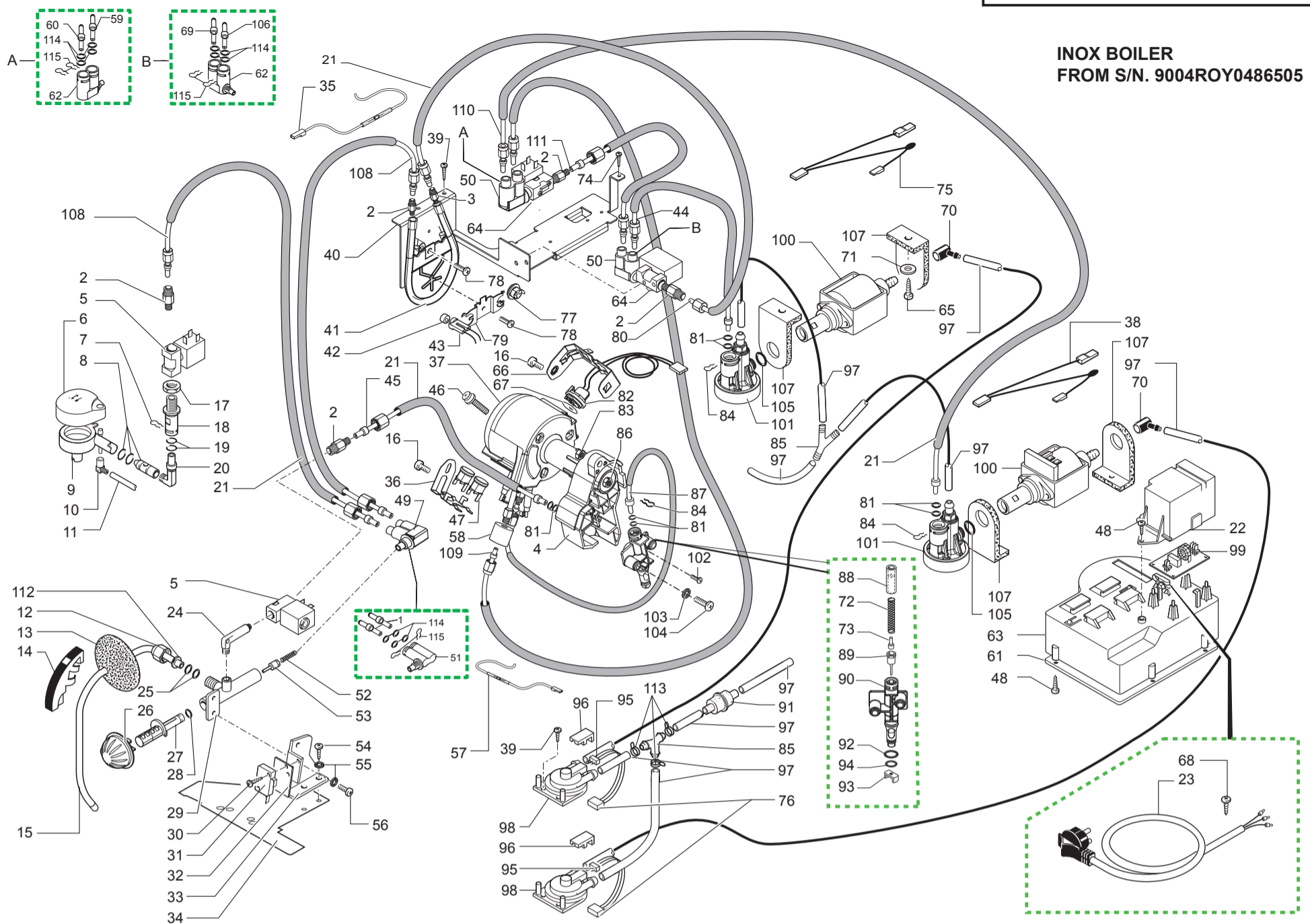


Saeco SUP016R
INTERNATIONAL GROUP

CE Cod.0354.00B.71C-00D.71C-0RC.71N-0CN.71X
Cod.0354.0BR.71Q-0AU.71L-Cod.10003574

POS	CODE	DESCRIPTION	NOTE	POS	CODE	DESCRIPTION	NOTE
85	147920800	Y CONNECTOR D=8 ART.80.26.048 KA.466					
86	U043.021	SCREW TCBC M5,0X8 UNI 7687 GALV.					
87	U208.003	TOOTHED WASHER 5,1X9 BRU					
88	9972.022	SILICONE TUBR 5X8 L.2MT					
89	11009019	TEA/BRASS PISTON L=20,9 ASSY.					
90	NM01.008	OR ORM 0080-20 SILICONE					
91	9011.100	PEG FOR VALVE IN PLASTIC					
92	NM01.035	OR ORM 0090-20 SILICONE					
93	11005099	CURSOR V2 FOR BOILER P119					
94	NM01.057	OR ORM 0050-20 SILICONE					
95		PARTICULAR NOT AVAILABLE	SEE PART.N°98				
96	9161.018	BRACKET FOR TURBINE					
97	149185850	EATON PUMP SUPPORT MAGIC 4002012					
98	286473300	-M-VDE TURBINE WITH SENSOR KIT					
99	144650300	SUCTION FILTER GAUZE NET 500 (NEW)					
100	9972.247	SILICONE TUBE 5X10 L.2000 MM					
101	9979.A30	TEFLON TUBE ASS. 4X2 L.330 7-7					
102	12000140	ULKA PUMP EP5/S GW	230V-50HZ				
	12000132	ULKA PUMP EP5/S GW	220V-50/60HZ				
103	9079.A27	SAFETY VALVE ASS.FAST/LOCK UNIVERS					
104	140321961	OR 2031 IN TERMOIL					
	9010.R18.00A	KIT SPARES 9010.121.00A					

INOX BOILER
FROM S/N. 9004ROY0486505



Saeco SUP016R
INTERNATIONAL GROUP

CE Cod.0354.00B.71C-00D.71C-0RC.71N-0CN.71X
Cod.0354.0BR.71Q-0AU.71L-Cod.10003574

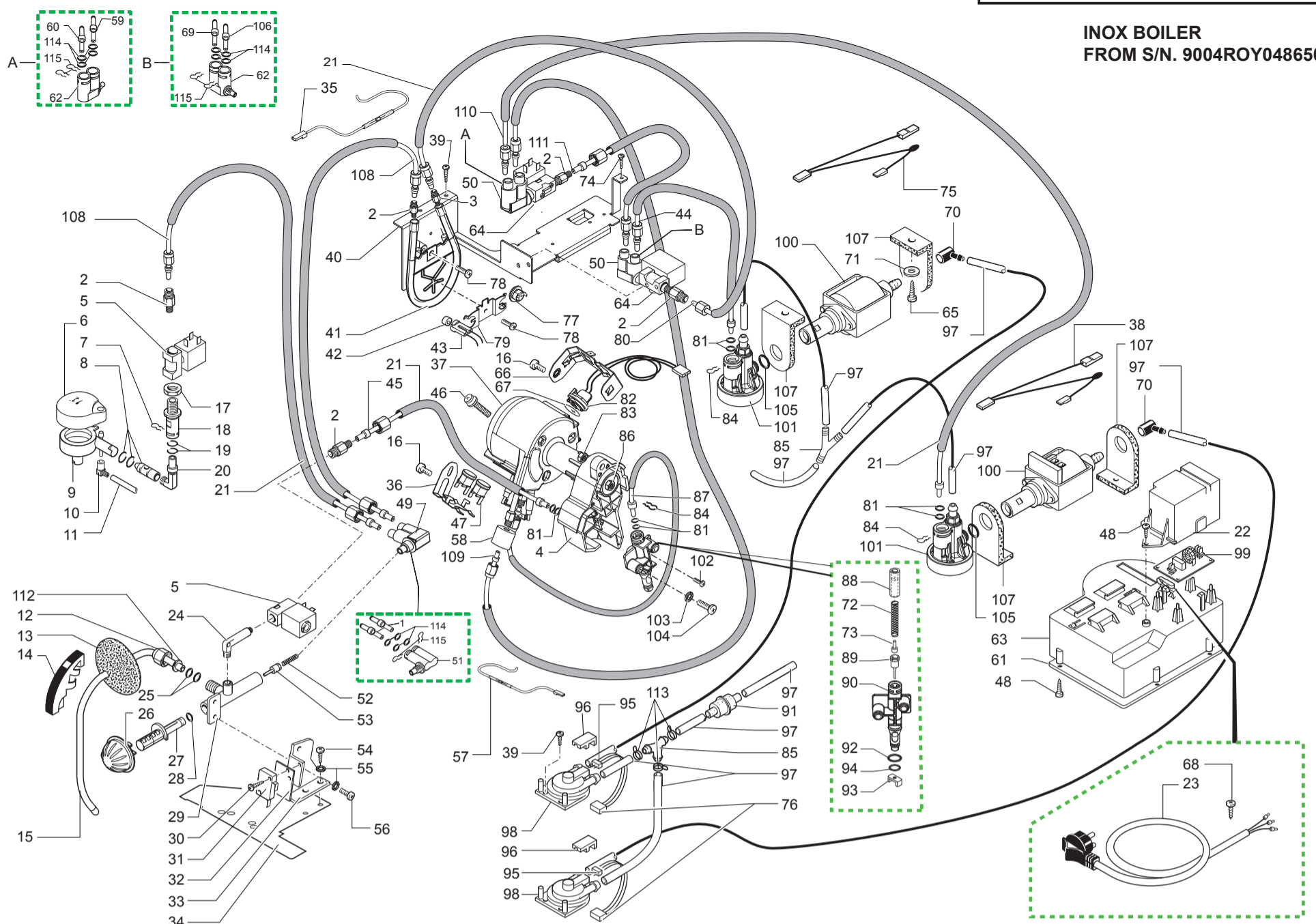
POS	CODE	DESCRIPTION	NOTE	POS	CODE	DESCRIPTION	NOTE
01	9979.B42	TEFLON ASS. TUBE 4X2 L.140 7 UP TO S/N. 9005ROY0536489		37	282058858	ALUM.BOILER WITH RESISTANCE	230V -1100W
02	11009009	TEA/BRASS CONNECTOR FOR TUBE TEFLON 4X2		37	282058800	ALUM.BOILER WITH RESISTANCE	208V -1100W
03	11009010	TEA/BRASS INLET CONNECTOR BOILER		38	0314.820	CONNECTOR ASS. 3POLE 1st SYSTEM	
04	9161.435	TUBOL.BOILER SUPPORT FOR SUPERAUTOMAT.		39	U110.004	SCREW AUT.TCB 3,5X6,5 DIN 7981 F	
05	11008569	SOLE.N.VALVE 15VA 2 WAY 1/8" FEM.TEA	230V	40	0354.006	BRACKET FOR PUMP 2	
	11000797	SOLE.N.VALVE 15VA 2 WAY 1/8" FEM.NIK	208V	41	9010.140.00A	BOILER ASS. UP TO S/N. 9005ROY0536489	
06	0314.018.710	COVER FOR CAPPUCCINA. PAINTED GREY			9010.140.00Z	BOILER ASS. UP TO S/N. 9005ROY0536489	
07	9161.135	SPRING FOR STEAM FAUCET			9010.152.00A	BLECKMANN BOILER ROYAL CAPP.230V ASSY. FROM S/N. 9005ROY0536490	
08	142270200	TUBE+W/O RETAIN.CAPPUCCINATORE +2OR			9010.152.00Z	BLECKMANN BOILER ROYAL CAPP.208V ASSY. FROM S/N. 9005ROY0536490	
09	142520150	CAPPUCCINATORE AS.NEUTRAL BLACK		42	11004424	ALUM.SPACER FOR PHILIPS SENSOR MAGIC	
10	9991.122.050	CONN. FOR CAPPUCCINATORE BLACK		43	9019.A72	SENSOR ASS. ROYAL	230V
11	9972.045	SILICONE TUBE 3,5X6 L.350 MM		44	227876200	CONNECTOR AS.TEFLON 2X4 L=200 MM FROM S/N. 9005ROY0536490	
12	9161.438	NUT FOR STEAM TUBE		45	9979.B39	TEFLON ASS. TUBE 4X2 L.210 7-OG	
13	9161.058.150	INTERNAL PROTECTION FOR TUBE GREY		46	129932202	ROUND HEAD SCREW 10.9 M5X20 GALV	
14	9161.055.710	HANDGRIP FOR ST. TUBE GREY		47	189428200	THERMOSTAT 175° 1NT-08L-3794	
15	11004225	STAINLESS STEEL STEAM TUBE ROYAL ASSY.		48	129670202	TCB PANELVIT SCREW 3,5X16 TESTA D=8 ZNP	
16	129573202	SCREW TCB PH/TT 4X8 UNI 8112 ZNP		49	11008584	TEA/BRASS 90° DOUBLE CONNECTOR FROM S/N. 9005ROY0536490	
17	U303.002	NUT HEXAGONAL M12X1,25UNI 5589		50	11008586	TEA/BRASS 90° DOUBLE CONNECTOR FROM S/N. 9005ROY0536490	
18	11008452	TEA/BRASS SUPPORT FOR 90°CONNECTOR		51	9161.301	BRASS 90°CONNECT.DOUBLE FAST/LOCK	
19	NM02.007	OR 2025 TERMOIL		52	126765317	STEEL SPRING BOILER PISTON MAGIC	
20	11008451	TEA/BRASS 90°CONNECT.FOR CAPPUCCIN.		53	11009018	TEA/BRASS PISTON L=15,1 ASSY.	
21	149361200	BLACK SILICONE TUBE 7,5X9,3	IN ROLL	54	U110.005	SCREW AUT.TCB 3,9X9,5 DIN 7981 F	
22	9161.126.150	COVER FOR FILTER CARD GREY		55	128310404	WASHER UNI 8842 A4 BURNISHED	
23	NE01.114	POWER CABLE AUSTRALIA	(AUS)	56	129823802	TCB SCREW M4X8 UNI 7687 ZNP	
	NE01.116	CABLE USA 3P GREY 1 MM	(BR)	57	0354.809	CABLE 1WIRE SILIC.BLUE TH/FUSE 192°	
	NE01.120	CABLE SCHUKO GREY H05	(B) (D)	58	147756562	PROTECTION FOR FOLK SPRING TUBE D=4	
	NE01.115	CABLE TW 3 POLE 230V	230V (RC)	59	9979.B38	TEFLON ASS. TUBE 4X2 L.370 7-OG UP TO S/N. 9005ROY0536489	
	NE01.069	POWER CABLE USA BLACK	(USA)	60	9979.A73	TEFLON ASS. TUBE 4X2 L.280 7-7 UP TO S/N. 9005ROY0536489	
24	11008453	TEA/BRASS 90°CONNECTOR FOR FAUCET EV.		61	0301.055.150	LID FOR POWER CABLE CONT. GREY	
25	140324461	OR ORM 0060-20 IN TERMOIL		62	9161.297	BRASS 90°CONNECTOR DOUBLE FAST/LOCK UP TO S/N. 9005ROY0536489	
26	0347.017.710	GREY STEAM KNOB RAL 7021 SERIG.		63	0301.056.150	POWER CABLE CONT. VDE GREY	
27	9161.057	STEAM FAUCET ROD		64	11008573	SOLE.N.VALVE 15VA 2W.1/8" FEM.DN3 TEA	230V
28	140321461	OR 2018 IN EPDM					
29	11009006	TEA/BRASS FAUCET BODY					
30	U109.014	SCREW AUT.TCB 2,9X16 DIN 7981 C					
31	NE05.013	MICROSWITCH					
32	11009072	INSULATE PROTECTION 24X38,8 FOR MICRO					
33	0312.011	STEAM FAUCET BRACKET					
34	11000839	BLACK CLOSURE PLATE					
35	0334.822	CABLE 1 WIRE SILIC.WHITE TH/FUSE 216°					
36	126838117	2 THERMOSTATS FIXING SPRING					

Saeco
INTERNATIONAL GROUP

ROYAL CAPPUCCINO

TABLE 3A/7

INOX BOILER
FROM S/N. 9004ROY0486505

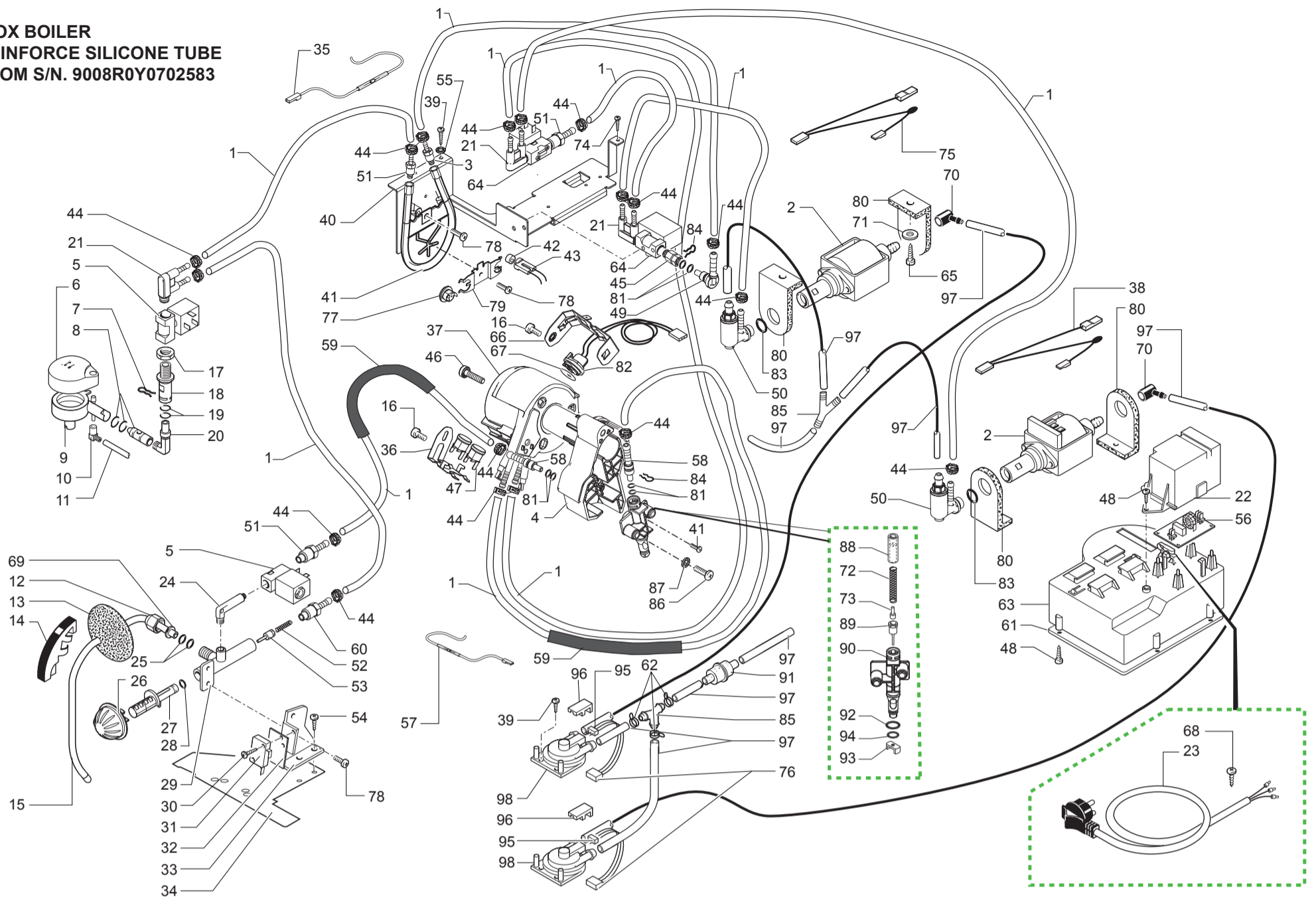


Saeco SUP016R
INTERNATIONAL GROUP

CE Cod.0354.00B.71C-00D.71C-0RC.71N-0CN.71X
Cod.0354.0BR.71Q-0AU.71L-Cod.10003574

POS	CODE	DESCRIPTION	NOTE	POS	CODE	DESCRIPTION	NOTE
64	11008576	SOLENOID VALVE 15VA 2W.1/8" FEM. DN3 TEA	208V	104	11003555	GALVANIZED SELF-TAPPING SCREW 4,8X32	
65	U109.013	SCREW AUT.TCB 3,5X13 DIN 7981 C		105	140321961	OR 2031 IN TERMOIL	
66	126838017	SENSOR FIXING SPRING		106	9979.A39	TEFLON TUBE ASS. 4X2 L.200 7-7	
67	145951600	ELECTRIC INSULATING DISK D=16		107	149185850	EATON PUMP SUPPORT MAGIC 4002012	
68	U140.009	PANELVIT TCB 3,0X16 DIN 7505 B GAL		108	9979.B52	TEFLON ASS. TUBE 4X2 L.160	
69	9979.B07	TEFLON ASS. TUBE 4X2 L.250 7				FROM S/N. 9005ROY0536490	
		UP TO S/N. 9005ROY0536489		109	9979.B53	TEFLON ASS. TUBE 4X2 L.370 OG-OG	
70	147920150	90° CONNECTOR PUMP INLET				FROM S/N. 9005ROY0536490	
71	U207.004	PLAIN WASHER 4,3X16 UNI 6592 GAL		110	9979.B29	TEFLON ASS. TUBE 2X4 L.280	
72	9011.132	SPRING FOR PIN				FROM S/N. 9005ROY0536490	
73	11009013	TEA/BRASS PIN FOR PISTON L=10		111	9979.B47	TEFLON ASS. TUBE 4X2 L.320 OG-OG	
74	129512503	SCREW TCB 2,9X9,5 DIN 7981 NICK				FROM S/N. 9005ROY0536490	
75	0354.804	CONN.ASS.3 POLE		112	9161.440	SCRAPER	
76	0347.817	CONN. ASS. 3 POLE		113	NV99.087	BAND D=11/11,6	
77	NE09.006	THERMOSTAT 170°NC FAST. 90°+WASHER		114	140328059	OR 2015 IN SILICONE PTFE/FDA	
78	U046.003	SCREW TCBC M4,0X12 INDENT. WASH.8				UP TO S/N. 9005ROY0536489	
79	9011.187	THERMOSTAT RETAINING SPRING		115	9011.144	FORK FOR TUBE D.4	
80	9979.B40	TEFLON ASS. TUBE 4X2 L.250 OG-OG				UP TO S/N. 9005ROY0536489	
81	140328059	OR 2015 IN SILICONE PTFE/FDA					
82	288582300	SENSOR ELECTBOARD WITH CONNECT.ASSY.					
83	U310.003	NUT SELF LOCK.M5 UNI 7473					
84	9011.144	FORK FOR TUBE D.4					
85	147920800	Y CONNECTOR D=8 ART.80.26.048 KA.466					
86	123453902	SELF-LOCKI.NUT M5X0,8 DIN 980 CLA.8					
87	227876600	CONNECTOR AS.TEFLON 2X4 L=300 MM					
88	11009012	TEA/BRASS BUSH PIN BOILER					
89	11009019	TEA/BRASS PISTON L=20,9 ASSY.					
90	9161.434	BOILER PIN					
91	144650300	SUCTION FILTER GAUZE NET 500 (NEW					
92	NM01.035	OR ORM 0090-20 SILICONE					
93	11005099	NATURAL CURSOR V2 FOR BOILER P119					
94	NM01.057	OR ORM 0050-20 SILICONE					
95		PARTICULAR NOT AVAILABLE	SEE PART.N°98				
96	9161.018	BRACKET FOR TURBINE					
97	9972.247	SILICONE TUBE 5X10 L.2000 MM					
98	286473300	-M-VDE TURBINE WITH SENSOR KIT					
99	0314.804	FILTRATION CARD 12A					
100	12000140	ULKA PUMP EP5/S GW	230V-50HZ				
	12000132	ULKA PUMP EP5/S GW	220V-50/60HZ				
	12000182	ULKA PUMP EP5/S GW	220V-60HZ				
101	229452100	COMPENSAT.AND SAFETY VALVE 16BAR ASSY					
102	U140.004	PANELVIT TCB 3,0X12 DIN 7505 B GAL					
103	128310521	WASHER UNI 8842 A5 SS					

INOX BOILER
REINFORCE SILICONE TUBE
FROM S/N. 9008R0Y0702583

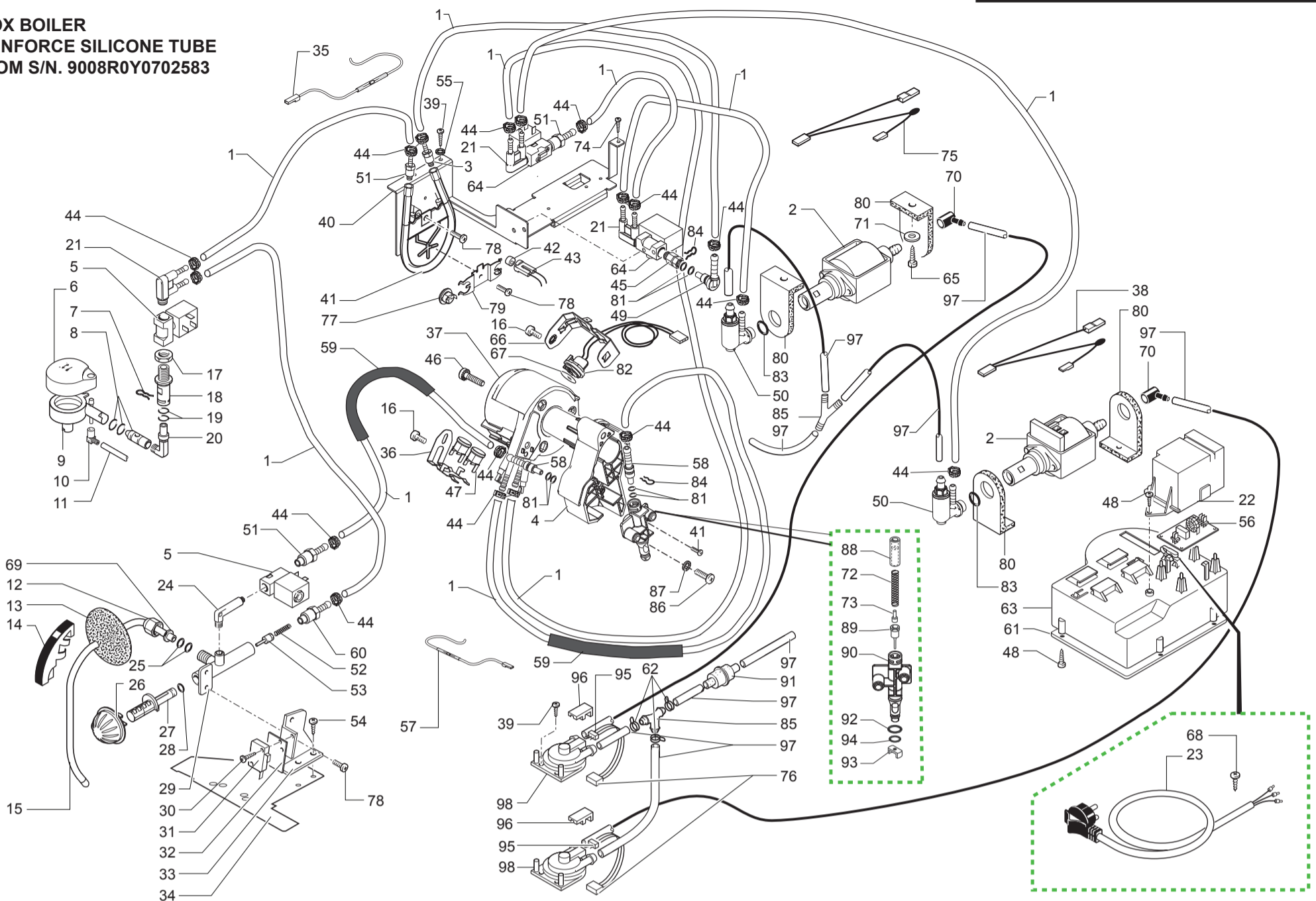


Saeco SUP016R
INTERNATIONAL GROUP

CE Cod.0354.00B.71C-00D.71C-0RC.71N-0CN.71X
Cod.0354.0BR.71Q-0AU.71L-Cod.10003574

POS	CODE	DESCRIPTION	NOTE	POS	CODE	DESCRIPTION	NOTE
01	16000380	5X8,9 SILICONE TUBE	IN ROLL	37	282058858	ALUM.BOILER WITH RESISTANCE	230V-1100W
02	12000140	ULKA PUMP EP5/S GW	230V-50HZ	38	0314.820	CONNECTOR ASS. 3POLE 1st SYSTEM	
	12000182	ULKA PUMP EP5/S GW	220V-60HZ	39	U110.004	SCREW AUT.TCB 3,5X6,5 DIN 7981 F	
	12000167	ULKA PUMP EP5/S GW	240V-50HZ	40	0354.006	BRACKET FOR PUMP 2	
03	11010261	TEA/BRASS INLET CONNECTOR BOILER		41	11010390	BLECKMANN BOILER V2 PROFESS.ASSY.	230V
04	11010338	TUBOL BOILER SUPPORT V2 FOR ROYAL		42	11004424	ALUM.SPACER FOR PHILIPS SENSOR MAGIC	
05	11008569	SOLE.N.VALVE 15VA 2 WAY 1/8" FEM.TEA	230V	43	9019.A72	SENSOR ASS. ROYAL 230V	
06	0314.018.710	COVER FOR CAPPUCINA. PAINTED GREY		44	12000892	OETIKER CLAMP D=9,5 16700004	
07	9161.135	SPRING FOR STEAM FAUCET		45	11008875	TEA/BRASS CONNECTOR 1/8" FOR TUBE D=4	
08	142270200	TUBE+W/O RETAIN.CAPPUCINATORE +/2OR		46	129932202	ROUND HEAD SCREW 10.9 M5X20 GALV	
09	142520150	CAPPUCINATORE AS.NEUTRAL BLACK		47	189428200	THERMOSTAT 175° 1NT-08L-3794	
10	9991.122.050	CONN. FOR CAPPUCINATORE BLACK		48	129670202	TCB PANELVIT SCREW 3,5X16 TESTAD=8 ZNP	
11	9972.045	SILICONE TUBE 3,5X6 L.350 MM		49	11006501	BLACK CONNECT.FAST LOCK 90° SILIC.TUBE	
12	9161.438	NUT FOR STEAM TUBE		50	11004689	TEA/BRASS SAFETY VALVE 16-18 BAR ASSY.	
13	9161.058.150	INTERNAL PROTECTION FOR TUBE GREY		51	11006304	TEA/BRASS CONNECT. FOR ALUM. BOILER	
14	9161.055.710	HANDGRIP FOR ST. TUBE GREY		52	126765317	STEEL SPRING BOILER PISTON MAGIC	
15	11004225	STAINLESS STEEL STEAM TUBE ROYAL ASSY.		53	11009018	TEA/BRASS PISTON L=15,1 ASSY.	
16	129573202	SCREW TCB TORX 20 M4X8 AUTOF. ZN-B		54	U110.013	SCREW AUT.TCB 3,9X6,5 DIN 7981 F	
17	U303.002	NUT HEXAGONAL M12X1,25UNI 5589		55	128310521	WASHER UNI 8842 A5 SS	
18	11008452	TEA/BRASS SUPPORT FOR 90°CONNECT.		56	0314.804	FILTRATION CARD 12A	
19	NM02.007	OR 2025 TERMOIL		57	0354.809	CABLE 1WIRE SILIC.BLUE TH/FUSE 192°	
20	11008451	TEA/BRASS 90°CONNECT.FOR CAPPUCIN.		58	11000750	TEA/BRASS CONNECT. FOR SILICONE TUBE	
21	11010243	TEA/BRASS 90° DOUBLE CONNECTOR		59	16000540	TRANSPAR.10,5X12,3 SILICONE TUBE	IN ROLL
22	9161.126.150	COVER FOR FILTER CARD GREY		60	11011243	TEA/BRASS CONNECTOR FOR FAUCET	
23	NE01.120	CABLE SCHUKO GREY H05		61	0301.055.150	LID FOR POWER CABLE CONT. GREY	
	NE01.114	POWER CABLE AUSTRALIA		62	NV99.087	BAND D=11/11,6	
	NE01.115	CABLE TW 3 POLE 230V		63	0301.056.150	POWER CABLE CONT. VDE GREY	
	NE01.129	POWER CABLE RVV 3X1 CHINAL=1500MM		64	11008573	SOLE.N.VALVE 15VA 2W.1/8"FEM.DN3 TEA	230V
	11001845	BLACK POW.CABLE KOREA H05VV-F 3X1 L=1600		65	U110.003	SCREW AUT.TCB 3,5X9,5 DIN 7981 F	
24	11008453	TEA/BRASS 90°CONNECT. FOR FAUCET EV.		66	126838017	SENSOR FIXING SPRING	
25	140324461	OR ORM 0060-20 IN TERMOIL		67	145951600	ELECTRIC INSULATING DISK D=16	
26	0347.017.710	GREY STEAM KNOB RAL 7021 SERIG.		68	U140.009	PANELVIT TCB 3,0X16 DIN 7505 B GAL	
27	9161.057	STEAM FAUCET ROD		69	9161.440	SCRAPER FOR STEAM TUBE	
28	140321461	OR 2018 IN EPDM		70	147920150	90° INLET CONNECTOR PUMP	
29	11009006	TEA/BRASS FAUCET BODY		71	U207.004	PLAIN WASHER 4,3X16 UNI 6592 GAL	
30	U109.027	SCREW TCB TORX 10 2,9X19 SHEET SS		72	9011.132	SPRING FOR PIN	
31	NE05.013	MICROSWITCH		73	11009013	TEA/BRASS PIN FOR PISTON L=10	
32	11009072	INSULATE PROTECTION 24X38,8 FOR MICRO		74	129512503	SCREW TCB 2,9X9,5 DIN 7981 NICK	
33	0312.011	STEAM FAUCET BRACKET		75	0354.804	CONN. ASS. THERMAL 100°	
34	11000839	BLACK CLOSURE PLATE		76	0347.817	CONN. ASS. 3 POLE	
35	0334.822	CABLE 1 WIRE SILIC.WHITE TH/FUSE 216°		77	NE09.006	THERMOSTAT 170°NC FAST. 90°+WASHER	
36	126838117	2 THERMOSTATS FIXING SPRING		78	U046.003	SCREW TCBD TORX 20 M4X12 ZN-B	
				79	9011.187	THERMOSTAT RETAINING SPRING	

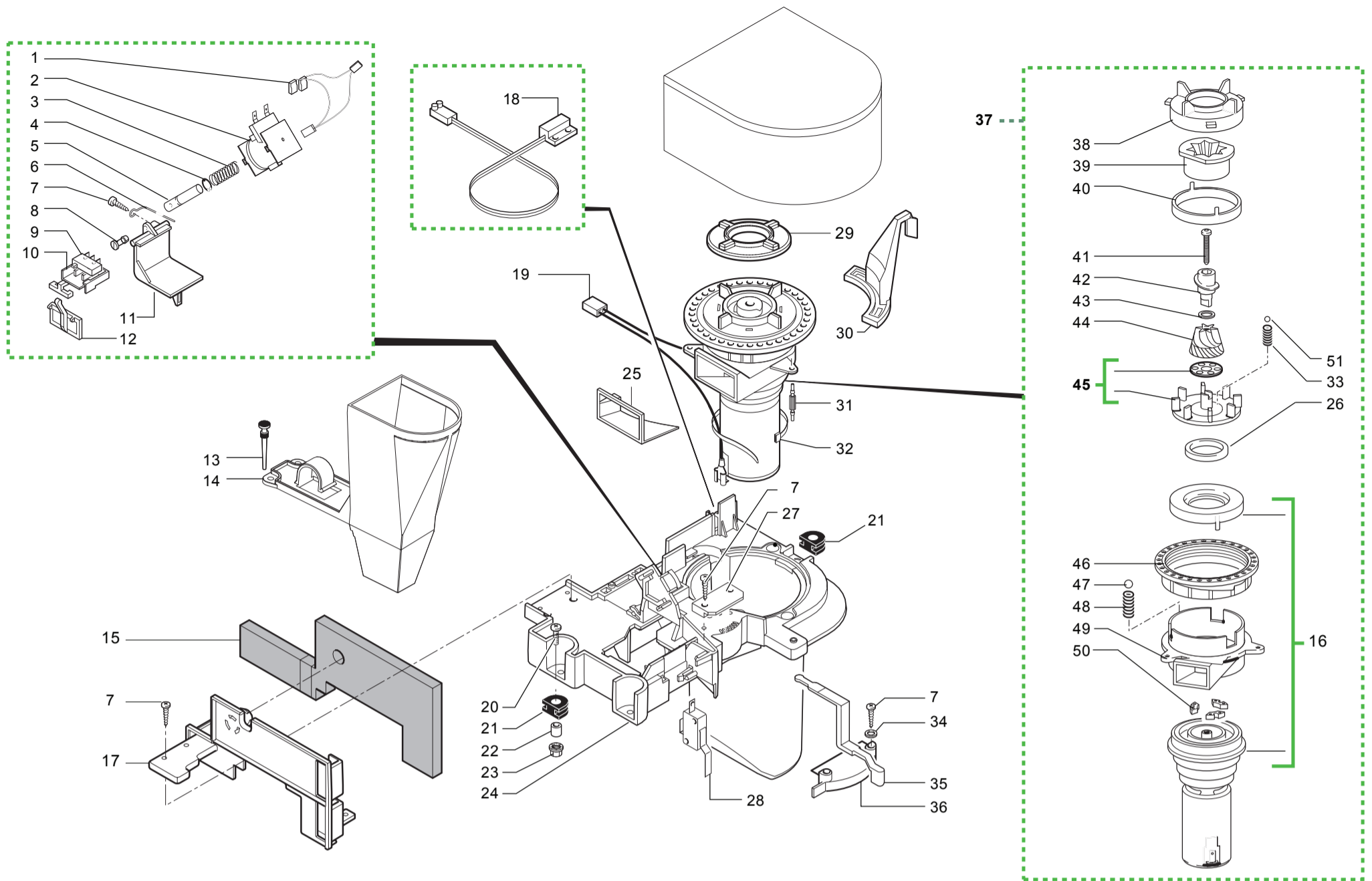
INOX BOILER
REINFORCE SILICONE TUBE
FROM S/N. 9008R0Y0702583



Saeco SUP016R
INTERNATIONAL GROUP

CE Cod.0354.00B.71C-00D.71C-0RC.71N-0CN.71X
Cod.0354.0BR.71Q-0AU.71L-Cod.10003574

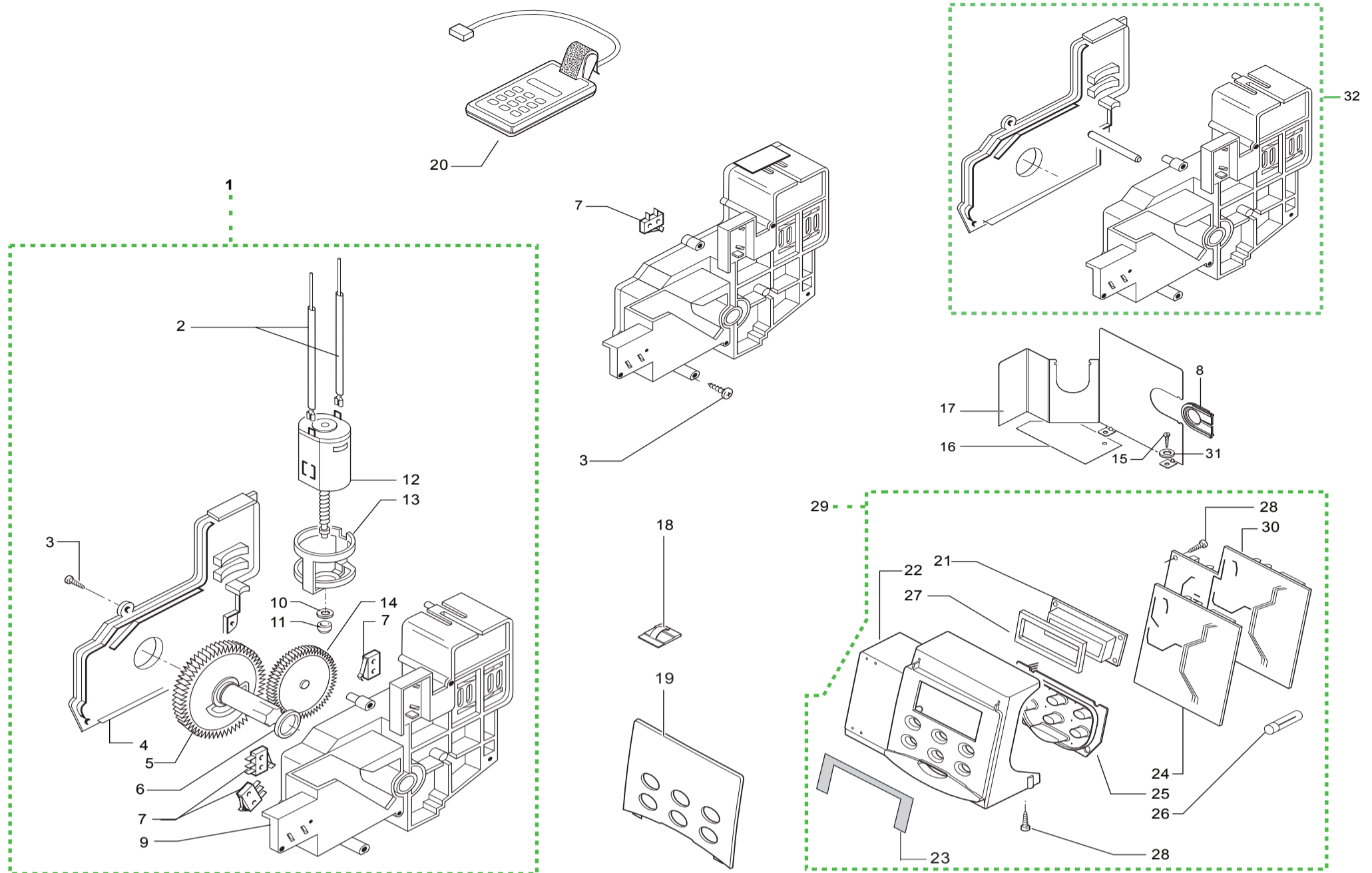
POS	CODE	DESCRIPTION	NOTE	POS	CODE	DESCRIPTION	NOTE
80	149185850	EATON PUMP SUPPORT MAGIC 4002012					
81	140328059	OR 2015 IN SILICONE PTFE/FDA					
82	288582300	SENSOR ELECT.BOARD WITH CONN. ASSY.					
83	140321961	OR 2031 IN TERMOIL					
84	9011.144	FORK FOR TUBE D.4					
85	147920800	Y CONNECTOR D=8 ART.80.26.048 KA.466					
86	11003555	GALVANIZED SELF-TAPPING SCREW 4,8X32					
87	128310321	WASHER UNI 8842 A3 SS					
88	11009012	TEA/BRASS BUSH PIN BOILER					
89	11009019	TEA/BRASS PISTON L=20,9 ASSY.					
90	9161.434	BOILER PIN					
91	144650300	SUCTION FILTER GAUZE NET 500 (NEW)					
92	NM01.035	OR ORM 0090-20 SILICONE					
93	11005099	NATURAL CURSOR V2 FOR BOILER P119					
94	NM01.057	OR ORM 0050-20 SILICONE					
95		PARTICULAR NOT AVAILABLE	SEE PART.N°98				
96	9161.018	BRACKET FOR TURBINE					
97	JS01.022	SILICONE TUBE 5X10	IN ROLL				
98	286473300	-M-VDE TURBINE WITH SENSOR KIT	WITH PART.N°95				
	11010339	BOILER V2 ROYAL CAPP.230V ASSY.	COMPLETE				



Saeco SUP016R
INTERNATIONAL GROUP

CE Cod.0354.00B.71C-00D.71C-0RC.71N-0CN.71X
Cod.0354.0BR.71Q-0AU.71L-Cod.10003574

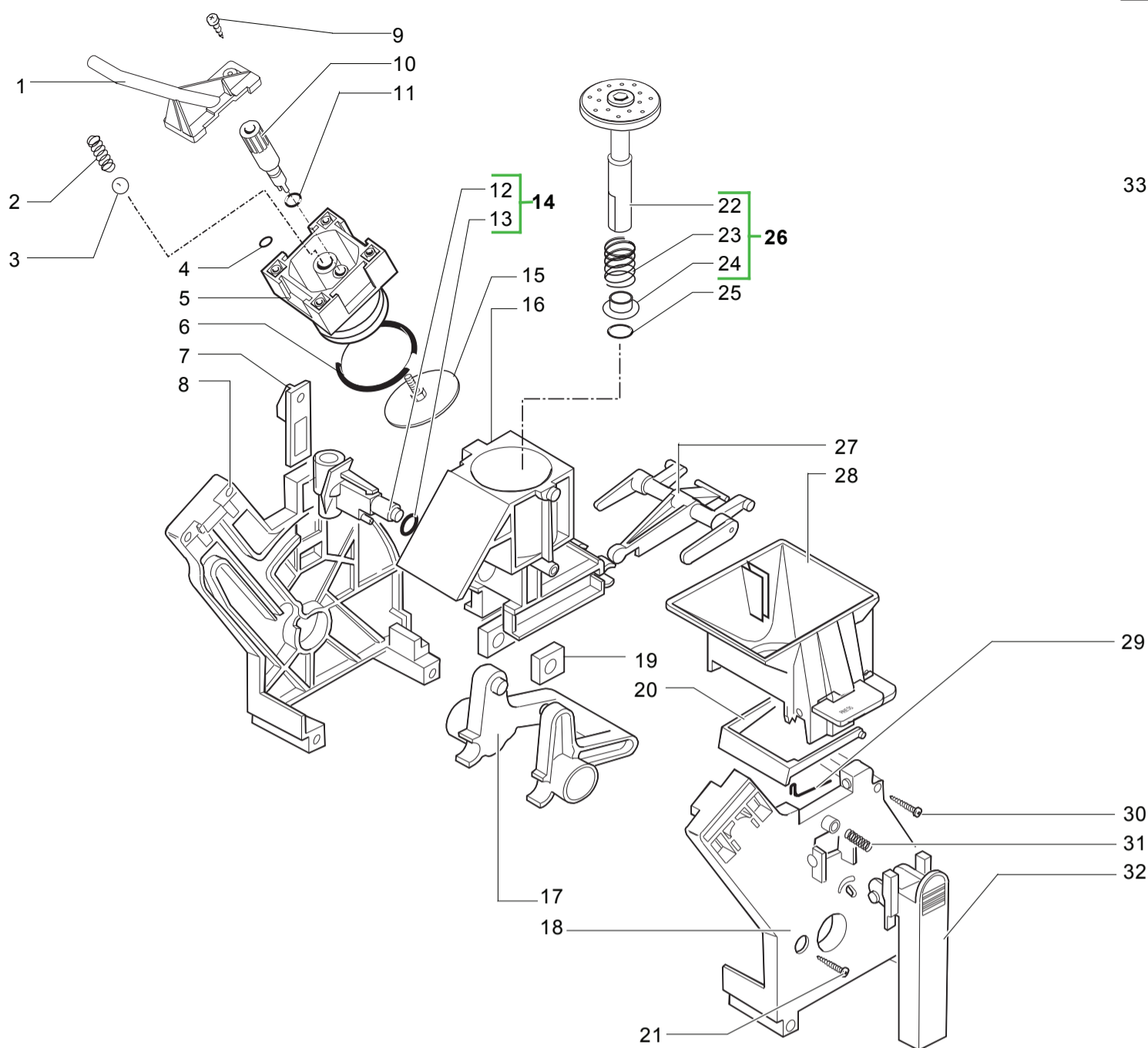
POS	CODE	DESCRIPTION	NOTE	POS	CODE	DESCRIPTION	NOTE
01	0301.866	CONNECTOR ASS. 2 POLE DOSER COIL		41	129931002	TORX SCREW T10 TCB 3,5X40 SX ZNG	
02	9129.A21.00A	WHOLE COIL X SUPERAUT.		42	147470763	INCREASE SCREW PIN COFFEE GRINDER MAGIC	
03	126764818	SPRING ELECTROM.BEAN DOSER MAGIC		43	U201.002	PLAIN WASHER 10X16X0,2DIN 988 GAL	
04	U701.003	SNAP RING 7 UNI 7434		44	226477700	KIT ITAL MILL GRINDERS	WITH PART.N°39
05	9161.041	DOSER ELECTROMAGNET CORE		45	149188750	CONICAL GRIND. SUPP. + RING MAGIC	
06	9161.048	SCRAPER ROD		46	146570950	RING NUT FOR GRINDING ADJUSTMENT MAGIC	
07	129913902	SCREW TCB TORX 10 3X12 PLAST.ZN-B		47	128610421	STAIL.STELL AISI 304 SPHERE D=3,2MM	
08	9161.076.150	DOSER DOOR PIN GREY		48	126770117	NEW SPRING SPHERE D=3,2 MOTOR MAGIC	
09	NE05.017	MICROSWITCH		49	9141.080	MOTOR SUPPORT	
10	9161.072.150	MICRO SUPPORT CURSOR GREY		50	140230400	SHOCK ABS.CONICAL GRINDER SUPP MAGIC	
11	9161.074.150	DOSER DOOR GREY		51	128610521	STAIL.STEEL AISI 304 SPHERE D=5,5MM	
12	9161.073.150	DOSE CONTROL COMPENSATOR GREY					
13	9161.082	RUBBER COUPLER					
14	9161.223.150	COMPL.HOPP.FOR POWDER COFFEE GRE.					
15	9161.382	INSULATOR FOR COFFEE GRINDER					
16	0301.R10.00A 20000170	SPARE MOTOR UNIT MC MOTOR SPARE UNIT	230V 208V				
17	9161.366.150	GREY/7016 SUPPORT FOR INSULATOR					
18	0301.811	CONNECTOR 2 POLES LEVEL ASSY.					
19	0301.869	CONNECTOR ASS. 2 POLE COFFEEGRINDE					
20	U043.004	SCREW TCBC M4,0X16 UNI 7687 GALV.					
21	9991.005	RUBBER FOR COFFEE GRINDER					
22	9141.003	SPACER FOR RUBBER					
23	U324.006	NUT M4 FLANGED INDENTED BASE					
24	9161.365.150	GREY PLATE FOR COFFEE GRINDER					
25	1505.014	COFFEEGRINDER SEAL					
26	140360200	FELT RING 40X34X5					
27	9161.097.150	LEVER FIXING PLATE GREY					
28	NE05.037	MICROSWITCH					
29	1505.020	GASKET COFFEE GRINDER UL					
30	9161.080.710	GREY LEVER GRINDING SETTING					
31	9991.103	ANTIVIBRATION FOR COFFEEGRINDER					
32	144320200	SELF LOCK STRIP L=200MM					
33	126765517	STEEL SPRING SPHERE D=5,5 MOTOR MAGIC					
34	U201.001	PLAIN WASHER 3,2X9 DIN 7349 GAL					
35	0313.003.150	ADJUSTMENT LEVER GREY RAL 7016					
36	9161.403.150	DOSE ADJUST. SCALE GREY RAL 7016					
37	9140.036.00A 9140.035.00A 9140.036.00Z	STANDARD COFFEE GRINDER STANDARD COFFEE GRINDER ITA STANDARD COFFEE GRINDER	230V 230V 208V				
38	149186150	BLACK UPPER GRINDER SUPPORT MAGIC					
39		PARTICULAR NOT AVAILABLE	SEE PART.N°44				
40	142844550	UPPER GRINDER COVER COFFEE GRIND. MAGIC					



Saeco SUP016R
INTERNATIONAL GROUP

CE Cod.0354.00B.71C-00D.71C-0RC.71N-0CN.71X
Cod.0354.0BR.71Q-0AU.71L-Cod.10003574

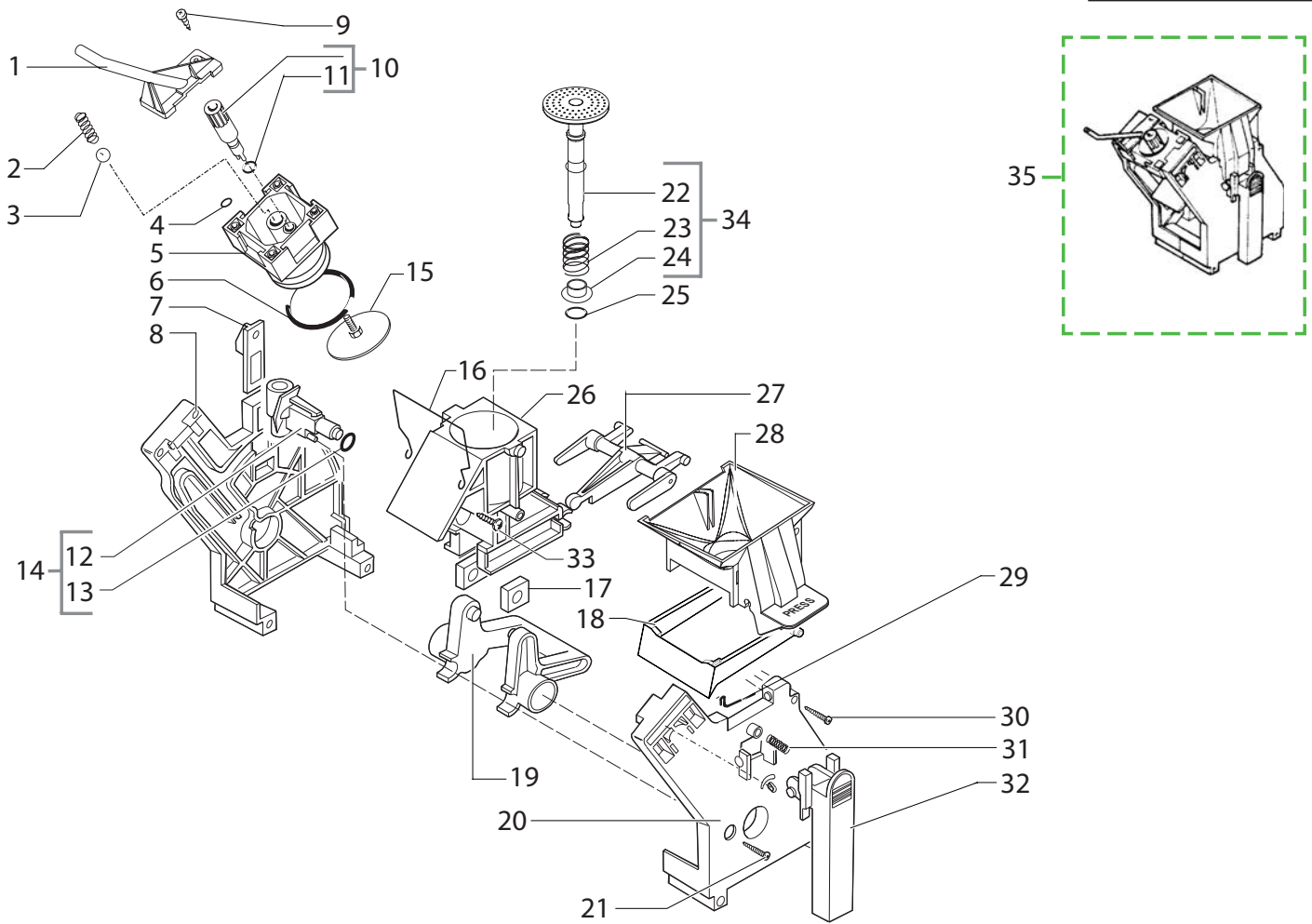
POS	CODE	DESCRIPTION	NOTE	POS	CODE	DESCRIPTION	NOTE
01	9120.055.150	RATIOMOTOR ROYAL WITH GREY TUBE ASSY.					
02		PARTICULAR NOT AVAILABLE	SEE PART.N°12				
03	129670202	TCB PANELVIT SCREW 3,5X16 TESTAD=8 ZNP					
04	17000719	GREY RATIOMOTOR LID RYL					
		FROM TO S/N TV901202001268					
05	9121.069.150	GEAR Z=108 FOR MOUNTING PLATE M4000					
06	9161.368	MYLAR WASHER FOR RATIOMOTOR					
07	NE05.038	MICROSWITCH					
08	9161.429	CABLE CLAMP FOR BRACKET					
09	11027899	GREY RATIOMOTOR CASING W/DUCT V2 ASSY.					
		FROM TO S/N TV901202001268					
10	148380200	WASHER BAKELIZZATE D=5,5					
11	9121.046	SINTERED BUSH FOR MOTOR					
12	9120.056	GEN.MOTOR FOR RATIOMOTOR ROYAL CAPPUCAS	WITH PART.N°2,13				
13	9121.044	ANTIVIBRATION FOR MOTOR					
14	9121.042	GEAR Z.12/90					
15	U110.004	SCREW AUT.TCB 3,5X6,5 DIN 7981 F					
16	0360.025	MYLAR GUARD FOR ELECTRONICS					
17	9161.427.050	PROTECTION BRACKET					
18	NE17.002	ADH.CABLE RETAI.ROUND CABLE D=10MM					
19	0354.004.770	SILVER SERIGRAPHED ESCUTCHEON					
20	20000490	KIT PROGRAMMER SERKIT					
21	0347.816	DISPLAY FOR ROYAL REDESIGN					
22	11006458	SILVER ELECTRONICS SUPPORT ROYAL					
23	0347.015	ADHESIVE FOR PACKAGING					
24	0354.801	CPU/TOUCH PANEL CAPPUCINO STD 95	WITH ALUMINIUM BOILER				
	0354.807	CPU/TOUCH PANEL CAPPUCINO STD	WITH INOX BOILER				
	0354.806	CPU/TOUCH PANEL CAPPUCINO STD 95	(AUS) (BR) WITH ALUM. BOILER				
	0354.812	CPU/TOUCH PANEL CAPPUCINO ITA	(AUS) (BR) WITH INOX BOILER				
25	0348.801	WHOLE KEYBOARD DIGITAL PLUS					
26	184950400	FUSE T8 AMP.5X20 SAND-BLASTED					
26	184950300	FUSE T32 M.AMP.5X20 DELAYED					
27	149090500	DOUBLE SIDED ADHESIVE STRIP					
28	129913202	SCREW TCB TORX 10 3X8 PLAST.ZN-B					
29	0354.R01.77A	SPARES WHOLE ELECTRONICS	WITH ALUMINIUM BOILER				
	0354.R03.77A	SPARES WHOLE ELECTRONICS	WITH INOX BOILER				
	0354.R03.77Z	SPARES WHOLE ELECTRONICS					
30	0354.802.00A	POWER CARD CAPPUCINO 230V	WITH ALUMINIUM BOILER				
	0354.808.00A	POWER CARD CAPPUCINO 230V	WITH INOX BOILER				
	0354.808.00Z	POWER CARD CAPPUCINO 230V					
31	128310404	WASHER UNI 8842 A4 BURNISHED					
32	20007052	SPARES KIT GEARS FOR RATIOMOTOR RYL					
		UP TO S/N TV901202001267					



Saeco SUP016R
INTERNATIONAL GROUP

CE Cod.0354.00B.71C-00D.71C-0RC.71N-0CN.71X
Cod.0354.0BR.71Q-0AU.71L-Cod.10003574

POS	CODE	DESCRIPTION	NOTE	POS	CODE	DESCRIPTION	NOTE
01	9161.367.150	GREY COFFEE OUTLET SLEEVE					
02	9161.222	CONICAL SPRING					
03	9991.168	GLASS SPHERE D.5MM					
04	NM02.013	OR ORM 0080-15 TERMOIL					
05	9161.193.150	GREY COUNTERPISTON FOR COFFEE UNIT					
06	NM01.044	OR ORM 0320-40 IN SILICONE PTFE/FDA					
07	9161.067.150	GREY PLATE FOR UNIT COUPLING					
08	9161.070.150	GREY REAR PLATE FOR UNIT					
09	U140.019	PANELVIT TCB 3,0X16 DIN 7505 B SS					
10	227470150	PIN BLACK ASS.FOR PERCOLATOR					
	227470159	PIN GREY ASS.FOR PERCOLATOR					
11	NM02.006	OR R5 TERMOIL					
12	9161.064.150	GREY WATER INLET SLEEVE BREW UNIT					
13	NM02.007	OR 2025 TERMOIL					
14	0301.R04.150	SPARE SLEEVE UNIT GREY					
15	223740300	PERCOLATOR DE=35,8 ASSY.					
	9160.075	PERCOLATOR DE=35,8 ELFO ASSY.					
16	9161.195.150	GREY CONTAINER FOR UNIT ASSY.					
17	9161.066.150	ELBOW SHAFT FOR UNIT GREY					
18	9161.071.150	GREY FRONT PLATE FOR UNIT					
19	9161.094.150	GREY DRILLED BLOCK BREW UNIT					
20	9161.060.150	GREY SCRAPER FOR COFFEE UNIT					
21	U140.020	PANELVIT TCB 3,0X16 DIN 7505 B SS					
22	9161.306.150	GREY INTEGRAL PISTON ASSY.					
23	9161.198	PISTON SPRING BREW UNIT M5000					
24	9161.191	NEUTRAL PISTON BUSH BREW UNIT M5000					
25	NM02.018	OR ORM 0090-25 TERMOIL					
26	9161.343.150	INTERGRAL PISTON ASS.					
27	9161.065.150	CONNECTING ROD FOR UNIT GREY					
28	9161.123.150	GREY HOPPER FOR UNIT W/SILK SCREEN PRESS					
29	9161.046	SPRING FOR UNIT SCRAPER					
30	U109.026	SS.SCREW AUT.TCB 3,5X19 DIN 7981 C					
31	9161.045	SPRING FOR UNIT HANDGRIP					
32	9161.069.150	GREY HANDGRIP FOR COFFEE UNIT					
33	11003800	BLACK BREW UNIT MAGIC/ROYAL (SEE COD. EXP. E90048 NEXT PAGE) NOTE:FOR SINGLE PARTS OF OLD GRAY BREW UNIT: SEE THIS TABLE					



Saeco
INTERNATIONAL GROUP

GRUPPO CAFFE' MAGIC-ROYAL



Cod. 11003800

POS	CODICE	DESCRIZIONE	NOTE	POS	CODE	DESCRIPTION	NOTE
01	11003789	MANICOTTO USCITA CAF.GRUPPO ROYAL NERO		01	11003789	BLACK COFFEE OUTLET SLEEVE	
02	9161.222	MOLLA CONICA		02	9161.222	CONICAL SPRING	
03	9991.168	SFERA IN VETRO D.5 MM		03	9991.168	GLASS SPHERE D.5MM	
04	11021334	GUARN.DE=11 DI=8 SP=1,5 X CONTROPIST.NER		04	11021334	BLK COUNTERPISTON SEAL DE=11 DI=8 SP=1,5	
05	11003796	CONTROPISTONE X GRUPPO CAFFE' NERO		05	11003796	BLACK COUNTERPISTON FOR COFFEE UNIT	
06	NM01.044	OR ORM 0320-40 IN SILICONE PTFE/FDA		06	NM01.044	OR ORM 0320-40 IN SILICONE PTFE/FDA	
07	11004114	PIASTRINA X AGGANCIO GRUPPO CAFFE' NERO		07	11004114	BLACK PLATE FOR UNIT COUPLING	
08	11003792	PIASTRA POSTERIORE GRUPPO CAFFE' NERO		08	11003792	BLACK REAR PLATE FOR UNIT	
09	U140.019	VITE TCB 3X16 PLAST.INOX		09	U140.019	SCREW TCB TORX 10 3X16 PLAST SS	
10	227470150	AS.PERNO X DOCCIA COMPLETO NERO		10	227470150	PIN BLACK ASS.FOR PERCOLATOR	
11	NM02.006	OR R5 TERMOIL		11	NM02.006	OR R5 TERMOIL	
12	9161.064.050	MANICOTTO ENTRATA ACQUA GRUP.CAFFE.NERO		12	9161.064.050	BLACK WATER INLET SLEEVE BREW UNIT	
13	NM02.007	OR 2025 TERMOIL		13	NM02.007	OR 2025 TERMOIL	
14	20000440	GRUPPO RICAMBIO MANICOTTO NERO		14	20000440	BLACK SPARE SLEEVE UNIT	
15	9160.075	AS.DOCCIA DE=35,8 ELFO C/VITE E DADO		15	9160.075	PERCOLATOR DE=35,8 ELFO ASSY.	
16	11001556	MOLLA RASATORE H=49 X GRUPPO CAF.SMART		16	11001556	SPRING H=49 FOR COFFEE BREW UNIT SMART	
17	9161.094.050	BLOCCHETTO FORATO GRUP.CAFFE' PANERO		17	9161.094.050	BLACK DRILLED BLOCK BREW UNIT	
18	11004161	RASATORE X GRUPPO CAFFE' NERO		18	11004161	BLACK SCRAPER FOR COFFEE UNIT	
19	9161.066.050	ALBERO A GOMITO X GRUPPO NERO		19	9161.066.050	ELBOW SHAFT FOR UNIT BLACK	
20	11003793	PIASTRA ANTERIORE GRUPPO CAFFE' NERO		20	11003793	BLACK FRONT PLATE FOR UNIT	
21	12000550	VITE TCB 3X25 PLAST.INOX		21	12000550	SCREW TCB TORX 10 3X25 PLAST.SS	
22	11003077	AS.PISTONE INTEGRALE GRUP.P124 8GR.NERO		22	11003077	BLACK INTEGRAL PISTON UNIT P124 8GR.ASS	
23	9161.198	MOLLA PISTONE GRUPPO CAFFE' M5000		23	9161.198	PISTON SPRING BREW UNIT M5000	
24	9161.191	BOCCOLA PISTONE GRUP.CAFFE.M5000 NEUTRO		24	9161.191	NEUTRAL PISTON BUSH BREW UNIT M5000	
25	NM02.018	OR METRICO 0090-25 IN TERMOIL		25	NM02.018	OR ORM 0090-25 TERMOIL	
26	11003075	AS.CONT.CAF.C/BOCC.SALD.GRUPP124 8G.NER	CON PART.N°25	26	11003075	BLACK COFFEE CONTAINER BREW UNIT P124	WITH PART.N°25
27	11003078	BIELLA X GRUPPO P124 8GR.NERO		27	11003078	BLACK CONNECTING ROD FOR UNIT P124 8GR.	
28	11003795	TRAMOGGIA GRUPPO CAFFE' NERO SER.PRESS		28	11003795	BLACK HOPPER FOR UNIT W/SILKSCREEN PRESS	
29	9161.046	MOLLA X RASATORE GRUPPO		29	9161.046	SPRING FOR UNIT SCRAPER	
30	12000897	VITE TCB 3,5X20 PLAST.INOX		30	12000897	SCREW TCB TORX 10 3,5X20 PLAST.SS	
31	9161.045	MOLLA X IMPUGNATURA GRUPPO		31	9161.045	SPRING FOR UNIT HANDGRIP	
32	11003791	IMPUGNATURA X GRUPPO CAFFE' NERO		32	11003791	BLACK HANDGRIP FOR COFFEE UNIT	
33	129912521	VITE TCBR 3,5X14 PLAST.INOX		33	129912521	SCREW TCBR TORX 10 3,5X14 PLAST.SS	
34	11023086	AS.GEN.PISTONE INTEGR.GRUP.CAF.8GR.NER.		34	11023086	BLK 8GR.BREW UNIT NTEGR.PISTON GEN.ASSY.	
35	11003800	GRUPPO CAFFE' MAGIC/ROYAL NERO		35	11003800	BLACK BREW UNIT MAGIC/ROYAL	

Saeco
INTERNATIONAL GROUP

GRUPPO CAFFE' MAGIC-ROYAL NERO

Rev. 03 - 23/11/09

TAVOLA 1/1