

Other models in this range:  
 C 0322 - C 0522 - C 0530  
 C 0630 - C 0830 - C 1030  
 C 1448 - C 1848

## Prodigy® Cube Ice Machines up to 869 kg



### Features

Prodigy® cubers use **significantly less energy and water** than other cube ice machines, exceeding energy efficiency regulations.

**AutoAlert™ indicator lights** constantly communicate about operating status and actually signal your staff when it's time to descale, sanitize, and more - making upkeep practically foolproof.

The patented **WaterSense adaptive purge control** delivers maximum reliability by reducing scale buildup for a longer time between cleanings.

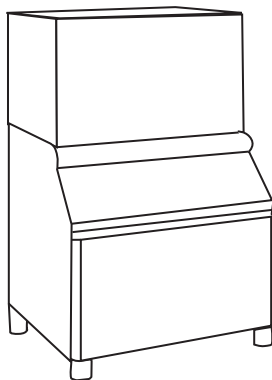
**Preventative maintenance is simpler** than ever with easily-removed panels allowing clear access to internal components and a diagnostic code display insuring the right fix the first time. Reusable air filter is easily removable from the outside.

All external panel components are crafted for **optimal aesthetic appeal** through superior fit and finish.

An optional **advanced feature Smart-Board™** provides additional operational data that can be displayed on-screen or transmitted remotely, resulting in early alert and fast diagnosis of operating issues.

An optional **Vari-Smart™ ultrasonic ice level control** sensor allows you flexibility to program ice levels, for up to 7 days, keeping just the right amount of freshly made ice in the bin.

### Matching Bins



SB 948

Other options available

### Technologies



		21°C : 10°C			32°C : 21°C		
		[kg]	[lb]	N°  *	[kg]	[lb]	N°  *
C 2148 MR		869	1912	86900	697	1533	69700
C 2148 SR		869	1912	173800	697	1533	139400

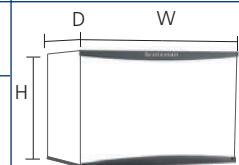
\*Estimate number of cubes.



[V/Hz/ph]  
220-240/50/1



R404A



[WxDxH mm]  
1219 x 610 x 737  
[WxDxH inches]  
48" x 24" x 29"

This product qualifies for the following listings:



5 g  
Small Cube  
22 x 22 x 9.5 mm  
7/8" x 7/8" x 3/8"



10 g  
Medium Cube  
22 x 22 x 22 mm  
7/8" x 7/8" x 7/8"

## 2 Years Warranty

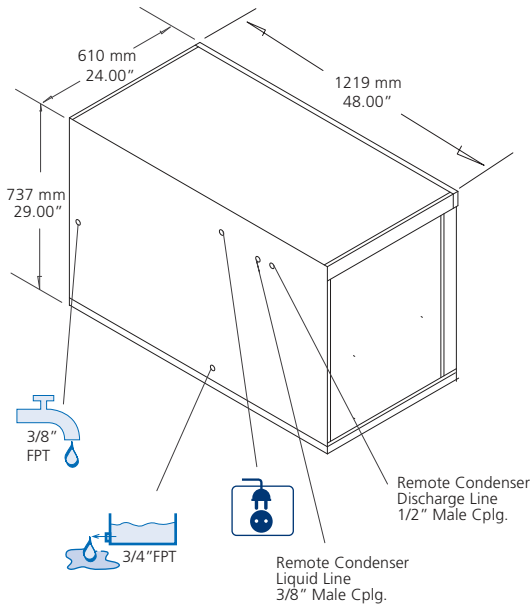
Subject to certain limitations and exclusions

Certified ISO 9001:2008

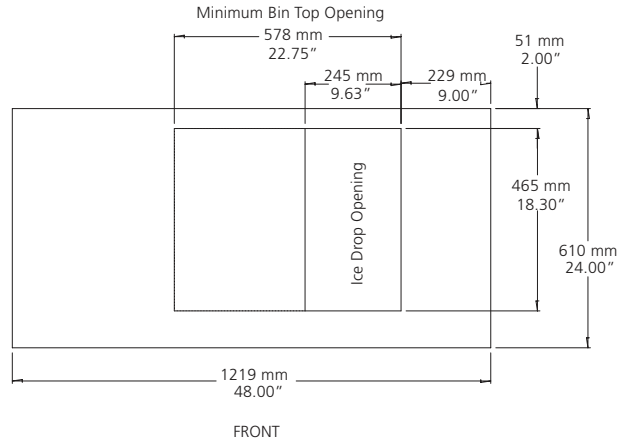
[www.scotsman-ice.it](http://www.scotsman-ice.it)  
[www.scotsman-ice.com](http://www.scotsman-ice.com)

Other models in this range:  
 C 0322 - C 0522 - C 0530  
 C 0630 - C 0830 - C 1030  
 C 1448 - C 1848

## Prodigy® Cube Ice Machines up to 869 kg



Installation note:  
 allow 152 mm space at left, back and right side for ventilation and utility connections.



48" Prodigy plan view

Minimum	Maximum
10°C (50°F)	40°C (100°F)
5°C (40°F)	35°C (95°F)
-10%	+10%
1 bar 14 psi	5 bar 70 psi

	[C°] [F°]	[Btu/h] [W]	[Ømm <sup>2</sup> ]	[W]	FUSE	[kWh] - 100 kg	[l/h] [gal/h]	[kg] [lb]	[kg] [lb]	
C 2148 MR	+	31600 9250	3 x 2,5	3450	50 A	8,8	38,5 10	150 330	168 370	
C 2148 SR	-	31600 9250	3 x 2,5	3450	50 A	8,8	38,5 10	150 330	168 370	

**IMPORTANT NOTICE:**  
 Models and specifications are subject to change without notice.  
 This spec sheet is meant for commercial purpose only.  
 For technical documentation please refer to our service manuals.

[www.scotsman-ice.it](http://www.scotsman-ice.it)  
[www.scotsman-ice.com](http://www.scotsman-ice.com)

**Scotsman®**  
 Ice Systems

Milano Madrid Chicago Dubai Singapore Shanghai Johannesburg