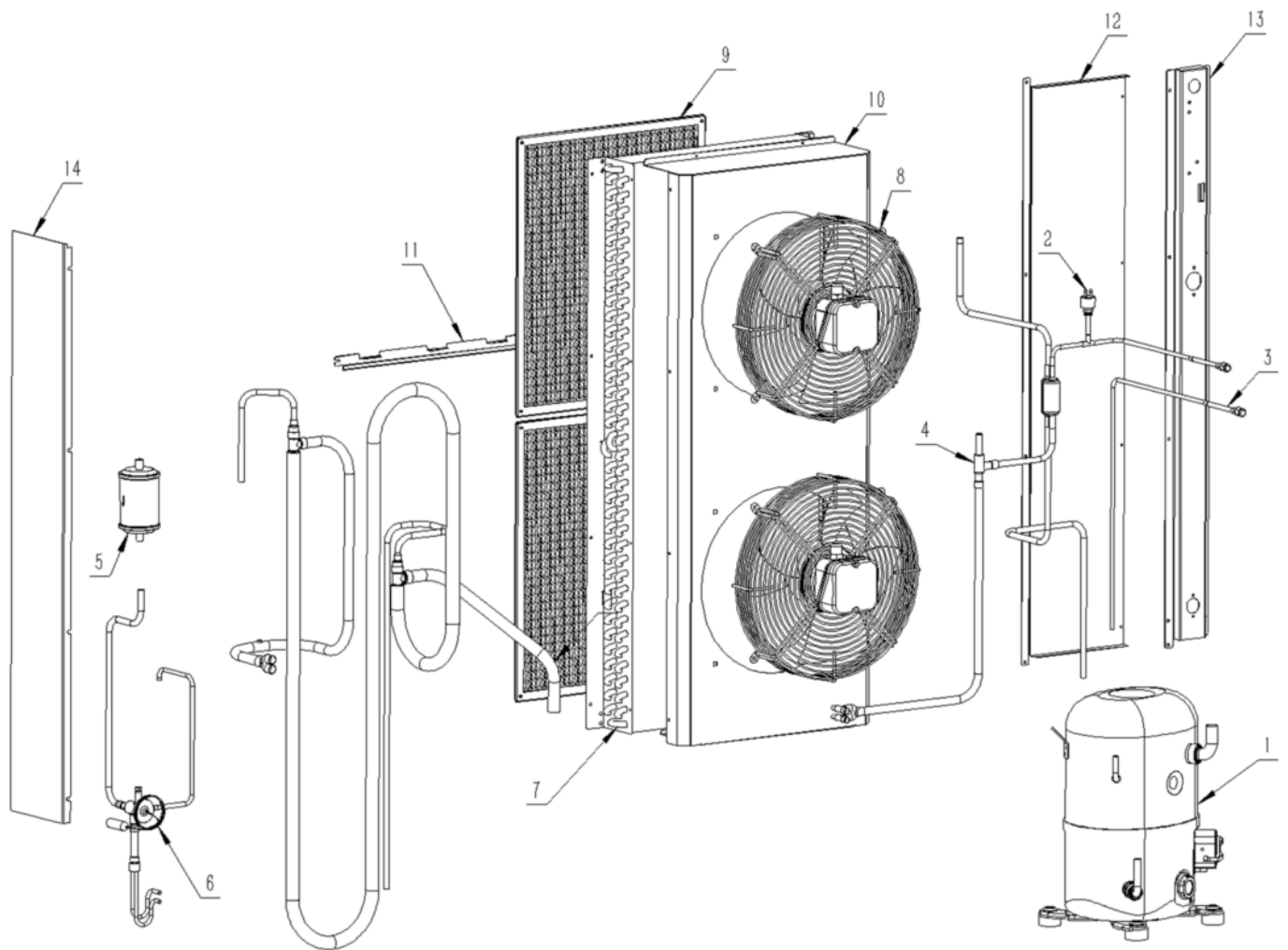
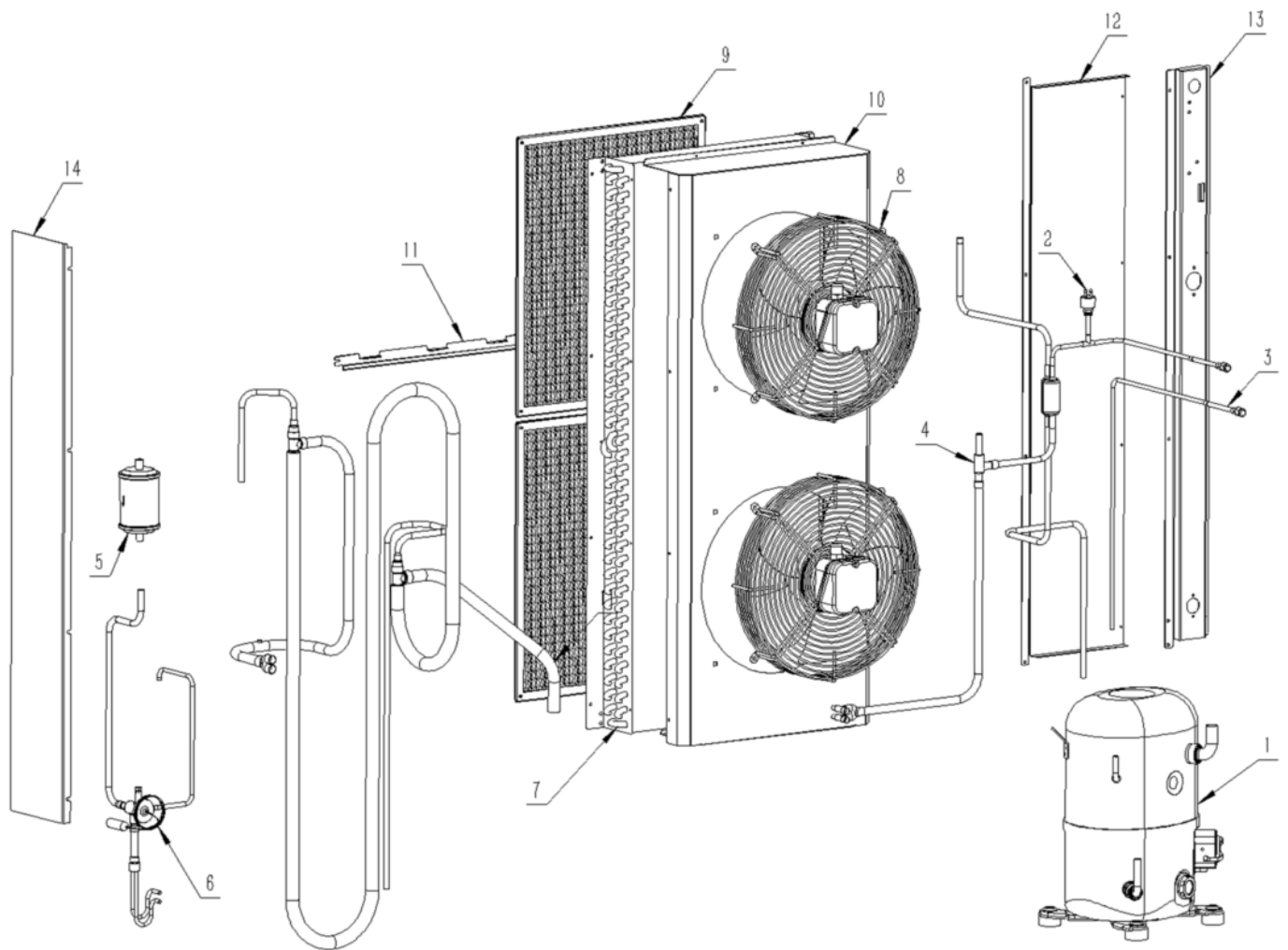


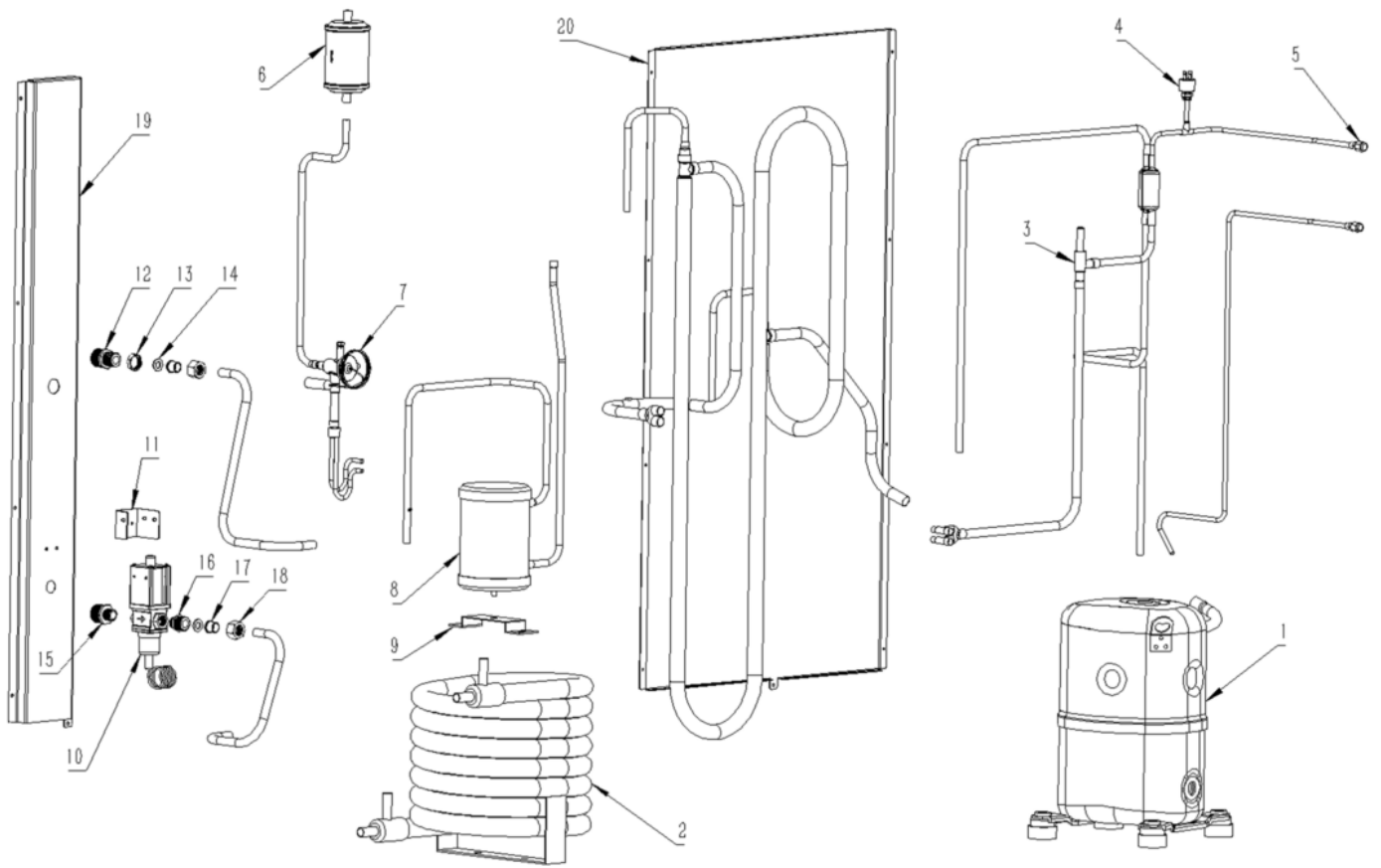
Pos	Code	Description
0003	SCSC 25161146-00	TOP PANEL
0004	SCSC 11000458-00	LEFT SIDE PANEL
0005	SCSC 11000459-00	RIGHT SIDE PANEL
0006	SCSC 41000038-01	PLASTIC SHUTTER
0007	SCSC 11000179-00	FRAME
0010	SCSC 41000008-00	LED CARD HOLDER
0011	SCSC 98020201-02	MONITORING LED LABEL - NW series



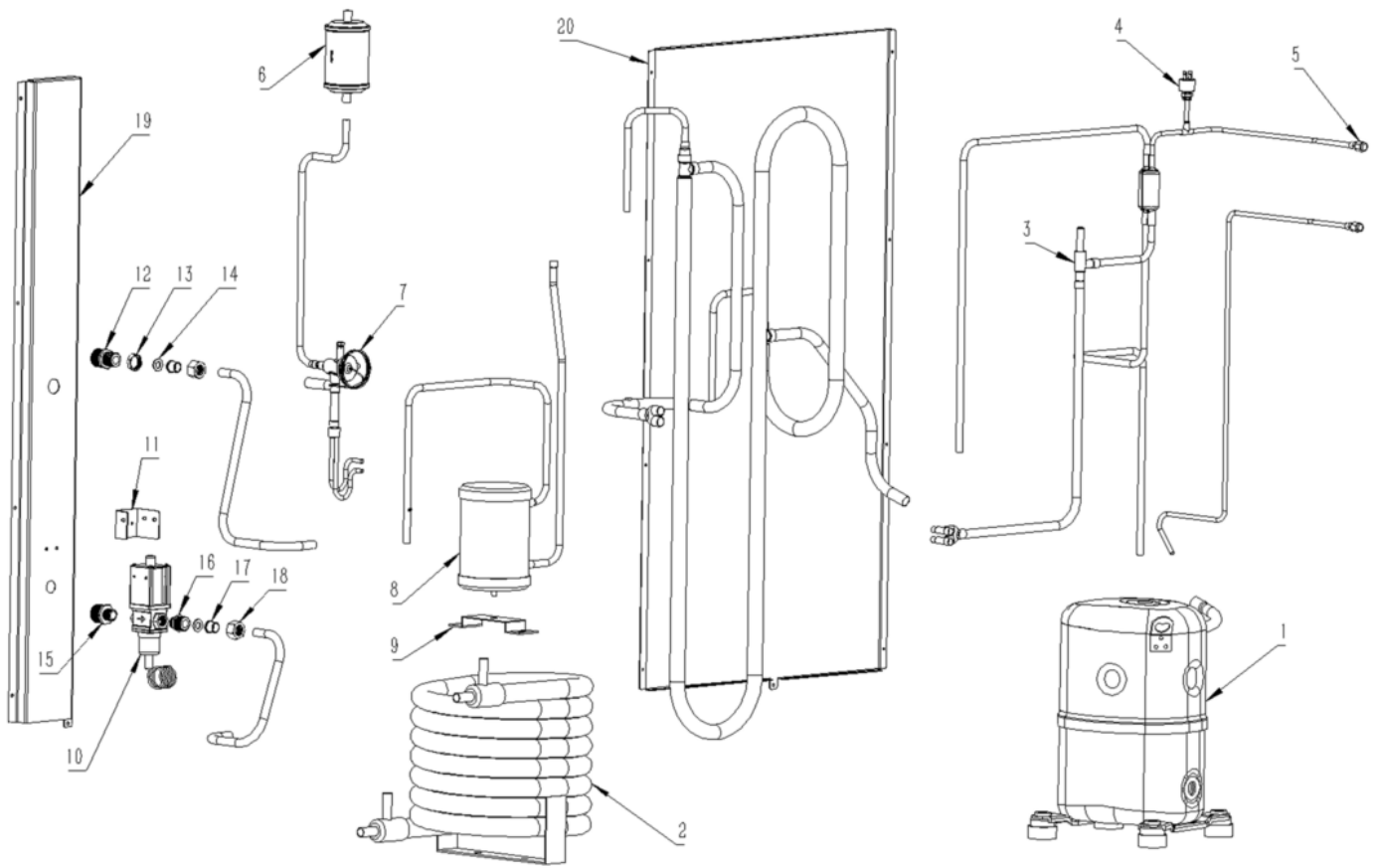
Pos	Code	Description
0001	SCSC 30000087-00	COMPRESSOR ELECTRIC BOX 230/50/1
0001	SCSC 81000118-00	COMPRESSOR - 230/50/1
0001	SCSC 81000124-99	COMPRESSOR
0002	SCCM 19550628	HIGH PRESSURE SAFETY SWIT
0003	SC650106 00	CAP
0003	SC650109 00	VALVE BODY
0003	SC670012 00	VALVE CORE
0004	SCSC 97000146-00	HOT GAS VALVE
0005	SCCM 19300355	DRIER
0006	SCSC 81000048-00	TXV
0007	SCSC 81000045-00	CONDENSER
0008	SCSC 80000013-00	FAN MOTOR - 230/50-60
0009	SCSC 80000014-00	AIR FILTER
0011	SCSC 11000255-00	AIR FILTER SEAT
0013	SCSC 11000197-00	METAL BRACKET FOR FITTING



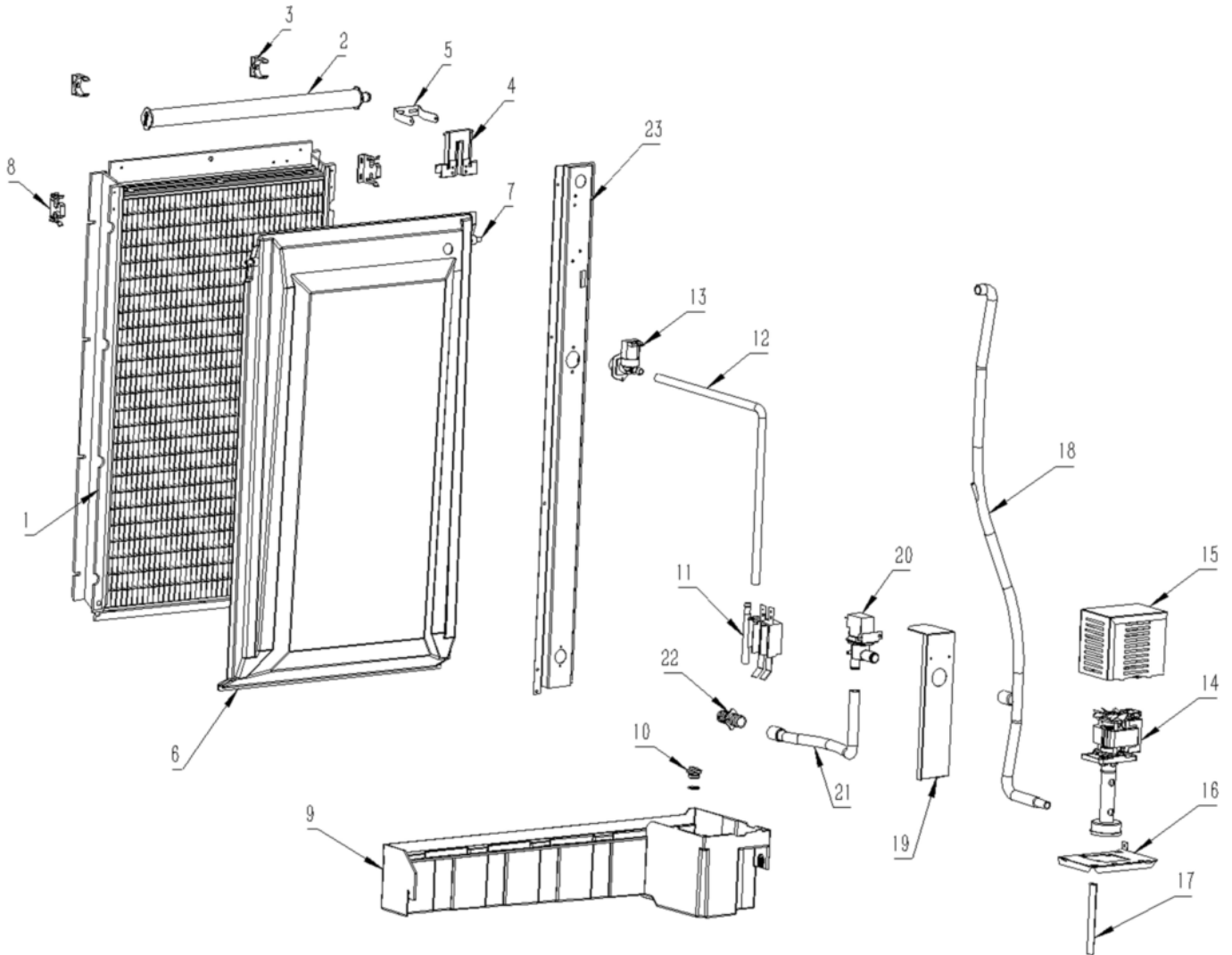
Pos	Code	Description
0001	SCSC 30000087-00	COMPRESSOR ELECTRIC BOX 230/50/1
0001	SCSC 81000118-00	COMPRESSOR - 230/50/1
0001	SCSC 81000124-99	COMPRESSOR
0002	SCCM 19550628	HIGH PRESSURE SAFETY SWIT
0003	SC650106 00	CAP
0003	SC650109 00	VALVE BODY
0003	SC670012 00	VALVE CORE
0004	SCSC 81000218-00	HOT GAS VALVE
0005	SCCM 19300355	DRIER
0006	SCSC 81000048-00	TXV
0007	SCSC 81000045-00	CONDENSER
0008	SCSC 80000013-00	FAN MOTOR - 230/50-60
0009	SCSC 80000014-00	AIR FILTER
0011	SCSC 11000255-00	AIR FILTER SEAT
0013	SCSC 11000197-00	METAL BRACKET FOR FITTING



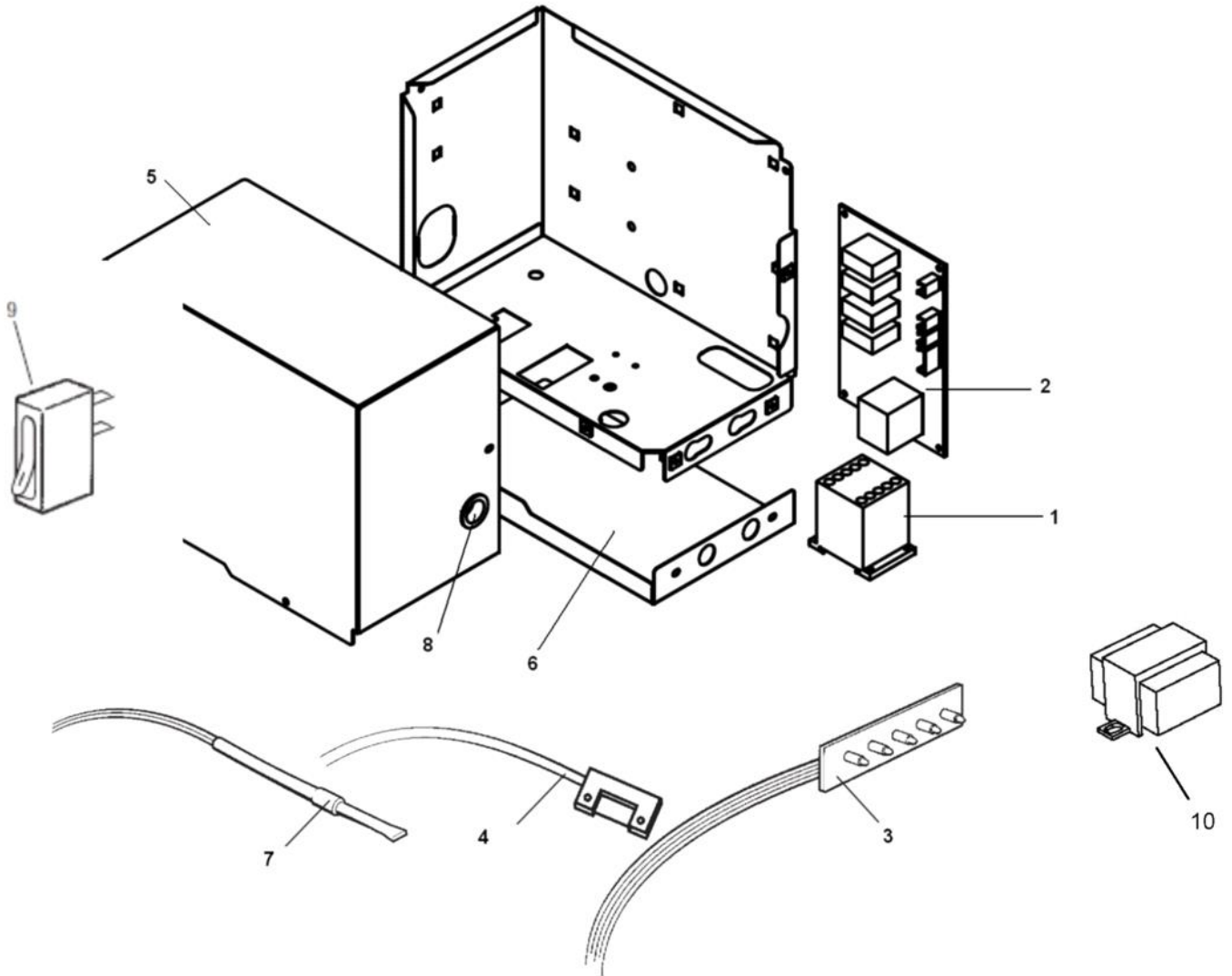
Pos	Code	Description
0001	SCSC 30000087-00	COMPRESSOR ELECTRIC BOX 230/50/1
0001	SCSC 81000118-00	COMPRESSOR - 230/50/1
0001	SCSC 81000124-99	COMPRESSOR
0002	SCSC 81000119-00	WATER CONDENSER
0003	SCSC 97000146-00	HOT GAS VALVE
0004	SCCM 19550628	HIGH PRESSURE SAFETY SWIT
0005	SC650106 00	CAP
0005	SC650109 00	VALVE BODY
0005	SC670012 00	VALVE CORE
0006	SCCM 19300355	DRIER
0007	SCSC 81000048-00	TXV
0010	SCSC 81000006-00	WATER REGULATING VALVE
0011	SCSC 11000050-00	METAL SUPPORT



Pos	Code	Description
0001	SCSC 3000087-00	COMPRESSOR ELECTRIC BOX 230/50/1
0001	SCSC 81000118-00	COMPRESSOR - 230/50/1
0001	SCSC 81000124-99	COMPRESSOR
0002	SCSC 81000119-00	WATER CONDENSER
0003	SCSC 81000218-00	HOT GAS VALVE
0004	SCCM 19550628	HIGH PRESSURE SAFETY SWIT
0005	SC650106 00	CAP
0005	SC650109 00	VALVE BODY
0005	SC670012 00	VALVE CORE
0006	SCCM 19300355	DRIER
0007	SCSC 81000048-00	TXV
0010	SCSC 81000006-00	WATER REGULATING VALVE
0011	SCSC 11000050-00	METAL SUPPORT



Pos	Code	Description
0001	SCSC 93000037-10	EVAPORATOR ASSY - LARGE CUBES
0001	SCSC 93000037-11	EVAPORATOR ASSY - DICE CUBE
0001	SCSC 93000037-12	EVAPORATOR ASSY - HALF DICE
0002	SCSC 94000052-00	WATER DISTRIBUTOR 458-1408
0003	SCSC 41000017-00	CLAMP
0004	SCSC 98050106-00	ICE THICKNESS SENSOR
0005	SCSC 25725450-00	BRACKET
0006	SCSC 41000066-00	DEFLECTOR COVER
0007	SCSC 25560133-00	PIN
0008	SCSC 25726473-00	ICE DEFLECTOR BRACKET
0009	SCSC 41000004-00	WATER SUMP 30
0010	SCSC 41000005-00	DRAIN PLUG
0010	SCSC 87000001-00	O RING
0011	SCSC 98050107-00	WATER LEVEL SENSOR
0012	SCSC 22000012-00	WATER INLET TUBE
0013	SC650105 00	SOLENOID
0014	SC620433 00	USE SC620433 08R
0014	SC620433 01	WATER PUMP - 230/60/1
0015	SCSC 91000015-00	WATER PUMP COVER
0016	SCSC 11000058-00	WATER PUMP BRACKET
0017	SCSC 11000062-00	GROUND METAL PIN
0018	SCSC 22000015-00	WATER TUBE
0019	SCSC 11000253-00	BRACKET
0020	SC11000564 02	USE SCSC 82000017-99
0021	SCSC 22000016-00	TUBE
0022	SCSC 41000007-00	WATER DRAIN FITTING
0023	SCSC 11000197-00	METAL BRACKET FOR FITTING



Pos	Code	Description
0001	SCSC 30000033-00	CONTACTOR
0002	SCSC 98050101-00	PC BOARD - 230/50-60/1
0003	SCSC 98050105-00	MONITORING LED ASSY
0004	SCSC 98050103-00	MAGNET SWITCH
0005	SCSC 11000015-00	CONTROL BOX COVER
0006	SCSC 11000016-00	METAL PLATE
0007	SCSC 30000068-00	CONDENSER SENSOR
0008	SCSC 99200205-00	SNAP BUSHING
0009	SCSC 98050108-00	START DELAY SWITCH
0010	SCSC 99020404-00	TRANSFORMER