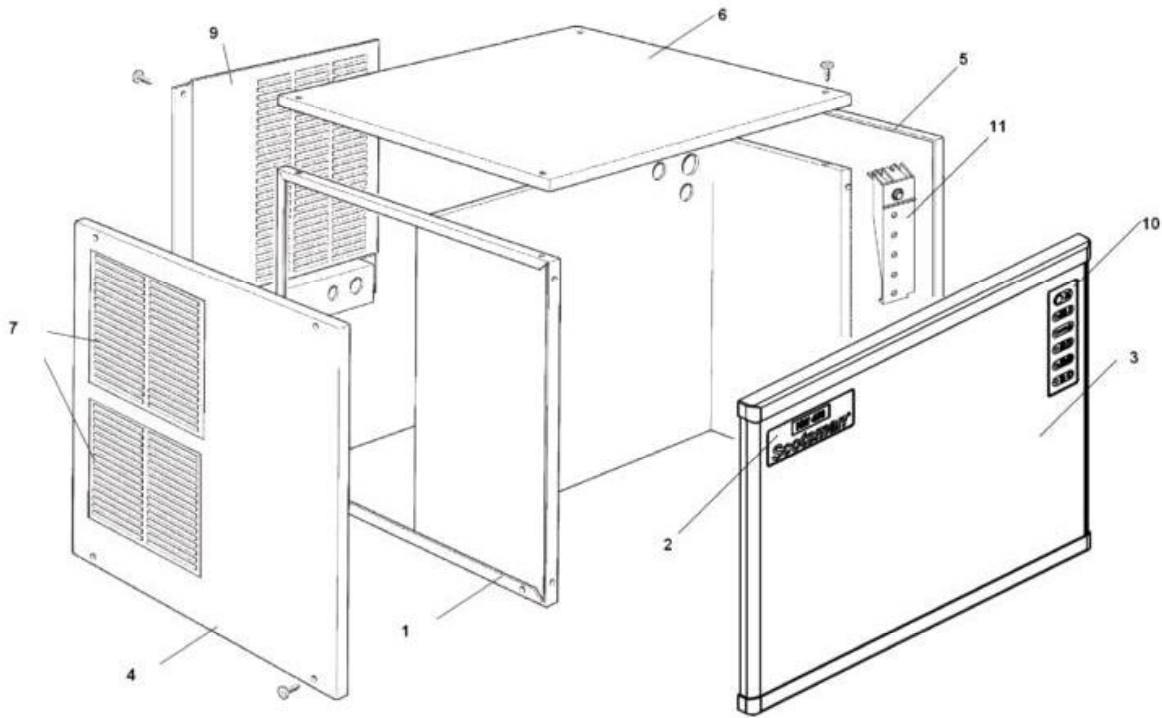
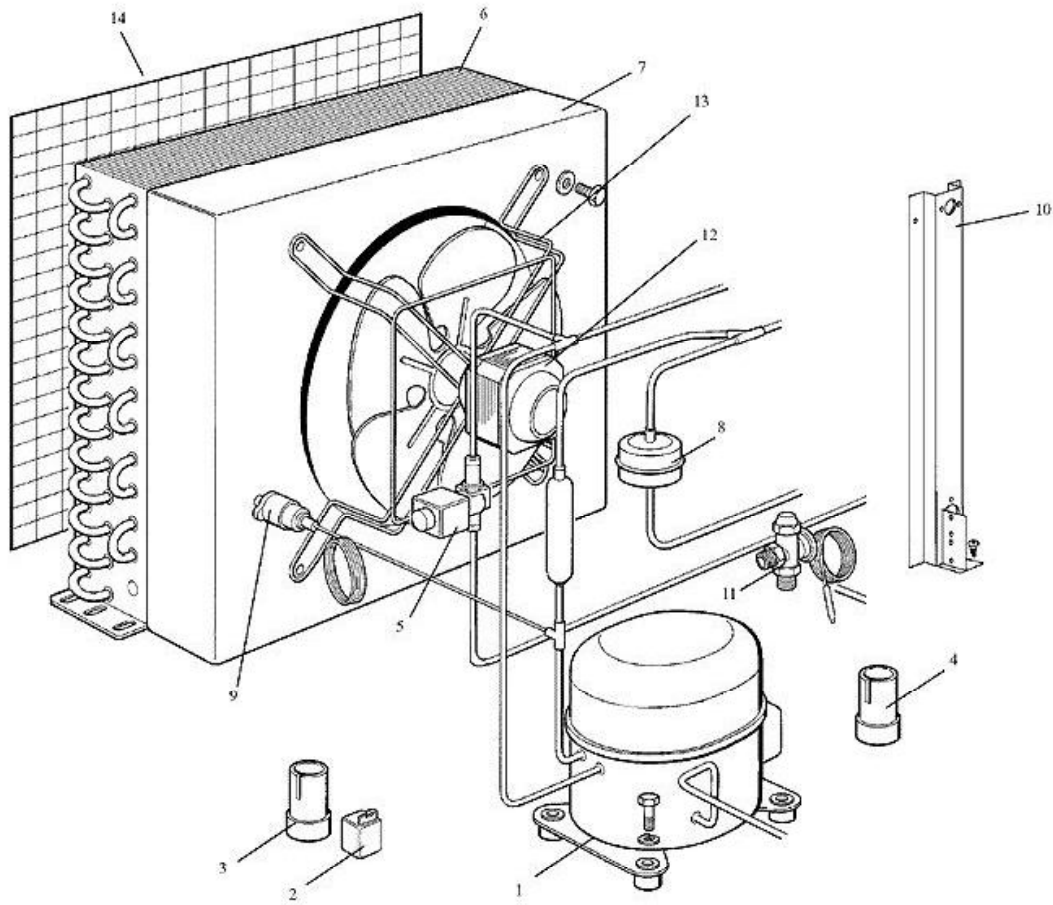


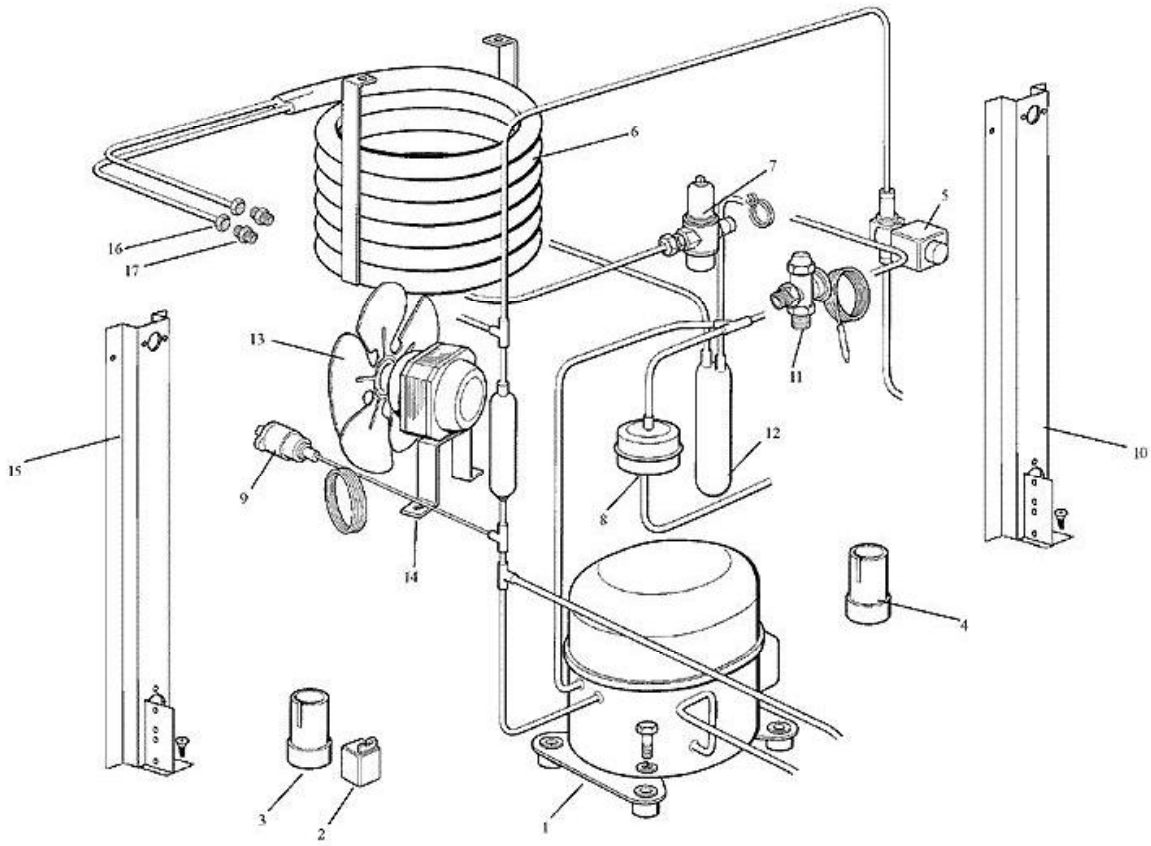
- 1 CABINET ASSY
- 2 REFRIGERANT SYSTEM AIR COOLED
- 3 REFRIGERANT SYSTEM WATER COOLED
- 4 ICE MAKING SYSTEM – UP TO S.N. 01948
- 5 ICE MAKING SYSTEM – FROM S.N. 01949 TO S.N. 02013
- 6 ICE MAKING SYSTEM – FROM S.N. 02014
- 7 P.C. BOARD AND SENSORS ASSY – UP TO S.N. 02013
- 8 P.C. BOARD AND SENSORS ASSY – FROM S.N. 02014



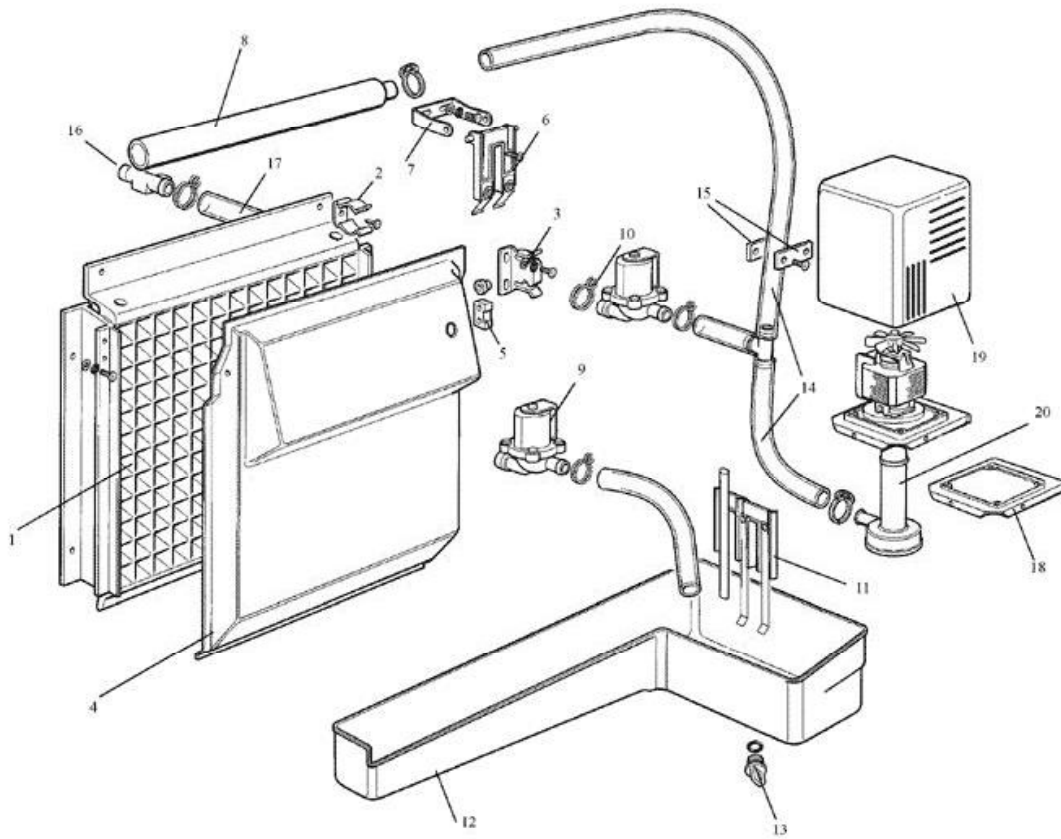
Pos	Code	Description
0001	SC 81454011	UNIT FRAME
0002	SC 98020101	LABEL NW 458
0003	SC 98030101	FRONT PANEL
0004	CM 25330790	PANEL, LEFT SIDE
0005	CM 25330788	PANEL, RIGHT SIDE
0006	CM 81453600	PANEL, TOP
0007	CM 28295030	GRILL PLASTIC
0009	CM 25550771	PANEL, REAR - AIR COOLED
0009	CM 25550781	PANEL, REAR - WATER COOLED
0010	SC 98020201	MONITORING PANEL LABEL
0011	SC 41000008	LED HOLDER



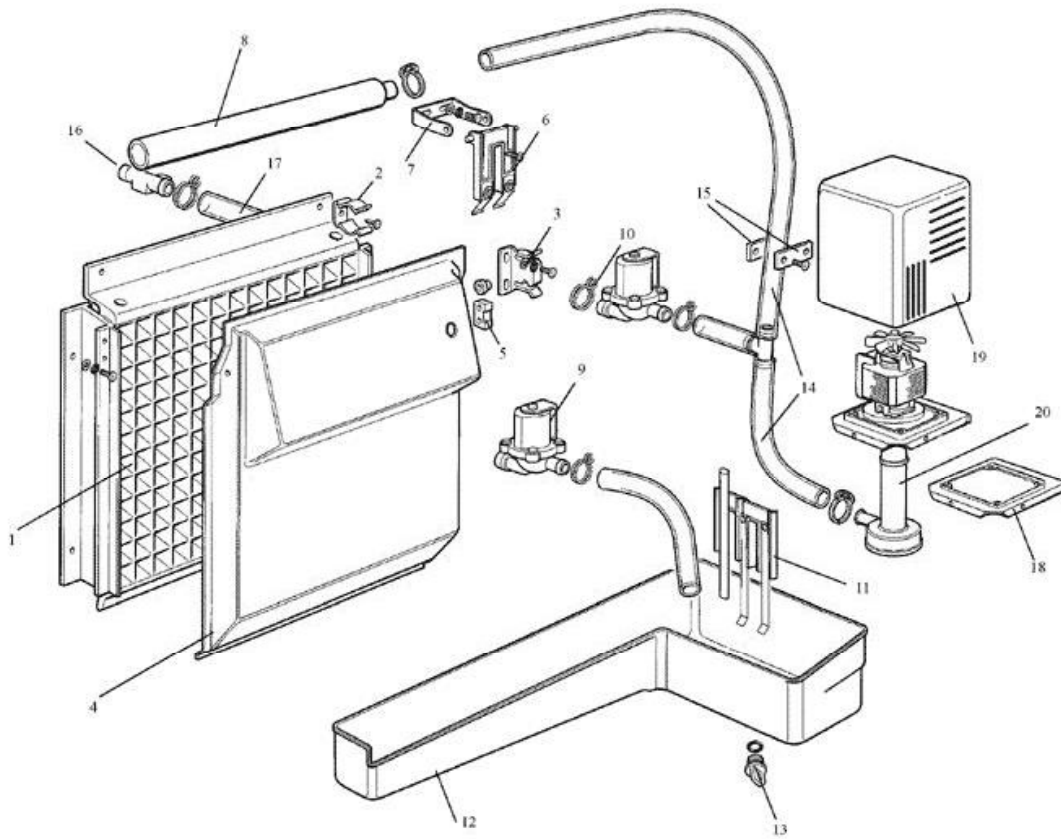
Pos	Code	Description
0001	620058 78	PROTECTOR MST 000ALKD
0001	620478 04	PROTECTOR - 230/60
0001	670099 04	COMPRESSOR - 230/50/1
0001	670099 09	COMPRESSOR 230/60/1
0002	620057 46	RELAY - 230/50
0002	620057 50	RELAY - 230/60
0003	620167 00	START CAPACITOR 88-108MFD/330V
0004	620167 21	CAPACITOR - 15 MFD/400V
0005	CM 19863034	HOT GAS VALVE ASSY
0005	SP 1124012	HOT GAS VALVE COIL - 230/50-60
0006	CM 19177073-01	AIR COOLED CONDENSER
0007	CM 25168795	CONDENSER SHROUD
0008	CM 19300357	FILTER
0009	CM 19550628	HI PRESSURE SAFETY SWITCH
0010	CM 25725530	METAL BRACKET
0011	CM 19870310	
0012	620419 07	FAN MOTOR - 230/50-60
0012	620419 63	BRACKET
0013	620419 37	FAN BLADE
0013	CM 25726513	FAN BRACKET
0014	CM 25339006	FILTER



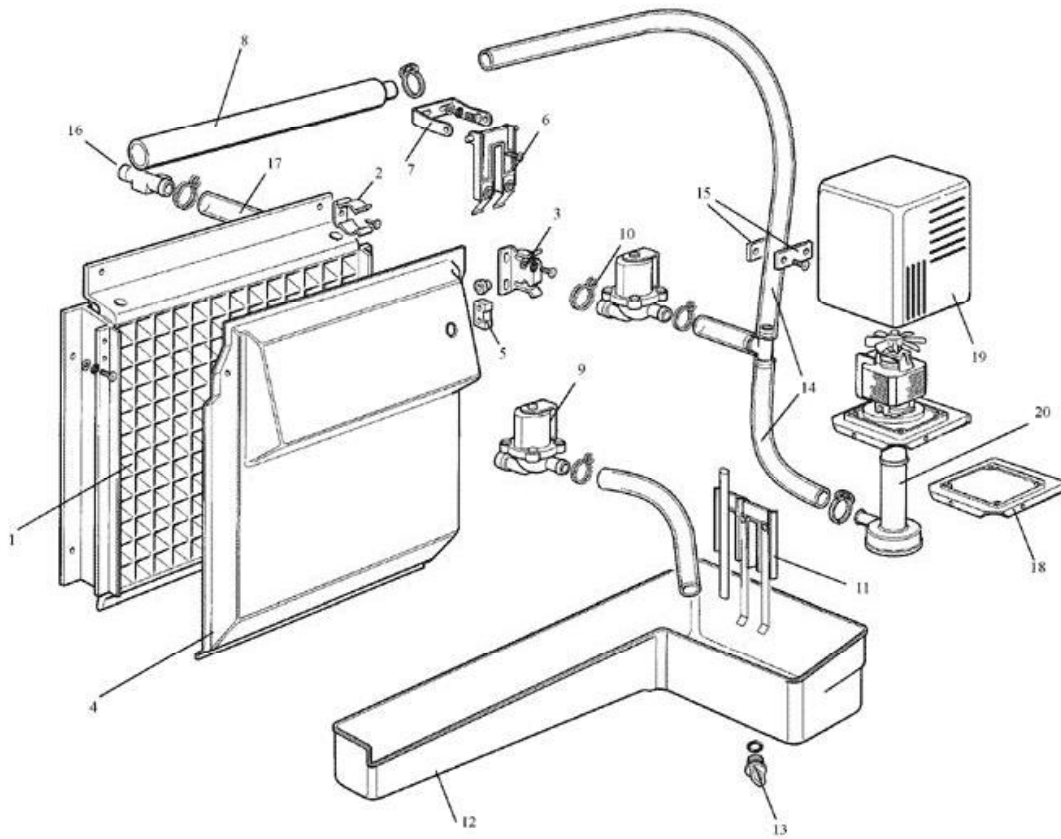
Pos	Code	Description
0001	620058 78	PROTECTOR MST 000ALKD
0001	620478 04	PROTECTOR - 230/60
0001	670099 04	COMPRESSOR - 230/50/1
0001	670099 09	COMPRESSOR 230/60/1
0002	620057 46	RELAY - 230/50
0002	620057 50	RELAY - 230/60
0003	620167 00	START CAPACITOR 88-108MFD/330V
0004	620167 21	CAPACITOR - 15 MFD/400V
0005	CM 19863034	HOT GAS VALVE ASSY
0005	SP 1124012	HOT GAS VALVE COIL - 230/50-60
0006	SC 81000003	WATER COOLED CONDENSER
0007	620111 00	WATER REGUL. VALVE
0008	CM 19300357	FILTER
0009	CM 19550628	HI PRESSURE SAFETY SWITCH
0010	CM 25725530	METAL BRACKET
0011	CM 19870310	
0015	SC 11000051	METAL BRACKET RIGHT
0016	SC 94000011	WATER INLET FITTING KIT
0017	SC 94000012	WATER OUTLET FITTINGS KIT



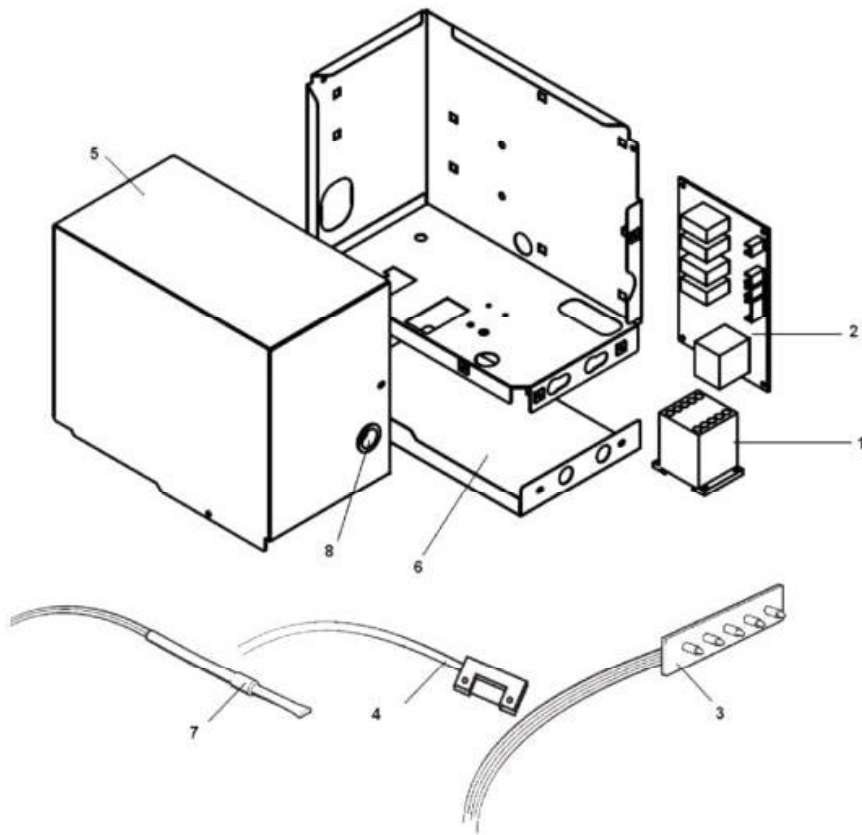
Pos	Code	Description
0001	CM 81454000	EVAPORATOR - DICE
0001	CM 81454003	EVAPORATOR - HD
0002	CM 25474608	METAL CLIP
0003	CM 25726473	DEFLECTOR BRACKET
0004	CM 81453630	DEFLECTOR COVER
0005	CM 19355007	MAGNET
0006	CM 81453434	SENSOR, ICE THICKNESS
0007	CM 25725450	SENSOR SYST. BRKT
0008	CM 81453575	SPRAY TUBE
0009	650105 54	INLET VALVE - 230/50 - 60
0010	11000564 02	PURGE VALVE
0011	CM 81453796	SENSOR, WATER LEVEL
0012	CM 19950006	THUMB SCREW
0012	CM 25820125	WATER SUMP
0013	CM 25730503	DRAIN PLUG
0013	CM 41020448	GASKET
0014	SC 81454805	WATER TUBE
0015	CM 81453015	WATER FLOW ADJUSTER ASSY
0016	CM 25690807	DRAIN FITTING, WATER
0017	SC 25792106	TUBE
0018	CM 25725531	BRACKET, PUMP
0019	CM 81453627	WATER PUMP COVER
0020	620433 00	WATER PUMP 230/50
0020	620433 01	WATER PUMP 230/60



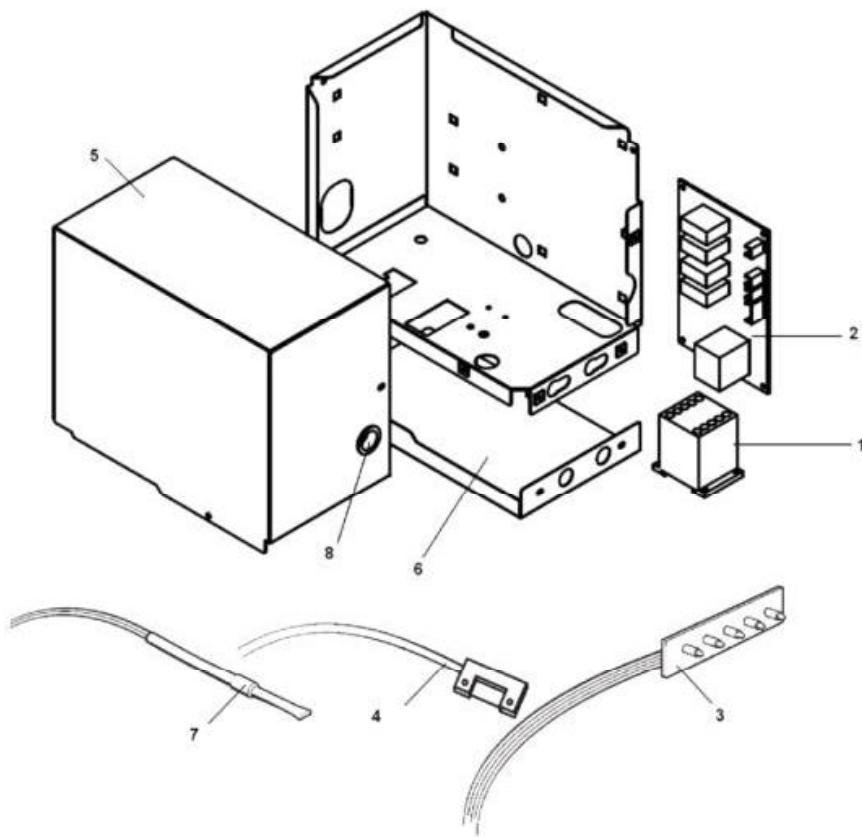
Pos	Code	Description
0001	CM 81454000	EVAPORATOR - DICE
0001	CM 81454003	EVAPORATOR - HD
0002	CM 25474608	METAL CLIP
0003	CM 25726473	DEFLECTOR BRACKET
0004	CM 81453630	DEFLECTOR COVER
0005	CM 19355007	MAGNET
0006	CM 81453434	SENSOR, ICE THICKNESS
0007	CM 25725450	SENSOR SYST. BRKT
0008	CM 81453575	SPRAY TUBE
0009	650105 54	INLET VALVE - 230/50 - 60
0010	11000564 02	PURGE VALVE
0011	CM 81453796	SENSOR, WATER LEVEL
0012	CM 19950006	THUMB SCREW
0012	SC 41000004	WATER SUMP
0013	SC 41000005	DRAIN PLUG
0013	SC 87000001	O RING
0014	SC 81454805	WATER TUBE
0015	CM 81453015	WATER FLOW ADJUSTER ASSY
0016	CM 25690807	DRAIN FITTING, WATER
0017	SC 25792106	TUBE
0018	SC 11000058	BRACKET, PUMP
0019	SC 91000015	WATER PUMP COVER
0020	620433 00	WATER PUMP 230/50
0020	620433 01	WATER PUMP 230/60



Pos	Code	Description
0001	CM 81454000	EVAPORATOR - DICE
0001	CM 81454003	EVAPORATOR - HD
0002	CM 25474608	METAL CLIP
0003	CM 25726473	DEFLECTOR BRACKET
0004	CM 81453630	DEFLECTOR COVER
0005	11000563 02	MAGNET
0006	SC 98050106	ICE THICKNESS SENSOR
0007	CM 25725450	SENSOR SYST. BRKT
0008	CM 81453575	SPRAY TUBE
0009	650105 54	INLET VALVE - 230/50 - 60
0010	11000564 02	PURGE VALVE
0011	SC 98050107	WATER LEVEL SENSOR
0012	CM 19950006	THUMB SCREW
0012	SC 41000004	WATER SUMP
0013	SC 41000005	DRAIN PLUG
0013	SC 87000001	O RING
0014	SC 81454805	WATER TUBE
0015	CM 81453015	WATER FLOW ADJUSTER ASSY
0016	CM 25690807	DRAIN FITTING, WATER
0017	SC 25792106	TUBE
0018	SC 11000058	BRACKET, PUMP
0019	SC 91000015	WATER PUMP COVER
0020	620433 00	WATER PUMP 230/50
0020	620433 01	WATER PUMP 230/60



Pos	Code	Description
0001	630119 00	CONTACTOR
0002	CM 33580250	CONTROLLER
0003	CM 33580151	MONITOR PANEL
0004	CM 33210019	MAGNET SWITCH
0005	SC 98010601	CONTROL BOX COVER
0006	SC 98010701	COVER
0007	CM 33580101	CONDENSER SENSOR
0008	SC 99200205	SNAP BUSHING



Pos	Code	Description
0001	630119 00	CONTACTOR
0002	SC 98050101	PC BOARD
0002	SC 99020404	TRANSFORMER
0003	SC 98050105	MONITORING LED ASSY
0004	SC 98050103	MAGNET SWITCH
0005	SC 98010601	CONTROL BOX COVER
0006	SC 98010701	COVER
0007	SC 99020468	CONDENSER SENSOR
0008	SC 99200205	SNAP BUSHING