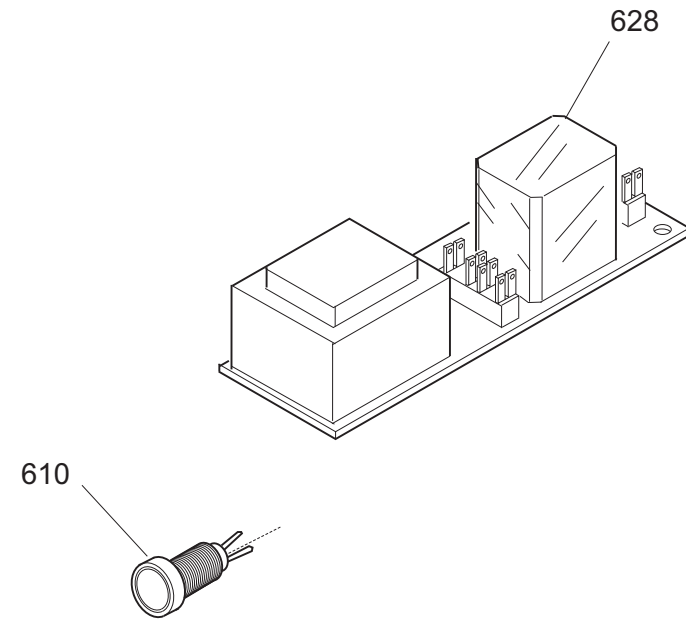
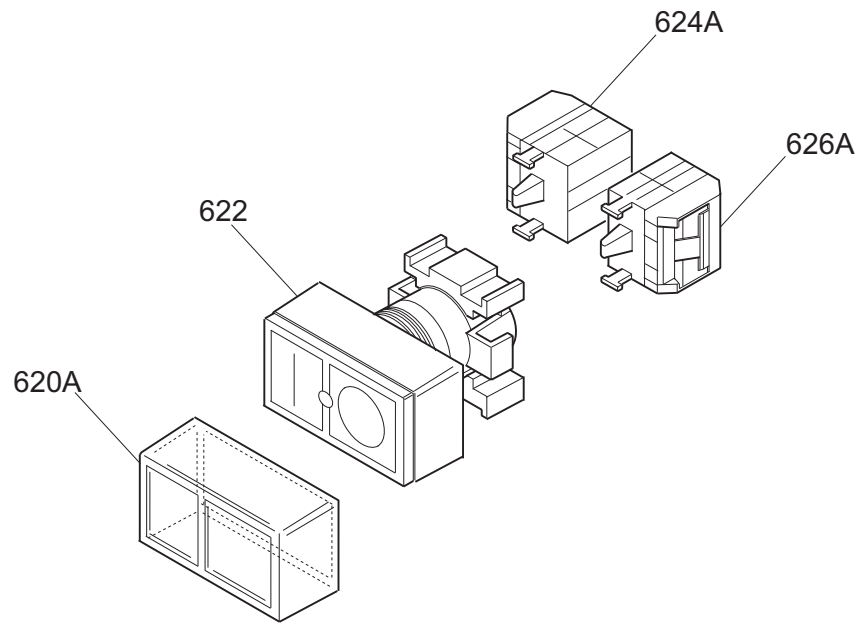
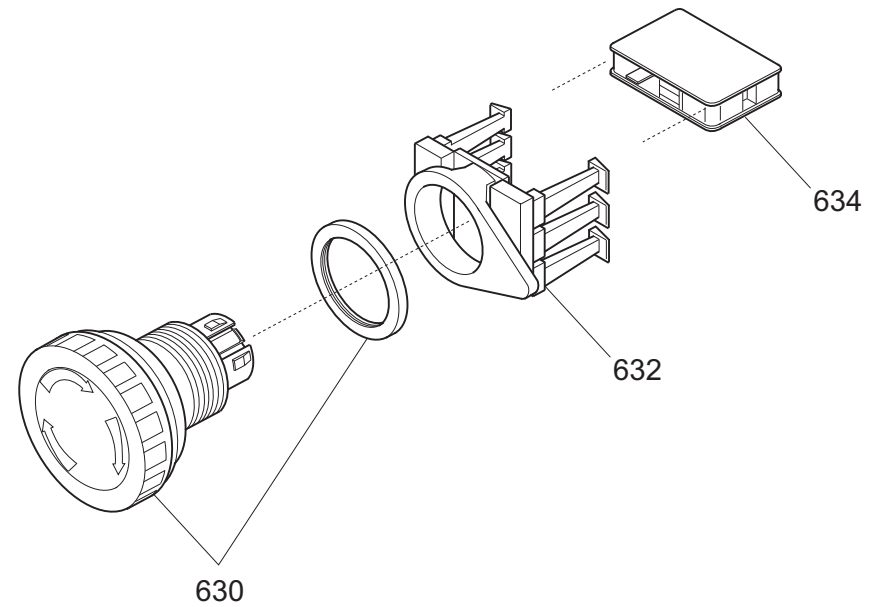
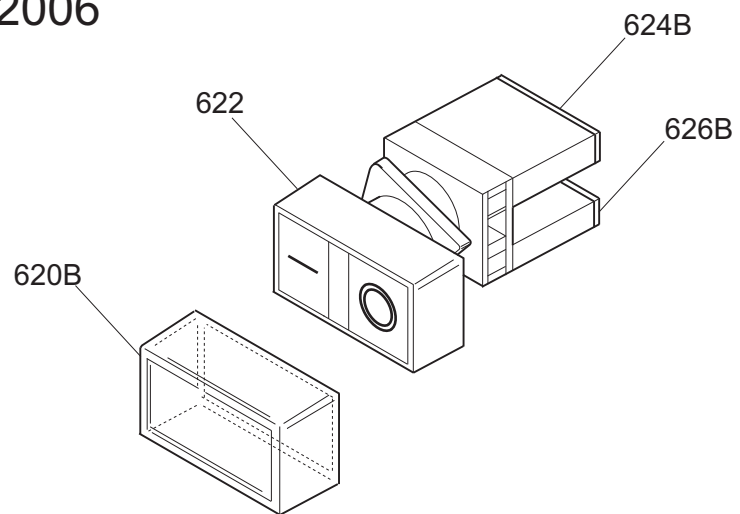


Until 2005



From 2006



Mirra 250 C AF (Until June 2006) - Page 1

Ref.	Product name	Code
2	BASE/FRAME FOR SLICER MIRRA 220-250	19510101/01
4	FOOT M5 FOR SLICER/CUTTER	19560201
6	BLADE GUARD CE 250 FRoM 09	19510250.09
12	FLATHEAD CSK SCREW DIN 963 M5 X 14	IX2963005014
14B	HEX LOCK NUT MIRRA 250C FROM 2010	19530911
14A	LOCK NUT CNV (MRR)	19530901.1
15	RING PIN _ MIRRA 250 C	19534082
16	BLADE 250 - 40/3/210 CE	18250403210F
16T	BLADE 250 40/3/210 TEFLON CE	18250403210TF
18	BLADE RING GUARD _ MIRRA 250 C	19513002/01
20	SCREW POELIERS M 5X12	IX2POEL005012
22A	BLADE SHAFT _ MIRRA 220-300	19700332
22B	PULEG.PRES.MONT.MRR."AF"220-300 Y10	19700340AF.10
24	BELT TB2 345 X 8 _ MIRRA	19310201
26	GRUB SCREW DIN 916 M 5X8 NE	NE0916005008
28	MICROSWITCH HOLDING RING _ MIRRA	19540901
30	VITE SENZA TESTA DIN 913 M 6X08 CE	IX2913006008
32	BLADE COVER TIE ROD MIRRA 220-250	19530532
34B	TIE ROD KNOB M 6 BLUE _ MIRRA	19564016
34A	TIE ROD KNOB M6X5 FOR MIRRA	19562502
36	S/S SLICE DEFLECTOR MIRRA 250 C	19531005/01
38	DEFLECTOR SCREW M5 _ MIRRA	19335014
40	VELA MRR.250 STAMP.CE DAL 09 OSS.	195103025C.09
48	SUPPORT CAP _ MIRRA 220-300	19560132
52	HEX.NUT DIN 934 M 6	IX2934006
54	FIXING SCREW _ MIRRA 220-250	19335060
56	WASHER LARGE DIN 9021 D 6X18	IX29021006018
58	THICK.PLATE SUPPORT _ MIRRA 220-250 C	19510701/01
62	LARGE WASHER	19563002
64	THICKNESS PLATE SLIDE _ MIRRA	19500101/01
65	MOVEMENT HEAD D85XHT2 FOR SLICER	19563201
66	SLIDE GUIDE _ MIRRA	19540601
68	GRUB SCREW DIN 916 M 6X10 NE	NE0916006010
70	HEX.SCREW DIN 933 M5 X 12	IX2933005012
74	SPRING PIN _ MIRRA 220/50	19531360
78	SLIDE SPRING _ MIRRA 220-250	19390201/02
80	PLATE SLIDE PIN D12X1225 _ MIRRA	19530701
82	BRASS STUD BOLT 6X25	19337002
84	HEX.NUT DIN 934 M 6	IX2934006
86	FLAT WASHER DIN 125 D 6	IX2125006
88	LOW HEX.NUT DIN 439 M 6	IX2439006
90	CAM PIN FOR MIRRA	19336062/01
92	CAM FOR MIRRA 220/275/300	19563505LG
94	GRUB SCREW DIN 916 M 5X8 NE	NE0916005008
95	PLASTIC WASHER FOR CAM _ MIRRA	19563275
96	CORRUGATED WASHER 12	19342005
98	GRUB SCREW DIN 916 M5 X 6 NE	NE0916005006
99	BOCCOLE AUTOLUBR.12.14.25	19324114
100	THICKNESS KNOB WASHER _ MIRRA	19562145

102B	THICKNESS KNOB BLUE_MIRRA	19564020
102A	MANOPOLA NUMERATA MRR C	19562403
106	HOLDING RING NUT _ MIRRA 250	19534062
108	FLAT WASHER DIN 125 D 8	IX2125008
110	HEX.NUT DIN 934 M8	IX2934008
120	BLADE REMOVAL TOOL FOR SLICER 250	19702504

Mirra 250 C AF (Until June 2006) - Page 2

Ref.	Product name	Code
202	THREADED RELEASE PLATE _ SLICER CE	19533200
204	CARRIAGE RELEASE PLATE _ MIRRA CE	19533210
206	RELEASE NEEDLE _ SLICER 300-385 CE	19565001
208	PIN _ SLICER 220-250 CE	19534034
210	SCREW TE DIN 933 M 6X30 T.F.	IX2933006030
212	CARRIAGE FOR SLICER	19500516
214	BUSHING 18.20.20	19324108
216	FLAT WASHER DIN 125 D 6	IX2125006
218	SCREW TE DIN 933 M 6X22 T.F.	IX2933006022
222	HEX.NUT DIN 934 M 6	IX2934006
224	RELEASE SPRING 220-250 CE	19390600
226	THREADED BUSH _ SLICER 220-250 CE	19534024
228	LOCKRING EXT. _ SLICER 220-250 CE	19534029
230	HEX.SCREW DIN 933 M5 X 10	IX2933005010
232	PIASTRINA CARRELLO 220-250-300V CE	19533001
234	LOW HEX.NUT DIN 439 M 6	IX2439006
236	CARRIAGE BEARING 626 2RS R50_MIRRA	19320103
238	HEX.NUT DIN 934 M 6	IX2934006
240	FLAT WASHER DIN 125 D 6	IX2125006
242	SLIDE ROUND BAR _ MIRRA	19530601
244	ROUND BAR SPRING D.18 MIRRA 220-250	19390111
246	ROUND BAR SCREW T.20_MIRRA	19335001
248	SQUARE BAR _ MIRRA	19540101
250	HEX.SCREW DIN 933 M5 X 20	IX2933005020
254	ROUND BAR SPRING MIRRA220-250	19390101
255	VITE SENZA TESTA DIN 913 M 8X30 CE	IX2913008030
256	HEX.NUT DIN 934 M 6	IX2934006
256B	BLADE GUARD TIE ROD KNOB M8 _ BLUE	19564013
256A	TIE ROD KNOB M8X5_SLICER 300-370	19562504
257B	MEAT PRESS HANDLE BLUE _ MIRRA	19564019
257A	MEAT PRESS KNOB FOR MIRRA - BLACK	19562900
258	GAMBO MRR UK CE OSSIDATO	19510616UK
260	SCREW TE DIN 933 M 6X22 T.F.	IX2933006022
262	WASHER LARGE DIN 9021 D 6X18	IX29021006018
264	PRODUCT PLATE MIRRA 250 C 4 HOLES	195104011
266	GRUB SCREW DIN 916 M5 X 6 NE	NE0916005006
268	BUFFER SPACER D21X12MM _ MIRRA	19561520
274	BUSHING 10.12.10	19324101
278	BUFFER D65X30 FOR MIRRA	19563208
280	MEAT PRESS ASSEMBLY MIRRA-CANOVA CE	19801233
281	WASHER DIN 125 D 10	IX2125010
282	SPACER D12X150 _MIRRA/CANOVA CE	19541508

284B	MEAT PRESS HANDLE - BLUE	19564012
284A	MEAT PRESS KNOB FOR SLICER - BLACK	19562904
286	SPACER D.20X15MM	19521601
288	STUD BOLT M5 X 30	19336003
290	WASHER LARGE DIN 9021 D 5X20	IX29021005020
292	BLIND NUT DIN 1587 M5	IX21587LC005
294	HAND GUARD_MIRRA/PERLA/TOPAZ220-250	19562322

Mirra 250 C AF (Until June 2006) - Page 3

Ref.	Product name	Code
-	AFFILAT.INC.CE MRR C 250G-300 VERT	19800032
124A	SHARPENER LOCKING KNOB FOR SLICER	19562602
124B	BLUE KNOB M8	19564015
126	SHARPENER SUPPORT STUD BOLT L=75 MM	19336010
402	CAPP.MRR 220-250G 300SV CE OSSIDATA	19511202C
404A	SHARPENER KNOB M5	19562701
404B	KNOB M 5 BLUE	19564018
410	SHARPENER SPRING _ SLICER 250-300	19390303
412	DEBURRING PIN _ SLICER 250-300	19540703
416	DEBURRING STONE D.40 H8 F6	19300201
418	FLAT WASHER DIN 125 D 6	IX2125006
420	HEX.NUT DIN 934 M 6	IX2934006
421	LOW HEX.NUT DIN 439 M 6	IX2439006
424	SHARPENING PIN _ SLICER 250-300	19540704
426	DEBURRING BUTTON _ SLICER 250-300	19550203
427	BUTTON LOCKING SCREW_SLICER 250-370	19335025
442	PERNO COL.FR.MRR.250G/300V L=625	19540432
444	HEX.SCREW DIN 933 M5 X 16	IX2933005016
446	WASHER LARGE DIN 9021 D 5X15	IX29021005015
448	HEX.NUT DIN 934 M 4	IX2934004
450	GRUB SCREW DIN 913 M4 X 35 CE	IX2913004035
451	HEX.NUT DIN 934 M 5	IX2934005
452	GRUB SCREW DIN 913 M5 X 20 CE	IX2913005020
454	SEEGER DIN 471 D 06E	IX2471006
456	SHARPENER FRAME_MIRRA VERT.220-300	19021332
458	FLAT WASHER DIN 125 D 8	IX2125008
460	HEX.NUT DIN 934 M8	IX2934008
468	SHARPENING BUTTON _ SLICER 250-300	19550202
470	SHARPENING STONE D40 H11 F6	19300101

Mirra 250 C AF (Until June 2006) - Page 4

Ref.	Product name	Code
600	ON/OFF SWITCH 230 V	19410152
602	380/220V PILOT LAMP	19410406
626	CAPACITOR 8µF CODOLO M8	19410301
628	FLAT WASHER DIN 125 D 8	IX2125008
630	LOW HEX.NUT DIN 439 M8	IX2439008
632	RELAY HOUSING 11-04-97 _ MIRRA	19563125
634-1	TERMINAL BLOCK 3 POLES 27	19410822
634	SUB-TERMINAL PA 228	19410820
636	SCREW TC-DIN 84 M 5X10	IX284005010

642	HOUSING SPACER RING	19561500
644	UK POWER CORD SINGLE PHASE	19410504
648	MOTOR 230/50 P.40 _ MIRRA	19403042
650	VITE AUTOF.TC+ DIN 7981 D 35X95	IX27981350095
652	WASHER DIN 6798-A D 4E	IX26798A004
654	GROUND LABEL	19420177
658	GROUND CABLE UL _ MIRRA 220-250	19410738
660	GRUB SCREW DIN 916 M5 X 6 NE	NE0916005006
662	CAVO MICRO 220-250 AF/BULTH	194107013
664	MICROSWITCH SINGLE-PHASE	19410201
668	S/S MOTOR ROD _ MIRRA	19540501
670	GRUB SCREW DIN 913 M 5X30 CE	IX2913005030
672	HEX.NUT DIN 934 M 5	IX2934005
674	WASHER LARGE DIN 9021 D 5X20	IX29021005020
676	SCREW TC-DIN 84 M 5X10	IX284005010
680	BOTTOM COVER _ MIRRA 220-250	19563151
681	SELF-TAP.CONVEX HEAD SCREW D29X95	IX27981290095
684	INDICATOR LIGHT CABLE	19410750

Mirra 250 C AF (Until June 2006) - Page 5

Ref.	Product name	Code
610	380/220V PILOT LAMP	19410406
620A	SWITCH PROTECTION	19563107.06
620B	SWITCH PROTECTION	19563107.06
620A	PROTEZIONE INTERR. KIT FRANCIA	19563107
622	SWITCH BUTTON 0-1	19410115.06
624B	RED SWITCH PART	19410110.06
624A	BLOCCHETTO ROSSO V 40	19410110
626B	GREEN SWITCH PART	19410111.06
626A	BLOCCHETTO VERDE V-50	19410111
628	PCB 230-400/50 & 110/60 LED	19411000.06
630	EMERGENCY RED BUTTON	19410148.07
632	HOLDER FOR EMERGENCY BUTTON	19410149.07
634	CONTACT FOR EMERGENCY BUTTON	19410147.07