



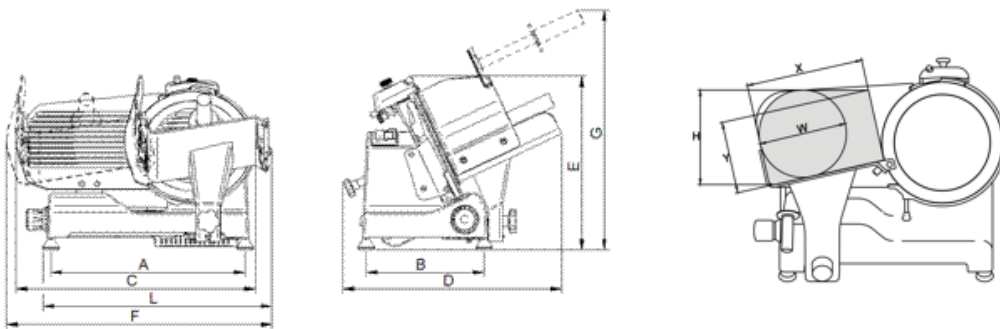
solo per professionisti

Sirman Spa
 Viale dell'Industria 9/11
 35010 PIEVE DI CURTAROLO (PD), Italy
 Tel./Fax. +39 049 9698666 / +39 049 9698688
 email: info@sirman.com

Sirman 切片机, model Smart 250 :



- Painted aluminium body.
- Anodized aluminium components.
- Ergonomic food-presser made of die-cast aluminum with teeth shaped to best block the product to cut.
- Wide space between motor and blade for easy cleaning.
- Ventilated motor for continuous work.
- Carriage running on self-lubricating bushes and lapped pins.
- Strong thickness gauge support.
- Cast-in sharpener assembly with 2 standard emery-wheels.
- Compact dimensions but great cutting capacity.
- Devise for releasing the carriage on CE version.
- 25 ° blade inclination.



模型	SMART 250
∅ 刀片	mm 250 - inch. 10
电机	watt 132 - Hp 0,18
切削厚度	mm 13
滑车行程	mm 247
盘子	mm 225x240
A	mm 405
B	mm 245
C	mm 500
D	mm 460
E	mm 365
F	mm 555
G	mm 460
L	mm 480
X	mm 215
Y	mm 150
H	mm 185
W	mm 175
净重	kg 15,5
包装尺寸	mm 600x500x420

毛重	kg 18
HS-CODE	84385000