



SIRMAN S.p.a.

Via dell'Industria 9/11
35010 Curtarolo
Padova (Italy)
Tel: 049 9698666
Fax: 049 9698688

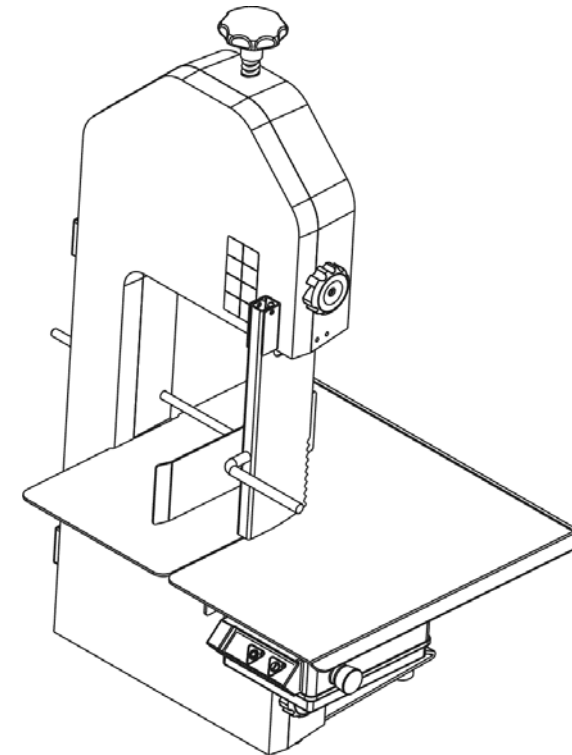
www.sirman.com
info@sirman.com

AUTHORISED DEALER



SO 1550 F3
SO 1650 F3
SO 1840 F3

ALUMINIUM BONE SAW



USE AND MAINTENANCE MANUAL

Cod.: so_F3_001

DOCUMENTAZIONE TECNICA / TECHNICAL DOCUMENTATION
**Documenti tecnici di riferimento dei modelli/Reference technical documentation of models:
SO 1550 F3, SO 1650 F3, SO 1840 F3**

 Attestato di Esame CE del Tipo di riferimento/Reference EC Type-Examination Certificate:
IG-340-2011 rev. 2 del/of 26/02/2014

Fascicolo Tecnico/Technical File:

 "FT - SO1650-1840" rev. 0 del/of 25/11/2011
 "FT - 1550A-1650A-1840" rev. 0 del/of 26/02/2014
 "FT- SIRMAN 2014" rev. 0 del/of 26/02/2014

**Documenti tecnici di riferimento dei modelli/Reference technical documentation of models:
SO 1650 BREMEN, SO 1650 INOX, SO 1650 INOX START, SO 1840 INOX START**

 Attestato di Esame CE del Tipo di riferimento/Reference EC Type-Examination Certificate:
IG-345-2011 rev. 2 del/of 26/02/2014

Fascicolo Tecnico/Technical File:

 "FT- SO1650 IX" rev. 0 del/of 25/11/2011
 "FT - 1650 IX-FB-X - 1840X" rev. 0 del/of 26/02/2014
 "FT- SIRMAN 2014" rev. 0 del/of 26/02/2014

**Documenti tecnici di riferimento dei modelli/Reference technical documentation of models:
SO 2020 INOX, SO 2400 INOX**

 Attestato di Esame CE del Tipo di riferimento/Reference EC Type-Examination Certificate:
IG-346-2011 rev. 1 del/of 24/04/2013

Fascicolo Tecnico/Technical File:

 "FT - SO2020-2400" rev. 0 del/of 25/11/2011
 "FT- ESTENSIONI" rev. 0 del/of 25/11/2011

**Documenti tecnici di riferimento del modello/Reference technical documentation of model:
SO 3100 INOX**

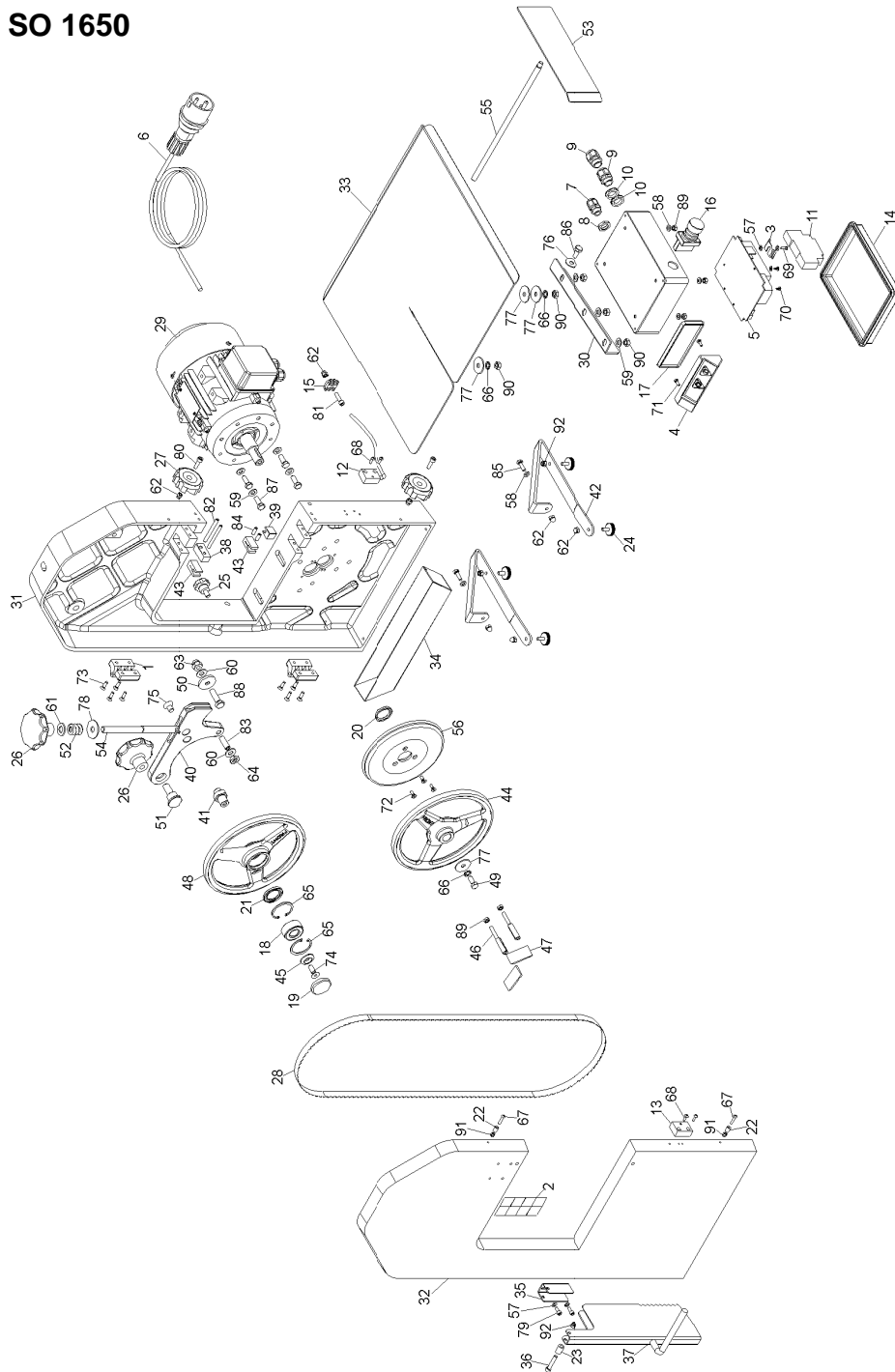
 Attestato di Esame CE del Tipo di riferimento/Reference EC Type-Examination Certificate:
IG-347-2011 rev. 1 del/of 24/04/2013

Fascicolo Tecnico/Technical File:

 "FT - S3100INOX" rev. 0 del/of 25/11/2011
 "FT- ESTENSIONI" rev. 0 del/of 25/11/2011
SO 1650

1	LF1000416001
2	LF1000416010
3	LF1000416020
4	LF1010033
5	LF1010034
6	LF1010050
7	LF1010069
8	LF1010069A
9	LF1010072
10	LF1010072A
11	LF1010080
12	LF1010084
13	LF1010086
14	LF1010704
15	LF1030522050
16	LF1034002
17	LF1061104
18	LF1110005
19	LF1201001
20	LF1210001
21	LF1210002
22	LF1400416004
23	LF1400416016
24	LF1452501
25	LF1510002
26	LF1510004
27	LF1510704
28	LF151650U16
29	LF1810516
30	LF2000415007
31	LF2000416001
32	LF2000416004
33	LF2000416013
34	LF2000416016
35	LF2000416019
36	LF2000416020
37	LF2000416022
38	LF2000416028
39	LF2000416029
40	LF2000416031
41	LF2000416034
42	LF2000416038
43	LF2001014
44	LF2001027
45	LF2001028
46	LF2001030

47	LF2001032
48	LF2001037
49	LF2001039
50	LF2001081
51	LF2010008
52	LF2010025
53	LF2010032
54	LF2010108
55	LF2010109
56	LF2010517
57	IX2125005
58	IX2125006
59	IX2125008
60	IX2125010
61	IX2125012
62	IX21587LC006
63	IX21587LC010
64	IX2439010
65	IX2472042
66	IX26798A008
67	IX27380004020
68	IX27380TX200412
69	IX279813,5013
70	IX279813,5009,5
71	IX27985004012
72	IX27991005014
73	IX27991005018
74	IX27991008020
75	IX27991010016
76	IX29021008024
77	IX29021008032
78	IX29021012036
79	IX2912005012
80	IX2912006020
81	IX2912006025
82	IX2913006060
83	IX2913010030
84	IX2916006016
85	IX2933006020
86	IX2933008020
87	IX2933008022
88	IX2933010035
89	IX2934006
90	IX2934008
91	IX2982004
92	IX2982006



Index

1.	Delivery and Warranty Terms	7
1.1	Introduction	
1.2	Storing and using this manual	
1.3	Warranty Terms	
1.4	Machine description	
1.5	Machine use	
1.6	Improper use	
1.7	Machine data and specifications	
1.8	Protections and Safety devices	
1.9	Warning signs and labels	
1.10	Operating position	
1.11	Operating location	
1.12	Lighting	
1.13	Vibrations	
2.	Technical Specifications	12
2.1	Main parts	
2.2	Technical specifications	
2.3	Maximum size of the food product to cut	
2.4	Machine measurements and weight	
2.5	Noise level	
2.6	Wiring diagrams	
2.6.1	Three-phase wiring diagram 380V	
2.6.2	Single-phase wiring diagram 220V	
2.6.3	Three-phase wiring diagram connected 220V	
3.	Testing, Transport, Delivery and Installation	17
3.1	Testing	
3.2	Delivery and installation of the machine	
3.2.1	List of equipment provided	
3.3	Installation	
3.3.1	Disposing of packaging materials	
3.3.2	Handling the machine	
3.4	Connecting to mains power supply	
3.4.1	Three-phase machine 380 Volt-50Hz and three phase machine 220 Volt-50 Hz	
3.4.2	Single-phase machine 220 Volt-50 Hz	
4.	Controls and indicator lights	18
4.1	List of controls and indicator lights	
5.	Starting and Stopping	19
5.1	Checking power supply connection	
5.2	Checking efficiency and fitting of safety protections and devices	
5.3	Starting the machine	
5.4	Stopping the machine	

- failure to comply with the regulations in force in the country in which the machine is used;
- lack of or insufficient maintenance;
- use of non-original spare parts and spare parts not specifically designed for the model;
- non-observance of the instructions provided in this manual.

1.4 - Machine Description

This bone saw is a simple, compact and a high-performing machine.

The support structure and pulleys are aluminium.

It is provided with mechanical protections (casings, doors etc.) and electrical safety devices (microswitch, emergency stop button etc.) in order to minimise hazards to the operator.

The pulley angle can be adjusted both horizontally and vertically in order to ensure maximum blade contact.

The motor is non-ventilated, water-protected, self-braking and operates intermittently.

The pushbutton panel is located in an easily accessible position with the controls powered at 24 Volt.

The machine has been designed to facilitate cleaning operations, thanks to the following technical features:

- easy blade and upper pulley removal without using tools.
- once the pulley has been removed, the machine has a smooth surface facilitating cleaning operations and allowing the dirt on the blade to deposit directly in the tray.
- all the electrical components are IP 56 rated (minimum).

1.5 - Machine Use

The saw has been designed to cut bones, meat and fish.

It must only be used on a counter top or on the stand supplied by the manufacturer. As this saw is designed for food, the materials utilised for manufacturing the blade and all other components which can come into contact with the food product being cut, have been carefully selected.

The machine is designed for professional use and as such should be used by a skilled operator who must carefully read this manual before using the machine.

This machine has been manufactured in compliance to the EU Directive 2006/42 EEC. The saw is also suitable for cutting frozen fish and does not require specific workplace conditions.

However, we recommend the saw is located in a closed environment, protected from weather conditions and sudden changes in temperature.

1.6 - Improper Use

The saw must only be used for the purposes expressly intended by the manufacturer. In particular:

- Do not use the machine unless it has been correctly installed with all the protections efficient and correctly fitted to avoid serious injury.
- Do not use the machine if the blade is worn or damaged or blunt as these conditions could cause the blade to break.
- Do not stand on the machine, even if not operational. Apart from the danger of falling, the machine could be damaged.
- Do not access the electrical components without having first disconnected the

7.8 - WEEE Waste of Electric and Electronic Equipment

Directive 2002/95/EC, 2002/96/EC and 2003/108/EC on the restriction of the use of certain hazardous substances in electrical and electronic equipment, and waste electrical and electronic equipment



This symbol, crossed out wheeled bin, on the product or on its packaging indicates that this product must not be disposed of with your other household waste.

Separate waste collection of this appliance is organised and managed by the manufacturer. It is the user's responsibility to contact the manufacturer and follow the waste treatment system the manufacturer has adopted for separate waste collection.

The separate collection and recycling of your waste equipment at the time of disposal will help to conserve natural resources and ensure that it is recycled in a manner that protects human health and the environment.

7.9 - Spare parts

For spare parts contact the manufacturer for a copy of the spare parts catalogue.

8 Troubleshooting

8.1 - Malfunctions, causes and remedies

MALFUNCTIONS	CAUSES	REMEDIES
- The machine does not start	- The general power switch is in position "0".	- Switch the general power switch to position "I"
	- Pulley casing is not closed properly	- Close pulley casing correctly
	- One or all the microswitches are faulty	- Inspect for cause and if necessary replace microswitch
	- The emergency stop hit button is engaged	- Release the emergency stop hit button
- Cutting is not linear	- Electric motor or electronic circuit board are faulty	- Contact the service centre for assistance
	- The blade is too slack	- Tension blade
- The blade falls off the pulley	- The blade is blunt .	- Replace blade
	- The top pulley is misaligned	- This must be performed by specialised and authorised personnel
	- The blade is not perfectly welded	- Replace blade even if new.
	- Incorrect blade tension	- Tension blade leaving gaps between the spring coils
- The blade overheats	- Incorrect blade setting	- Contact the service centre for assistance .
	- Waste or off-cuts are trapped near the blade guide	- Remove waste or off-cuts trapped near the blade guide
	- bearing on top pulley are trapped	- Replace bearings
	- The blade is blunt	- Replace blade

- Slacken screw fixture 5 by turning it anticlockwise, with both hands grip pulley “6” and pull it towards yourself as illustrated in fig. 7.7.5 and clean with a sponge soaked with a pH 7 neutral detergent.

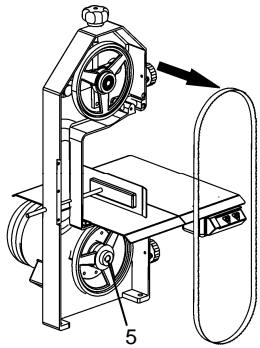


Fig. 7.7.4

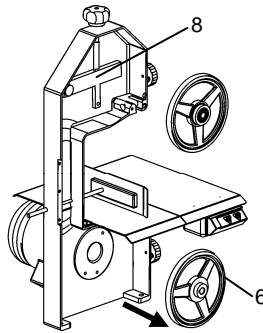


Fig. 7.7.5

- Unscrew knob “7” completely and remove, the releases pulley “8” which can now be removed and cleaned utilising a sponge soaked with a pH 7 neutral detergent
- Remove all scrapers “9” and wash utilising a pH 7 neutral detergent.
- Remove the screw fixtures on the blade guide “10” as in illustrated in fig. 7.7.8 and wash utilising a pH 7 neutral detergent
- Having removed all the removal parts it is possible to clean the smooth surface of the machine utilising a pH 7 neutral detergent
- Rinse all components to eliminate any residual detergent and replace all parts removed. To replace proceed by inverting this procedure.

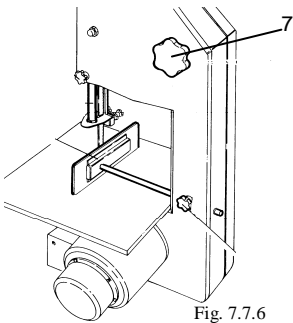


Fig. 7.7.6

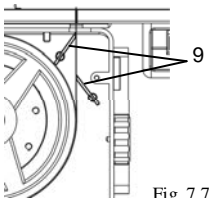


Fig. 7.7.7

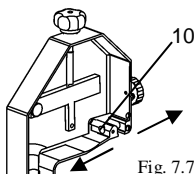


Fig. 7.7.8

machine from the power supply: electrical hazard electrocution.

- Do not use the machine for cutting products other than meat, bones, fish or similar.
- Do not cut items larger than the specified dimensions.
- Do not stop the blade with your hands; wait until it stops to avoid serious injuries.
- Do not wear rings, watches, jewellery, loose or hanging garments such as scarves, ties, torn clothes, unbuttoned jackets or smocks with open zips which can get tangled in the moving parts. Use approved personal protective equipment (PPE): non-slip shoes, safety goggles, work gloves, ear defenders and safety mask. Consult your employer on safety regulations and safety equipment required.
- Do not start the machine if it is not in perfect working order. Before using the machine, ensure that any dangerous condition has been appropriately eliminated. If a malfunction occurs, stop the machine immediately and contact your maintenance service.
- Do not allow unauthorised personnel to perform work on the machine. In the event of an electrical accident, first remove the injured person from the conductor (it is likely that the injured person will be unconscious).

This operation is dangerous as the injured person is a conductor and touching the person in question can cause an electric shock. Isolate (shut-off power) the machine from the main power supply if this is not possible, move the injured person away from the machine using insulating material (wood or PVC sticks, fabric, leather etc.). Immediately seek medical care and admit the person to hospital. The safety instructions provided at the beginning of the chapters on machine use and maintenance must be thoroughly read and understood in full.

1.7 - Machine Data and Specifications

For precise and turnaround replies to queries or when ordering spare parts from the service centre always provide “Model”, “Serial number” and “Year of manufacture”.

For quick reference when contacting the service centre we suggest you fill in the box in fig. 1.7.1, with the machine specifications.

This information can be found on the machine rating plate as illustrated below.

Bone saw model.....
Serial number.....
Year of manufacture.....
Type.....

CAUTION

Do not, for any reason, alter the data given on the rating plate.

<p>A = machine model B = motor frequency volt C = motor power Watt D = motor frequency Hz E = machine weight kg F = Ampere G = month and year of production H = serial number I = manufacturer</p>	<p>MOD: (A) VOLT: (B) WATT: (C) Hz: (D) KG: (E) A: (F) M/A: (G) MATRIC. (H)</p> <p>① </p>
--	---

Fig. 1.7.1

1.8 - Safety Devices

CAUTION

Before using the machine, ensure that the safety devices are correctly positioned and in perfect working order.

At the beginning of each work shift, check that they are fitted and efficient; if not, inform the maintenance manager.

1 - Blade mobile guard.

If no food product is being cut, this protection guard prevents contact with the cutting blade.

2 - Emergency stop hit button.

It instantly stops the cutting blade when in emergency conditions.

3 - Casing closed control microswitch.

If the casing opens, the microswitch cuts off the electrical power supply to the machine instantly stopping it. When the casing is closed, the machine will not restart unless the start button is pressed.

In the event the machine stops due to a power failure, the machine will not restart when power is restored unless the start button is pressed.

1.9 Warning Signs and Labels (Fig. 1.9.1)

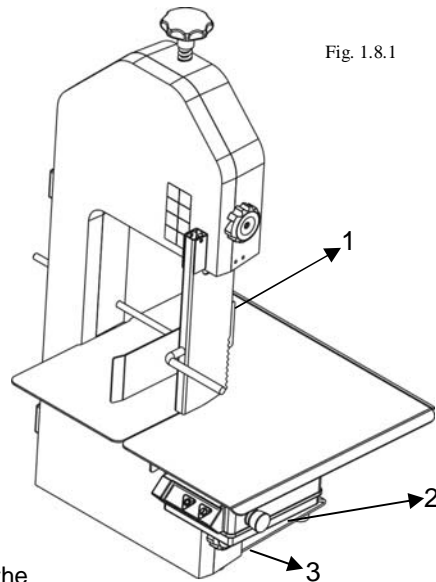
CAUTION

Do not position your hands near the blade above all when working: Hazard of serious injury.

Do not perform work on the electrical components with the machine connected to the power supply: hazard of electrocution.

Observe the warnings affixed to the machine. Failure to observe them can cause serious injury and even death.

Ensure that all warning signs are affixed to the machine and legible. If not, affix or replace with new warning signs.



7.7 - Cleaning

7.7.1 - 7.7.1 - General guidelines

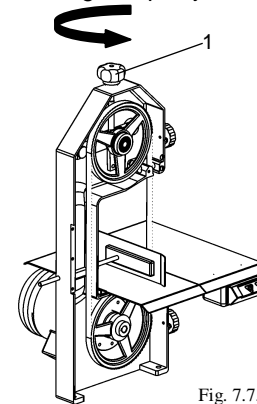
- The machine must be cleaned at least once a day and if necessary more frequently.
- Always accurately and thoroughly clean all the parts of the bone saw which come into direct or indirect contact with the food product.
- Never clean the machine with powered water cleaners or water jets, only use neutral detergents (pH 7). **It is strictly forbidden to use any other types of detergent.** Do not use cleaning utensils, brushes or any other the tool which could damage the surface of the machine

Before cleaning the machine unplug the plug from the power socket isolating the machine from the power supply;

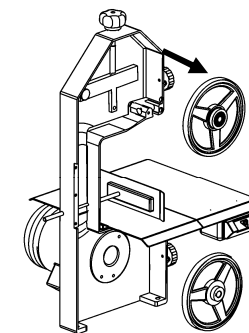
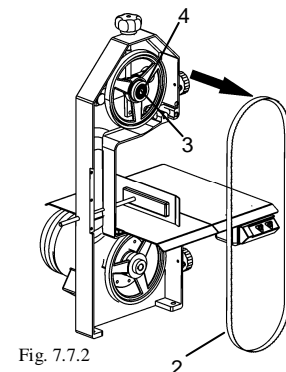
CAUTION: When cleaning pay attention to cutting hazards created by sharp and pointed surfaces or parts.





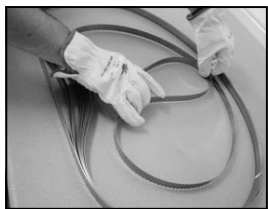

7.7.2 - When cleaning the machine

- Always wear suitable safety gloves for handling sharp objects



- Slacken tension in the blade by turning knob "1" anticlockwise completely and remove knob.
- Grip blade "2" and remove from pulley as illustrated in fig. 7.7.2
- Slacken screw "3" by turning it anticlockwise, remove the washer which secures the pulley in position "4", using both hands grip the pulley and pull towards yourself as illustrated in fig. 7.6.3 and clean with a sponge soaked in a neutral pH 7 detergent.



6	With one hand grip the blades		
7	With the other hand remove the second tie fixture...		
8	With both hands grip the blades and carefully open the pack on top of the work surface.		
9	Now the blades are completely open grip one of the blades from the centre bend and slide it along the table as illustrated in the photo, now grip both ends and move it towards the centre. At this point lift the blade.		
10	Once you have lifted the blade off the table using both hands stretch open. The blade is now ready to be mounted on the machine. .		The other spare blades must be tied and protected. To do this invert the procedure from point 8. It is recommended not to remove safety gloves before having completed all blade handling operations.

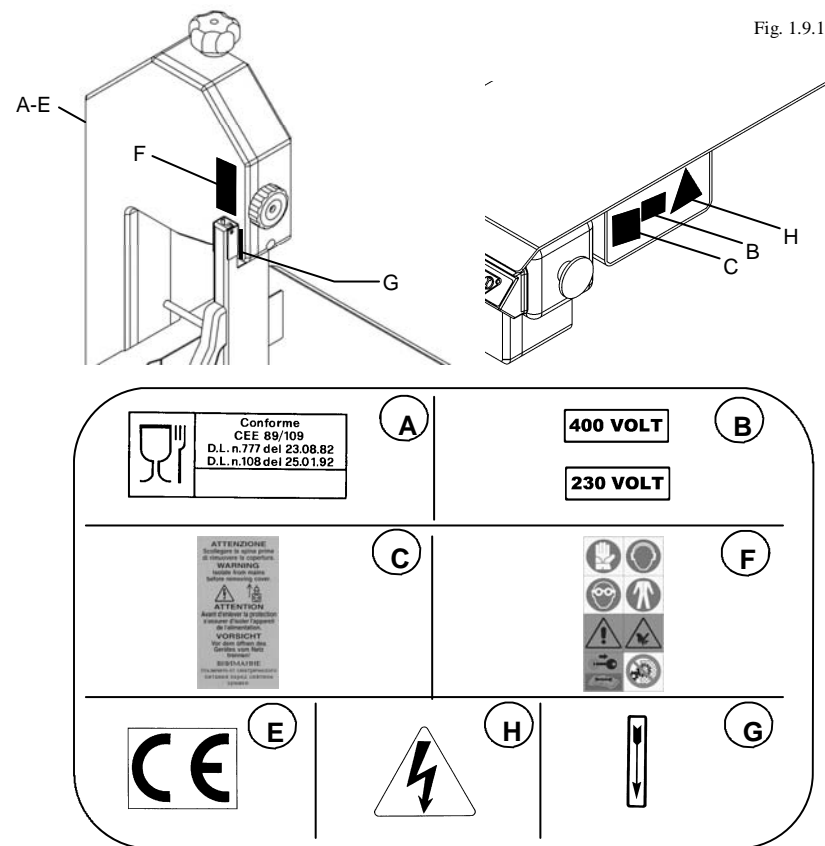


Fig. 1.9.1

1.10 - Operating position

The operator's correct work position is illustrated in fig. 1.10.1.

1.11 - Workplace conditions

This machine is designed to operate in the following conditions:

- altitudes: not over 1500 m
- max workplace temperature: + 40 °C
- operating humidity: 50% at 40 °C

1.12 Lighting

Machine location must have adequate natural and artificial lighting conforming to local safety regulations. Lighting must conform to the regulations and laws of the country in question and must not cause reflections or glares creating a hazard. Lighting must be sufficient to allow for easy reading of the control panel and to easily identify location of the emergency hit button.

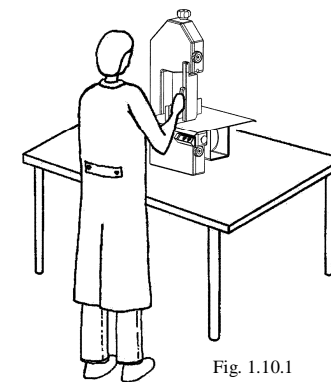


Fig. 1.10.1

1.13 Vibrations

The vibrations generated by the machine to the counter are not of significant importance.

2 Technical specifications

2.1 - Main parts

For reading purposes and better understanding of the machine, the main machine components are listed below and illustrated in fig. 2.1.1.

- 1 - Blade tension knob
- 2 - Pulley protection casing
- 3 - Control panel
- 4 - Guide for item being cut (portioning device)
- 5 - Cutting blade mobile guard (pusher)
- 6 - Worktop
- 7 - Electric motor
- 8 - Top drive pulley
- 9 - Band blade
- 10 - Waste and off-cuts collection tray
- 11 - Bottom drive pulley

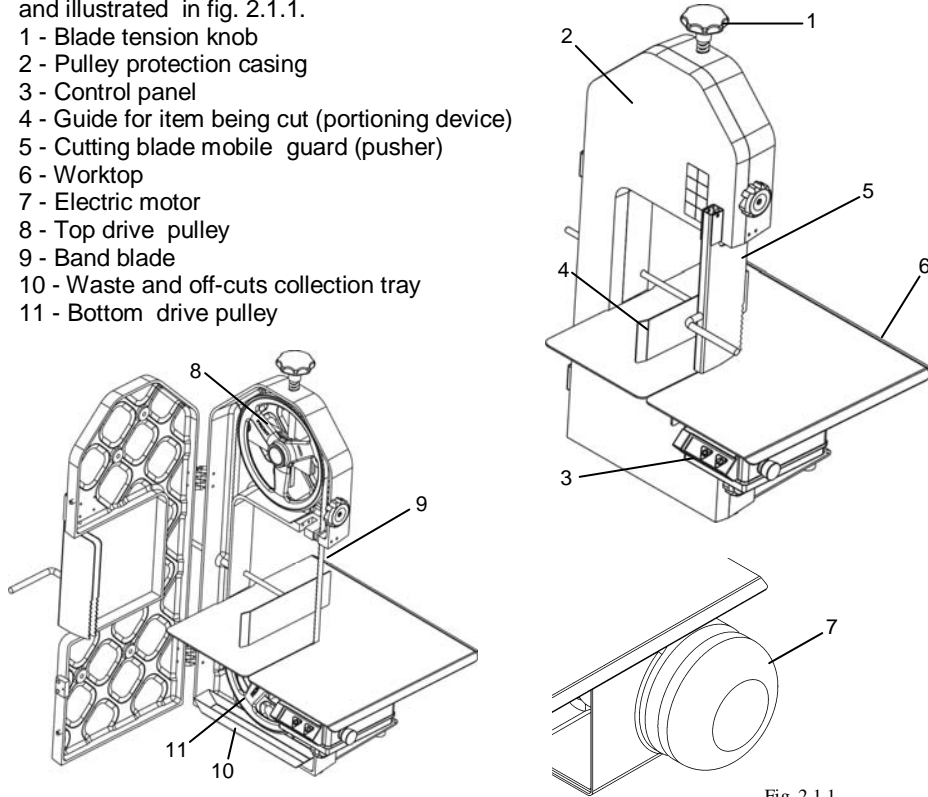


Fig. 2.1.1


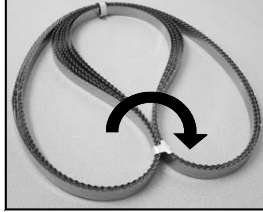


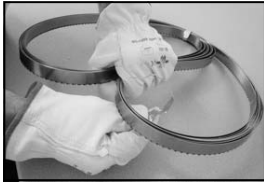

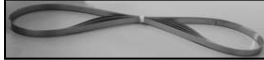
2.2 - Technical data

	Power	Speed R.p.m	Pulley diameter mm	Blade length Mm	Working Surface mm
SO 1550 MN	0,75Kw / 1Hp	1400	210	1550	400 x 420
SO 1550 TF	1,1Kw / 1,5Hp	1400	210	1550	400 x 420
SO 1650 MN	0,75Kw / 1Hp	1400	210	1650	430 x 475
SO 1650 TF	1,1Kw / 1,5Hp	1400	210	1650	430 x 475
SO 1840 MN	0,75Kw / 1Hp	1400	250	1840	430 x 475
SO 1840 TF	1,1Kw / 1,5Hp	1400	250	1840	430 x 475

7.6.4 - Handling the blade

HOW TO HANDLE A BLADE WITHOUT CUTTING YOURSELF

Proceed following each step in order.

1	Wear a pair of gloves adequate and suitable for handling sharp objects		
2	Remove the pack of blades from the box and position on top of a work surface. Make sure the teeth are facing downwards.		
3	Grip the blades with one hand, always wearing suitable and adequate gloves as illustrated in the photo.....		
4	.. With the other hand, always wearing suitable and adequate gloves, loosen and remove the tie fixture.		
5	Using both hands grip the blades and open the pack until the blades are stretched out.		

- Switch the general power switch to position "0" and unplug the plug from the power socket.
- Open casing "1".
- Turn knob "2" anti-clockwise to unscrew
- Remove the blade which is mounted on the two pulleys.
- Before mounting a new blade refer to paragraph 7.6.4.
- Clean the pulleys thoroughly.

It is recommended to remove the top pulley when removing the blade and to clean the machine thoroughly. With the pulley removed check the condition of the sealed bearing. If this bearing generates noise replace with a new bearing.

- Mount the new blade.
- Tension the blade by turning knob "2" clockwise.
- Check position on the two pulleys:
The blade should rest on the two pulleys, however the sharp (cutting) edge should jut out past the pulley. Refer to fig. 7.6.3 Rotate the two pulleys by hand to check the blade is positioned correctly.
- Close the casing "1" and close the snap lock "3".
- Connect the plug to the power socket.
- Switch the general power switch to position "1".
- Start and stop the machine and check the blade remains in its correct position and aligned correctly to the pulleys.

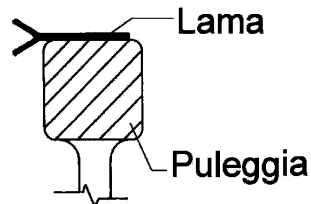
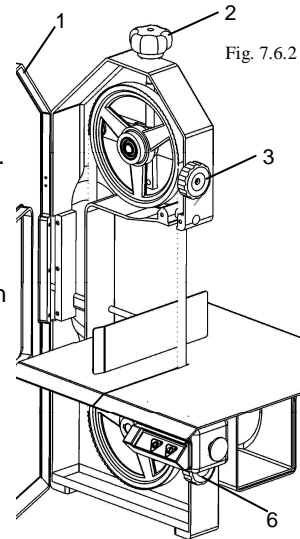


Fig. 7.6.3

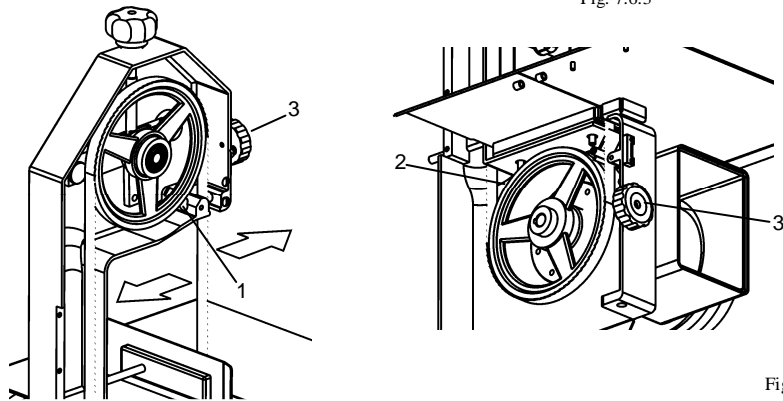


Fig. 7.6.4

7.6.3 Types of blades

There are several blades on the market of different tooth pitches, blade thickness, height and steel quality.

We recommend for our bone saw tempered steel blades with a 20 cm height and 7 mm tooth pitch.

For different kinds of food products such as chicken or frozen meats, specific blades with different tooth pitches exist on the market offering perfect cutting without waste or altering the product.

2.3 - Maximum size of the food product to cut (fig. 2.3.1)

	A	B
SO 1550	195 mm	215 mm
SO 1650	200 mm	250 mm
SO 1840	240 mm	250 mm

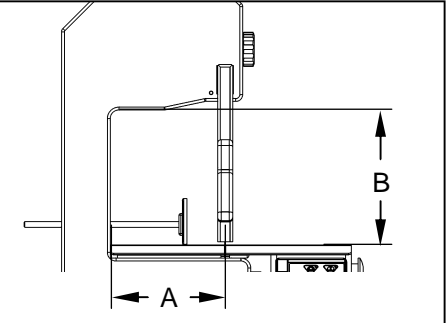
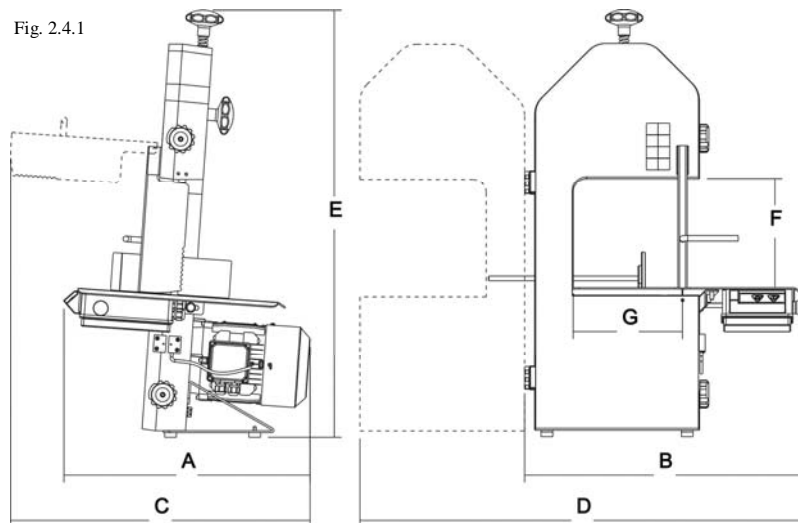


Fig. 2.3.1

2.4 - Machine measurements and weight

Fig. 2.4.1



	A	B	C	D	E	F	G	Net weight
SO 1550	530 mm	510 mm	606 mm	822 mm	778 mm	215 mm	195 mm	32 Kg
SO 1650	530 mm	600 mm	640 mm	950 mm	915 mm	250 mm	200 mm	39 Kg
SO 1840	530 mm	600 mm	640 mm	950 mm	915 mm	250 mm	240 mm	40 Kg

2.5 - Noise level

The noise level of this machine results to be 85 dBA. We recommend that the operator utilises ear defenders when operating the bone saw.

Upon request, the manufacturer can provide a copy of the noise level test.

2.6 - Wiring diagrams

2.6.1- Three-phase wiring diagram 380V

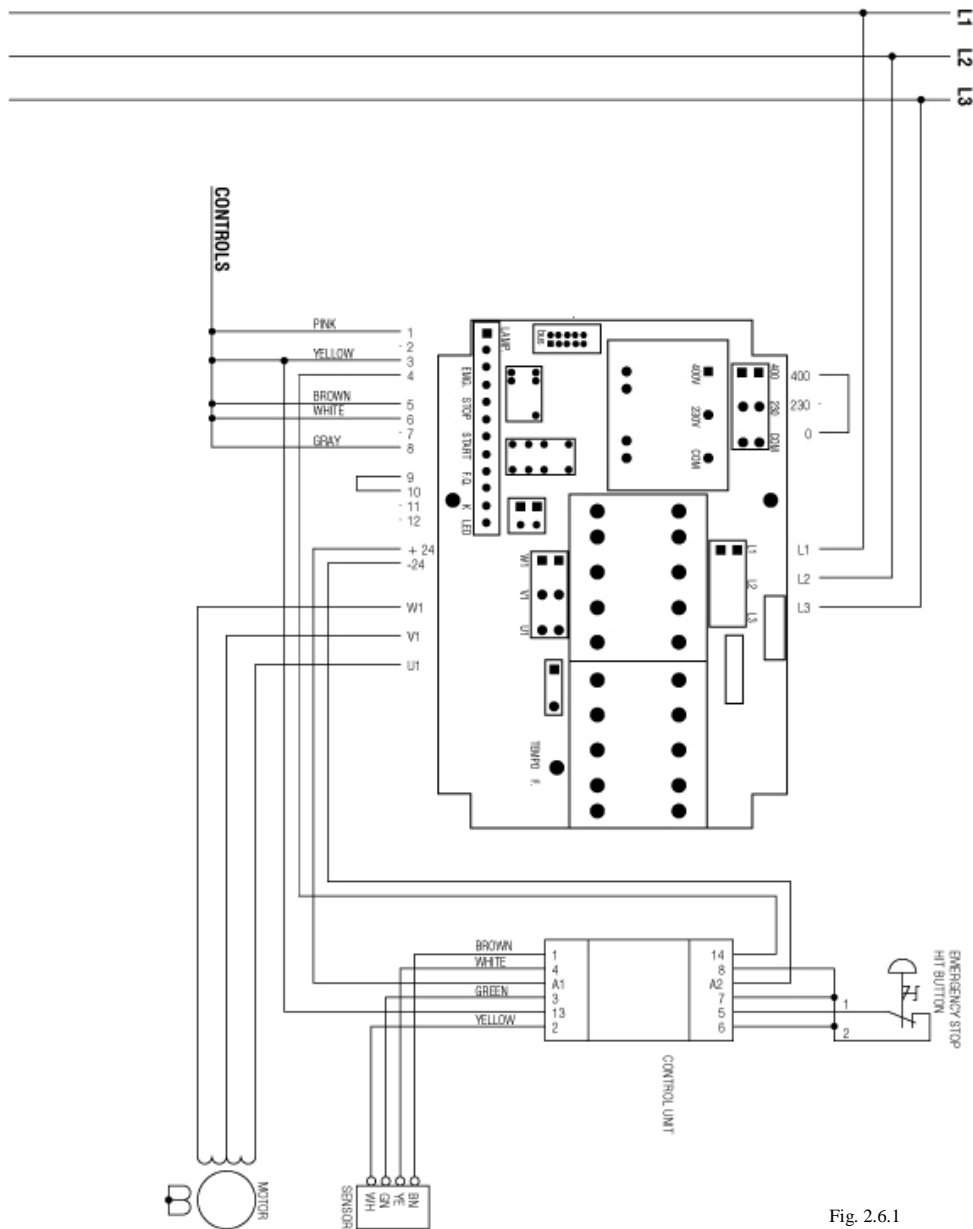


Fig. 2.6.1

7.4 - Tests and checks to perform at installation

To make sure the machine has not been damaged during transport or during installation, perform the following checks thoroughly:

Before starting the machine

- Check that mains voltage corresponds to the voltage indicated on the rating plate.
- Check danger and warning signs and labels are affixed and not damaged.
- check blade tension .
- run operational and functional checks
- check efficiency of the protections and safety devices to ensure they have not been damaged during transport.
- Check blade alignment.
- perform cutting tests utilising materials of the same size of the food product to cut.

7.5 - Periodical checks

To ensure machine performance and longevity, as well as following the foregoing instructions and procedures, it is necessary to perform constant checks and tests as described below.

Before each work shift

- Check efficiency of safety devices and protections.
- Check power cable efficiency and inspect for damage or wear.
- Check and inspect blade condition. If the blade is damaged or blunt replace.
- Check blade tension.
- Check the blade is correctly aligned to the drive pulley.

At the end of each work shift

- Clean the machine thoroughly and remove all waste products.
- Remove the blade guide clean and then replace.

7.6 - Machine check and inspection procedures

7.6.1 - Blade adjustment (Fig. 7.6.1)

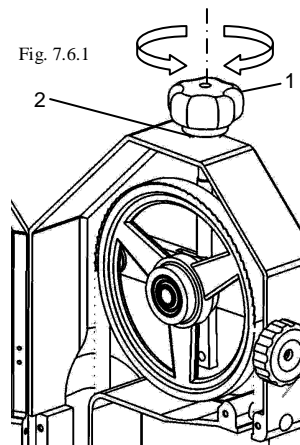


Fig. 7.6.1

When cutting is no longer linear it is necessary to adjust blade tension.

To do this stop the cutting blade and turn knob "1" clockwise as indicated by arrow "A".

When adjusting blade tension make sure the spring "2" is not "packed" there must be gaps between the coils. In this way if an off-cut gets trapped between the blade and drive pulley the spring acts as a shock absorber to the blade.

7.6.2 - Replacing / changing blade CAUTION

This is a very delicate and hazardous operation therefore only authorised and qualified personnel may change the blade.

7 Maintenance

7.1 - Warnings

CAUTION

Any machine maintenance or cleaning operations must be performed only with the machine disconnected from the power supply.

The area where you perform maintenance operations must always be clean and dry.

Do not allow unauthorised personnel to work on the machine.

CAUTION

Do not introduce any part of the body, fingers into joints or sharp openings without using the necessary protections.

Do not use petrol, solvents or other flammable liquids as detergents; use commercial non-toxic, non-flammable authorised solvents.

Do not use compressed air to clean the machine.

If necessary, use safety glasses with lateral protection and limit the pressure to a maximum 2 atm (1,9 bar).

Do not use naked flames as lighting for checking and maintenance operations.

Do not grease the machine when it is working.

7.2 - Introduction

Constant maintenance and a correct use of the machine are indispensable to ensure maximum efficiency and performance and to guarantee machine safety. To ensure machine performance and to avoid invalidating machine warranty, all parts must be replaced with original spare parts.

7.3 - Factory tests

The machine has been factory tested to ensure performance, efficiency and correct machine settings.

The factory tests are:

Before starting the machine:

- Machine operating voltage corresponds to the voltage requested by the buyer.
- warnings, caution signs and labels, machine rating plate which provides all technical specifications and the machine serial number are all affixed to the machine.
- All screws are tighten to their correct torque.
- Correct blade tension.
- The machine complies to the standards in force and with the regulations provided in this manual.

With the machine working:

- Check for efficiency in the protections and safety devices.
- Check for correct alignment of the blade drive pulleys.
- General operational and functional tests.
- a number of cutting tests to ensure the blade and machine are adjusted correctly for the type of cutting requirements requested.

2.6.2 - Single-phase wiring diagram

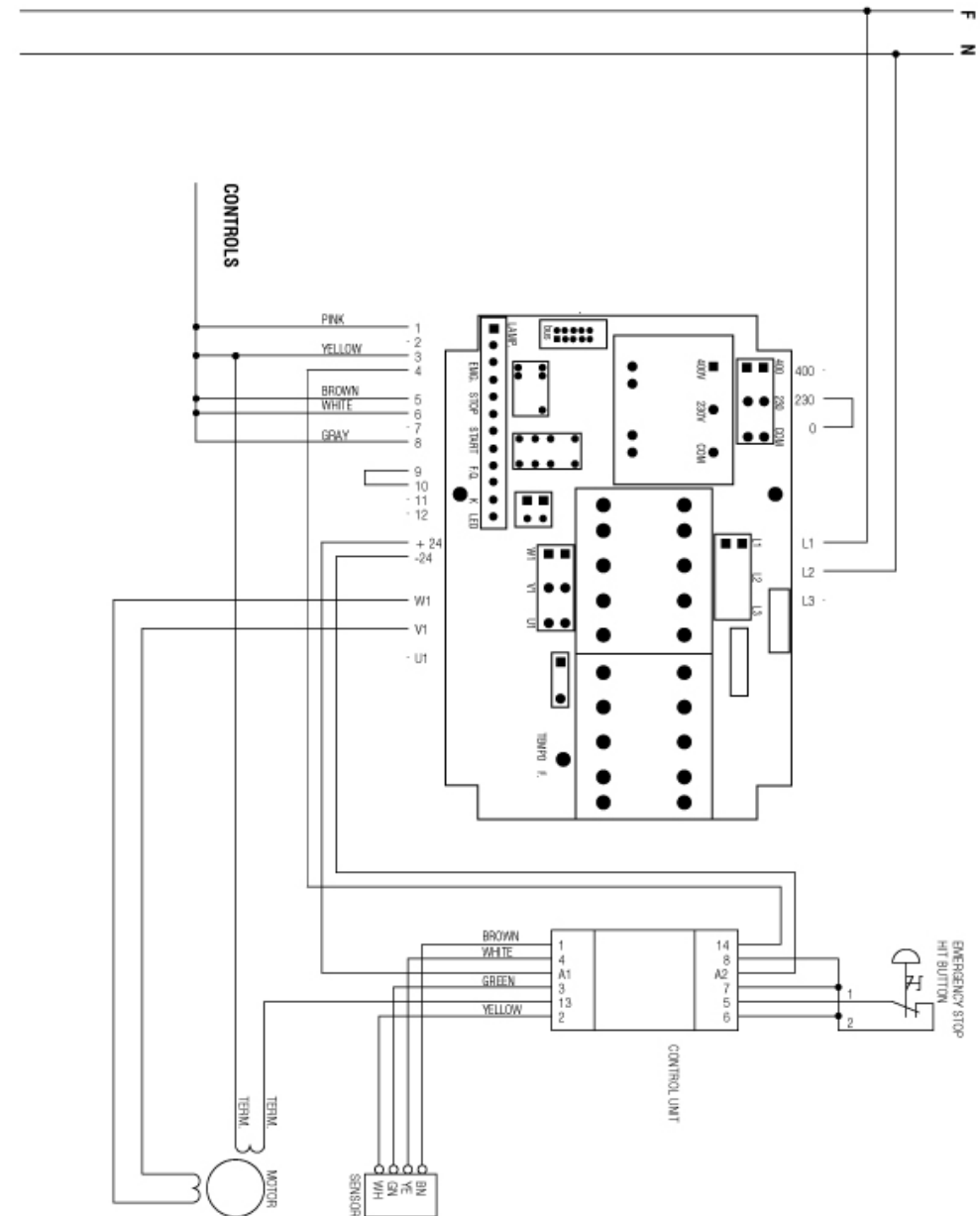


Fig. 2.6.2

2.6.3 - Three-phase wiring diagram connected 230V

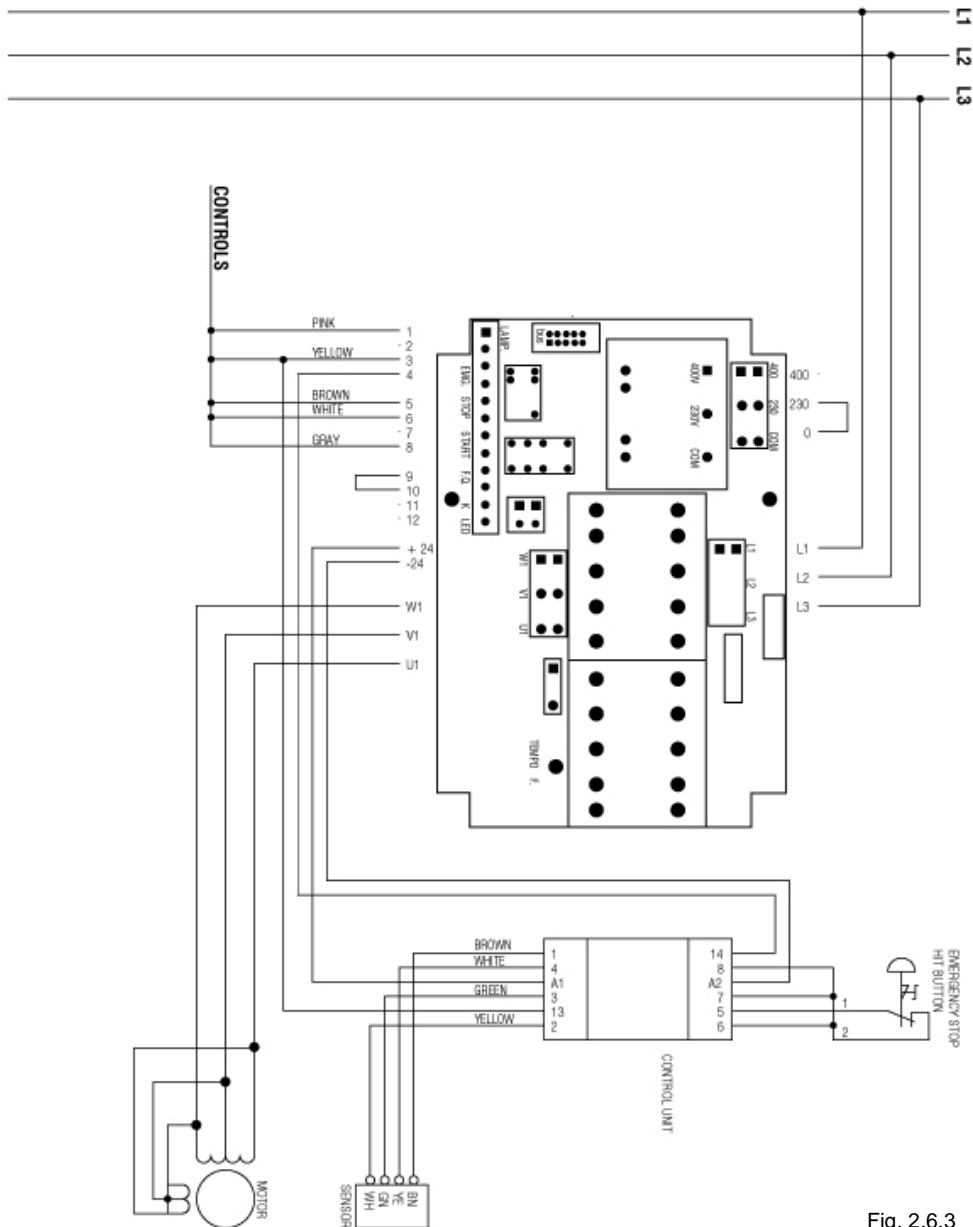


Fig. 2.6.3

6. Using Bone Saw

6.1 - Warnings

CAUTION

Only authorised personnel can operate or work on the machine. Before using the machine, the operator must check that all the protections are correctly installed and efficient. If there are problems stop the machine and call the maintenance manager. When using the machine for the first time, with the assistance of a specialised technician practice using the machine without any food products until becoming familiar with the various functions so as to operate in safety.

6.2 - Preliminary settings (fig. 6.2.1)

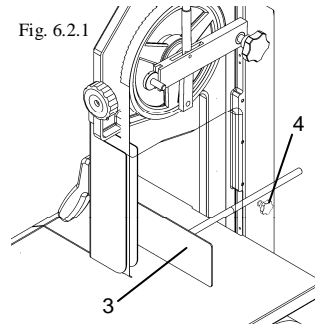


Fig. 6.2.1

- To cut the food product to the right size adjust the portioning device "3".
- to adjust the portioning device "3" slacken knob "4", and move the portioning device to the required distance from the blade and once adjusted tighten knob "4" to secure in the required position.

6.3 - Using the bone saw

Having performed the settings described in paragraph. 6.2 the machine is ready for use.

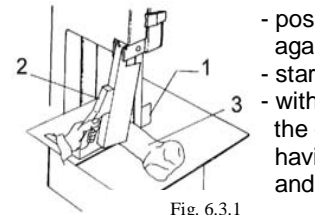


Fig. 6.3.1

- position the food product to cut on the worktop "3" up against the portioning device "1".
- start the machine
- with one hand grip the handle on the pusher "2", and with the other guide the food product towards the blade. Once having cut the required slices using only the pusher "2" and not your hands, push the product towards the blade.

IT IS STRICTLY FORBIDDEN FOR SAFETY REASONS TO CUT FOOD PRODUCTS SMALLER THAN 50 mm

Never cut food products without utilising the pusher "2"

Note: This bone saw is designed to work intermittently and not continuously.

6.4 - Using the stand (optional accessory)

CAUTION

This stand is to be positioned on level and solid flooring. Secure the machine to the stand utilising the screw fixtures provided "1" (refer to fig. 6.4.1).



Fig. 6.4.1

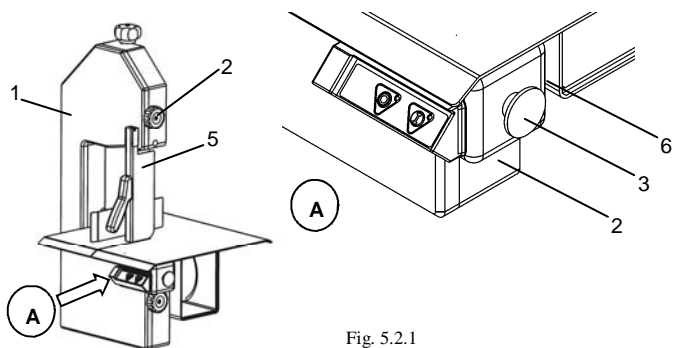
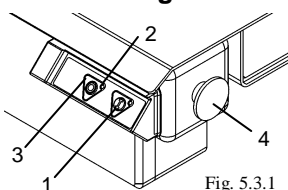


Fig. 5.2.1

CAUTION

If the aforementioned safety devices and protections are not fitted or are not in perfect condition or are incorrectly set or inefficient switch the machine off and contact the service centre in order to restore the machine to a safe and efficient working order.

5.3 - Starting the machine (fig. 5.3.1)



Switch the general power switch (differential switch) from position "0" to "I". The indicator light "2" lights up indicating the machine is powered. Press the ON pushbutton "1" to start blade rotation.

Fig. 5.3.1

5.4 - Stopping the machine (fig. 5.3.1)

In emergency situations to stop the machine hit the mushroom shaped hit button "4". In normal conditions to stop the machine press the stop button "3" which stops the electric motor.

The indicator light "2" remains on indicating the machine is still powered. Switch the general power switch to position "0" to disconnect (isolate) the machine from the power supply.

Note: Each time you finish using the machine or when it is not to be used for some time, turn the general power switch to position "0".

3 Testing, Transport, Delivery and Installation

3.1 - Testing

Your machine has been tested at our factory to ensure efficient and correct operation and settings. During testing, cutting tests are performed utilising products identical to the food product to be cut.

3.2 - Delivery and installation of the machine

All the equipment delivered is thoroughly checked before delivery to the forwarding agent or carrier. Unless otherwise agreed upon with the customer or due to specific transport requirements, the machine is packed in nylon and in a cardboard box. Packaging details and size are illustrated in fig. 3.2.1.

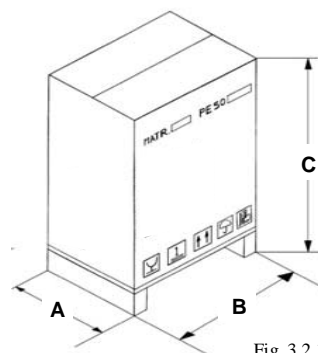


Fig. 3.2.1

	A	B	C	Gross weight
SO 1550	570 mm	720 mm	1150 mm	47 kg
SO 1650	570 mm	720 mm	1150 mm	55 Kg
SO 1840	570 mm	720 mm	1150 mm	56 Kg

Upon receipt of the machine, check that the packing is intact. If it has been damaged, sign the carrier's delivery note, but add the following comment: "I accept, with reserve....." and give the reason. Once packaging is opened, and some of the machine components result to be damaged, report the fact to the forwarding agent within three days from the date on the transport document.

3.2.1 - List of equipment provided

The following equipment is supplied with the machine:
n° 1 cutting blade

3.3 - Installation

CAUTION

The machine installation area must be level and firm and the supporting surface must provide a completely safe and stable base for the machine.

Plenty of space must be left around the machine.

This permits greater freedom of movement when working and allows operators to easily access the machine when maintenance is required.

Suitable lighting must be provided around the machine to ensure correct operator visibility.

- Remove the film wrapping and all other packaging inside the box.

3.3.1 - Disposing of packaging materials

Packaging materials such as cardboard boxes, nylon, wood can be eliminated with normal urban solid waste therefore disposed of without specific restrictions or treatment.

If the machine is delivered to countries where there are special regulations, dispose of packaging materials respecting local regulations on waste management.

3.3.2 - Handling the machine

CAUTION

Lift the machine with a fork lift truck of a suitable and adequate carrying capacity. Check the stability and the position of the load on the forks, check there are no rough, slippery or inclined surfaces. When you move the machine, keep it as low as possible to increase handling stability and operator visibility. Widen the forks (open) to ensure greater handling grip.

3.4 - Connecting to mains power supply

- The power supply cable is provided with a CEI 16 Amp plug.

Check the mains power supply corresponds to the voltage indicated on the rating plate of the machine. Installation and handling operations must be performed by qualified and specialised personnel. Connect the machine to an earthed power supply.

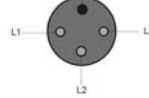
3.4.1 - Three-phase machine 380 Volt-50Hz and three phase machine 220 Volt-50 Hz

The machine is equipped with a power supply cable with a 4 x 1 mm section fitted with a four-pole three-phase plug.

Questo è collegato ad una spina trifase quadripolare.

Allacciare il cavo alla rete di alimentazione trifase interponendo un interruttore differenziale magnetotermico da 16 Ampère.

Connect the cable to the single-phase power supply and mount a 16 amp thermomagnetic differential switch.



3.4.2 - Single-phase machine 220 Volt-50 Hz

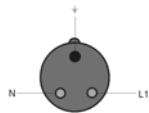
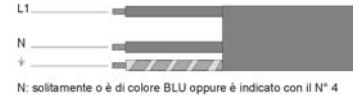
The machine is equipped with a power supply cable with a 3 x 1,5 mm section fitted with a three-pole single-phase plug.

Connect the cable to the 220 Volt-50 Hz single-phase power supply and mount a 16 amp thermomagnetic differential switch. For installations where the mains voltage is different to the voltage indicated on the rating plate, before installing contact the manufacturer.

If the power supply cable is too short use a longer cable with the same specifications and section as the cable supplied by the manufacturer.

To check wiring and machine connection refer to paragraph 5.1.

If the machine is to be moved to another location, disconnect it from the mains to avoid damaging the power supply cable.



4 Controls and Indicator Lights

4.1 - List of controls and indicator lights

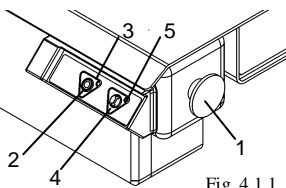


Fig. 4.1.1

1 - Emergency stop hit button

- Colour: red.
- Press it to stop the machine instantly.
- To reset and restart the machine, release the emergency stop button by turning it clockwise

2 - Stop pushbutton

- Colour: black (red for old models)
- Press to stop blade motor.

3 - Power indicator light

- Colour: green
- indicates the machine is powered.
- This light is incorporated in the stop button "1", it is green and when on indicates the machine is powered.

4 - ON Pushbutton

- Colour: grey (green for old models)
- Press it to start the cutting blade.

5 - Indicator light "on"

- Colour: red.
- It indicates that the cutting blade is operating.
- It is positioned near the start pushbutton "4", it is red and visible only with the blade working.

5 Starting and Stopping

5.1 - Checking power supply connection

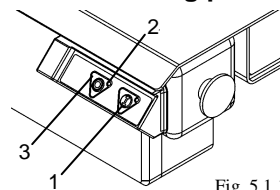


Fig. 5.1.1

Switch the general power switch (differential switch) which is installed on the power supply line to the machine to position "I".

The green indicator light "2" must be on, this indicates that the machine is powered.

Press the on pushbutton "1" and immediately afterwards the stop pushbutton "3" to check blade rotation. The blade must rotate in the direction

indicated by the arrows ("G" fig. 1.9.1), that is towards the worktop.

If the blade rotates in the opposite direction, switch the general power switch to position "0". This isolates (disconnects) the machine from the mains power supply. Invert a wire in the plug and repeat foregoing check procedure (paragraph 5.1).

Note: For machines connected to a single-phase power supply, blade rotation is preset in the factory.

5.2 - Checking efficiency and fitting of safety devices and protections

A - Check microswitch "6" efficiency (fig. 5.2.1)

With the machine connected to the mains and blade working, open the snap-lock "2" to open casing "1". Slightly open the casing until the microswitch "6" cuts-in. By doing this the machine stops immediately to prevent objects or hands coming into contact with the pulleys and moving blades. Close the casing "1" and close the snap-lock "2". The machine should not automatically restart when the casing is closed, to start press the start button. If there is a fault in the microswitch, turn the machine off and contact the service centre.

B - Checking emergency stop push-button "3" efficiency (fig. 5.2.1)

Connect the machine to the power supply and with the blade rotating, press the emergency push-button "3". The machine has to stop in 4 seconds.

C - Mobile blade safety guard (pusher) "5" fig. 5.2.1

Make sure this safety guard is fitted, intact and positioned correctly so as to prevent the operator from coming into contact with the blade.