



Sirman Spa
 Viale dell'Industria 9/11
 35010 PIEVE DI CURTAROLO (PD), Italy
 Tel./Fax. +39 049 9698666 / +39 049 9698688
 email: info@sirman.com

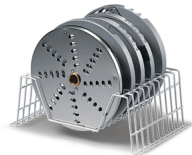


Sirman Vegetable-cutter , model TM2 Inox :

- Aluminium alloy and S/S construction.
- Ventilated motor for continuous operation.
- Thanks to its compact design the machine is easy to install inside every kitchen.
- The exclusive feeding system makes easy to process also soft products like moz-zarella cheese.
- Safe operation is ensured by interlock switches on product pusher, lid and collect-ing tray.
- Version with dishwashing safe S/S lid available.
- Large number of discs available for every purpose.



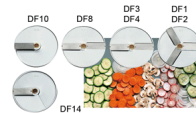
PS dicing disc cleaner



Discs holder



Chute for continuous product ejection



DF



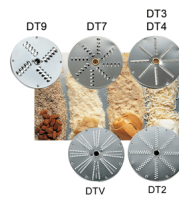
DF 5



DQ

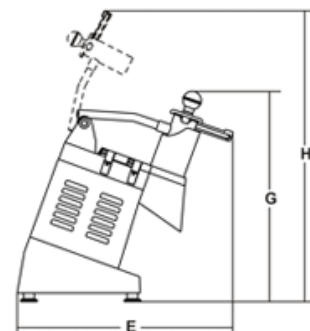
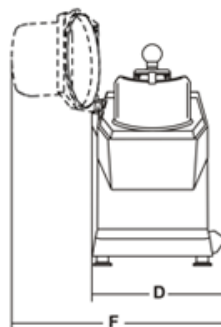
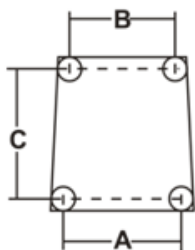


PS



DT

Data sheet



Technical data

Model	TM2 INOX
Power	Watt 515 - Hp 0,7
Power source	230-400V/50Hz
Disc revolutions	r.p.m. 300
A	mm 225
B	mm 195
C	mm 255
D	mm 280
E	mm 510

F	-
G	mm 510
H	mm 770
Net weight	Kg 17,5
Shipping	mm 720x350x500
Gross weight	Kg 21
HS-CODE	84386000