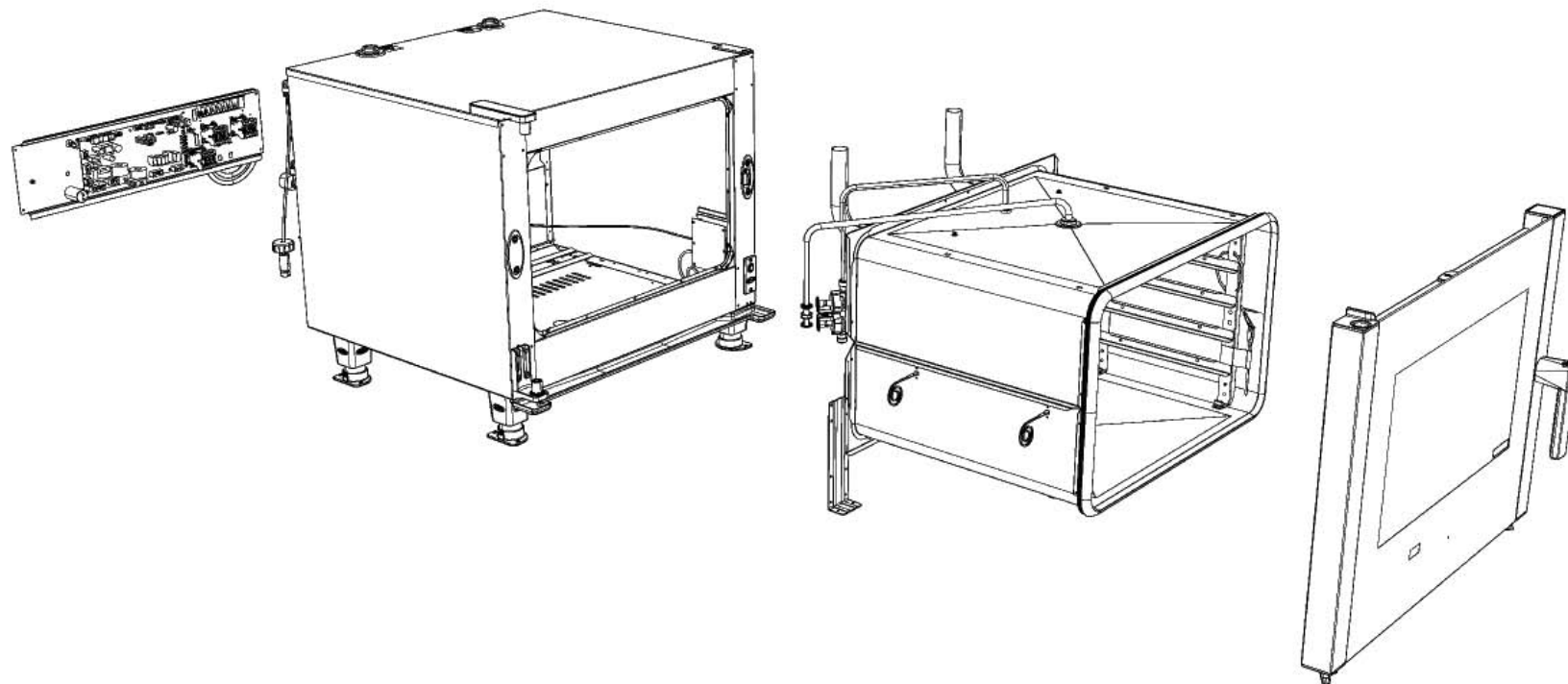
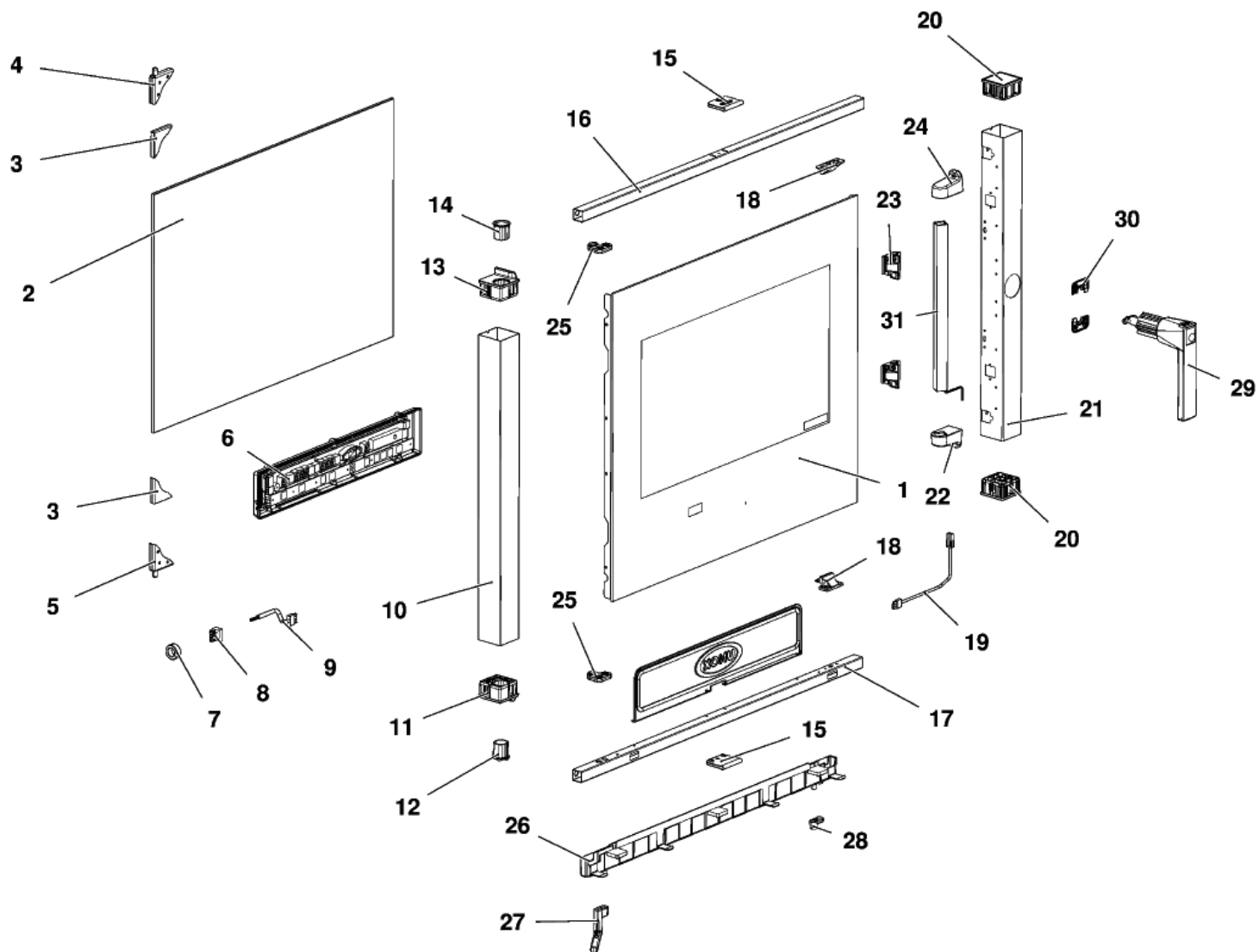


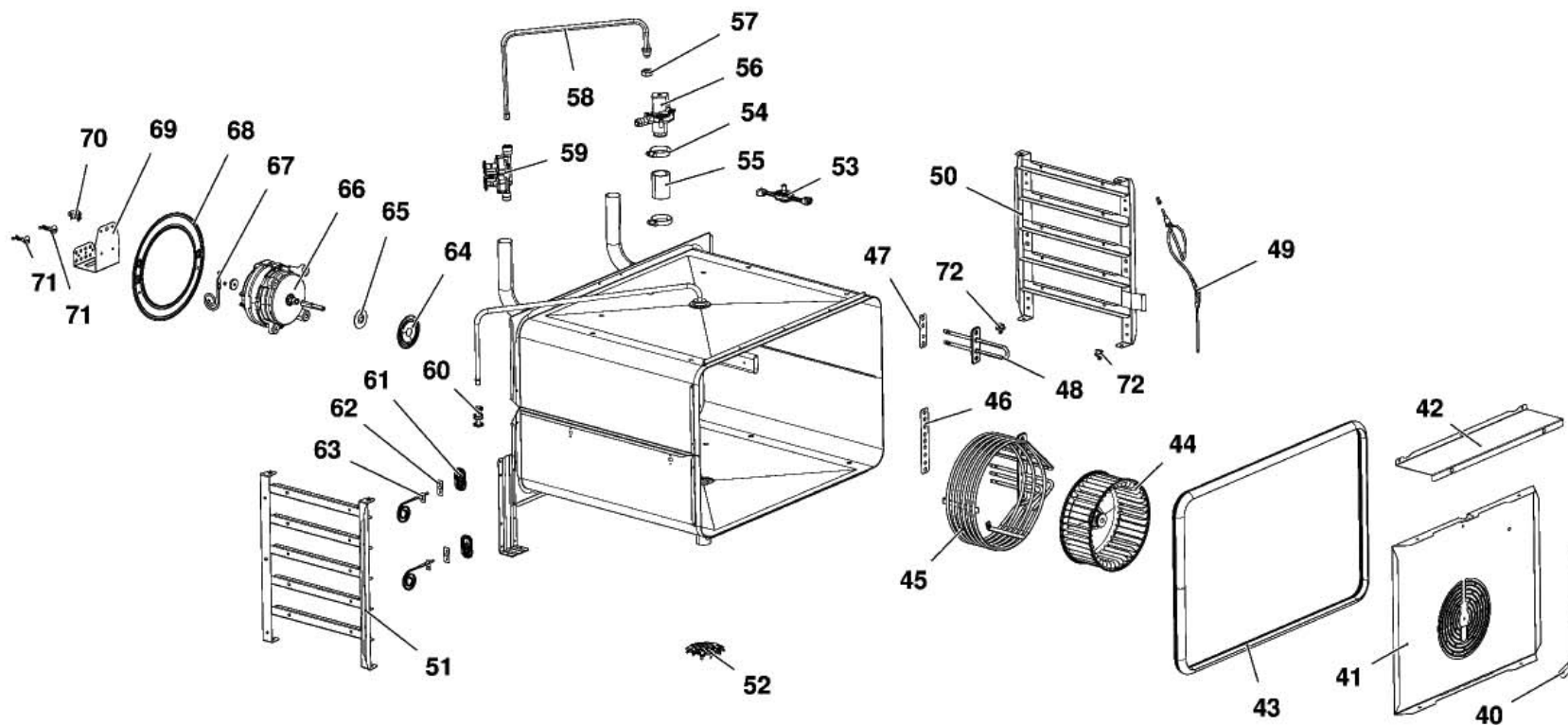
MOD:XVC305E



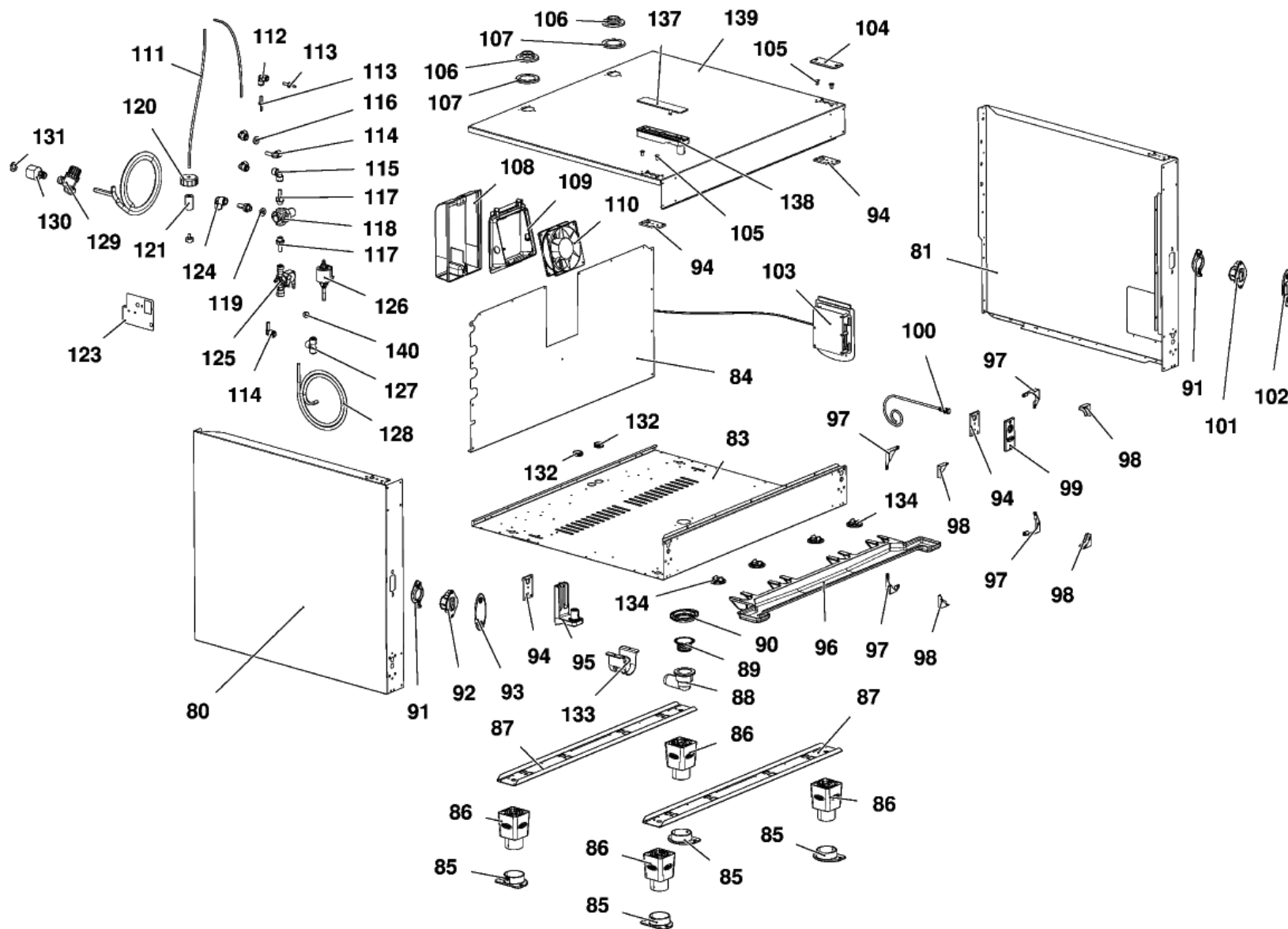
MOD:XVC305E



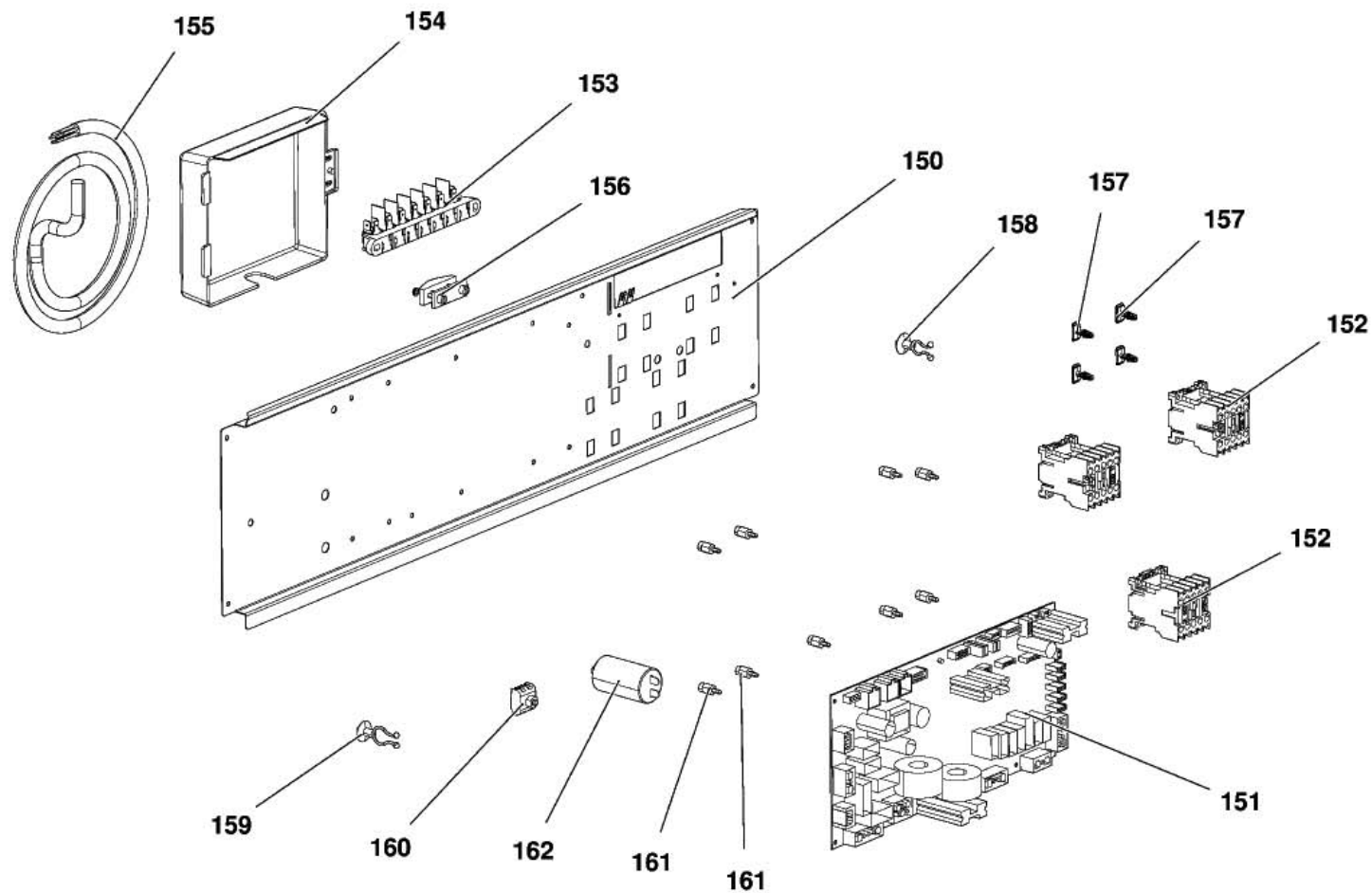
MOD:XVC305E



MOD:XVC305E



MOD:XVC305E



MOD:XVC305E



EN

Codes descriptions

1	VT1096B	XVC305 EXTERNAL GLASS 647X555X4
2	VT1095A	INNER GLASS 633X432X6 BETFL XVC30
3	GN1181A	CR1085-1086 INTERNAL GLASS HINGE
4	CR1085A	INTERNAL GLASS UPPER HINGE
5	CR1086A	INTERNAL GLASS LOWER HINGE
6	PE1740A	CONTROL BOARD PE1705 + BOARD COVE
7	CE1285A	EMI ROUND FERRITE MOD.2643801502
8	CE1290A	EXTRACTABLE FEMALE TERMINAL CPF 5
9	CE1275A	CONNECTION CABLE POWER - CONTROL
10	TB1186A	XVC305 XBC405 ST. ST. LEFT DOOR C
11	VM1171B	XVC204/304/504/70 DOOR LOWER FULC
12	VM1510A	XBC/XVC GROOVED DOOR PIN BUSHING
13	VM1170B	DOOR UPPER FULCRUM-CAP XVC204/304
14	VM1511A	XBC/XVC SLEEK DOOR PIN BUSHING
15	VM2031A	EXTERNAL GLASS PUSHING PLATE
16	TB2325A	XVC305E/505E/705E UPPER LISTEL 20
17	TB2326A	XVC305E/505E/705E LOWER LISTEL 20
18	VM1896A	LOWER GLASS SUPPORT
19	CE1665A	LED 1 MT POWER SUPPLY CABLE
20	VM1175A	DOOR COLUMN BLANKING CAP XVC204/3
21	TB2314A	XVC305E-XBC405E 50X50X1.2 RIGHT C
22	VM1620A	LED BAR LOWER SUPPORT
23	VM2042A	INTERNAL LATERAL GLASS LOCKING SY
24	VM1621A	LED BAR UPPER SUPPORT
25	VM1680A	INTERNAL GLASS HINGE
26	VM1616A	300/500/700 E SERIES DRIP PROFILE
27	VM2014A	LEFT DRIP PROFILE PIPE
28	VM2044A	DRIP PROFILE CAP
29	VM1180A	HANDLE HAFT XVC204/304/504/704
30	VM1490A	CHEFTOP/BAKERTOP HANDLE SCREWS CO
31	LP1001B	LED LIGHTING BAR L300

40	TB2320A	XVC305E/705E INTERNAL WATER PIPE
41	OG1490A	XVC305E FAN GUARD
42	OG1493A	XVC305E/705E FAN GUARD SPACER
43	GN1389B	GN1000B - XVC304/305 DOOR SEAL
44	VN1030A	MOTOR FAN D196 H81 39 BLADE NUT M
45	RS1205A	5600W 230V D230 6 TURNS HEATING E
46	GN1085A	HEATING ELEMENT GASKET 141X24 G6.
47	GN1326A	ELEMENT SEALING
48	RS1215A	147W 105V D230 1 TURN FLAT ELEMEN
49	TR1040A	MOLDED CORE PROBE L=1320
50	GRL1220A	5 GN1/1 ST. STEEL RIGHT LATERAL S
51	GRL1221A	5 GN1/1 ST. STEEL LEFT LATERAL SU
52	OH2551A	XBC/XVC ST.STEEL DRAIN COVER
53	VL1037A	WASHING SYSTEM ROTOR
54	RC1378A	HOSE CLAMP
55	TB1956A	TB1520A - EPDM BLACK PIPE L=50
56	VE1135A	VENTURI ACTUATOR 220 V 50/60 HZ S
57	RC1170A	STAINLESS STEEL NUT M14 H=8 CH=22
58	TB1515A	EXTERNAL WATER PIPE + RC1165A0
59	EL1361A	J.G. THREE-STAGE SOLENOID VALVE D
60	EL1055A	INTERMEDIATE REDUCTION FROM D=10
61	VM1465A	CHEFTOP TEMPERATURE PROBE COVER
62	GN1285A	NTC TEMPERATURE PROBE SEALING
63	TR1105A	PT100 TEMPERATURE PROBE L1000
64	OH4305A	ST. STEEL MOTOR SHAFT SEALING DIS
65	GN1140A	MOLDED MOTOR SUPPORT GASKET
66	VN1130A	330W 230V 50/60HZ MOTOR
67	PE1710A	MOTOR REVOLUTIONS SENSOR
68	OH3586A	ZINCATE MOTOR GUARD PLATE XBC-XVC
69	OH4851A	BRACKET SUPPORT WIRING HARNESS ST
70	RC1310A	140X4 CLAMP WITH CLIP

71	VM1610A	CLIP TWIST LOCK DIAM. 7,6-10,2 MM
72	VM1820A	LATERAL SUPPORTS M6 FIXING BOLTS
80	OD2176A	XVC305E EXTERNAL LEFT SIDE
81	OD2177A	XVC305E RIGHT SIDE
83	OE1318A	XVC305E/505E/705E EXTERNAL BOTTOM
84	OF1450A	XVC305E EXTERNAL BACK PANEL
85	PD1063A	CT BT FOOT BLOCKING BRACKET
86	PD1060A	CT BT FOOT FIX COMPONENT
87	OH1019A	BRACKET FOR CHEFTOP H100 FEET
88	VL1026A	BEND FOR DRAIN PIPE
89	GN1400A	U-TRAP SEAL
90	VM2039A	DRAIN BEND FIXING RING
91	VM1192A	CT BT RIGHT DOOR SPRING LATCH COV
92	VM1191A	CT BT LEFT DOOR SPRING LATCH
93	VM1461A	XBC/XVC LEFT DOOR LATCH CAP
94	OH2560A	XBC/XVC ZINC PLAT. DOOR COUNTERBR
95	VM1160B	CT BT DOOR LOWER BRACKET
96	VM1991A	DRIP TRAY
97	OH1450A	XB-XV-XG ST. STEEL MUFFLE FRONT C
98	VM1008A	GASKET SUPPORT INTERNAL CORNER
99	VM1201A	MAGNETIC SUPPORT PLATE FOR DOOR M
100	VE1020A	MAGNETIC DOOR MICROSWITCH
101	VM1190A	CT BT RIGHT DOOR SPRING LATCH
102	VM1460A	XBC/XVC RIGHT DOOR LATCH CAP
103	PE1971A	RJ45 CONNECTION + RESET POINT
104	VM1195A	HOLES BLANKING PLATE XVC204/304/5
105	VM1240A	NYLON SUPPORT CAP
106	GN1275A	BLACK SILICON XBC/XVC CHIMNEY SEA
107	OH3790A	CHIMNEY HOLDING PLATE
108	VM1556A	XBC-XVC COOLING FAN GUARD
109	VM1555A	CT BT COOLING DOWN FAN SUPPORT

110	VN1120B	12V COOLING DOWN FAN
111	TB2242A	WASHING SYSTEM PIPE Ø6 2M
112	RC1373A	Ø6F-Ø6F ELBOW FITTING
113	VL1043A	D4 PIPE HOLDER - D6 J.G. TERMINAL
114	EL1195B	D8F-D8M ELBOW CONNECTION
115	EL1185B	D8F-D8F ELBOW FITTING
116	VM2029A	RUBBER WASHER 20X8X4
117	RC1374A	1/4 - Ø8 M CIL. FITTING
118	VL1042A	PRESSURE REDUCER WITH DISTRIBUTOR
119	VM2028A	RUBBER WASHER 20X10X4
120	VL1041A	DETERGENT CAP
121	VL1044A	HOLD DOWN WEIGHT WITH FILTER
123	OH6413A	WATER SYSTEM SUPPORT
124	RC1360A	10 - 10 JG ELBOW FITTING
125	EL1411A	SOLENOID VALVE WITH CHECK VALVE
126	VL1038A	VIBRATION PUMP
127	EL1020A	INTERMEDIATE "T" CONNECTION Ø8
128	TB2235A	Ø8 DETERGENT PIPE COIL
129	VL1034A	Ø10 MESH100 WATER FILTER
130	RC1365A	3/4"-10 JG FEMALE CONNECTION
131	GN1200A	3/4 CONNECTION SEAL D=24 RUBBER+N
132	VM1505A	WALL PASSING WITH DIAPHRAGM
133	VM2035A	DRAIN PIPE SUPPORT
134	VM1220A	CLIP TO FIX DRIP TRAY C.T.
137	VM1166A	CAP FOR DOOR UPPER STIRRUP XVC204
138	VM1165B	CT BT DOOR UPPER BRACHET
139	OD2175A	XVC305E/505E/705E EXTERNAL COVER
140	VM1630A	INTERNAL GLASS PUSHING CAP
150	OH6456A	XVC305E/505E/705E COMPONENTS HOLD
151	PE1725D	E SERIES CHEFTOP-BAKERTOP POWER C
152	VE1115A	MINI CONTACTOR WITH 4 POLES 20 A 2

153	MR1004A	TERMINAL 7FTW GV V0 VL CU 1+2+3/4
154	VM1310A	COVER FOR TERMINAL BOX XB/XV/XVC/
155	CE1355A	CABLE 5 X 2,5 MMQ H07RNF L = 1,5
156	VE1075A	CABLE PRESS FV 268 RO
157	VM1075A	PLASTIC CLIP TO FIX CONTACTORS
158	VM1610A	CLIP TWIST LOCK DIAM. 7,6-10,2 MM
159	VM1605A	CLIP TWIST LOCK DIAM. 10,2-12,7 M
160	VM1750A	TERMINAL BOARD
161	VM1745A	BOARD SUPPORT
162	VE1110A	CONDENSER 6,3 7F 450VAC 50/60HZ