



**Ice Machine Parts List for
Series HT1000 Models**

HT 系列制冰机零件手册

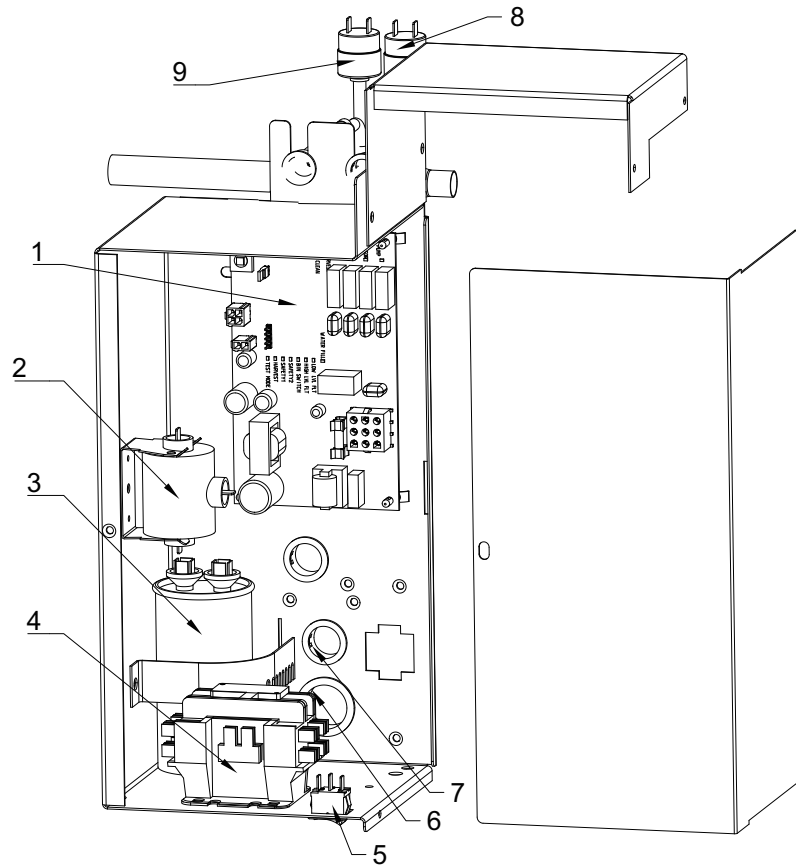
HT1000A-251

HT1000W-251

HT1000A-261

HT1000W-261

HT1000 CONTROL BOX 控制箱部分

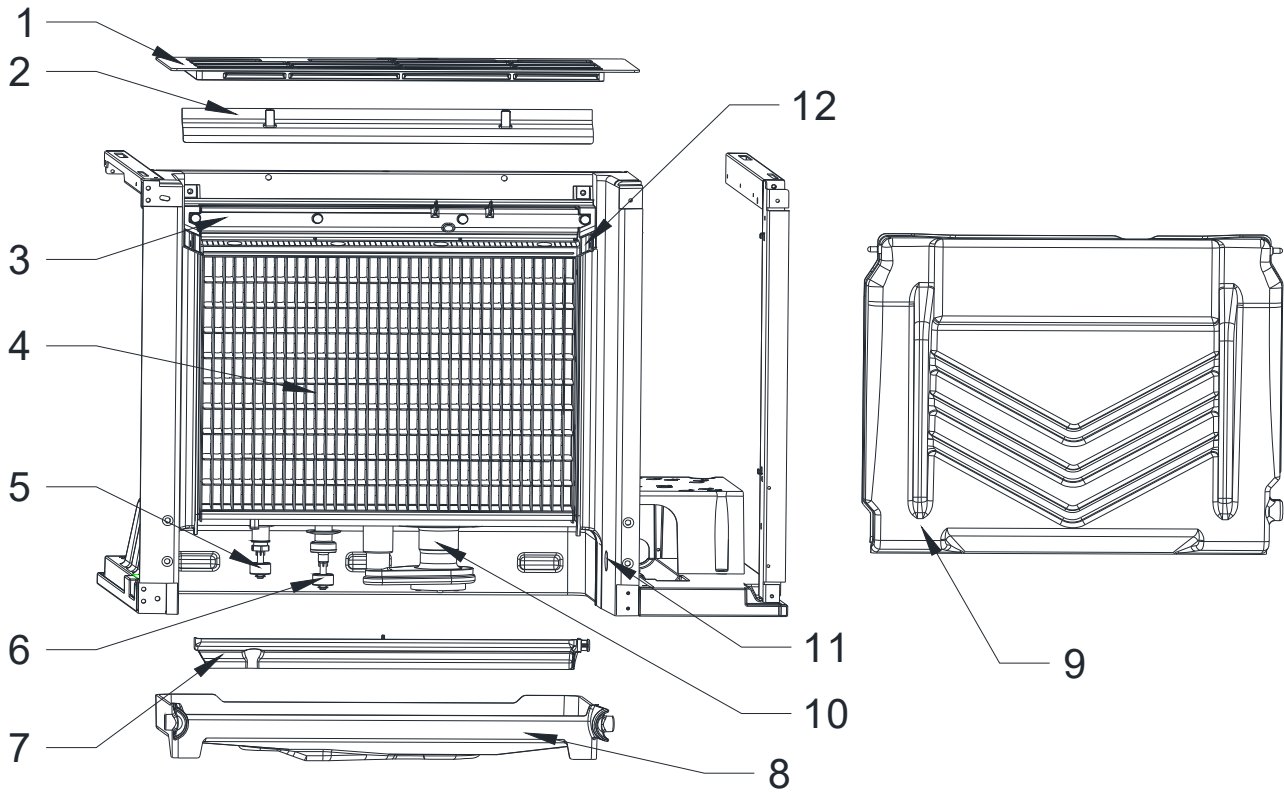


DESCRIPTION 描述

PART NO. 零件号码

1	Control Board 控制板	000015302
2	PTCR-12AMP	000014323
3	Run Capacitor 运行电容 -230V/50HZ	000010708
4	Run Capacitor 运行电容 -230V/60HZ	000011640
5	Contactor 接触器 230V/50-60HZ	2006599
6	Toggle Switch 功能开关	2007939
7	Bushing 套管 1.187"	2500019
8	Bushing 套管 0.875"	2501409
9	High Pressure Cut-out 高压切断开关	000013576
10	Fan Cycle Control 风扇循环控制器	000013532
11	Control Box Wiring Harness 控制板线束	040008680
12	Wiring Harness - Compressor 压缩机线束	000011182
13	Wiring Harness -Toggle Switch 功能开关线束	000010724
14	Wiring Harness -Float Switch to Control Box 浮球开关至控制箱线束	000010511
15	Wiring Harness -Air-cooled 空冷线束	000007185
16	Wiring Harness -Water-cooled 水冷线束	000007177

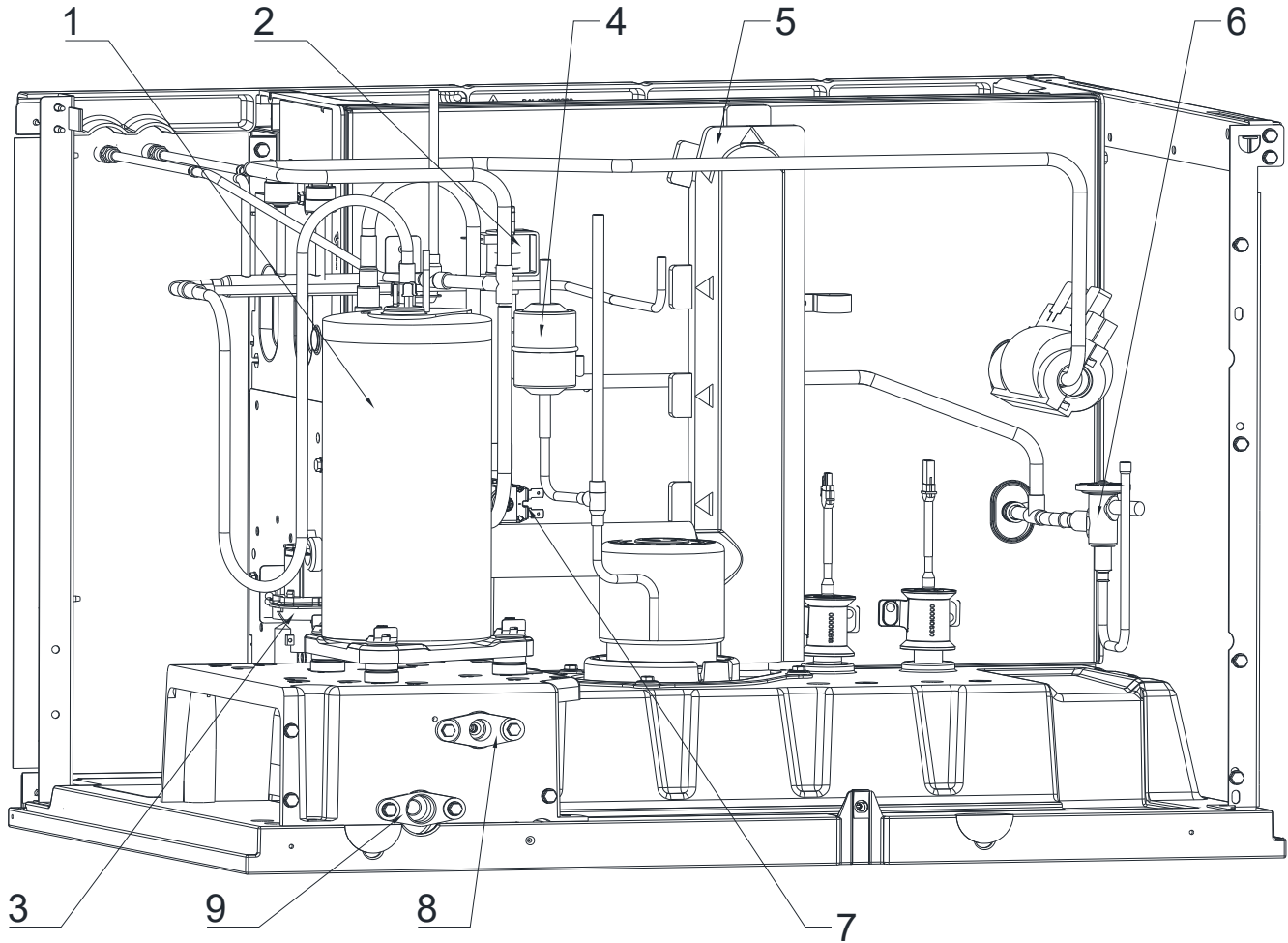
HT1000 EVAPORATOR ASSEMBLY 蒸发器部分



DESCRIPTION 描述

	PART NO. 零件号码
1 Foodzone Seal Panel 制冰区密封板.....	040006670
2 Evaporator Top Filler Panel 蒸发盘顶部密封条.....	3006729
3 Water Distributor 分水管 -30"L.....	040008773
a. Thumbscrew SS 指旋螺钉 - #8-32 x 0.375".....	5004799
b. O-ring O 型圈.....	5004649
4a Evaporator-Dice Cube 方块冰蒸发盘.....	040008884
4b Evaporator-Half Dice Cube 半方块冰蒸发盘.....	040008885
5 Ice Thickness Float 冰厚浮子开关.....	000012651
6 Harvest Float 收冰浮子开关.....	000012649
7 Water Diverter 水导流板 -30".....	040008777
8 Water Trough 水槽.....	040008787
9 Water Curtain 水帘板.....	040008788
10a Water Pump 水泵 230V/50HZ.....	2008119
10b Water Pump 水泵 230V/60HZ.....	2008109
a. Water Pump Base O-Ring - 水泵底座 O 型圈.....	5004659
b. Water Pump Outlet O-Ring - 水泵出口 O 型圈.....	5004679
11 Magnetic Bin Switch 箱体开关.....	000010510
12 Evaporator Top Frame Assembly 蒸发盘顶部支架.....	040008880

HT1000 REFRIGERATION COMPARTMENT – COMMON PARTS 制冷通用件部分

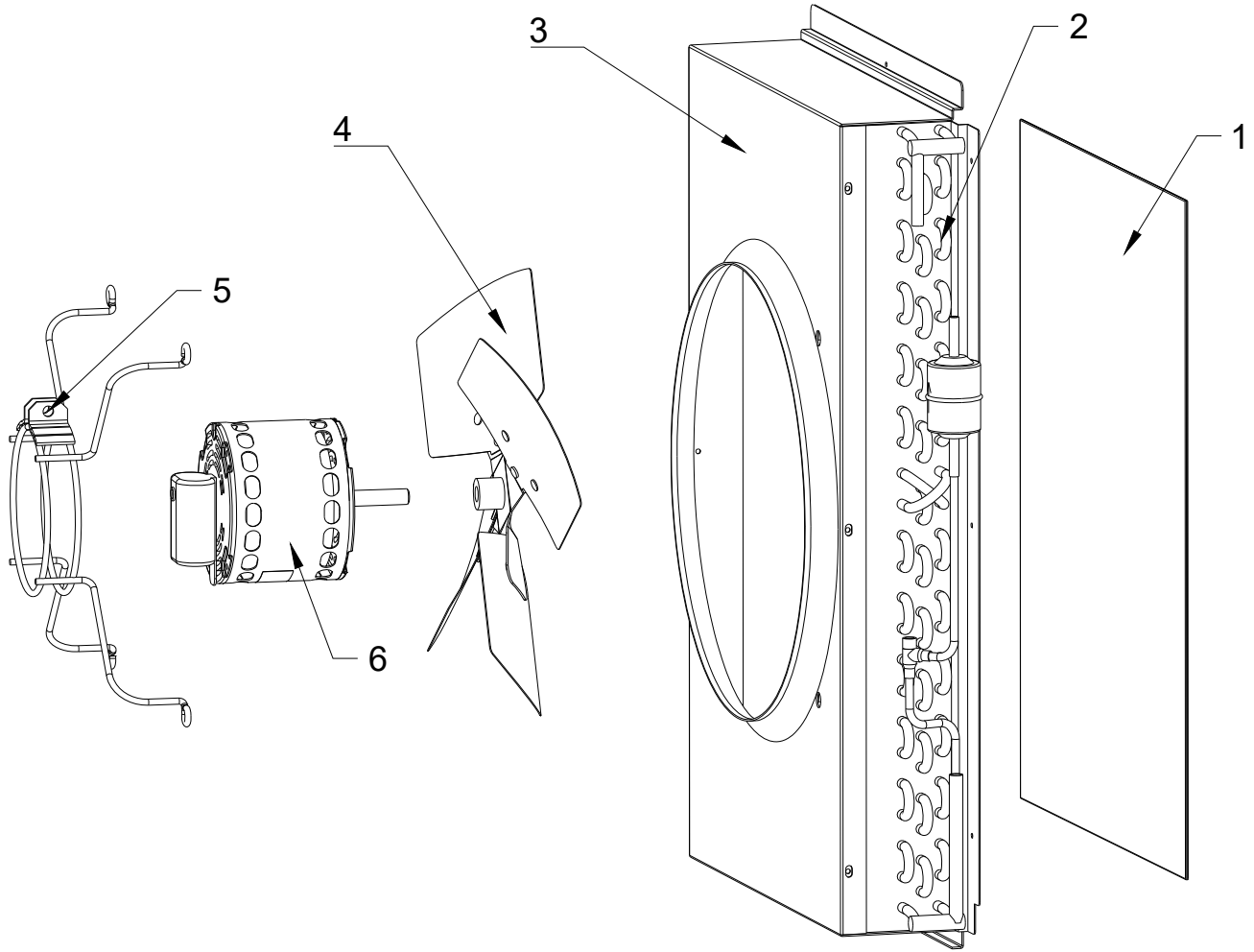


DESCRIPTION 描述

PART NO. 零件号码

1a	Compressor 压缩机 208-230V/50 Hz/1 Ph	040004804
1b	Compressor 压缩机 208-230V/60 Hz/1 Ph	040007381
2	Solenoid Valve with Electrical Coil 收冰电磁阀 208-230V/50-60 Hz.	000007015
a.	Solenoid Valve Coil Only 电磁阀线圈	000005157
3	Water Dump Valve 排水阀 208-230V/50-60 Hz	000001768
4	Drier 干燥过滤器	000015033
5	Insulated Tube 蒸发盘上水管套件	000015404
6a	Expansion Valve-50HZ Air-Cooled 膨胀阀 -50HZ 风冷.	000012467
6b	Expansion Valve-60HZ Air-Cooled 膨胀阀 -60HZ 风冷.	000015025
7	Water Inlet Valve-208-230V/50 Hz 进水阀 -208-230V/50 Hz	000009122
8	Female Wing Adapter 连接器 0.375"	000013181
9	Female Wing Adapter 连接器 0.5"	000005423

HT1000 REFRIGERATION COMPARTMENT – AIR-COOLED 风冷制冷件部分

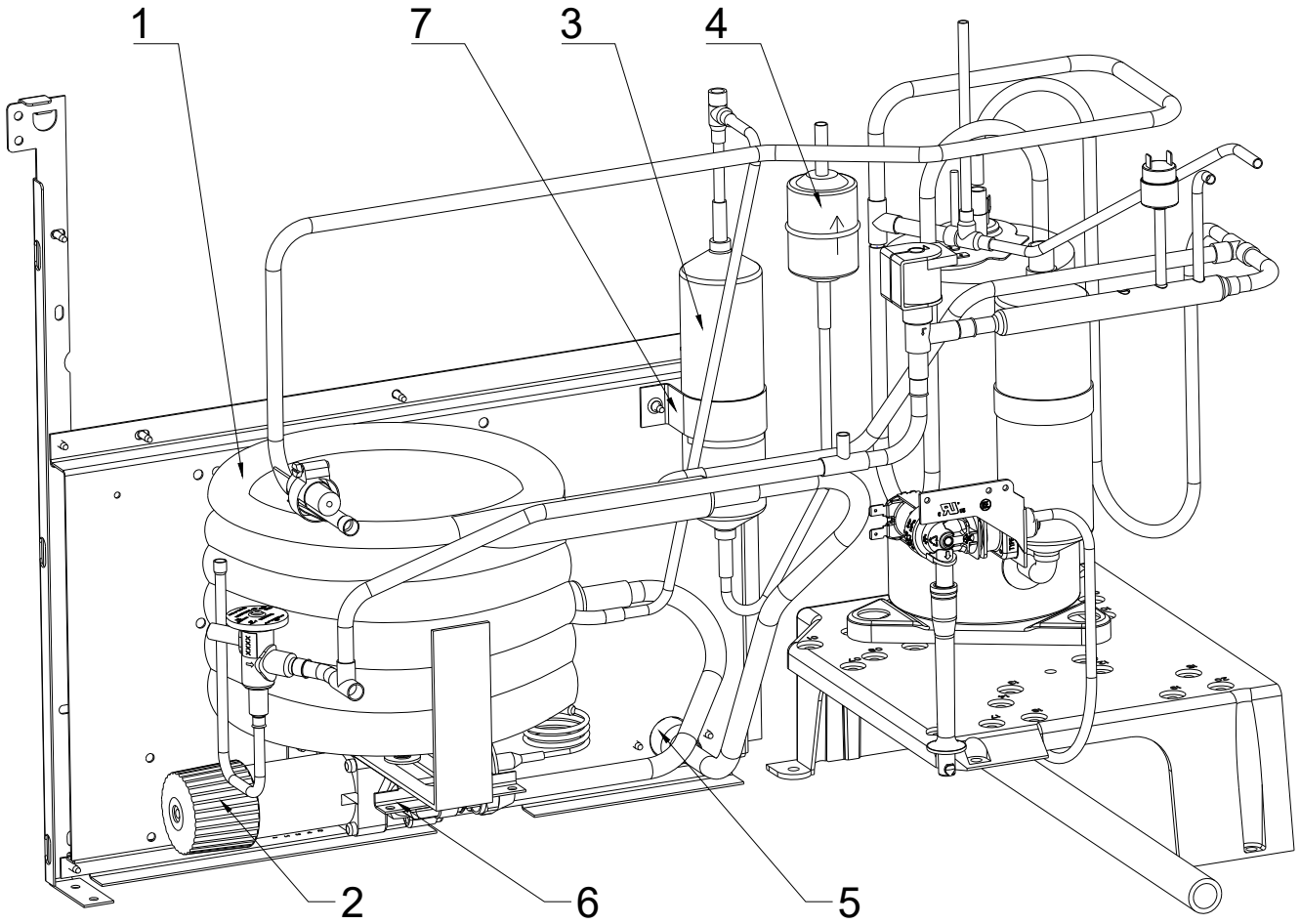


DESCRIPTION 描述

PART NO. 零件号码

1a	Air Filter-50HZ 空气过滤网 -50HZ	4040213
1b	Air Filter-60HZ 空气过滤网 -60HZ	3005553
2a	Air Condenser-50HZ 风冷冷凝器 -50HZ	000011691
2b	Air Condenser-60HZ 风冷冷凝器 -60HZ	000008867
3a	Fan Shroud-50HZ 风扇护罩 -50HZ	6068791
3b	Fan Shroud-60HZ 风扇护罩 -60HZ	000010727
4a	Fan Blade-50HZ 风扇叶片 -50HZ	000011108
4b	Fan Blade-60HZ 风扇叶片 -60HZ	2416123
5	Fan Motor Bracket 风扇电机支架	3006843
6a	Fan Motor-208-230V/50 Hz 风扇电机 -208-230V/50 Hz	000011107
6b	Fan Motor-208-230V/60 Hz 风扇电机 -208-230V/60 Hz	2009653
7a	Fan Cycle Control-208-230V/50 Hz 风扇循环控制器 -208-230V/50 Hz	000013532
7b	Fan Cycle Control-208-230V/60 Hz 风扇循环控制器 -208-230V/60 Hz	000013531

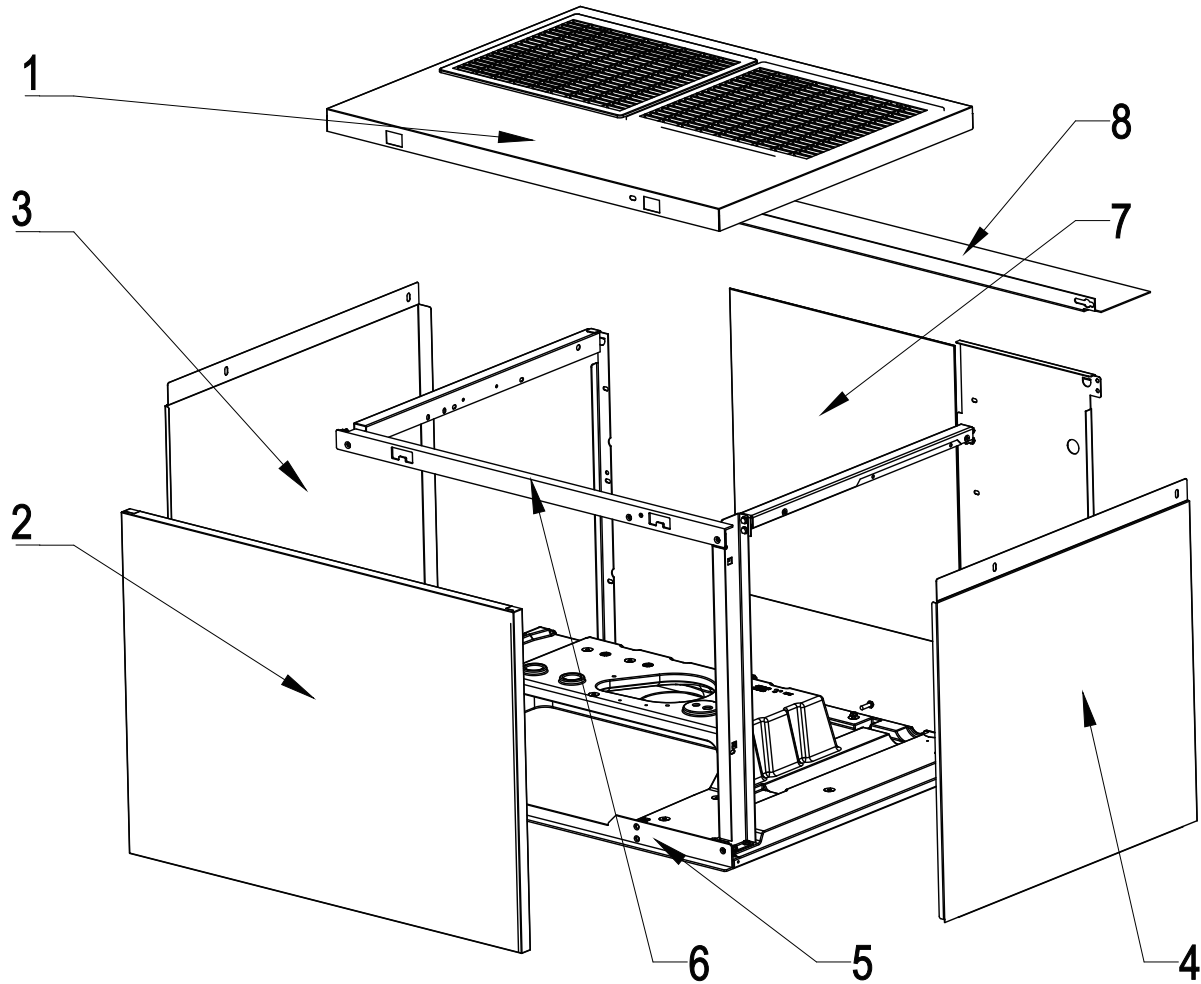
HT1000 REFRIGERATION COMPARTMENT – WATER-COOLED 水冷制冷部件



DESCRIPTION 描述

	PART NO. 零件号码
1 Water-cooled Condenser 水冷冷凝器	040007970
2 Water Regulating Valve 水压调节阀	000013475
3 Receiver 储液罐	000008893
4 Drier 干燥过滤器	000015033
5 Female Wing Adapter - 0.50"	8706083
6 Base 基座	000010604
7 Receiver Strap 储液罐固定带	6000541

HT1000 PANELS 面板部分



DESCRIPTION 描述

PART NO. 零件号码

1	Top Cover 顶盖板	040008881
2	Front Panel 前面板	040008883
	a. Tape Extruded Door 前面板密封胶	040008359
3	Left Side Panel 左侧板	040008690
4	Right Side Panel 右侧板	040008691
5	Bottom Door Frame 前下支架	040008678
6	Front Top Support 前上支架	040008683
7	Air Filter-50HZ 空气过滤器 -50HZ	4040213
8	Air Baffle Assembly 空气挡板	040008607