



**Ice Machine Parts List for  
Series HT0700 Models**

**HT 系列制冰机零件手册**

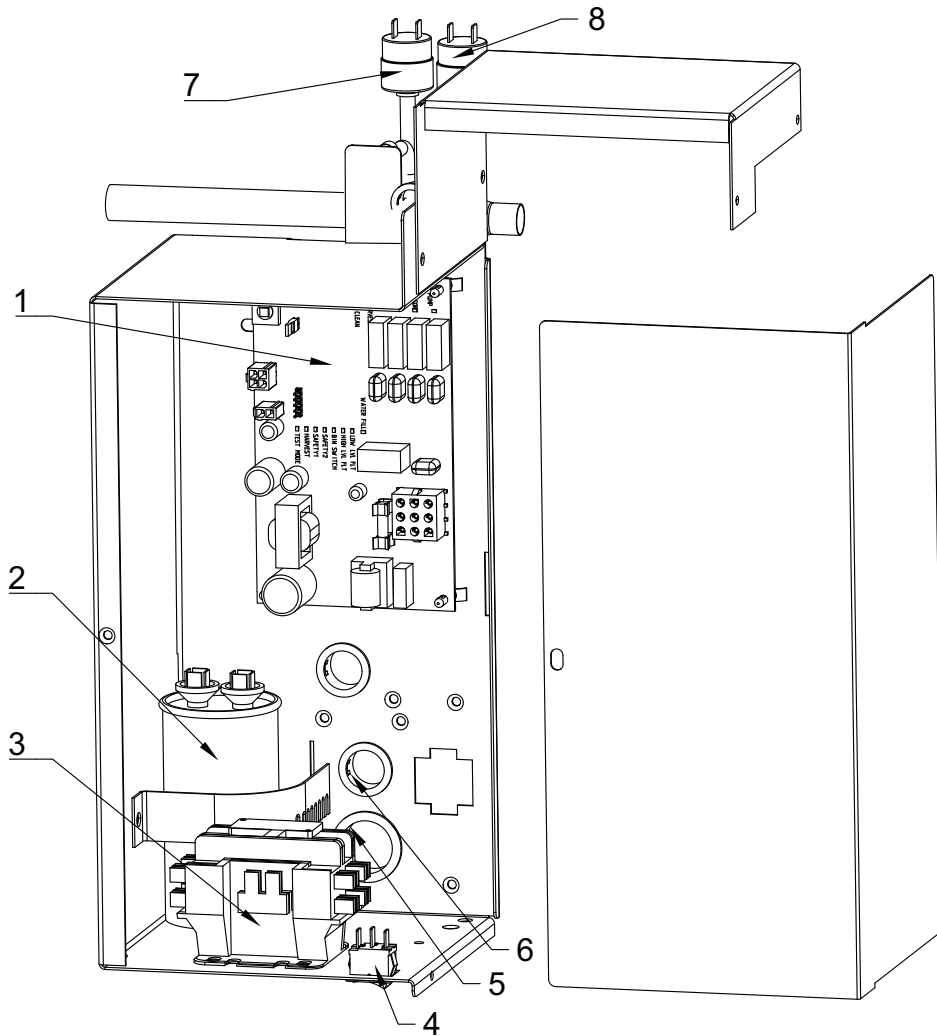
**HT0700A-251**

**HT0700W-251**

**HT0700A-261**

**HT0700W-261**

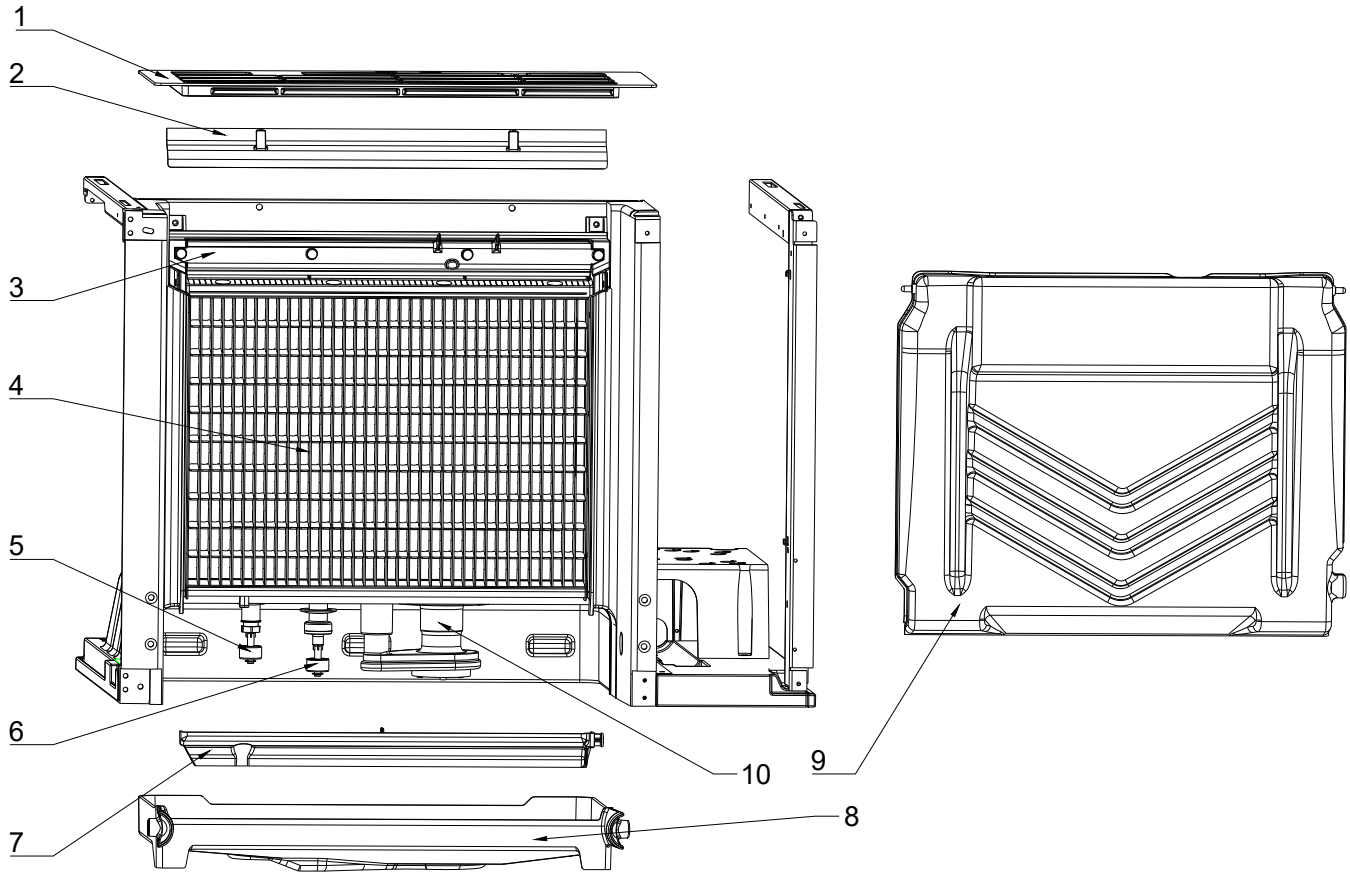
## HT0700 CONTROL BOX 控制箱部分



### DESCRIPTION 描述

DESCRIPTION 描述	PART NO. 零件号码
1 Control Board 控制板	000015302
2a Run Capacitor 运行电容 -230V/50-60HZ	2010133
2b Run Capacitor 运行电容 -230V/60HZ	000010717
3 Contactor 接触器 230V/50-60HZ	2006599
4 Toggle Switch 功能开关	2007939
5 Bushing 套管 1.187"	2500019
6 Bushing 套管 0.875"	2501409
7 Fan Cycle Control 风扇循环控制器	000013531
8 High Pressure Cut-out 高压切断开关	000013576
9 PTCR 启动器 -230V/60HZ	000014323
10a Control Box Wiring Harness 控制板线束 -251	040008625
10b Control Box Wiring Harness 控制板线束 -261	040008680
11 Wiring Harness - Compressor 压缩机线束	000011182
12 Wiring Harness -Toggle Switch 功能开关线束	000010724
13 Wiring Harness -Float Switch to Control Box 浮球开关至控制箱线束	000010511
14 Wiring Harness -Air-cooled 空冷线束	000007185
15 Wiring Harness -Water-cooled 水冷线束	000007177

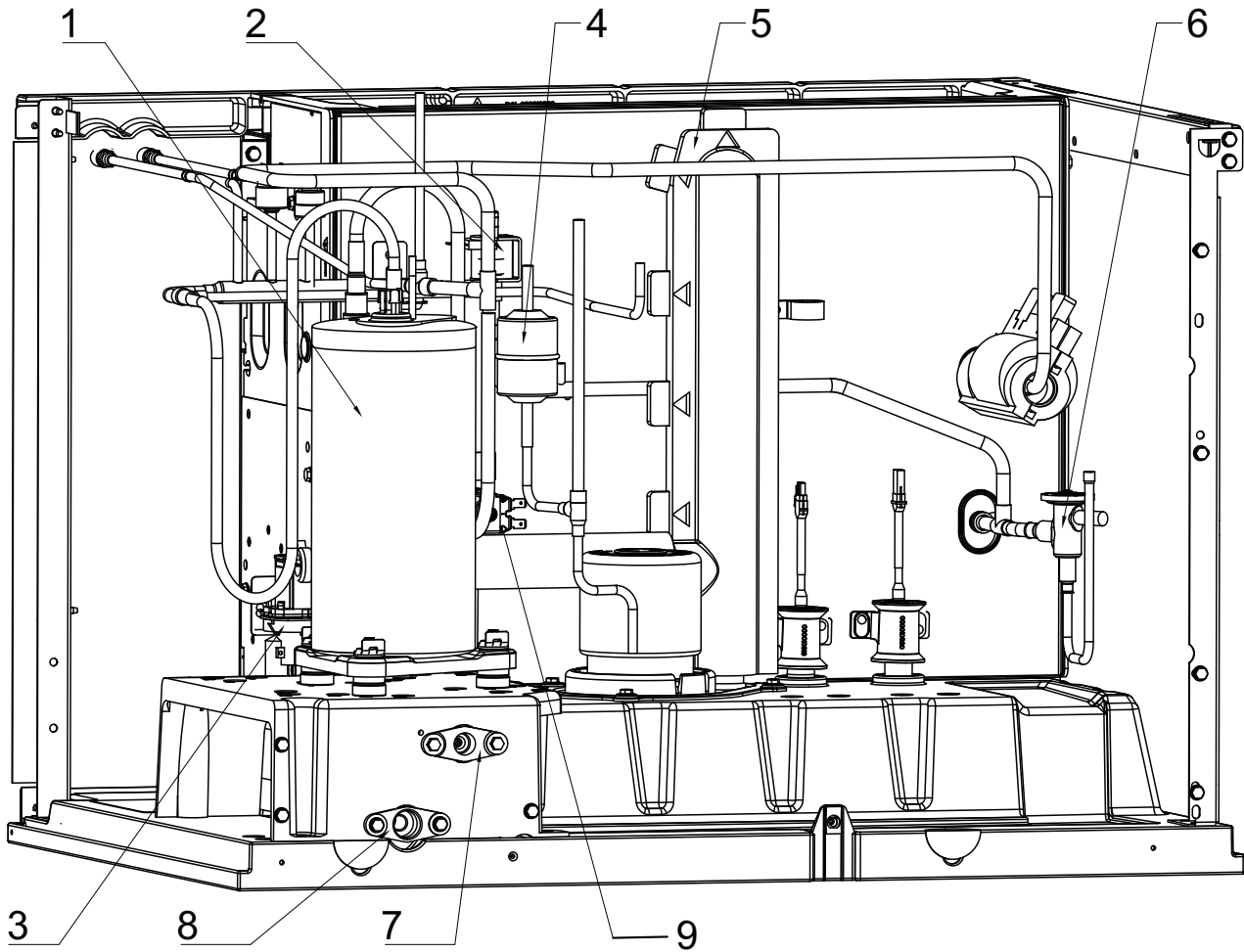
# HT0700 EVAPORATOR ASSEMBLY 蒸发盘部分



## DESCRIPTION 描述

	DESCRIPTION 描述	PART NO. 零件号码
1	Foodzone Seal Panel 制冰区密封板	00009055
2	Evaporator Top Filler Panel 蒸发盘顶部过滤板	04008791
a.	Screw - 螺丝 #10-24 x 0.50" PHIL	5202099
3	Water Distributor 分水管 -30"	04008773
a.	Thumbscrew SS 指旋螺钉 - #8-32 x 0.375"	5004799
b.	O-Ring - O 型圈 0.676" ID	5004649
4a	Dice Cube 方块冰蒸发盘	04008878
4b	Half Dice Cube 半方块冰蒸发盘	04008879
5	Ice Thickness Float 冰厚浮子开关	000012651
6	Harvest Float 收冰浮子开关	000012649
7	Water Diverter-30"Models 水导流板	04008777
8	Water Trough 水槽	04008778
9	Water Curtain 水帘板	04008770
10	Water Pump 水泵 230V/50HZ.	8252109
11a	Water Pump 水泵 230V/50HZ.	8252109
11b	Water Pump 水泵 230V/60HZ.	2007399
a.	Water Pump Base O-Ring - 水泵底座 O 型圈	5004659
b.	Water Pump Outlet O-Ring - 水泵出口 O 型圈	5004679
12	Magnetic Bin Switch 箱体开关	000010510
13	Evaporator Top Frame Assembly 蒸发器顶部支架	04008880

# HT0700 REFRIGERATION COMPARTMENT – COMMON PARTS 制冷 — 通用件部分

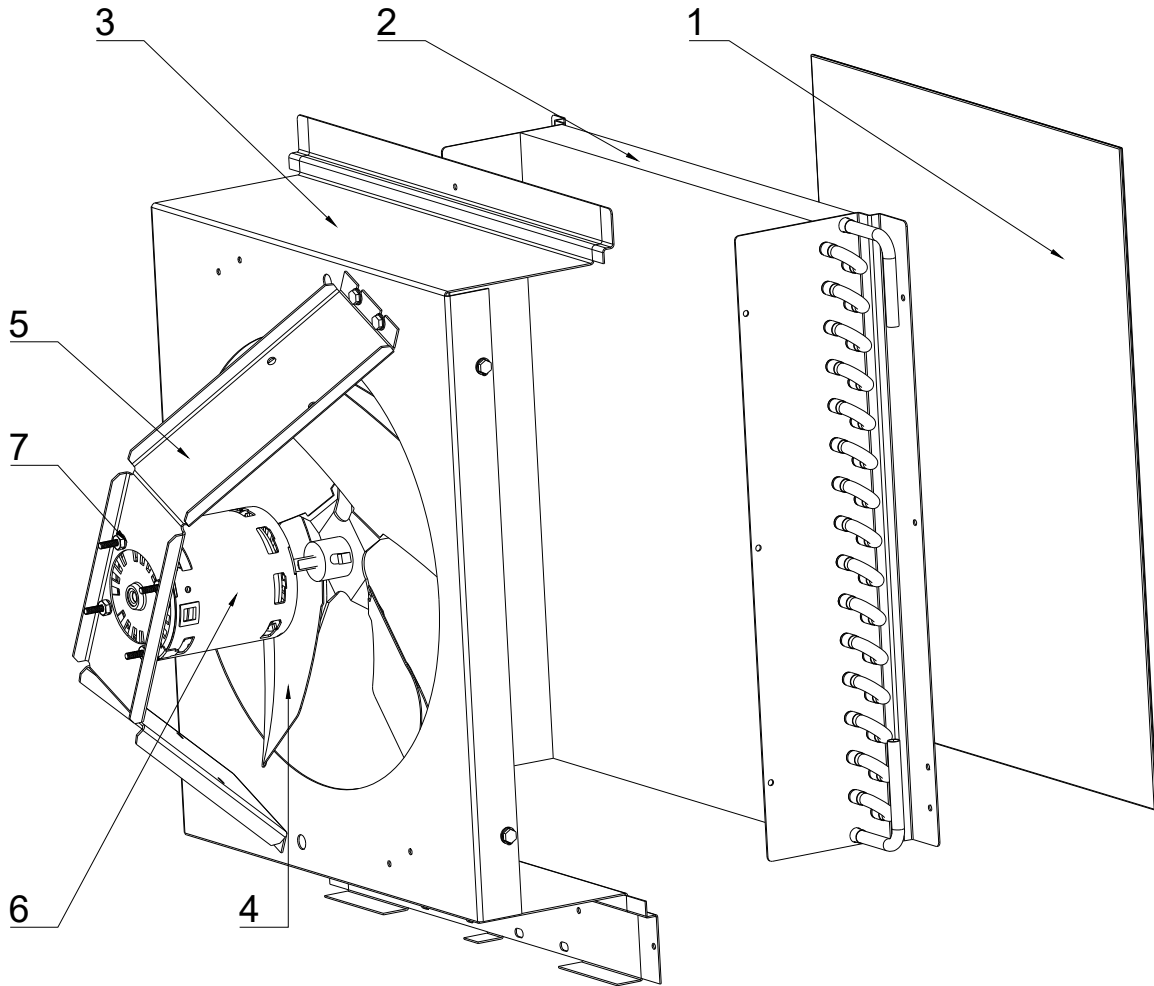


## DESCRIPTION 描述

## PART NO. 零件号码

1a	Compressor 压缩机 230V/50 Hz	040004801
1b	Compressor 压缩机 230V/60 Hz	040007151
2	Harvest Valve with Electrical Coil 收冰阀电磁阀 208-230V/50-60 Hz	000007019
a.	Solenoid Valve Coil Only 电磁阀线圈	000005157
3	Water Dump Valve 排水阀 208-230V/50-60 Hz	000001768
4	Drier 干燥过滤器	000015033
5	Insulated Tube 蒸发盘上水管	000015402
6a	Expansion Valve-For Air-cooled 膨胀阀 -251 风冷机	000015291
6b	Expansion Valve-For Water-cooled 膨胀阀 -251 水冷机	000012224
6c	Expansion Valve-For Water-cooled 膨胀阀 -261	000014280
7	Female Wing Adapter 连接器 0.375"	000013181
8	Female Wing Adapter 连接器 0.5"	000005423
9	Water Inlet Valve-230V/50Hz 进水阀	000009122

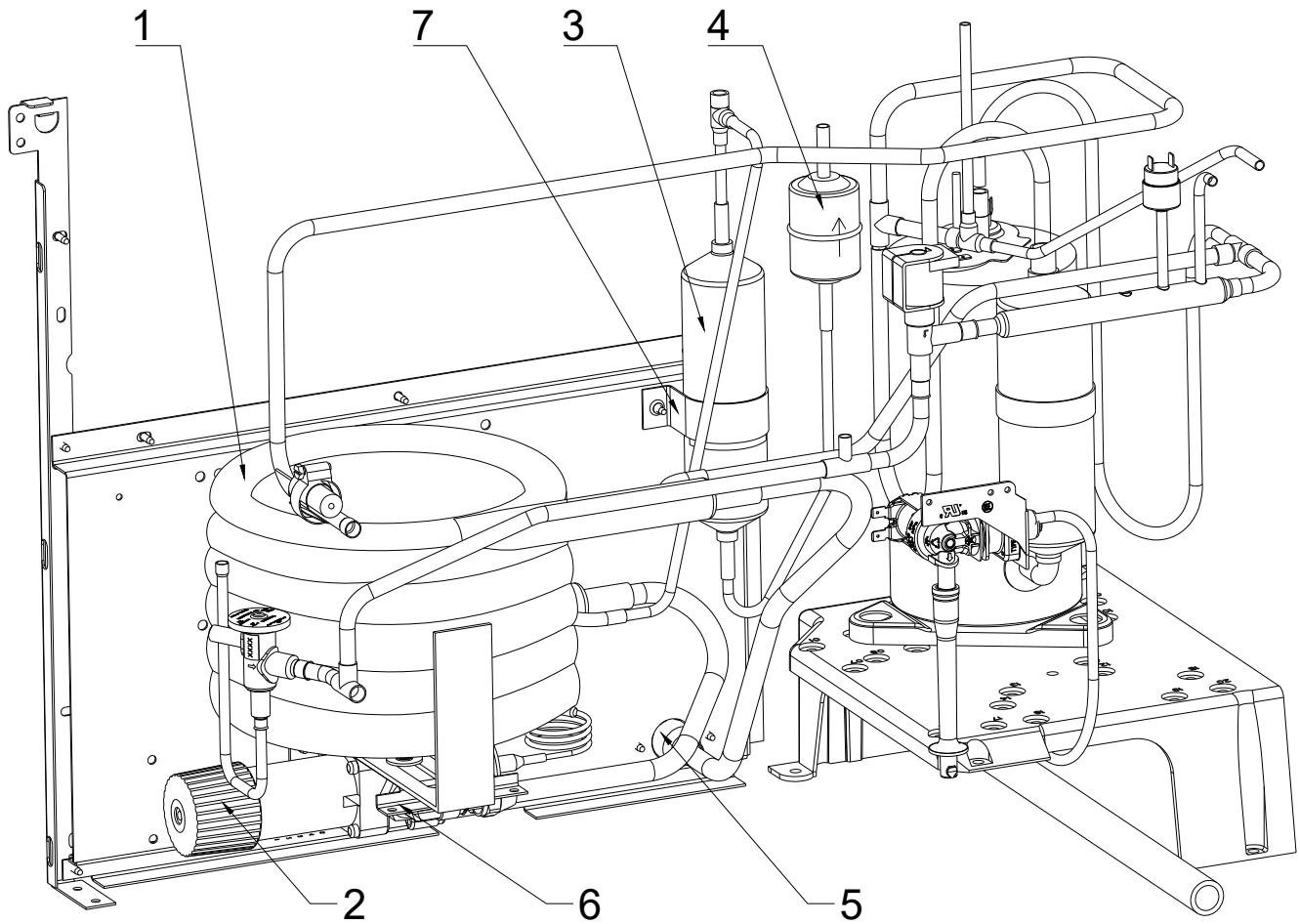
# HT0700 REFRIGERATION COMPARTMENT – AIR-COOLED 制冷 – 风冷部分



## DESCRIPTION

		PART NO.
1	Air Filter 空气过滤器	3005689
2	Air Condenser 空冷冷凝器	000008868
3	Fan Shroud 风扇护罩 -251	000002485
4	Fan Shroud 风扇护罩 -261	040008741
5	Fan Blade 风扇叶片	2416173
6	Fan Motor Bracket 风扇电机支架	000010977
7	Fan Motor 230V/50-60 Hz 风扇电机	2412939
8	Mounting - Nut 固定螺帽	5002993
9	Screw - #10-24 x 0.50" HEX 螺丝	5202069
10	Fan Cycle Control 风扇循环控制器	000013531

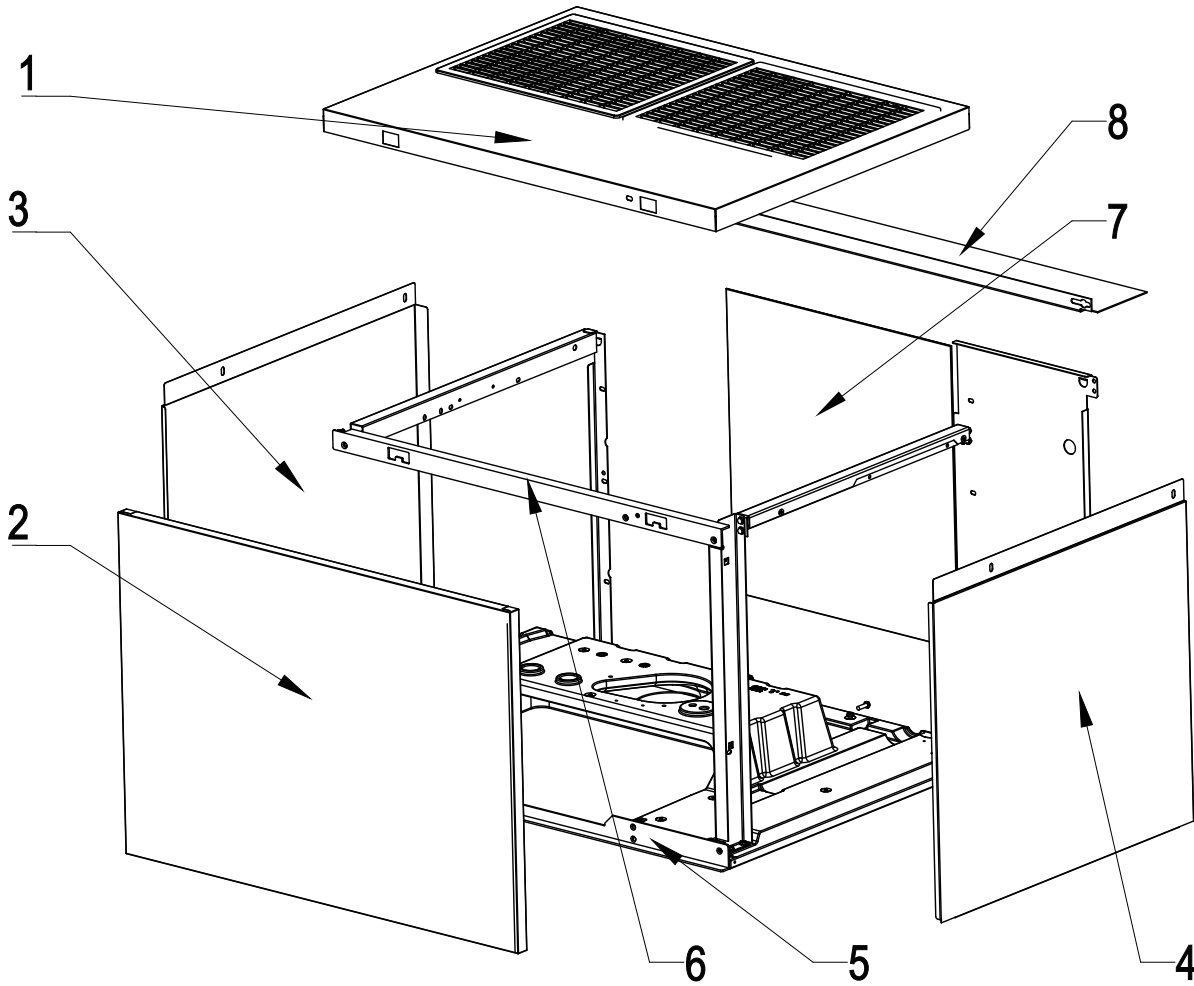
# HT0700 REFRIGERATION COMPARTMENT – WATER-COOLED 制冷 – 水冷部分



## DESCRIPTION 描述

	DESCRIPTION 描述	PART NO. 零件号码
1	Water-cooled Condenser 水冷冷凝器	040007974
2	Water Regulating Valve 水压调节阀	000013475
3	Receiver 储液罐	000008892
4	Drier 干燥过滤器	000015033
5	Female Wing Adapter - 0.50"	8706083
6	Water Condenser Mounting Base 冷凝器底座	000010604
7	Receiver Strap 储液罐固定带	000011051

# HT0700 PANELS



## DESCRIPTION 描述

	DESCRIPTION 描述	PART NO. 零件号码
1	Top Cover 顶盖板 .....	040008881
2	Front Panel 前盖板 .....	040008882
a.	Tape Extruded Door 门板密封胶条 .....	040008359
3	Left Side Panel 左侧板 .....	040008637
4	Right Side Panel 右侧板 .....	040008638
5	Front Top Support 前上支架 .....	040008683
6	Bottom Door Frame 前下支架 .....	040008678
7	Air Filter 空气过滤器 .....	3005689
8	Air Baffle Assembly 空气挡板 .....	040008607